

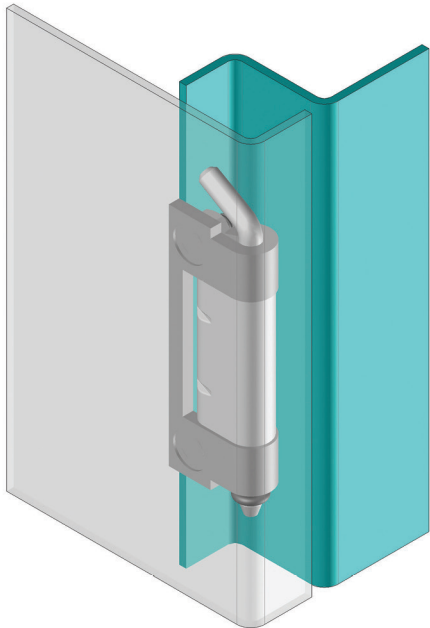
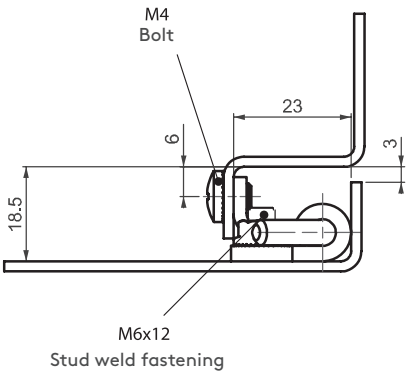
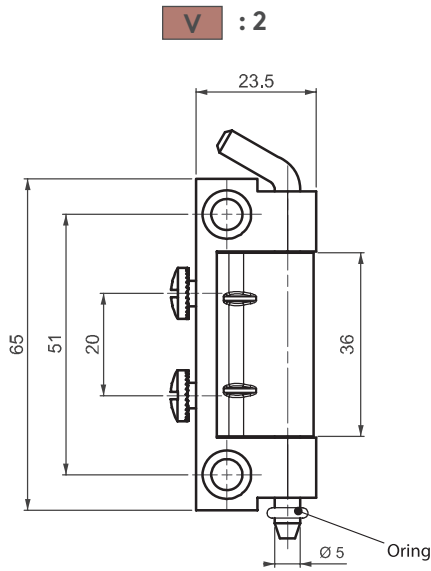


695

CONCEALED HINGE



LH/RH



- Stainless steel version: page 455
- For doors with a bend of 18.5 mm
- Frame part screwed on, door part mounted by nut to welded stud on door
- Suitable for left- and right-hand application

**APPLICATIONS**  
Electric panels, machinery covers

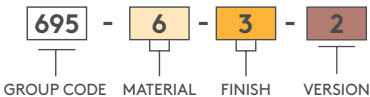
**MATERIAL**  
Steel

**FINISH**  
Zinc plated

Hinge Rotation Angle



PRODUCT CODE



**Note:** Bolts are not supplied