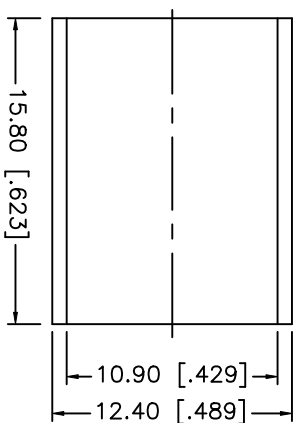
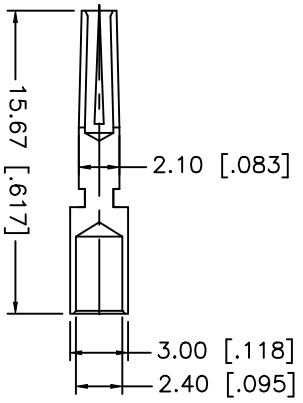
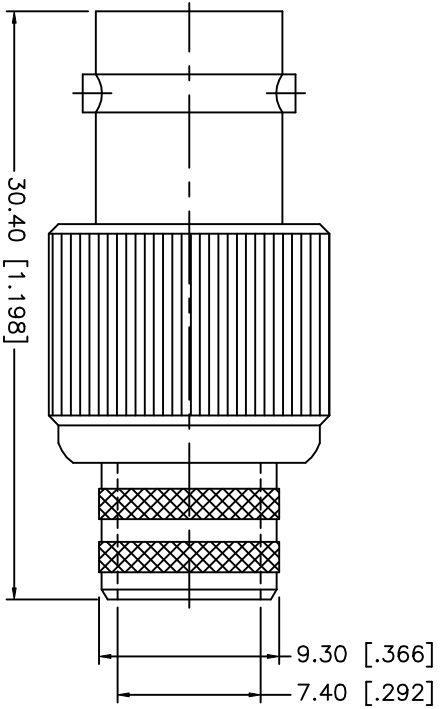
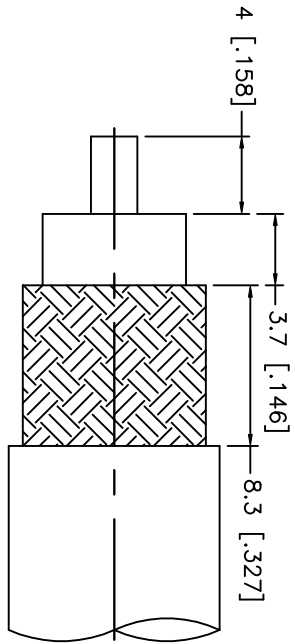


REV.	DATE	DESCRIPTION
NC	07/22/02	INITIAL RELEASE



CRIMP NOTES:

1. CRIMPED FERRULE
HEX CRIMP SIZE .429"
2. CRIMPED CONTACT PIN
HEX CRIMP SIZE .100"

8																			
7																			
6																			
5																			
4	FERRULE	COPPER	NICKEL																
3	CONTACT PIN	PHOS. BRONZE	GOLD																
2	INSULATOR	TEFLON	NATURAL																
1	BODY	BRASS	NICKEL																
	DESCRIPTION	MATERIAL	FINISH																
				UNLESS OTHERWISE SPECIFIED DIMENSIONS ARE IN MILLIMETERS				APPROVALS				DATE							
				DIMENSIONS IN [] ARE IN INCHES FOR CUSTOMER REFERENCE ONLY				DRAWN G.R.S.				07/22/02							
				UNLESS OTHERWISE SPECIFIED TOLERANCES FOR INCHES ARE: .XXX = ± 0.005" .XX = ± 0.010" .X = ± 0.020"				CHECKED											
				DO NOT SCALE DRAWING				ISSUED											
<h1>Amphenol - Connex</h1> <p>CONNECTOR CORPORATION</p> <p>BNC CRIMP JACK (FOR RG-8, 213/U CABLE)</p>																			
TITLE		SIZE		FSOM NO.		DWC. NO.		SCALE		PART NO.		SHEET		REV.					
A		99001		112708.DWG		112708		NA		112708		1 OF 1		NC					