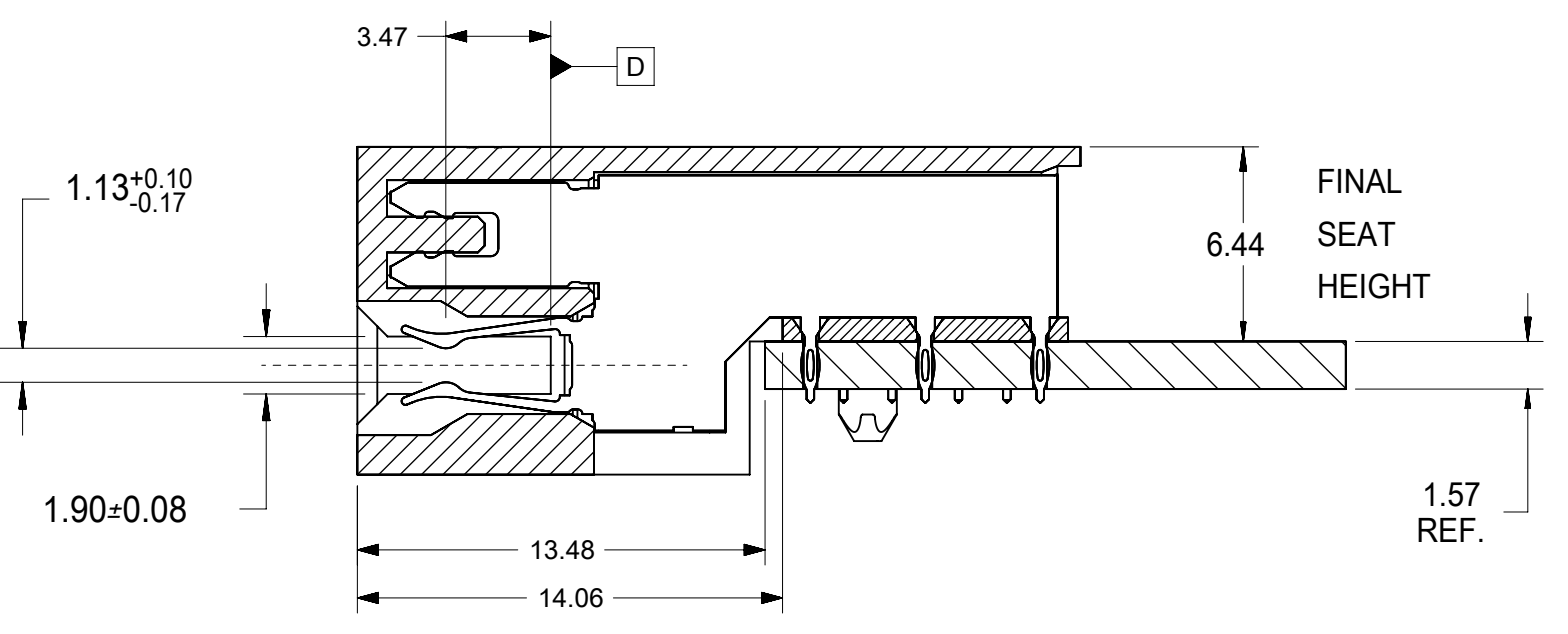
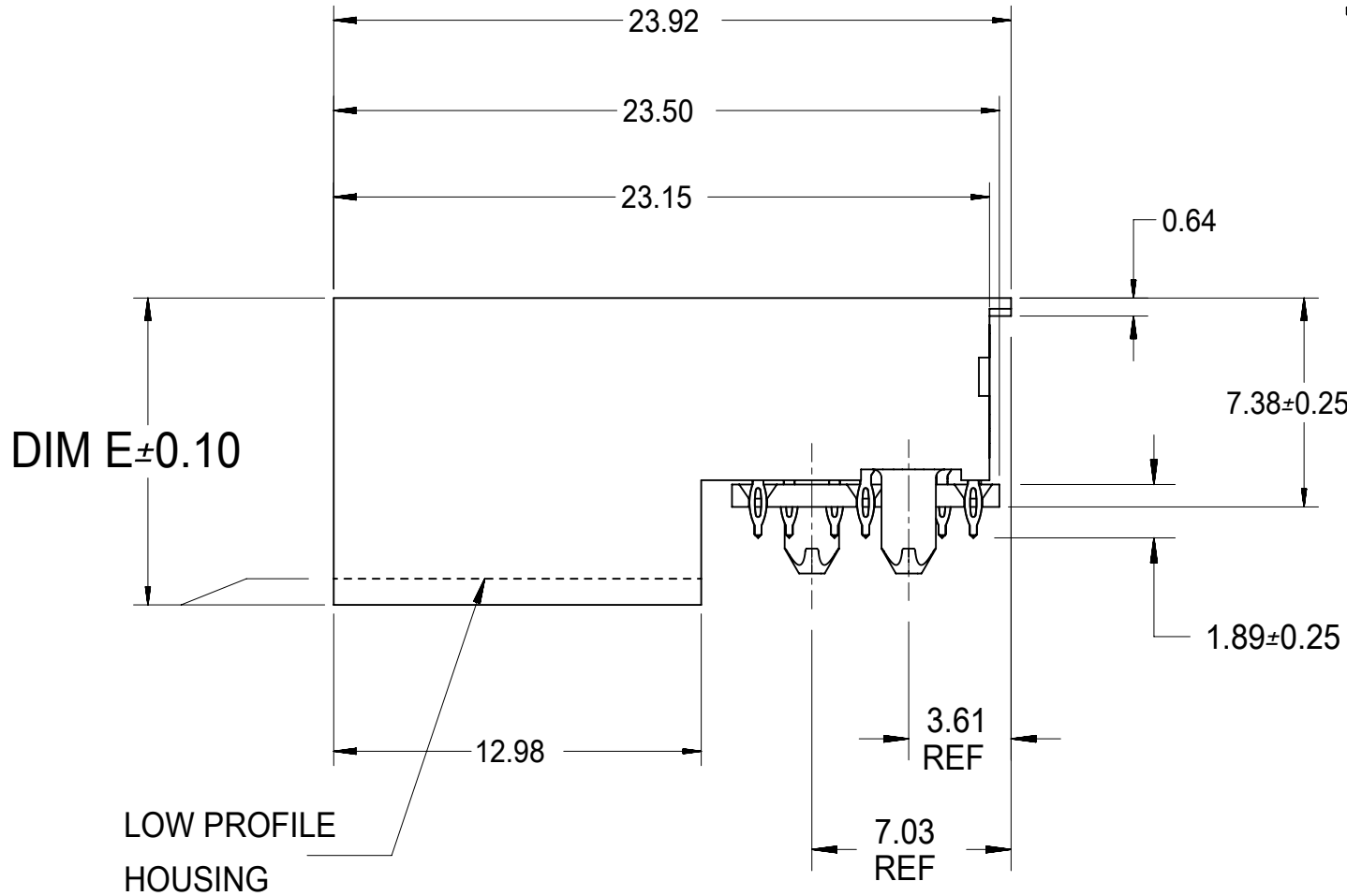
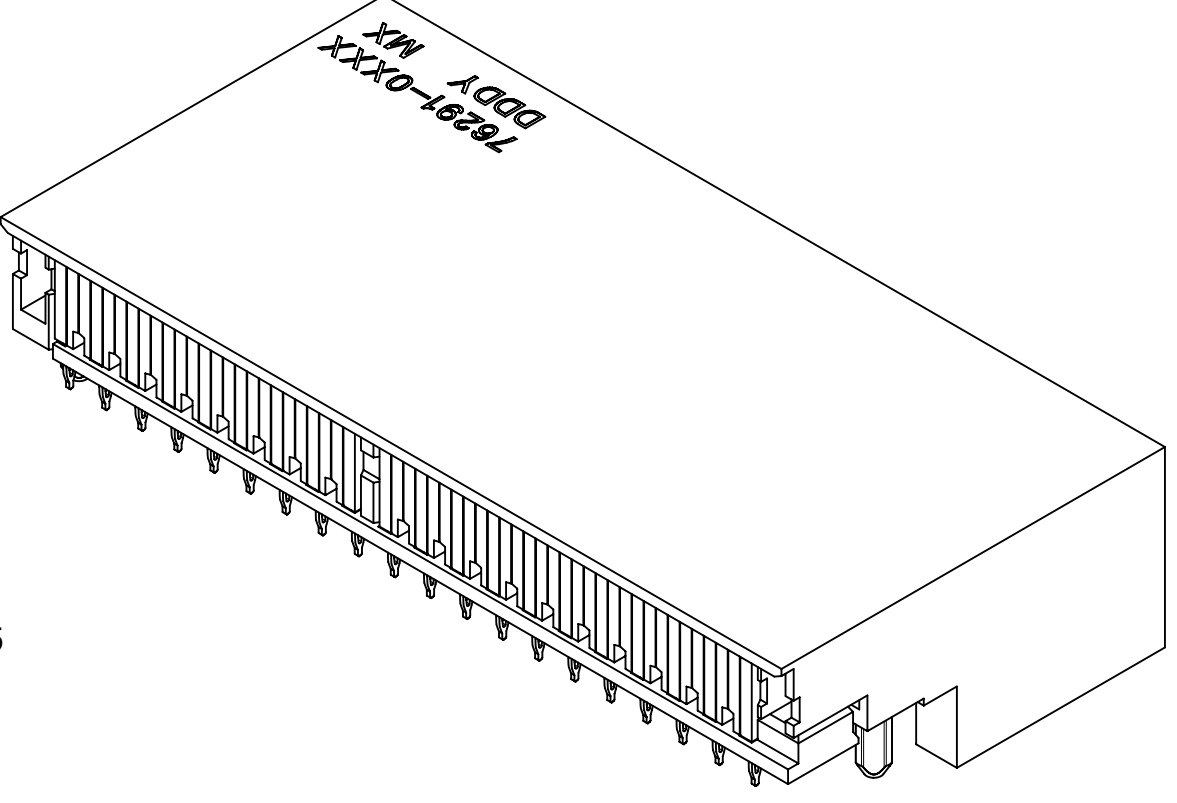
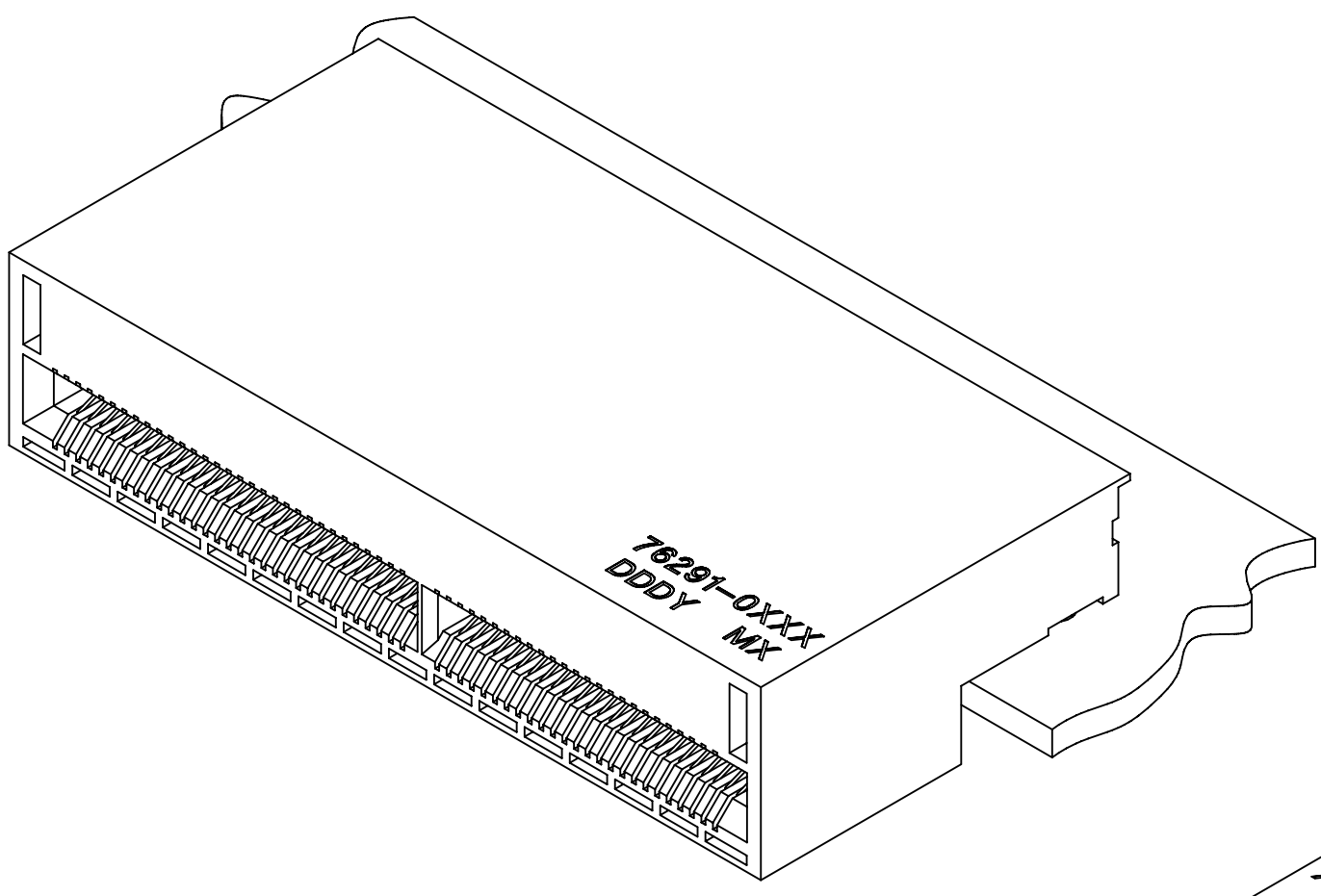
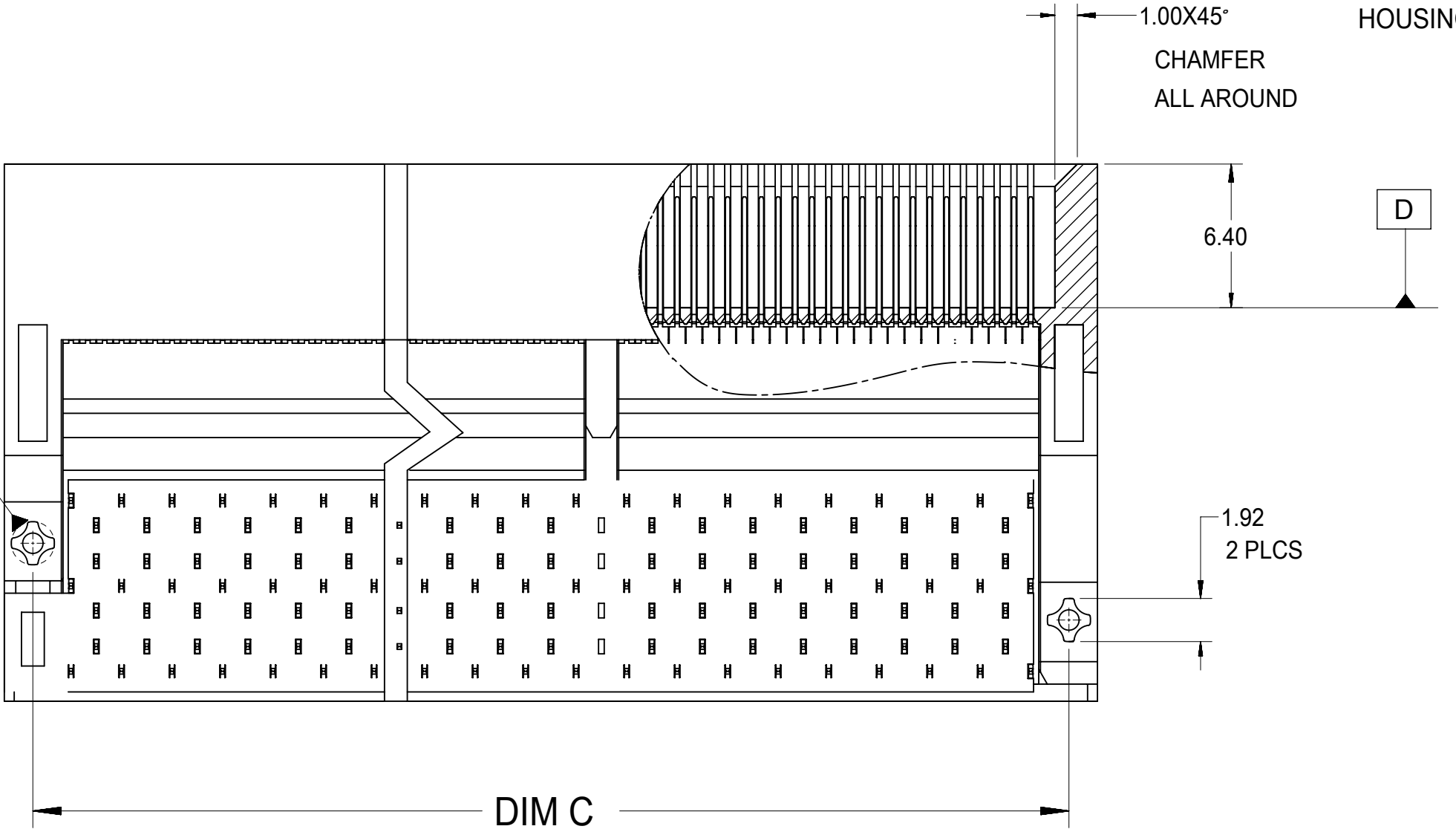
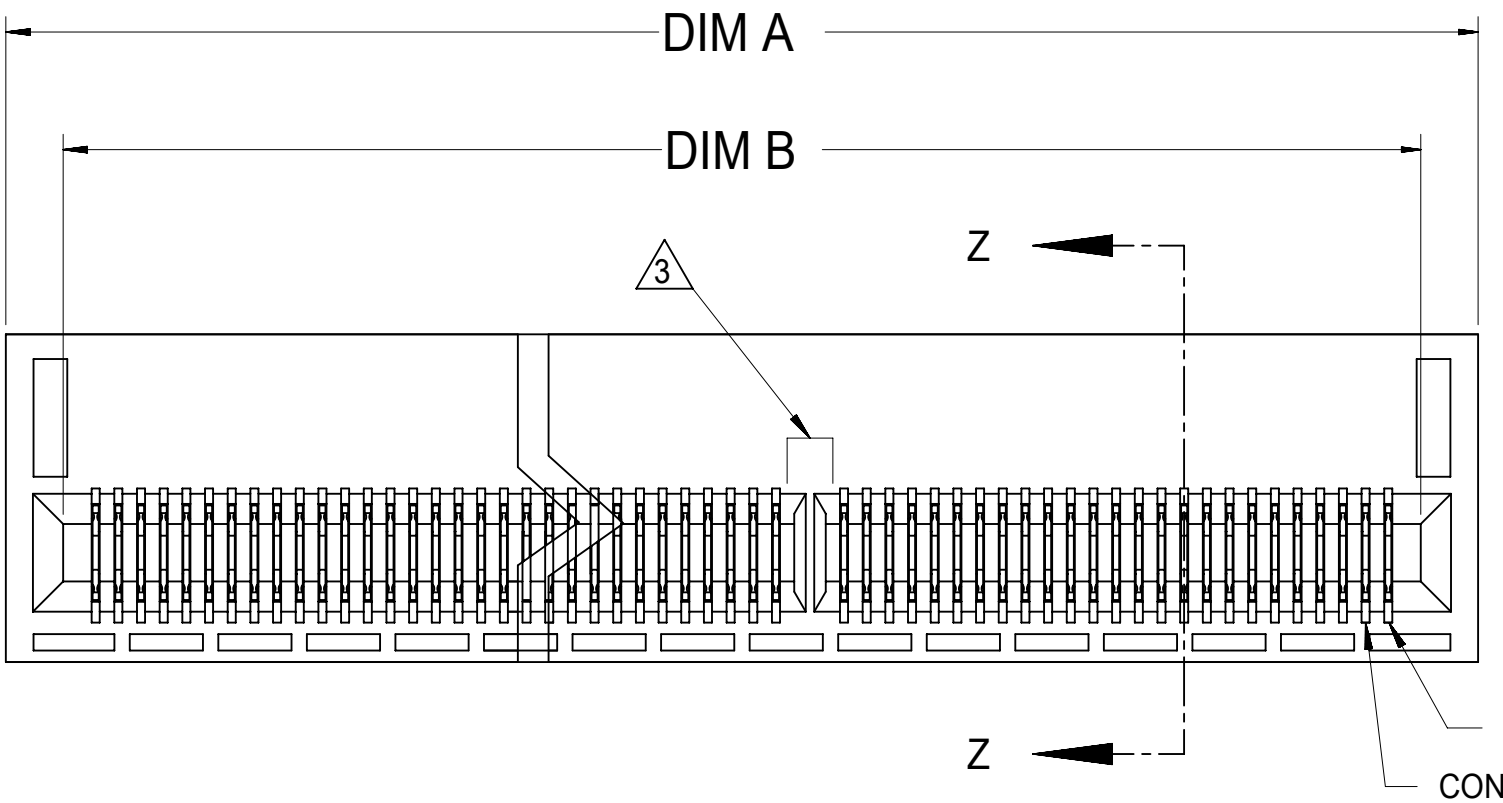
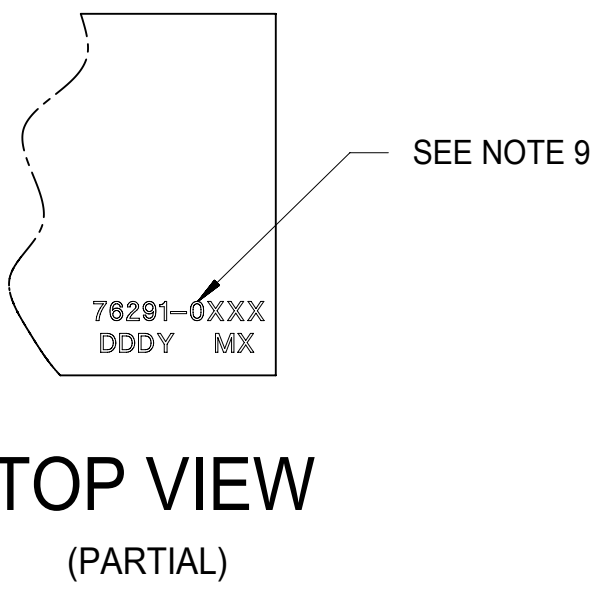


PART NUMBER	TIN	TIN PREVIOUSLY TINLEAD	STATUS	CKTS	DIM A	DIM B	DIM C	DIM D	POWER POS.	DIM E
762910008	762910008		NOT TOOLED	8	8.19	4.40	5.65	4.25	-	10.84
762910014	762910014		NOT TOOLED	14	10.44	6.65	7.90	6.50	-	10.84
762910020	762910020		NOT TOOLED	20	12.69	8.90	10.15	8.75	-	10.84
762910026	762910026		NOT TOOLED	26	14.94	11.15	12.40	11.00	-	10.84
762910032	762910032		NOT TOOLED	32	17.19	13.40	14.65	13.25	-	10.84
762910038	762910038			38	19.44	15.60	16.90	15.50	-	10.84
762910044	762910044		NOT TOOLED	44	21.69	17.90	19.15	17.75	-	10.84
762910050	762910050		NOT TOOLED	50	23.94	20.15	21.40	20.00	-	10.84
762910056	762910056		NOT TOOLED	56	26.19	22.40	23.65	22.25	-	10.84
762910062	762910062		NOT TOOLED	62	28.44	24.65	25.90	24.50	-	10.84
762910068	762910068			68	30.69	26.90	28.15	26.75	-	10.84
762910074	762910074		NOT TOOLED	74	32.94	29.15	30.40	29.00	-	10.84
762910080	762910080		NOT TOOLED	80	35.19	31.40	32.65	31.25	-	10.84
762910086	762910086		NOT TOOLED	86	37.44	33.65	34.90	33.50	-	10.84
762910092	762910092		NOT TOOLED	92	39.69	35.90	37.15	35.75	-	10.84
762910098	762910098		NOT TOOLED	98	41.94	38.15	39.40	38.00	-	10.84
762910104	76291104		NOT TOOLED	104	44.19	40.40	41.65	40.25	-	10.84
762910110	76291110		NOT TOOLED	110	46.44	42.65	43.90	42.50	-	10.84
762910116	76291116		NOT TOOLED	116	48.69	44.90	46.15	44.75	-	10.84
762910122	76291122		NOT TOOLED	122	50.94	47.15	48.40	47.00	-	10.84
762910128	76291128		NOT TOOLED	128	53.19	49.40	50.65	49.25	-	10.84
762910134	76291134		NOT TOOLED	134	55.44	51.65	52.90	51.50	-	10.84
762910140	76291140			140	57.69	53.90	55.15	53.75	-	10.84
762910146	76291146		NOT TOOLED	146	59.94	56.15	57.40	56.00	-	10.84
762910152	76291152		NOT TOOLED	152	62.19	58.40	59.65	58.25	-	10.84
762910158	76291158		NOT TOOLED	158	64.44	60.65	61.90	60.50	-	10.84
762910164	76291164		NOT TOOLED	164	66.69	62.90	64.15	62.75	-	10.84
762910170	76291170			170	68.94	65.15	66.40	65.00	-	10.84
762910171	76291171			170	68.94	65.15	66.40	65.00	2	10.84
762910172	76291172			170	68.94	65.15	66.40	65.00	28	10.84
762910178	76291078		NOT TOOLED	178	73.44	69.65	70.90	69.50	-	10.84
762910184	76291184		NOT TOOLED	184	75.69	71.90	73.15	71.75	-	10.84
762910190	76291190		NOT TOOLED	190	77.94	74.15	75.40	74.00	-	10.84
762910196	76291196		NOT TOOLED	196	80.19	76.40	77.65	76.25	-	10.84
762910202	76291202		NOT TOOLED	202	82.44	78.65	79.90	78.50	-	10.84
762910208	76291208		NOT TOOLED	208	84.69	80.90	82.15	80.75	-	10.84
762910214	76291214		NOT TOOLED	214	86.94	83.15	84.40	83.00	-	10.84
762910220	76291220		NOT TOOLED	220	89.19	85.40	86.65	85.25	-	10.84
762910226	76291226			226	91.44	87.65	88.90	87.50	-	10.84
762912226	762913226			226	91.44	87.65	88.90	87.50	-	10.15
762910232	76291232		NOT TOOLED	232	93.69	89.90	91.15	89.75	-	10.84
762910238	76291238		NOT TOOLED	238	95.94	92.15	93.40	92.00	-	10.84
762910244	76291244		NOT TOOLED	244	98.19	94.40	95.65	94.25	-	10.84
762910250	76291250			25	100.44	96.65	97.90	96.50	-	10.84

LOW PROFILE



SECTION Z-Z

- NOTES:
- MATERIAL -  
CONNECTOR HOUSING - GLASS FILLED LCP, 94V-0, BLACK  
OVERMOLDING ON TERMINALS: GLASS FILLED LCP, 94V-0, BLACK  
TERMINALS: COPPER ALLOY, SPRING TEMPER
  - TERMINAL FINISH:  
CONTACT AREA: .75m HARD GOLD OVER 3.8m MIN NICKEL.  
COMPLIANT AREA: .75-1.50m TIN OVER .75m - 1.50m NICKEL.
  - FOR CIRCUIT SIZES GREATER THAN 170, A CENTER ALIGNMENT KEY WILL BE USED.
  - REFER TO PS-76291-001 PRODUCT SPEC FOR ALL ELECTRICAL, MECHANICAL, AND ENVIRONMENTAL SPECIFICATIONS.
  - REFER TO PK-76291-001 FOR ALL PACKAGING SPECIFICATIONS.
  - REFER TO AS-76291-001 FOR BOARD APPLICATION INFORMATION.
  - MODULE BOARD CONTACT PAD PLATING TO BE .76m MIN HARD GOLD OVER 2.54m MIN NICKEL
  - MODULE BOARD CONTACT PAD SURFACE ROUGHNESS NOT TO EXCEED Ra 0.2m.
  - PART TO BE LASER MARKED WITH PART NUMBER, WHERE XXX IS THE CIRCUIT SIZE OR POWER WAFER OPTION, MANUFACTURING FACILITY, AND DATE CODE IN THE FORMAT OF: DAY OF THE YEAR AND LAST DIGIT OF THE YEAR: DDDY

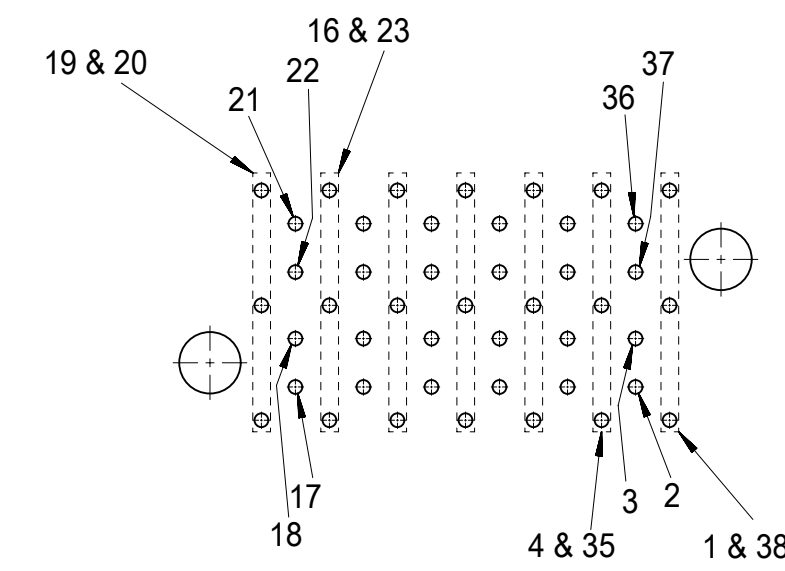
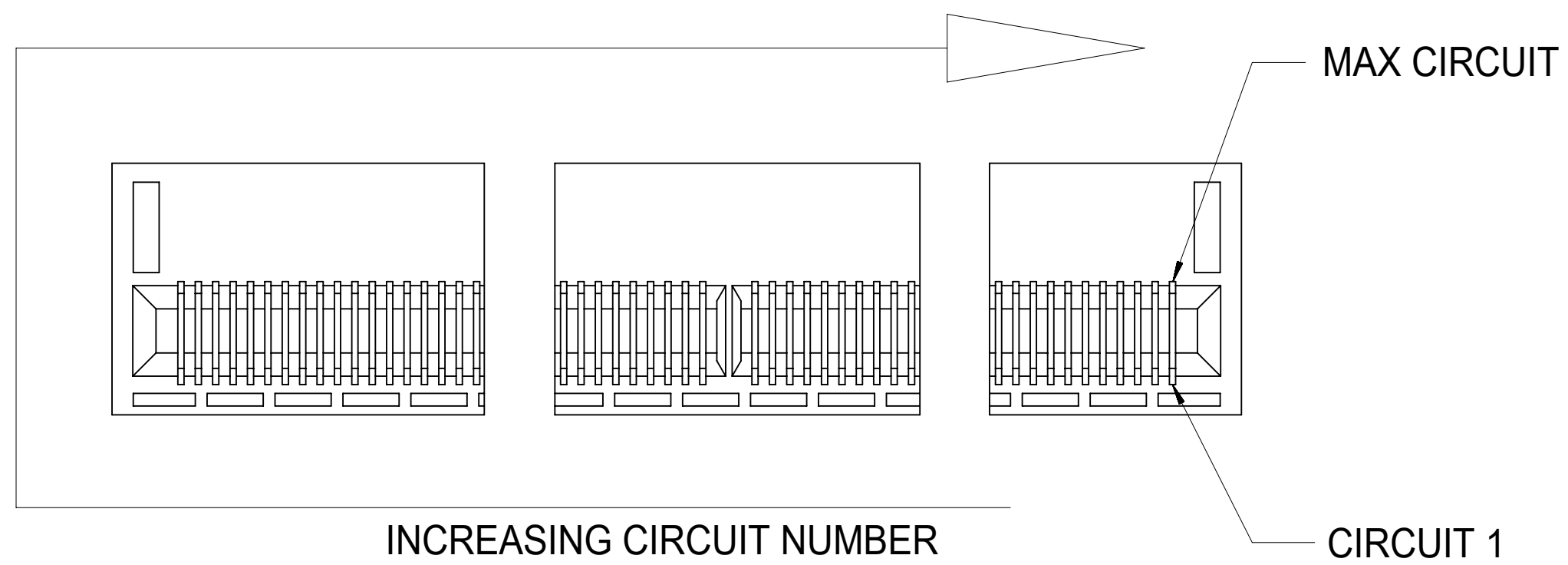
SYMBOLS										THIS DRAWING CONTAINS INFORMATION THAT IS PROPRIETARY TO MOLEX ELECTRONIC TECHNOLOGIES, LLC AND SHOULD NOT BE USED WITHOUT WRITTEN PERMISSION									
DIMENSION UNITS					SCALE					CURRENT REV DESC: MIGRATED TO NX									
mm					NTS														
GENERAL TOLERANCES (UNLESS SPECIFIED)																			
ANGULAR TOL ± 0.5°										EC NO: 611387									
4 PLACES ±										DRWN: BARWANKAR 2019/01/31									
3 PLACES ±										CHK'D: VMANICKAM 2019/02/01									
2 PLACES ± 0.13										APPR: SHLENI 2019/02/13									
1 PLACE ± 0.25										INITIAL REVISION:									
0 PLACES ±										DRWN: HAVERY 2008/07/14									
DRAFT WHERE APPLICABLE MUST REMAIN WITHIN DIMENSIONS										APPR: MBANAKIS 2008/07/22									
THIRD ANGLE PROJECTION					DRAWING					SERIES					MATERIAL NUMBER				
D-SIZE					76291					SEE CHART					CUSTOMER				
GENERAL MARKET					1 OF 3					SD-76291-001					PSD 001 T				

DOCUMENT STATUS	P1	RELEASE DATE	2019/02/13	07:54:33
-----------------	----	--------------	------------	----------

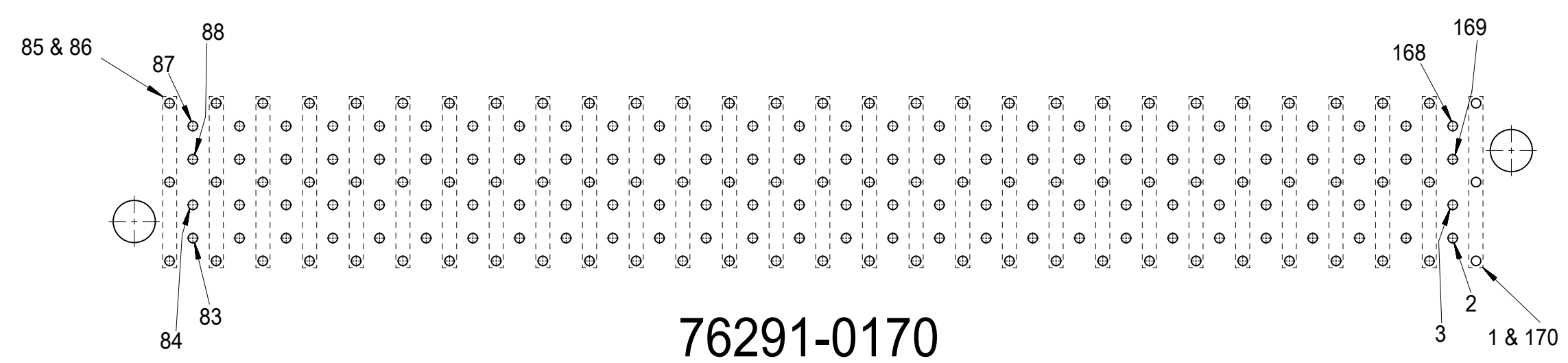


# PCB PIN-OUT ASSIGNMENTS

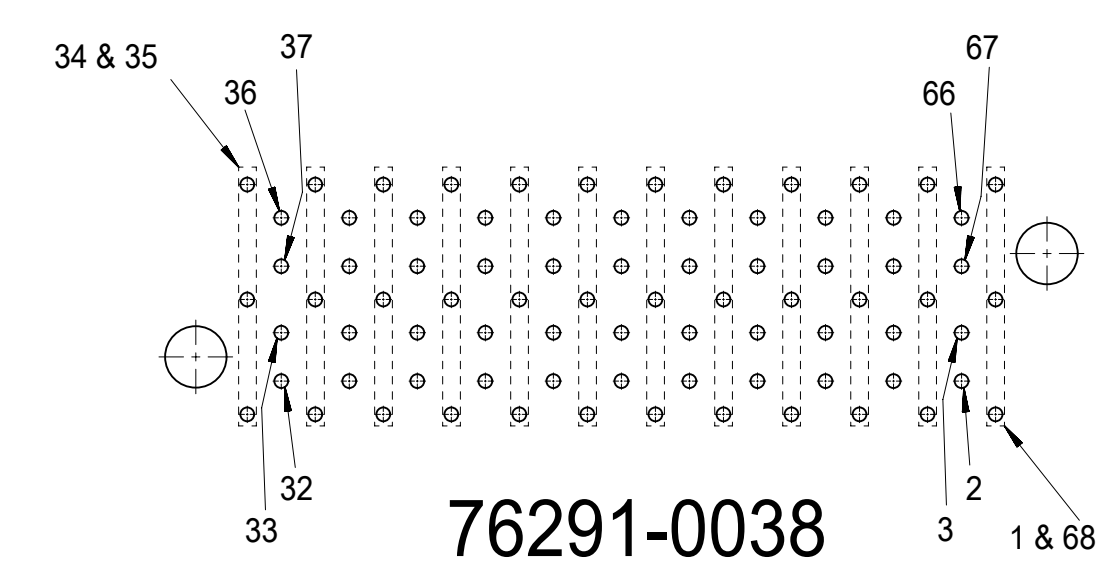
(TOP SIDE OF BOARD SHOWN)



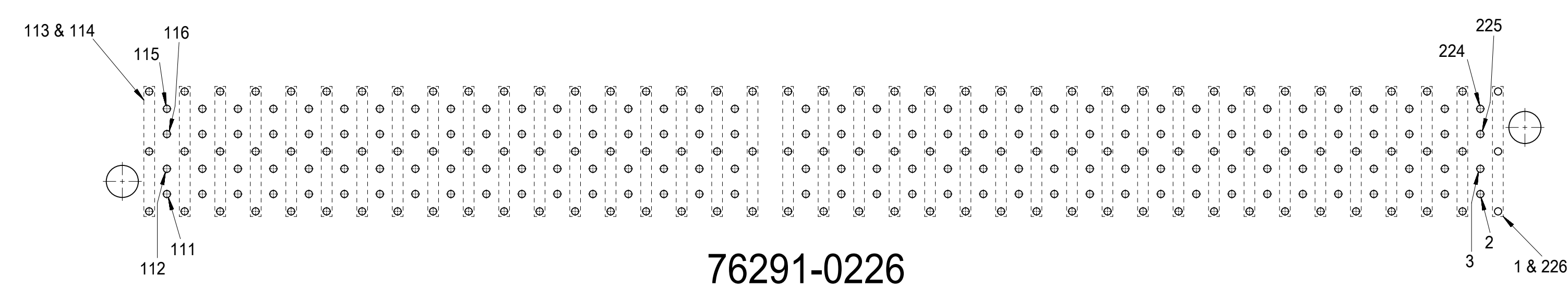
76291-0038



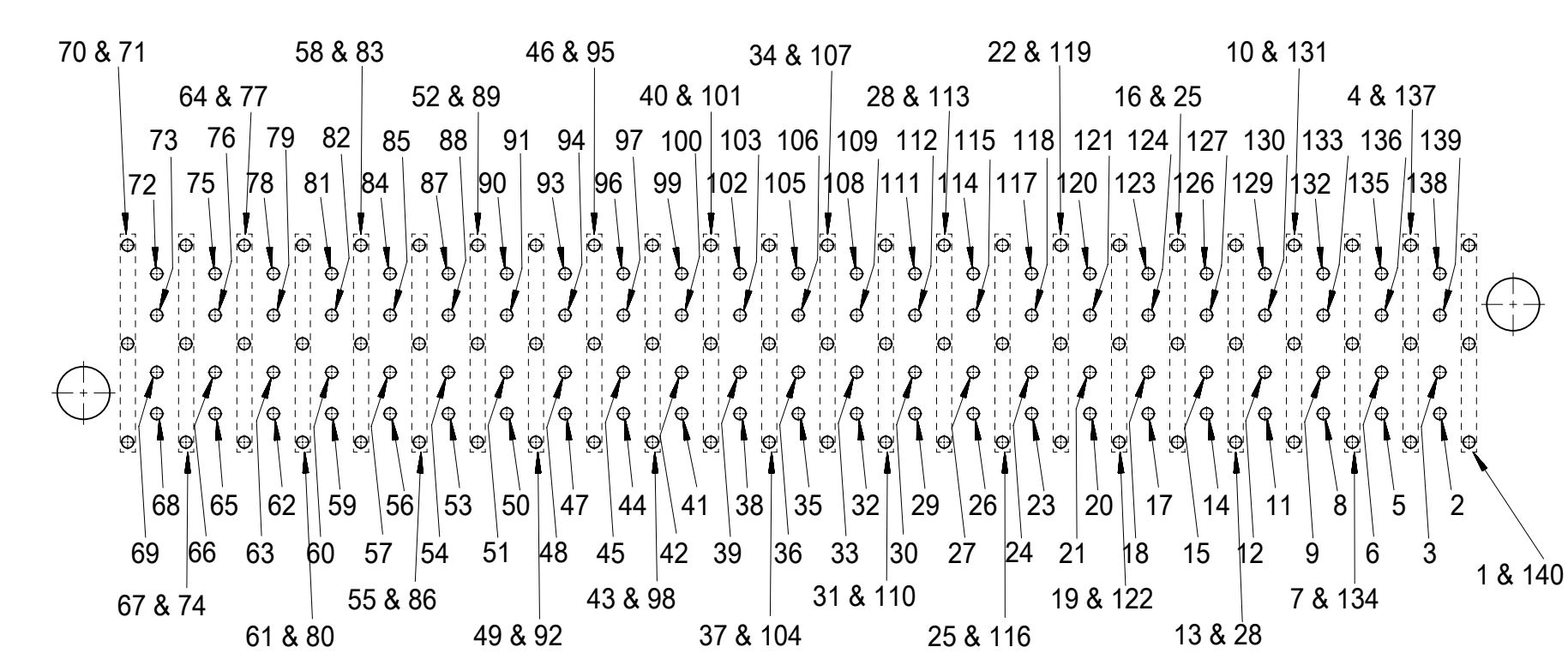
76291-0170



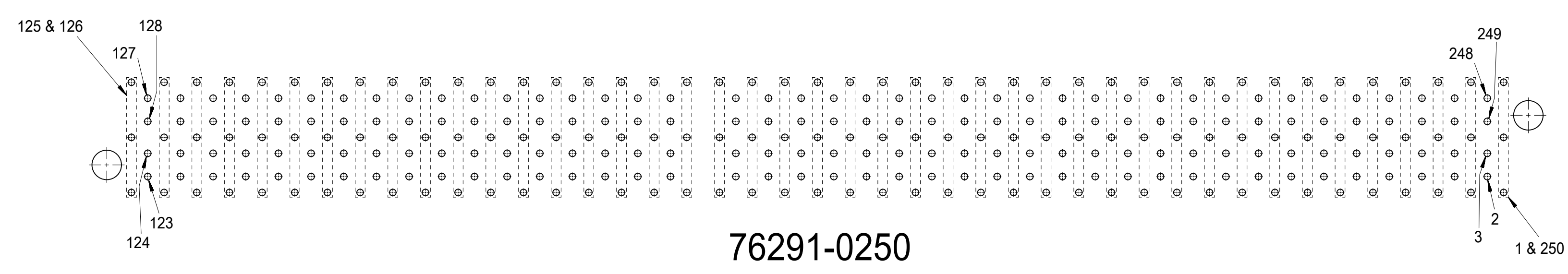
76291-0038



76291-0226



76291-0140



76291-0250

FRONT EDGE OF PCB

NOTES ON CIRCUIT DESIGNATIONS:  
 1. CIRCUIT 1 STARTS AT LOWER RIGHT HAND CORNER AND INCREASES TO THE LEFT ACROSS THE BOTTOM AND INCREASES TO THE RIGHT ACROSS THE TOP.  
 2. THERE IS NOT A 1:1 CORRESPONDENCE BETWEEN THE CIRCUIT NUMBER AND THE TAIL HOLE LOCATIONS. EACH GROUND HAS TWO CONTACTS AND THREE TAILS. THE BOXES AROUND THE THREE VERTICAL HOLES INDICATE THE UPPER AND LOWER GROUND CONTACTS SHARE THE THREE TAIL HOLE LOCATIONS.

SYMBOLS	THIS DRAWING CONTAINS INFORMATION THAT IS PROPRIETARY TO MOLEX ELECTRONIC TECHNOLOGIES, LLC AND SHOULD NOT BE USED WITHOUT WRITTEN PERMISSION		CURRENT REV DESC: MIGRATED TO NX		
	DIMENSION UNITS	SCALE			
= 0	mm	NTS			.75 COPLANAR CONNECTOR GENERAL SALES DRAWING
= 0	GENERAL TOLERANCES (UNLESS SPECIFIED)				
= 0	ANGULAR TOL	± 0.5°	EC NO: 611387		PRODUCT CUSTOMER DRAWING
= 0	4 PLACES	±	DRWN: BARWANKAR 2019/01/31		
= 0	3 PLACES	±	CHK'D: VMANICKAM 2019/02/01		DOCUMENT NUMBER: SD-76291-001 DOC TYPE: PSD DOC PART: 001 REVISION: T
= 0	2 PLACES	± 0.13	APPR: SHLENI 2019/02/13		
= 0	1 PLACE	± 0.25	INITIAL REVISION:		MATERIAL NUMBER: SEE CHART CUSTOMER: GENERAL MARKET SHEET NUMBER: 3 OF 3
= 0	0 PLACES	±	DRWN: HAVERY 2008/07/14		
= 0	DRAFT WHERE APPLICABLE MUST REMAIN WITHIN DIMENSIONS		THIRD ANGLE PROJECTION	DRAWING	SERIES
= 0				D-SIZE	76291