

10 9 8 7 6 5 4 3 2 1

NOTES:

1. MATERIALS:

HOUSING - LIQUID CRYSTAL POLYMER (LCP),
UL94 V-0, COLOR: BLACK.

TERMINAL - COPPER ALLOY

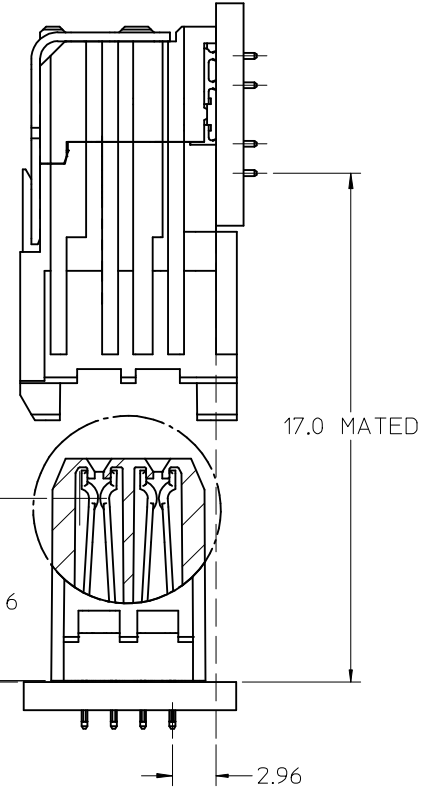
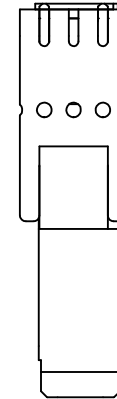
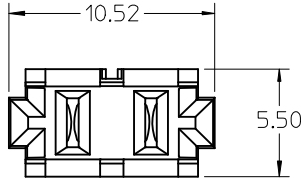
2. FINISH: SELECTIVE GOLD ON MATING SURFACE,
MATTE TIN ON TAILS; NICKEL UNDERPLATE.

3. THIS PART CONFORMS TO PRODUCT SPECIFICATION
PS-74031-999.

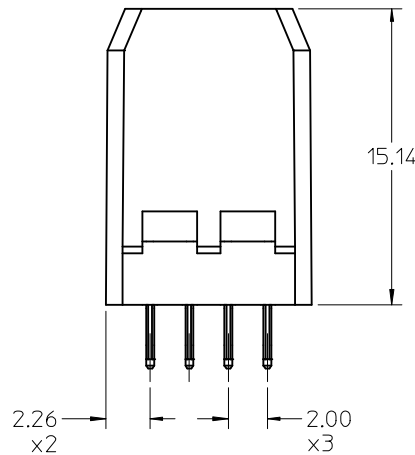
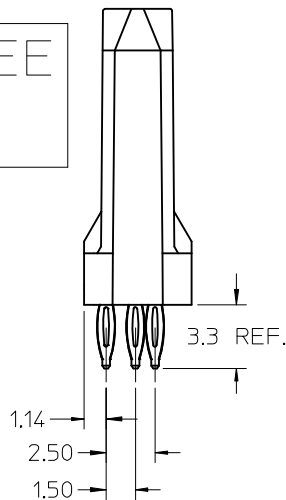
4. SINGLE ROW ASSEMBLY PACKAGED PER PK-70873-0876.

5. MATES WITH 74026 SERIES DAUGHTERCARD POWER ASSEMBLY.

6. MATING INTERFACE MEASURED FROM BOTTOM OF HOUSING.



LEAD-FREE
PLATING



MOLEX P/N	GOLD THICKNESS (MINIMUM)	TAIL PLATING
74029-6000	30 MICROINCHES	MATTE TIN
74029-6050	50 MICROINCHES	

ADD LEADED P/N	DESCRIPTION
EC NO: UCP2013-0146	
DRW:SVANG01	2012/07/12
CHKD:WOLFE	2012/07/12
APPR:SMILLER	2012/08/06

QUALITY SYMBOLS
$\nabla = 0$
$\nabla = 0$
$\nabla = 0$

GENERAL TOLERANCES (UNLESS SPECIFIED)	
mm	INCH
4 PLACES ± ---	± ---
3 PLACES ± ---	± ---
2 PLACES ± 0.25	± ---
1 PLACE ± 0.38	± ---
0 PLACE ±	±
ANGULAR ± 1/2°	
DRAFT WHERE APPLICABLE MUST REMAIN WITHIN DIMENSIONS	

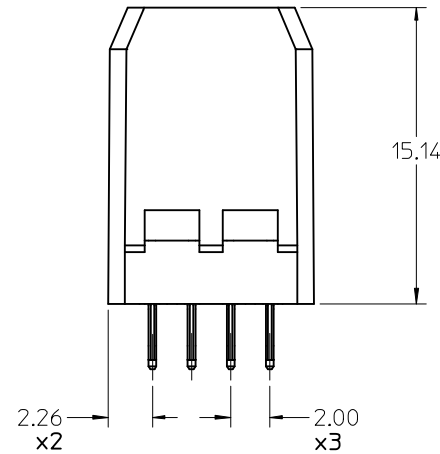
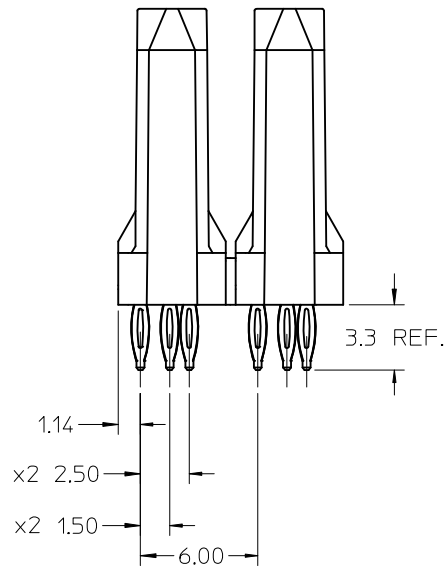
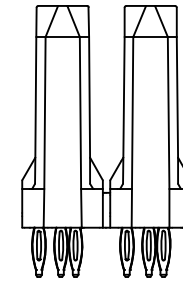
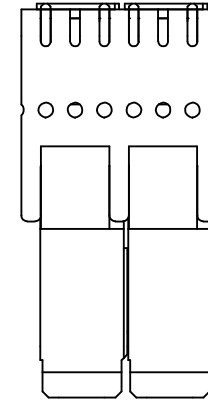
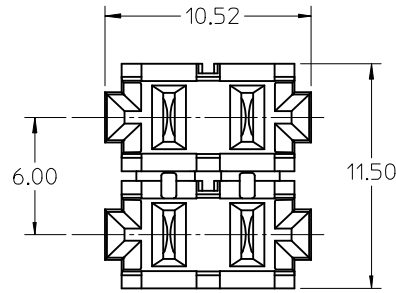
DIMENSION STYLE	
MM ONLY	
DRAWN BY	DATE
ELO	2003/07/14
CHECKED BY	DATE
STANFORD	2003/07/17
APPROVED BY	DATE
BIXLER	2003/07/21
MATERIAL NO.	
SEE TABLE	

SCALE	DESIGN UNITS	THIRD ANGLE PROJECTION
4:1	METRIC	
TITLE		
VHDM/HSD POWER 6 ROW BACKPLANE SALES DRAWING		
molex		
DOCUMENT NO.	SHEET NO.	
SD-74029-011	1 OF 3	

9 8 7 6 5 4 3 2 1

NOTES:

1. THIS DESIGN INTENDED AS OPTION TO HAVING TWO SINGLE ROW MODULES NEXT TO EACH OTHER.
2. FINISH: SELECTIVE GOLD ON MATING SURFACE; TIN/LEAD OR MATTE TIN ON TAILS; NICKEL UNDERPLATE.
3. DUAL ROW ASSEMBLIES PACKED PER PK-70873-545.

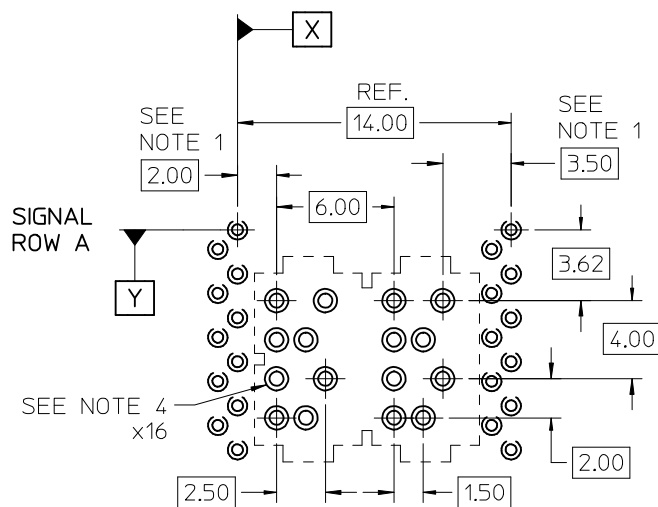


DUAL ROW ASSEMBLY

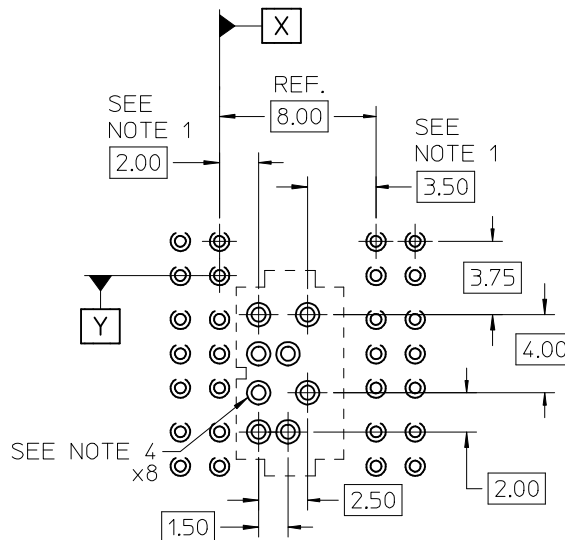
MOLEX P/N	GOLD THICKNESS (MINIMUM)	TAIL PLATING
74029-6002	30 MICROINCHES	MATTE TIN
74029-6052	50 MICROINCHES	
74029-6902	30 MICROINCHES	TIN/LEAD
74029-6952	50 MICROINCHES	

SEE SHEET 1 EC NO: UCP2013-0146 DRWN:SVANG01 2012/07/12 CHKD:MWOLF 2012/07/12 APPR:SMILLER 2012/08/06	QUALITY SYMBOLS $\nabla F=0$ $\nabla E=0$ $\nabla F=0$	GENERAL TOLERANCES (UNLESS SPECIFIED) mm INCH 4 PLACES ± --- ± --- 3 PLACES ± --- ± --- 2 PLACES ± 0.25 ± --- 1 PLACE ± 0.38 ± --- 0 PLACE ± ±	DIMENSION STYLE MM ONLY DRAWN BY DATE ELO 2003/07/14 CHECKED BY DATE STANFORD 2003/07/17 APPROVED BY DATE BIXLER 2003/07/21	SCALE 4:1 DESIGN UNITS METRIC THIRD ANGLE PROJECTION	TITLE VHDM/HSD POWER 6 ROW BACKPLANE SALES DRAWING molex
	ANGULAR ± 1/2° DRAFT WHERE APPLICABLE MUST REMAIN WITHIN DIMENSIONS	MATERIAL NO. SEE TABLE	DOCUMENT NO. SD-74029-011	SHEET NO. 2 OF 3	
	THIS DRAWING CONTAINS INFORMATION THAT IS PROPRIETARY TO MOLEX INCORPORATED AND SHOULD NOT BE USED WITHOUT WRITTEN PERMISSION				
	SIZE B				

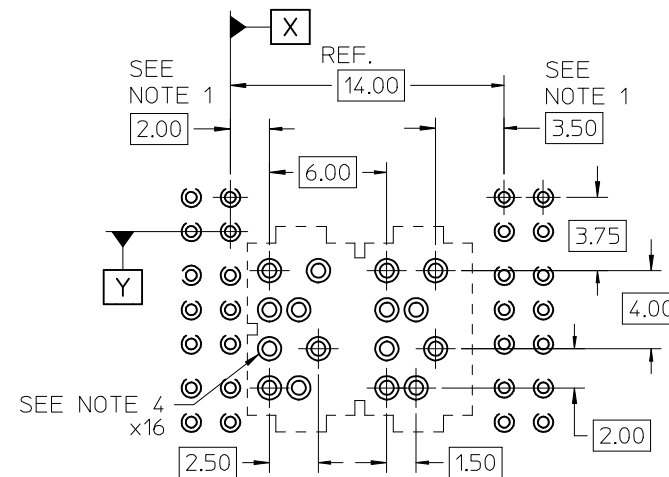
BOARD LAYOUTS: 1.8 mm MIN. BOARD THICKNESS



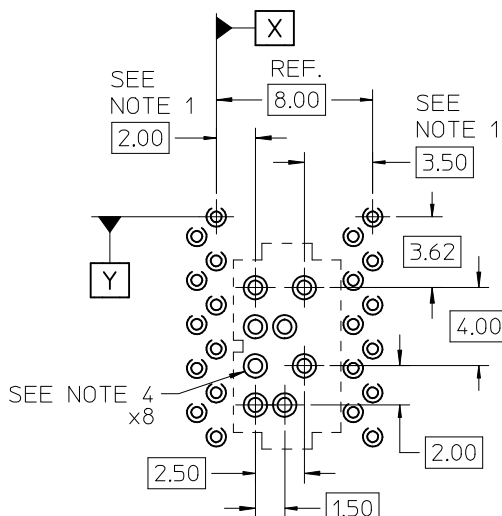
VHDM DUAL ROW POWER



VHDM-HSD SINGLE ROW POWER



VHDM-HSD DUAL ROW POWER



VHDM SINGLE ROW POWER

NOTES:

1. ADDITIONAL SPACING CAN BE ADDED IN MULTIPLES OF 2.0 mm AS REQUIRED. FOR EACH ADDITIONAL SINGLE ROW POWER, ADD 6.00 mm.
2. SIGNAL ROW A IS IN LINE WITH DATUM Y IN ALL FOUR LAYOUTS.
3. FOUR HOLES ARE USED PER POWER CONTACT.
4. EACH POWER HOLE TO BE MANUFACTURED AS FOLLOWS:

Ø0.725±0.075 PLATED THROUGH HOLE

Ø1.20 PAD

Ø0.838 DRILL

⊕ 0.10 X | Y

SEE SHEET 1 EC NO: UCP2013-0146 IDRWN: SVANG01 2012/07/12 CHKD: MWOLF 2012/07/12 APPR: SMILLER 2012/08/06	QUALITY SYMBOLS ∇=0 ∇=0 ∇=0	GENERAL TOLERANCES (UNLESS SPECIFIED)		DIMENSION STYLE MM ONLY		SCALE 4:1	DESIGN UNITS METRIC	THIRD ANGLE PROJECTION	
		4 PLACES ± --- ± ---	INCH	DRAWN BY ELO	DATE 2003/07/14	TITLE VHDM/HSD POWER 6 ROW BACKPLANE SALES DRAWING			
		3 PLACES ± --- ± ---	2 PLACES ± 0.25 ± ---	CHECKED BY STANFORD	DATE 2003/07/17				
		1 PLACE ± 0.38 ± ---	0 PLACE ± ±	APPROVED BY BIXLER	DATE 2003/07/21	DOCUMENT NO. SD-74029-011			
DRAFT WHERE APPLICABLE MUST REMAIN WITHIN DIMENSIONS		MATERIAL NO.	SEE TABLE		SHEET NO. 3 OF 3		THIS DRAWING CONTAINS INFORMATION THAT IS PROPRIETARY TO MOLEX INCORPORATED AND SHOULD NOT BE USED WITHOUT WRITTEN PERMISSION		

10 9 8 7 6 5 4 3 2 1

NOTES:

1. MATERIALS:

HOUSING - LIQUID CRYSTAL POLYMER (LCP),
UL94 V-0, COLOR: BLACK.

TERMINAL - COPPER ALLOY

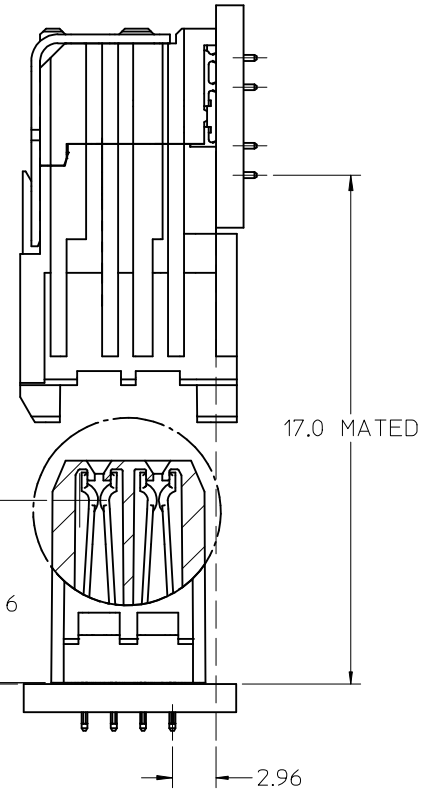
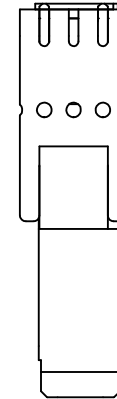
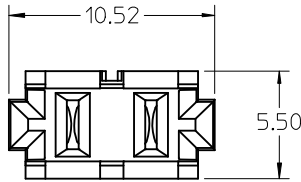
2. FINISH: SELECTIVE GOLD ON MATING SURFACE;
MATTE TIN ON TAILS; NICKEL UNDERPLATE.

3. THIS PART CONFORMS TO PRODUCT SPECIFICATION
PS-74031-999.

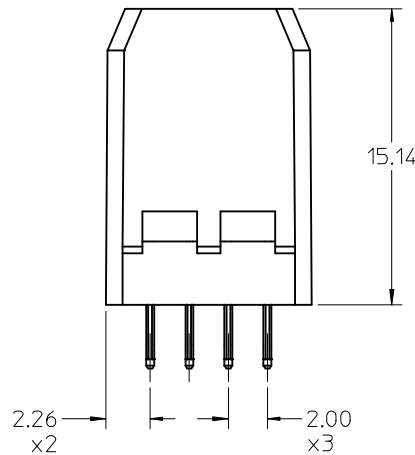
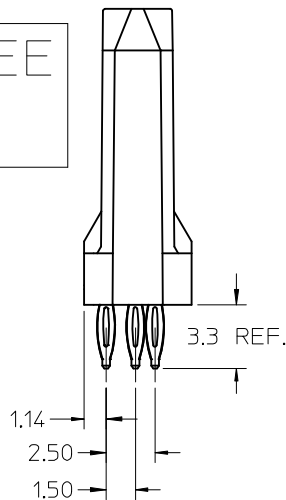
4. SINGLE ROW ASSEMBLY PACKAGED PER PK-70873-0876.

5. MATES WITH 74026 SERIES DAUGHTERCARD POWER ASSEMBLY.

6. MATING INTERFACE MEASURED FROM BOTTOM OF HOUSING.



LEAD-FREE
PLATING



MOLEX P/N	GOLD THICKNESS (MINIMUM)	TAIL PLATING
74029-6000	30 MICROINCHES	MATTE TIN
74029-6050	50 MICROINCHES	

ADD LEADED P/N	DESCRIPTION
EC NO: UCP2013-0146	
DRW:SVANG01	2012/07/12
CHKD:WOLFE	2012/07/12
APPR:SMILLER	2012/08/06

QUALITY SYMBOLS
$\nabla = 0$
$\nabla = 0$
$\nabla = 0$

GENERAL TOLERANCES (UNLESS SPECIFIED)	
mm	INCH
4 PLACES ± ---	± ---
3 PLACES ± ---	± ---
2 PLACES ± 0.25	± ---
1 PLACE ± 0.38	± ---
0 PLACE ±	±
ANGULAR ± 1/2°	
DRAFT WHERE APPLICABLE MUST REMAIN WITHIN DIMENSIONS	

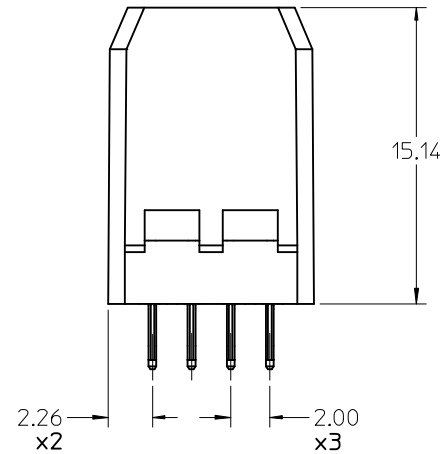
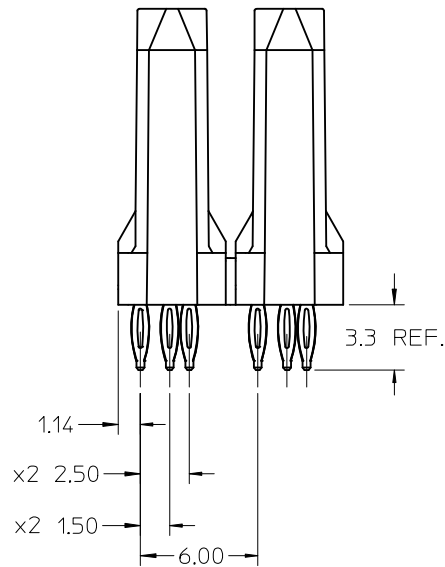
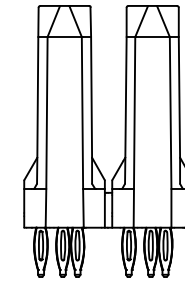
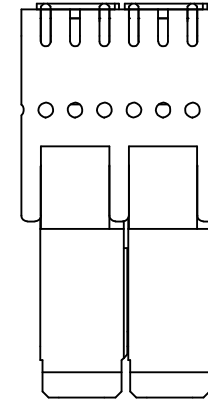
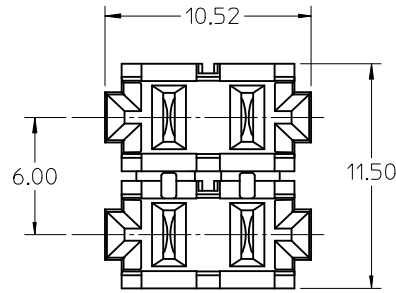
DIMENSION STYLE	
MM ONLY	
DRAWN BY	DATE
ELO	2003/07/14
CHECKED BY	DATE
STANFORD	2003/07/17
APPROVED BY	DATE
BIXLER	2003/07/21
MATERIAL NO.	
SEE TABLE	

SCALE	DESIGN UNITS	THIRD ANGLE PROJECTION
4:1	METRIC	
TITLE		
VHDM/HSD POWER 6 ROW BACKPLANE SALES DRAWING		
molex		
DOCUMENT NO.	SHEET NO.	
SD-74029-011	1 OF 3	

9 8 7 6 5 4 3 2 1

NOTES:

1. THIS DESIGN INTENDED AS OPTION TO HAVING TWO SINGLE ROW MODULES NEXT TO EACH OTHER.
2. FINISH: SELECTIVE GOLD ON MATING SURFACE; TIN/LEAD OR MATTE TIN ON TAILS; NICKEL UNDERPLATE.
3. DUAL ROW ASSEMBLIES PACKED PER PK-70873-545.

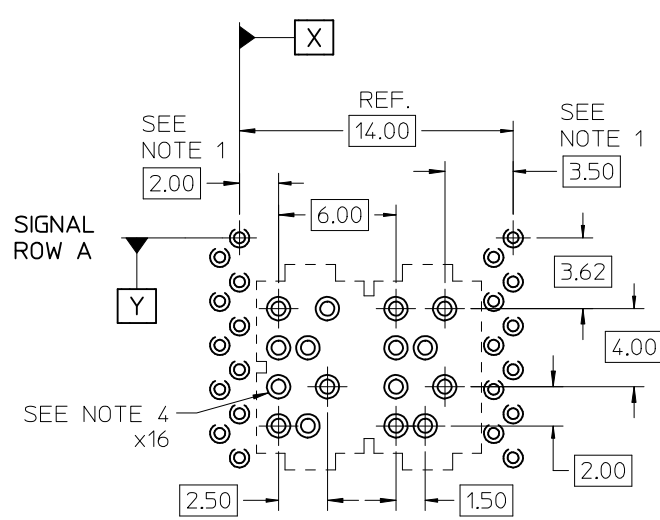


DUAL ROW ASSEMBLY

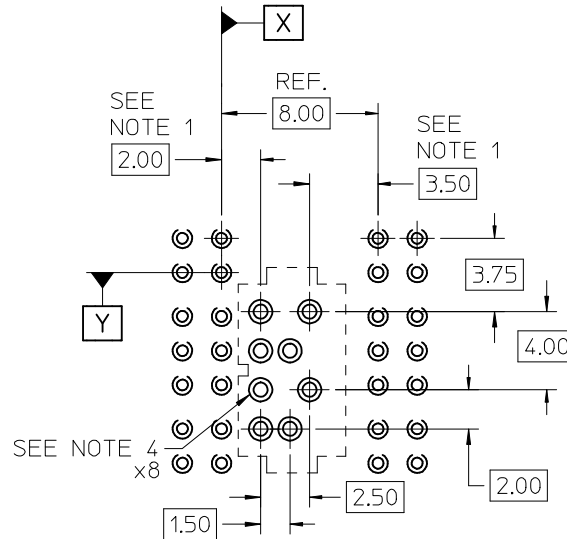
MOLEX P/N	GOLD THICKNESS (MINIMUM)	TAIL PLATING
74029-6002	30 MICROINCHES	MATTE TIN
74029-6052	50 MICROINCHES	
74029-6902	30 MICROINCHES	TIN/LEAD
74029-6952	50 MICROINCHES	

SEE SHEET 1 EC NO: UCP2013-0146 DRWN:SVANG01 2012/07/12 CHKD:MWOLFE 2012/07/12 APPR:SMILLER 2012/08/06	QUALITY SYMBOLS $\nabla F=0$ $\nabla E=0$ $\nabla F=0$	GENERAL TOLERANCES (UNLESS SPECIFIED) <table border="1"> <thead> <tr> <th></th> <th>mm</th> <th>INCH</th> </tr> </thead> <tbody> <tr> <td>4 PLACES</td> <td>\pm---</td> <td>\pm---</td> </tr> <tr> <td>3 PLACES</td> <td>\pm---</td> <td>\pm---</td> </tr> <tr> <td>2 PLACES</td> <td>\pm0.25</td> <td>\pm---</td> </tr> <tr> <td>1 PLACE</td> <td>\pm0.38</td> <td>\pm---</td> </tr> <tr> <td>0 PLACE</td> <td>\pm</td> <td>\pm</td> </tr> </tbody> </table>		mm	INCH	4 PLACES	\pm ---	\pm ---	3 PLACES	\pm ---	\pm ---	2 PLACES	\pm 0.25	\pm ---	1 PLACE	\pm 0.38	\pm ---	0 PLACE	\pm	\pm	DIMENSION STYLE MM ONLY	SCALE 4:1	DESIGN UNITS METRIC	THIRD ANGLE PROJECTION
		mm	INCH																					
	4 PLACES	\pm ---	\pm ---																					
	3 PLACES	\pm ---	\pm ---																					
2 PLACES	\pm 0.25	\pm ---																						
1 PLACE	\pm 0.38	\pm ---																						
0 PLACE	\pm	\pm																						
DRAWN BY ELO	DATE 2003/07/14	TITLE VHDM/HSD POWER 6 ROW BACKPLANE SALES DRAWING																						
CHECKED BY STANFORD	DATE 2003/07/17	APPROVED BY BIXLER																						
DATE 2003/07/21	MATERIAL NO. SEE TABLE	DOCUMENT NO. SD-74029-011	SHEET NO. 2 OF 3	THIS DRAWING CONTAINS INFORMATION THAT IS PROPRIETARY TO MOLEX INCORPORATED AND SHOULD NOT BE USED WITHOUT WRITTEN PERMISSION																				

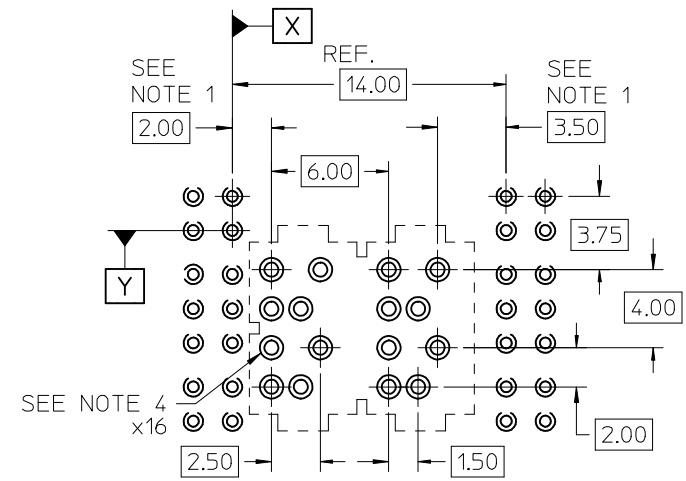
BOARD LAYOUTS: 1.8 mm MIN. BOARD THICKNESS



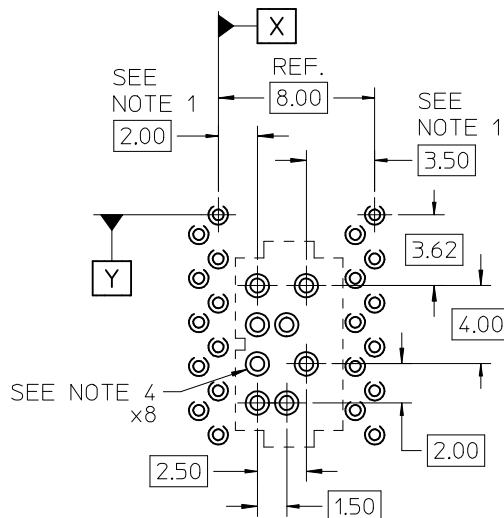
VHDM DUAL ROW POWER



VHDM-HSD SINGLE ROW POWER



VHDM-HSD DUAL ROW POWER

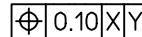


VHDM SINGLE ROW POWER

NOTES:

1. ADDITIONAL SPACING CAN BE ADDED IN MULTIPLES OF 2.0 mm AS REQUIRED. FOR EACH ADDITIONAL SINGLE ROW POWER, ADD 6.00 mm.
2. SIGNAL ROW A IS IN LINE WITH DATUM Y IN ALL FOUR LAYOUTS.
3. FOUR HOLES ARE USED PER POWER CONTACT.
4. EACH POWER HOLE TO BE MANUFACTURED AS FOLLOWS:

- Ø0.725±0.075 PLATED THROUGH HOLE
- Ø1.20 PAD
- Ø0.838 DRILL



SEE SHEET 1 EC NO: UCP2013-0146 IDRWN: SVANG01 2012/07/12 CHKD: MWOLF 2012/07/12 APPR: SMILLER 2012/08/06	QUALITY SYMBOLS $\nabla Z=0$ $\nabla Z=0$ $\nabla Z=0$	GENERAL TOLERANCES (UNLESS SPECIFIED)		DIMENSION STYLE MM ONLY		SCALE 4:1	DESIGN UNITS METRIC	THIRD ANGLE PROJECTION		
		mm	INCH	DRAWN BY ELO	DATE 2003/07/14	TITLE VHDM/HSD POWER 6 ROW BACKPLANE SALES DRAWING				
		4 PLACES ± --- ± ---	3 PLACES ± --- ± ---	2 PLACES ± 0.25 ± ---	1 PLACE ± 0.38 ± ---	CHECKED BY STANFORD	DATE 2003/07/17	molex		
		0 PLACE ± ±	ANGULAR ±1/2°		MATERIAL NO. SEE TABLE	APPROVED BY BIXLER	DATE 2003/07/21	DOCUMENT NO. SD-74029-011	SHEET NO. 3 OF 3	
DRAFT WHERE APPLICABLE MUST REMAIN WITHIN DIMENSIONS				SIZE B	THIS DRAWING CONTAINS INFORMATION THAT IS PROPRIETARY TO MOLEX INCORPORATED AND SHOULD NOT BE USED WITHOUT WRITTEN PERMISSION					