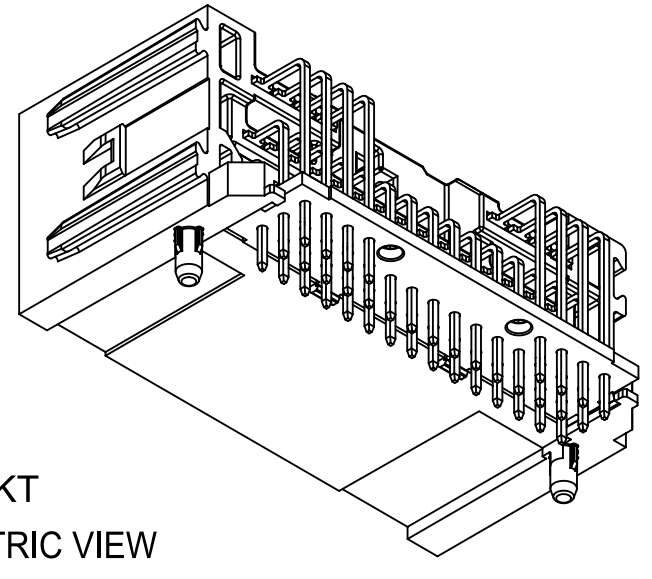
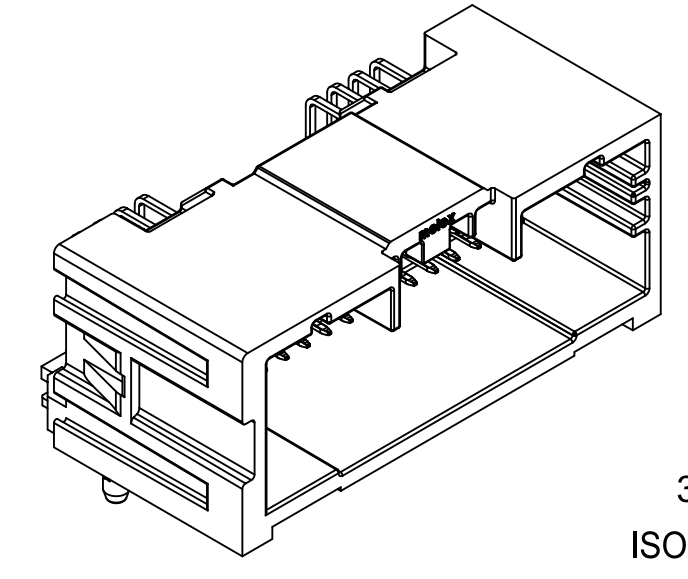
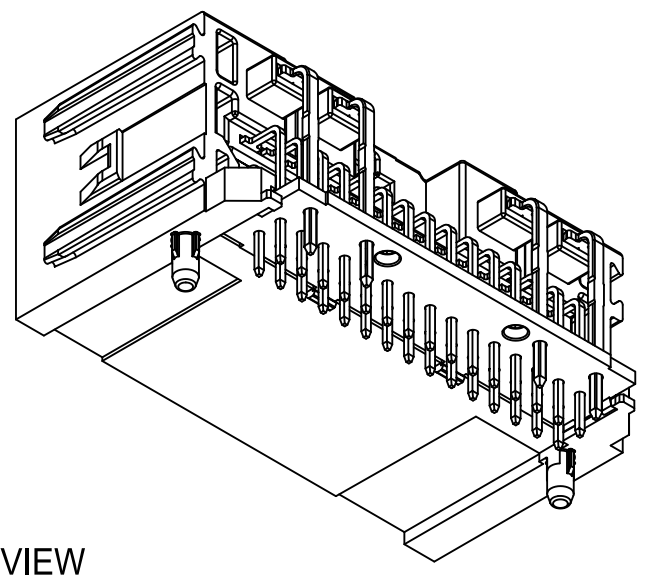
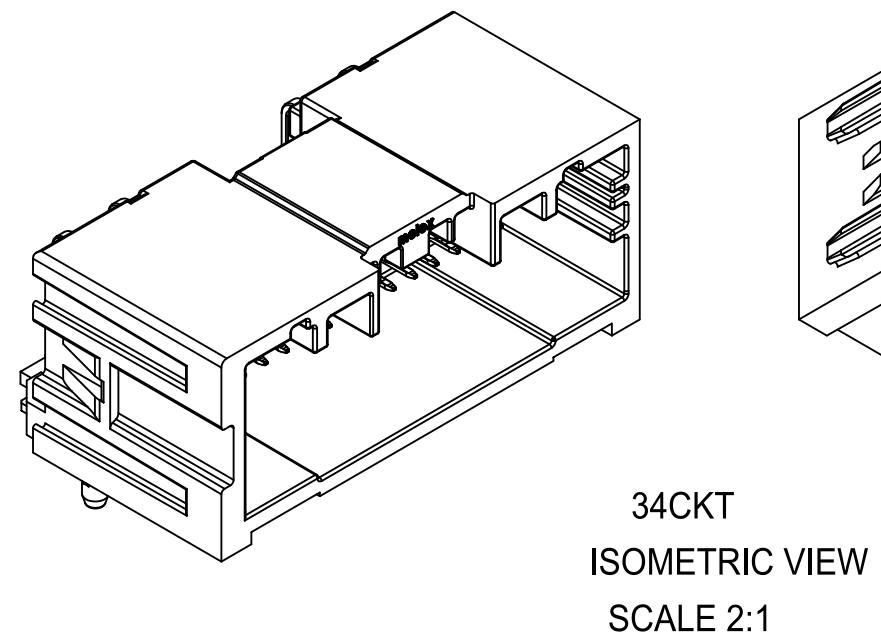


TABLE OF CONTENTS	
SHEET NO.	SHEET DESCRIPTION
1	NOTES, INSPECTION BALLOON NUMBER LOG, NOMINAL DIMENSION RANGE LIST, REV.COLUMN, HEADER ASSEMBLY LIST, ISOMETRIC VIEW
2	34&38CKT POLARIZATION OPTION VIEW, HB/V0 HEADER DIFFERENCE VIEW
3	PIN INSERTION DIRECTION VIEW PAP HOLE SHAPE VIEW
4	DETAIL DIMENSION VIEW
5	DETAIL DIMENSION VIEW
6	REFERENCE PCB LAYOUT



NOTES: VALID UNLESS OTHERWISE SPECIFIED

1. GENERAL:

- a. CONNECTOR HEADER MUST BE VALIDATED TO THE FOLLOWING FUNCTIONAL REQUIREMENTS:  
 HB VALIDATION SPECIFICATION: GMW3191 JUNE 2012  
 V0 VALIDATION SPECIFICATION: USCAR-2 REV6  
 SOLDERABILITY: SMES-152

- b. APPLICATION SPECIFICATION: AS-34959-001

TEST SUMMARY:  
 HB: TS-34961-001  
 V0: 2133550000-TS  
 PRODUCT SPECIFICATION:  
 HB: PS-34959-001  
 V0: 2133550000-PS  
 COSMETIC SPECIFICATION: PS-45499-002 Class B  
 GEOMETRIC TOLERANCING: SEE DIN 16901 TABLE  
 MATES WITH: SD-34959-030  
 PACKAGING SPECIFICATION: SEE TABLE.

2. DESIGN: MATERIALS:

- a. SHROUD (PLASTIC HOUSING):  
 HB RESIN - SPS  
 V0 RESIN - SPS

- b. PIN ALIGNMENT PLATE:  
 HB RESIN - SPS  
 V0 RESIN - SPS

- c. 0.50MM BLADES:  
 BASE MATERIAL: BRASS  
 PLATING TYPE: AS NOTED

- d. 1.20MM BLADES:  
 BASE MATERIAL: BRASS  
 PLATING TYPE: AS NOTED

3. PLATING REQUIREMENTS:

- a. UNDERPLATING - OVERALL NICKEL
- b. OVERPLATING - OVERALL REFLOWED TIN

4. CROSS-HATCHED AREAS MAKE CONTACT WITH PCB

MINI50 34/38CKT RIGHT ANGLE HEADER ASSEMBLY LIST (J5)

MATERIAL NUMBER			CKT SIZE	PIN INSERTION DIRCTION	PAP HOLE SHAPE	FLAMMABILITY UL94	POLARIZATION	COLOR	STATUS
TRAY PACKAGING PK-31302-070	TUBE PACKAGING PK-31301-688	TAPE AND REEL PK-47799-0001							
34961-0340	34961-7340	34961-8340	34	PCB TO MATING	ROUND	HB	A	BLACK	WILL BE OBSOLETE IN 2023
34961-0341	34961-7341	34961-8341	34	PCB TO MATING	ROUND	HB	B	GREY	WILL BE OBSOLETE IN 2023
34961-0342	34961-7342	34961-8342	34	PCB TO MATING	ROUND	HB	C	DK GREY	WILL BE OBSOLETE IN 2023
34961-0380	34961-7380	34961-8380	38	PCB TO MATING	ROUND	HB	A	BLACK	OBSOLETE
34961-0381	34961-7381	34961-8381	38	PCB TO MATING	ROUND	HB	B	GREY	OBSOLETE
34961-0382	34961-7382	34961-8382	38	PCB TO MATING	ROUND	HB	C	DK GREY	OBSOLETE
34961-0383	34961-7383	34961-8383	38	PCB TO MATING	ROUND	HB	UPDATED A	BLACK	WILL BE OBSOLETE IN 2023
34961-0384	34961-7384	34961-8384	38	PCB TO MATING	ROUND	HB	UPDATED B	GREY	WILL BE OBSOLETE IN 2023
34961-0385	34961-7385	34961-8385	38	PCB TO MATING	ROUND	HB	UPDATED C	DK GREY	WILL BE OBSOLETE IN 2023
34961-0343	34961-7343	34961-8343	34	MATING TO PCB	SQUARE	HB	A	BLACK	SALEABLE
34961-0344	34961-7344	34961-8344	34	MATING TO PCB	SQUARE	HB	B	GREY	SALEABLE
34961-0345	34961-7345	34961-8345	34	MATING TO PCB	SQUARE	HB	C	DK GREY	SALEABLE
34961-0386	34961-7386	34961-8386	38	MATING TO PCB	SQUARE	HB	UPDATED A	BLACK	SALEABLE
34961-0387	34961-7387	34961-8387	38	MATING TO PCB	SQUARE	HB	UPDATED B	GREY	SALEABLE
34961-0388	34961-7388	34961-8388	38	MATING TO PCB	SQUARE	HB	UPDATED C	DK GREY	SALEABLE
2133550340	2133557340	2133558340	34	PCB TO MATING	ROUND	V0	A	BLACK	WILL BE OBSOLETE IN 2023
2133550341	2133557341	2133558341	34	PCB TO MATING	ROUND	V0	B	GREY	WILL BE OBSOLETE IN 2023
2133550342	2133557342	2133558342	34	PCB TO MATING	ROUND	V0	C	DK GREY	WILL BE OBSOLETE IN 2023
2133550380	2133557380	2133558380	38	PCB TO MATING	ROUND	V0	UPDATED A	BLACK	WILL BE OBSOLETE IN 2023
2133550381	2133557381	2133558381	38	PCB TO MATING	ROUND	V0	UPDATED B	GREY	WILL BE OBSOLETE IN 2023
2133550382	2133557382	2133558382	38	PCB TO MATING	ROUND	V0	UPDATED C	DK GREY	WILL BE OBSOLETE IN 2023
2133550343	2133557343	2133558343	34	MATING TO PCB	SQUARE	V0	A	BLACK	SALEABLE
2133550344	2133557344	2133558344	34	MATING TO PCB	SQUARE	V0	B	GREY	SALEABLE
2133550345	2133557345	2133558345	34	MATING TO PCB	SQUARE	V0	C	DK GREY	SALEABLE
2133550383	2133557383	2133558383	38	MATING TO PCB	SQUARE	V0	UPDATED A	BLACK	SALEABLE
2133550384	2133557384	2133558384	38	MATING TO PCB	SQUARE	V0	UPDATED B	GREY	SALEABLE
2133550385	2133557385	2133558385	38	MATING TO PCB	SQUARE	V0	UPDATED C	DK GREY	SALEABLE

J6	CREATED NEW REVISION TO UPLOAD DRAWING IN MDS SYSTEM	CO-00000910
J5	SHEET 1: ADDED NEW PART NUMBER IN TABLE SHEET 1: ADDED NOTE 4 SHEET 3: ADDED SHEET TO SHOW PIN INSERTION DIRECTION VIEW AND PAP HOLE SHAPE VIEW	CO-00000910
J4	SHEET 3: UPDATED BALLOON NUMBER	668374
J3	1. SHEET 1: UPDATED NOTES INFORMATION 2. SHEET 3: ADDED "BEFORE SOLDERING" NOTE TO DIM 3 3. SHEET 3: ADDED DIM 3A	663659
J2	1. SHEET 1: UPDATED NOTES INFORMATION 2. SHEET 1: UPDATED V0 PRODUCT STATUS 3. SHEET 4: DIM 3: 10.77±0.18 WAS 10.77(+0.13/-0.08) 4. SHEET 5: REMOVED BALLOON NUMBER FOR DIMENSION OF PCB LAYOUT	658910
J1	1. UPDATED BELOW PART NUMBER STATUS TO OBSOLETE: 34961-0380, 34961-7380, 34961-8380 34961-0381, 34961-7381, 34961-8381 34961-0382, 34961-7382, 34961-8382 2. UPDATED BELOW V0 PART NUMBER STATUS TO SALEABLE: 2133550340, 2133557340, 2133558340 3. ADDED V0 VALIDATION SPECIFICATION & V0 PRODUCT SPECIFICATION INFORMATION IN NOTES	631858
J	1. ADDED V0 NEW PART NUMBER IN SHEET 1: 2133550340, 2133550341, 2133550342, 2133550380, 2133550381, 2133550382 2133557340, 2133557341, 2133557342, 2133557380, 2133557381, 2133557382 2133558340, 2133558341, 2133558342, 2133558380, 2133558381, 2133558382 2. ADDED SHEET 2 TO SHOW 34&38CKT POLARIZATION OPTION & HB / V0 VERSION DIFFERENCE 3. ADDED V0 PLASTIC MATERIAL INFORMATION IN NOTES	626237
H1	1. UPDATED NEWEST VIEW OF THE POLARIZATION OPTION UPDATED A & B C. 2. ADDED DIM1A, DIM 3A, DIM 6A, DIM 7A. 3. UPDATED PRODUCT STATUS. 4. UPDATED DIM 26: 0.4±0.03 WAS 0.4±0.10	609559
H	ADDED THE FOLLOWING ITEMS TO CUSTOMER DRAWING: 1. ADDED DATUM F, DATUM G AND DATUM H, SEE SHEET 2 AND SHEET 3. 2. ADDED NEW UPWARD VIEW FOR 38WAY HEADER ASSEM, SEE SHEET 2. 3. ADDED NEW VIEW SECTION X-X, SECTION Y-Y, SECTION Z-Z AND SECTION W-W, SEE SHEET 3.	10904363
G	ADDED NEW VIEW OF UPDATED POL A & B C, SEE SHEET 1. ADDED NEW P/N: 34961-0383 \ 34961-0384 \ 34961-0385 \ 34961-7383 \ 34961-7384 \ 34961-7385 \ 34961-8383 \ 34961-8384 \ 34961-8385 IN THE BOM ON SHEET 1. ADDED PRODUCT STATUS IN BOM.	10885609
REV	REV DESCRIPTION	ECN SAP NO.

INSPECTION BALLOON NUMBER LOG
PER DRAWING REVISION: J6
LAST BALLOON NUMBER USED: 27
ADDED BALLOON NUMBERS: 3B
REMOVED BALLOON NUMBERS:

DIN 16901	CODE LETTER	NOMINAL DIMENSION RANGE													
		OVER UP TO	0	1	3	6	10	15	22	30	40	53	70	90	120
PRECISION ENGINEERING	A		±0.10	±0.12	±0.14	±0.16	±0.20	±0.22	±0.24	±0.26	±0.28	±0.31	±0.35	±0.40	±0.50
	B		±0.05	±0.06	±0.07	±0.08	±0.10	±0.12	±0.14	±0.16	±0.18	±0.21	±0.25	±0.30	±0.40
A: FOR NON-MOLD RELATED DIMENSIONS (ACROSS PARTING LINE)															
B: FOR MOLD RELATED DIMENSIONS (WITHIN MOLD COMPONENTS)															

FUNCTIONAL SYMBOLS	THIS DRAWING CONTAINS INFORMATION THAT IS PROPRIETARY TO MOLEX ELECTRONIC TECHNOLOGIES, LLC AND SHOULD NOT BE USED WITHOUT WRITTEN PERMISSION		CURRENT REV DESC: REFER TO REVISION COLUMN	
	FA = 0	mm	SCALE	3:1
DIVISIONAL SYMBOLS	GENERAL TOLERANCES (UNLESS SPECIFIED)		PHASE: Design Production	
	FC = 0	ANGULAR TOL ± 0.5°	CO NO: CO-00000910	
FUNCTIONAL SYMBOLS	4 PLACES	±	DRWN: Shanks Wu	2022-05-09
	3 PLACES	±	CHK'D: Ringo Hu	2022-05-09
	2 PLACES	±	APPR: Colin Zhang	2022-05-09
	1 PLACE	±	INITIAL REVISION:	
FUNCTIONAL SYMBOLS	0 PLACES	±	DRWN: Shanks Wu	2022-04-25
	DRAFT WHERE APPLICABLE MUST REMAIN WITHIN DIMENSIONS		APPR: Colin Zhang	2022-05-05
THIRD ANGLE PROJECTION		DRAWING	SERIES	MATERIAL NUMBER
D-SIZE		34961	CUSTOMER	
GENERAL MARKET		SHEET NUMBER		
1 OF 6				

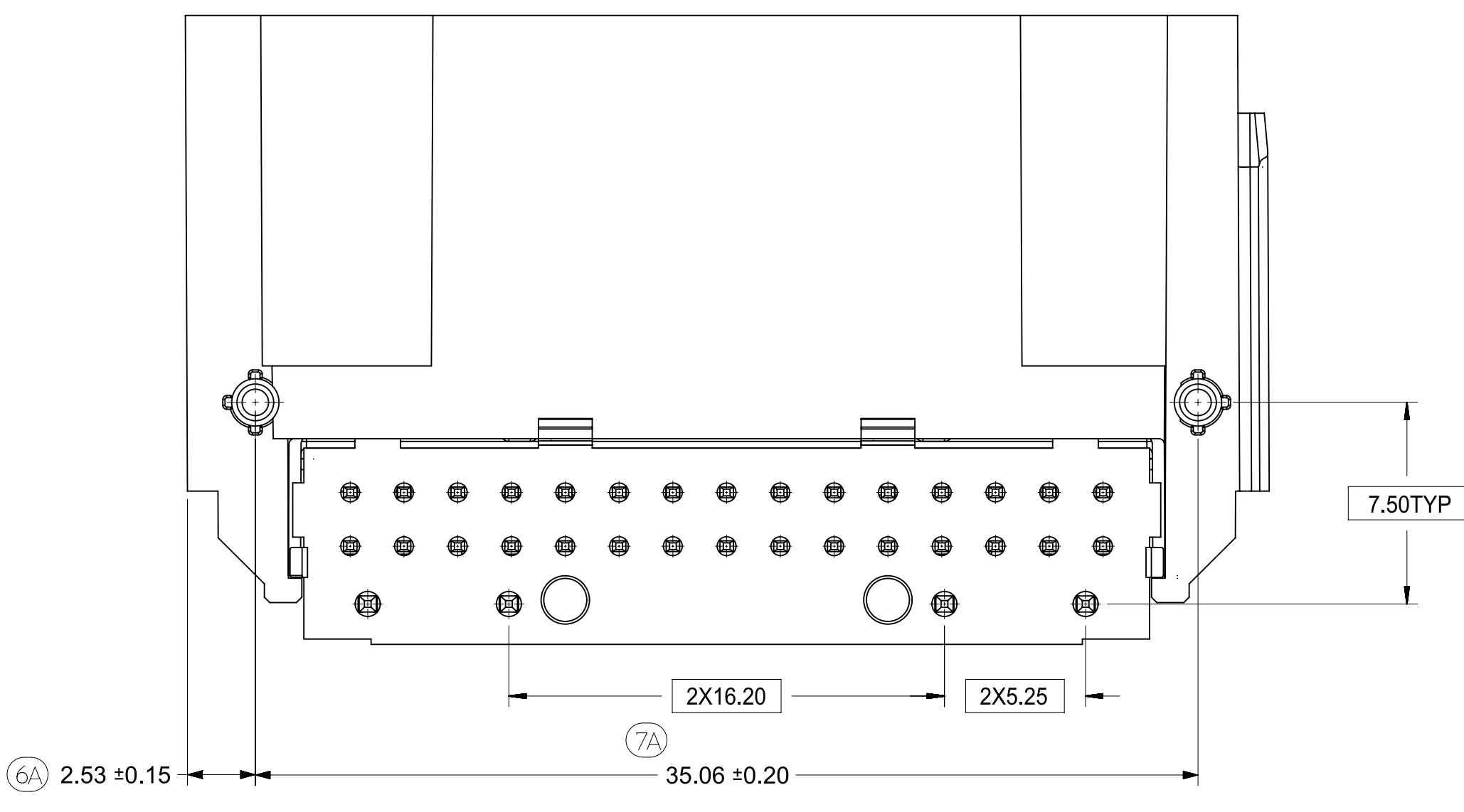
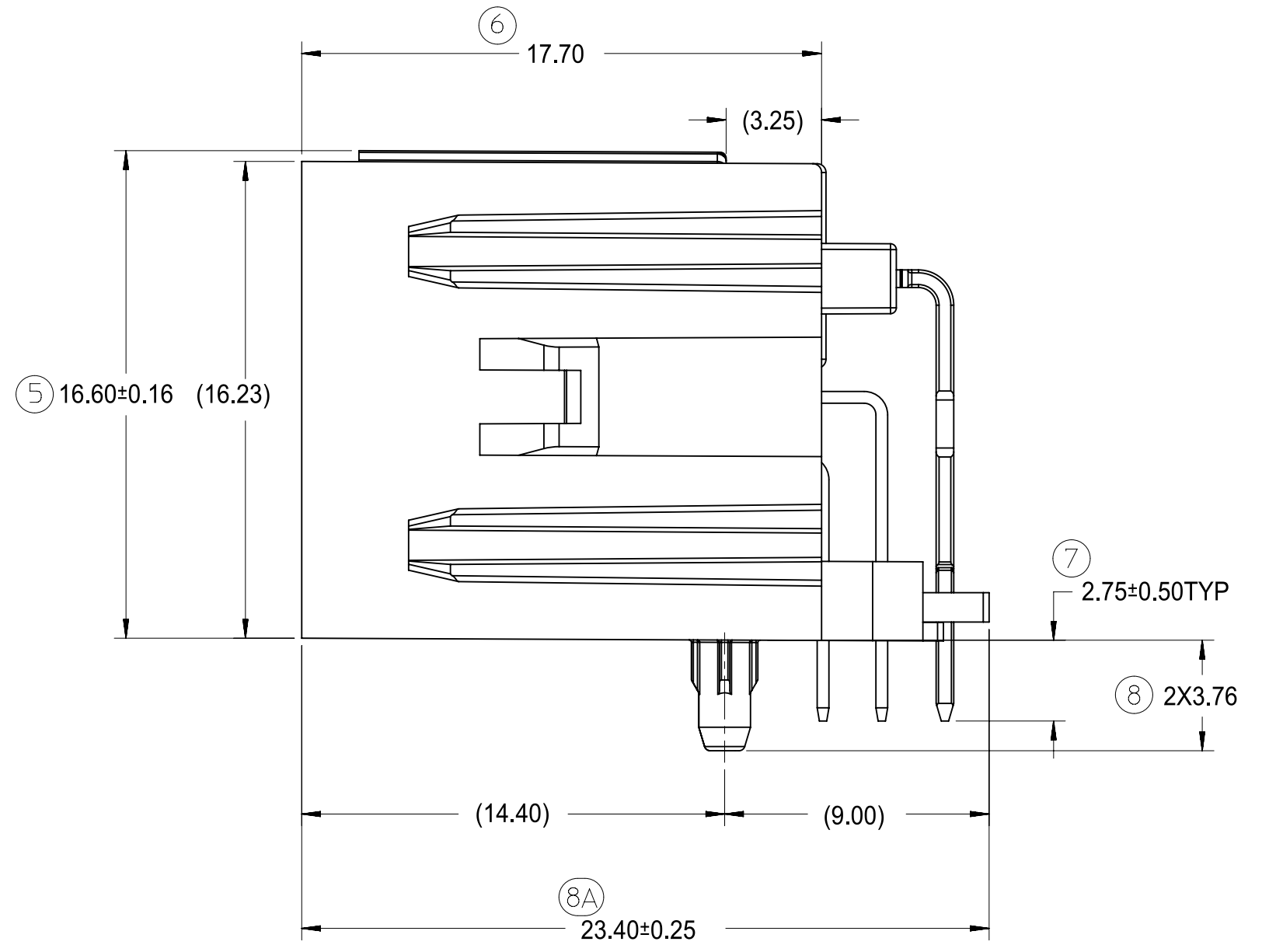
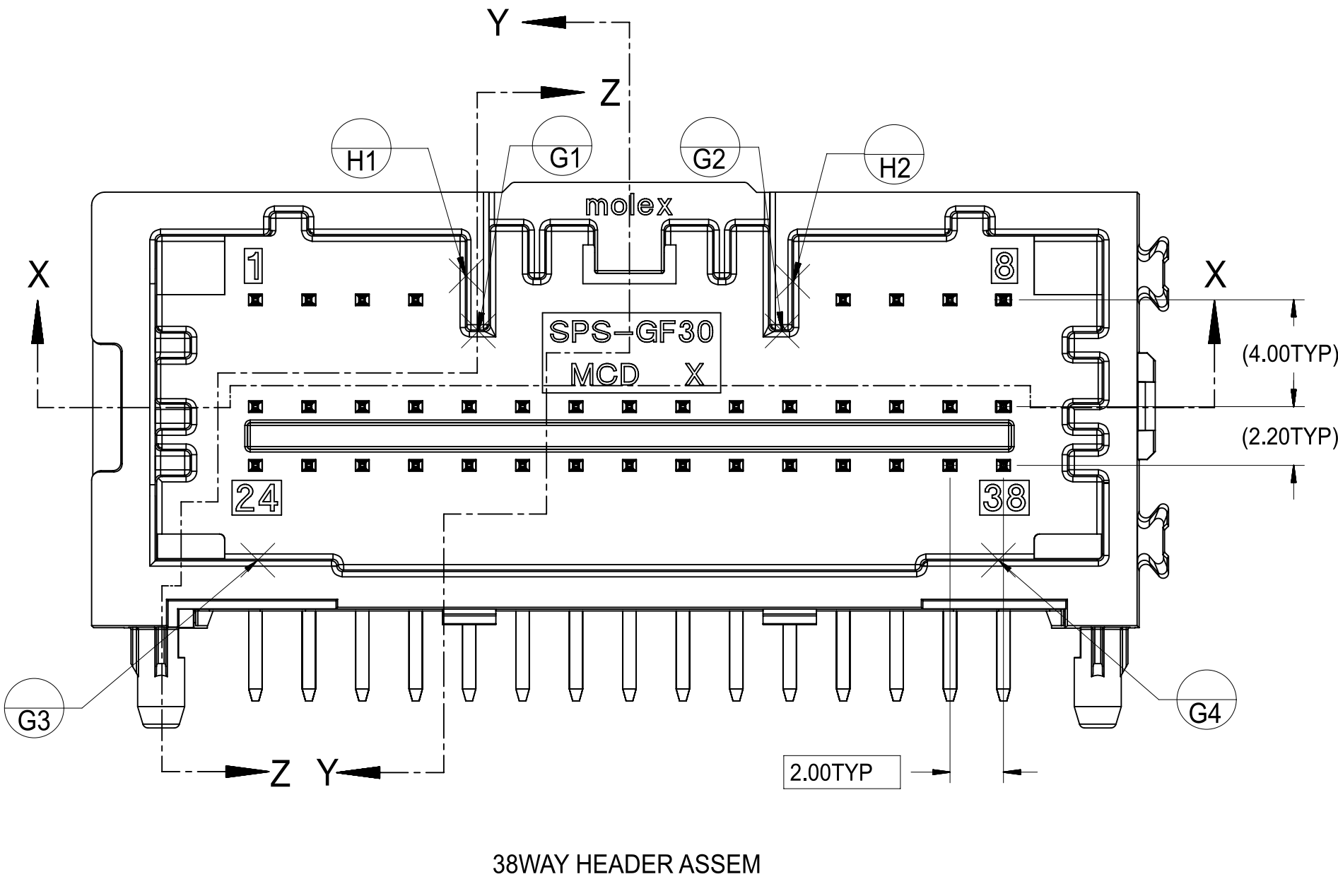
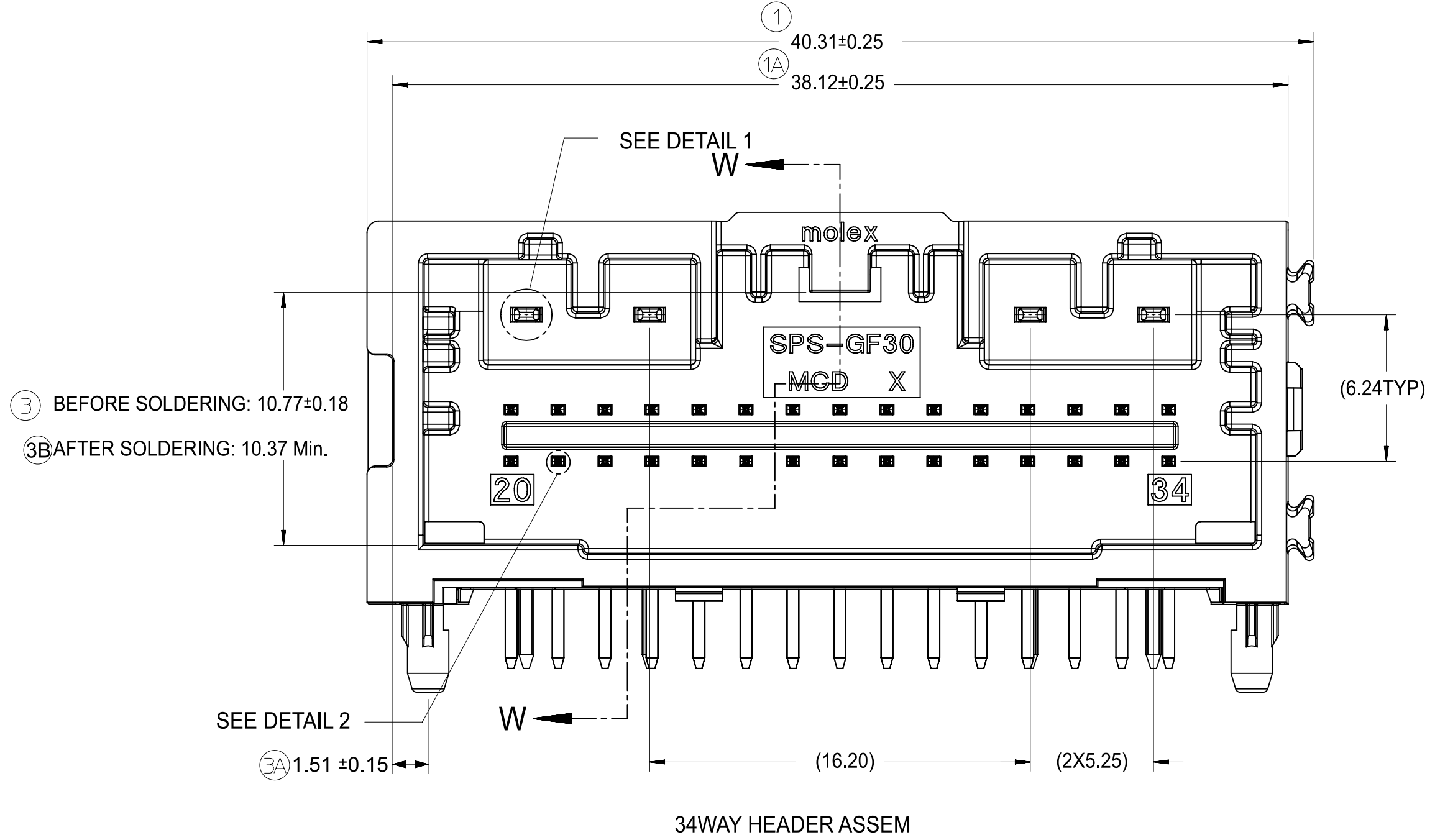


34 & 38CKT MINI50  
RIGHT ANGLE HEADER ASSEMBLY SALES DRAWING

PRODUCT SALES DRAWING

DOCUMENT NUMBER: SD-34961-030  
DOC TYPE: PSD  
DOC PART: 001  
REVISION: J6

TABLE OF CONTENTS	
SHEET NO.	SHEET DESCRIPTION
4	DETAIL DIMENSION VIEW



<b>FUNCTIONAL SYMBOLS</b> $F_A = 0$ $F_C = 0$ $F_P = 0$ <b>DIVISIONAL SYMBOLS</b>	THIS DRAWING CONTAINS INFORMATION THAT IS PROPRIETARY TO MOLEX ELECTRONIC TECHNOLOGIES, LLC AND SHOULD NOT BE USED WITHOUT WRITTEN PERMISSION		CURRENT REV DESC: REFER TO REVISION COLUMN			
	DIMENSION UNITS	SCALE	PHASE: Design Production			
	mm	5:1	CO NO: CO-00000910			
	GENERAL TOLERANCES (UNLESS SPECIFIED)		DRWN: Shanks Wu 2022-05-09			
ANGULAR TOL ± 0.5°		CHK'D: Ringo Hu 2022-05-09				
4 PLACES ±		APPR: Colin Zhang 2022-05-09				
3 PLACES ±		INITIAL REVISION:				
2 PLACES ±		DRWN: Shanks Wu 2022-04-25				
1 PLACE ±		APPR: Colin Zhang 2022-05-05				
0 PLACES ±		THIRD ANGLE PROJECTION				
DRAFT WHERE APPLICABLE MUST REMAIN WITHIN DIMENSIONS		DRAWING	SERIES	MATERIAL NUMBER	CUSTOMER	SHEET NUMBER
		D-SIZE	34961	SD-34961-030	GENERAL MARKET	4 OF 6

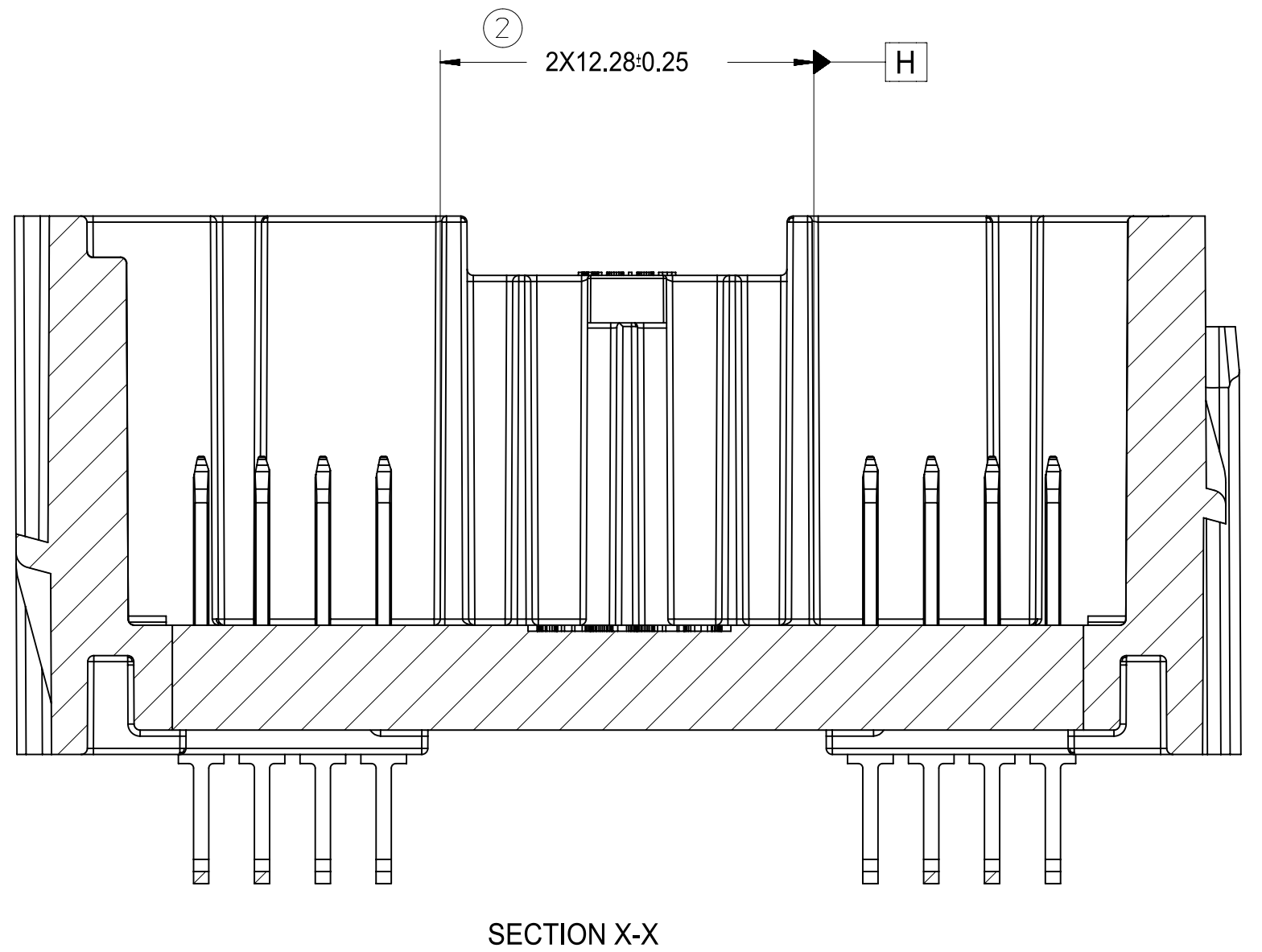
**molex**

34 & 38CKT MINI50  
RIGHT ANGLE HEADER ASSEMBLY SALES DRAWING

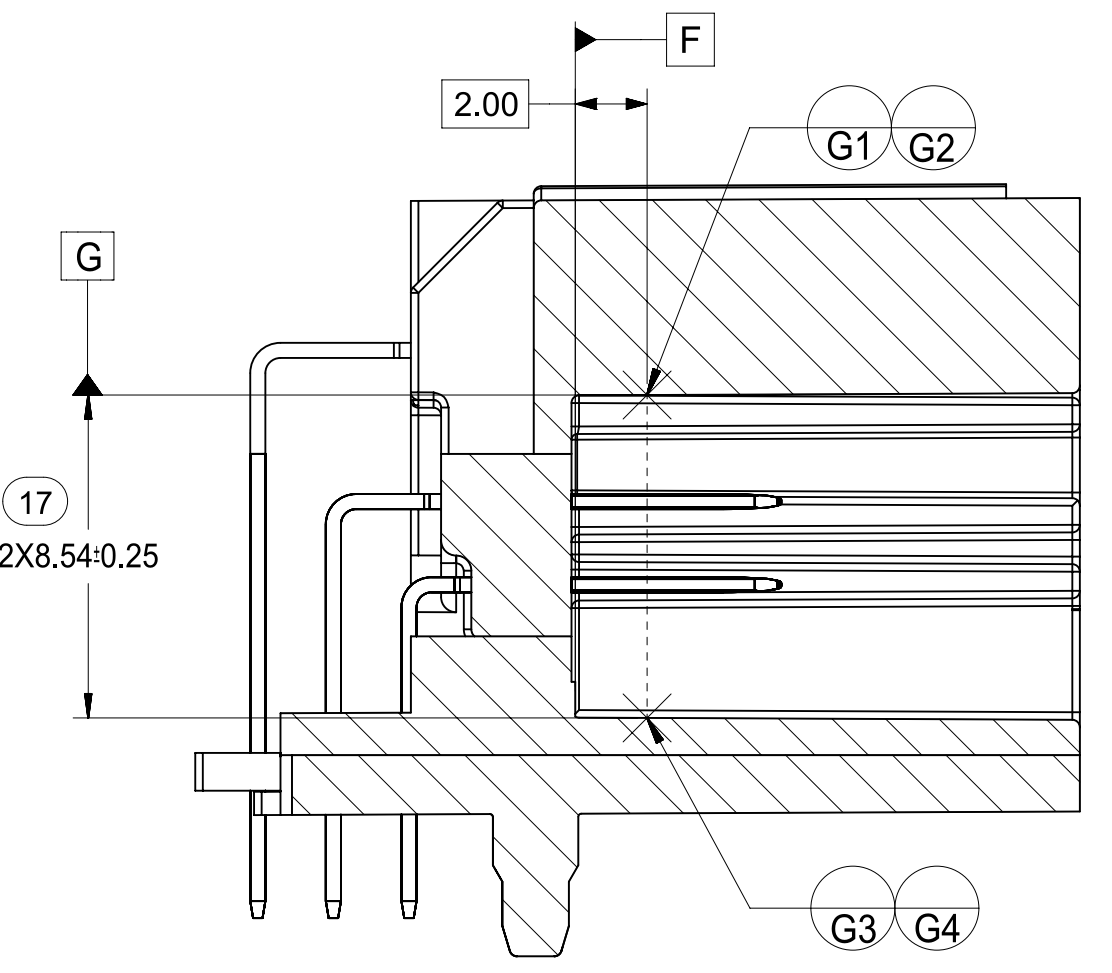
PRODUCT SALES DRAWING

DOCUMENT NUMBER: SD-34961-030  
DOC TYPE: PSD  
DOC PART: 001  
REVISION: J6

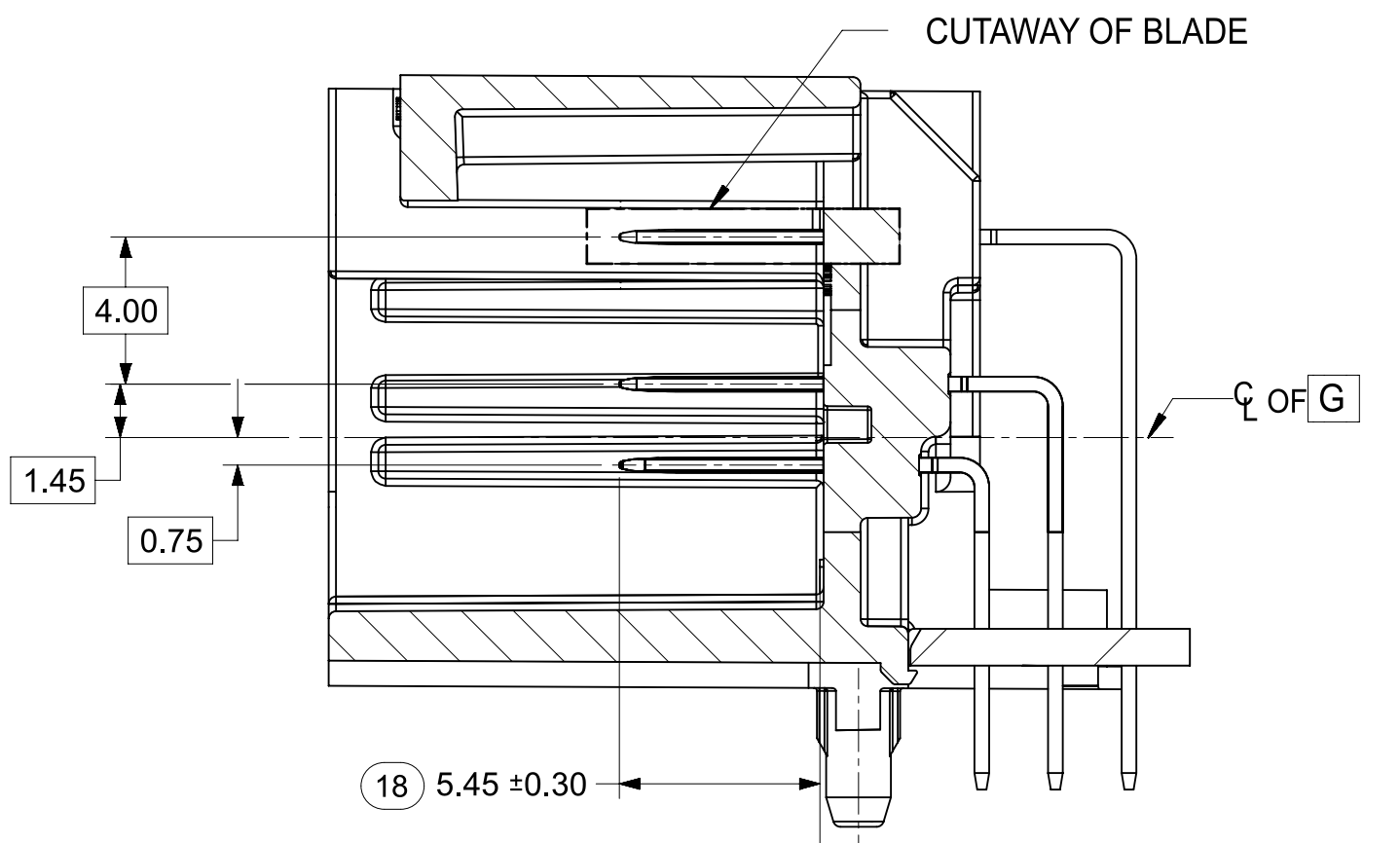
TABLE OF CONTENTS	
SHEET NO.	SHEET DESCRIPTION
5	DETAIL DIMENSION VIEW



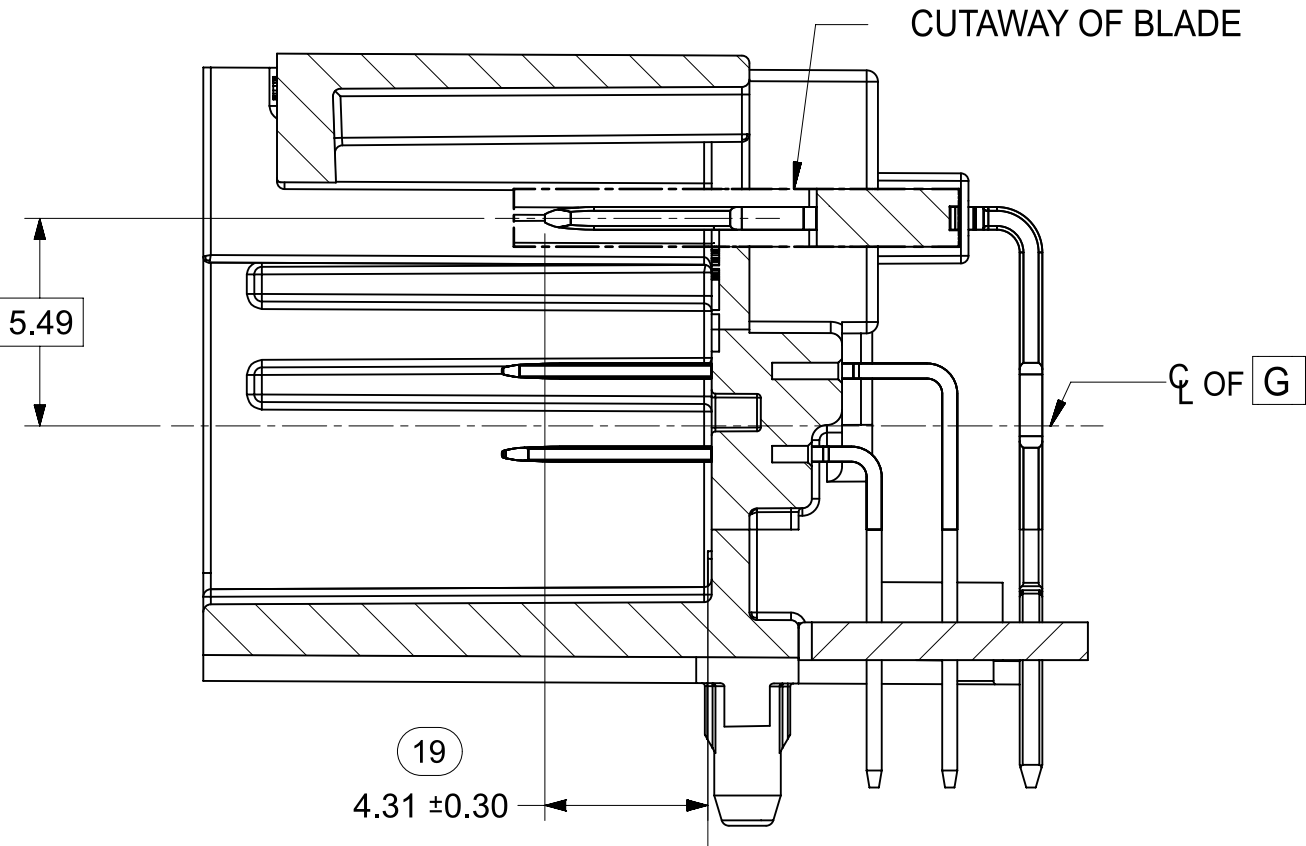
SECTION X-X



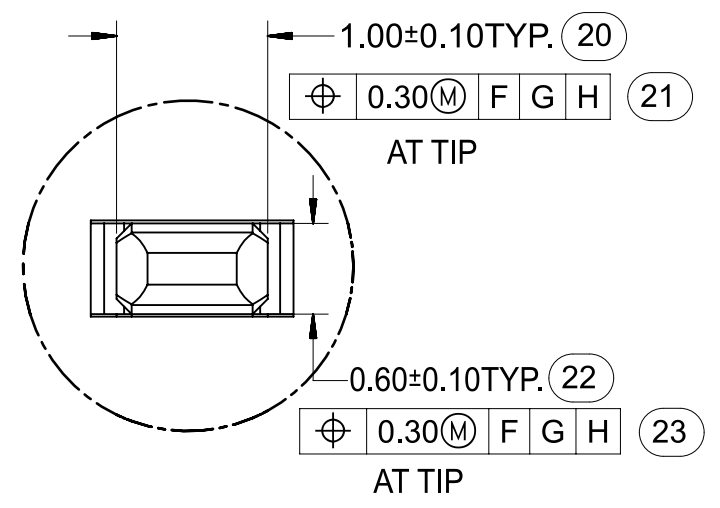
SECTION Z-Z



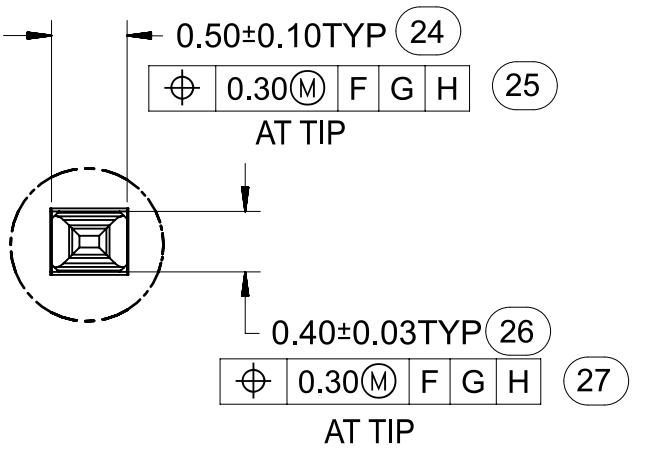
SECTION Y-Y



SECTION W-W



DETAIL 1  
SCALE 20:1



DETAIL 2  
SCALE 20:1

FUNCTIONAL SYMBOLS	THIS DRAWING CONTAINS INFORMATION THAT IS PROPRIETARY TO MOLEX ELECTRONIC TECHNOLOGIES, LLC AND SHOULD NOT BE USED WITHOUT WRITTEN PERMISSION		CURRENT REV DESC: REFER TO REVISION COLUMN	
	DIMENSION UNITS	SCALE		
$F_A = 0$	mm	5:1		
$F_C = 0$	GENERAL TOLERANCES (UNLESS SPECIFIED)			
	ANGULAR TOL ± 0.5°			
DIVISIONAL SYMBOLS	4 PLACES	±	PHASE: Design Production	
	3 PLACES	±	CO NO: CO-00000910	
	2 PLACES	±	DRWN: Shanks Wu 2022-05-09	
	1 PLACE	±	CHK'D: Ringo Hu 2022-05-09	
	0 PLACES	±	APPR: Colin Zhang 2022-05-09	
DRAFT WHERE APPLICABLE MUST REMAIN WITHIN DIMENSIONS		THIRD ANGLE PROJECTION	DRAWING	SERIES
			D-SIZE	34961
			MATERIAL NUMBER	CUSTOMER
			SD-34961-030	GENERAL MARKET
			DOCUMENT NUMBER	DOC TYPE   DOC PART   REVISION
			PSD	001   J6
			SHEET NUMBER	
			5 OF 6	

**molex**

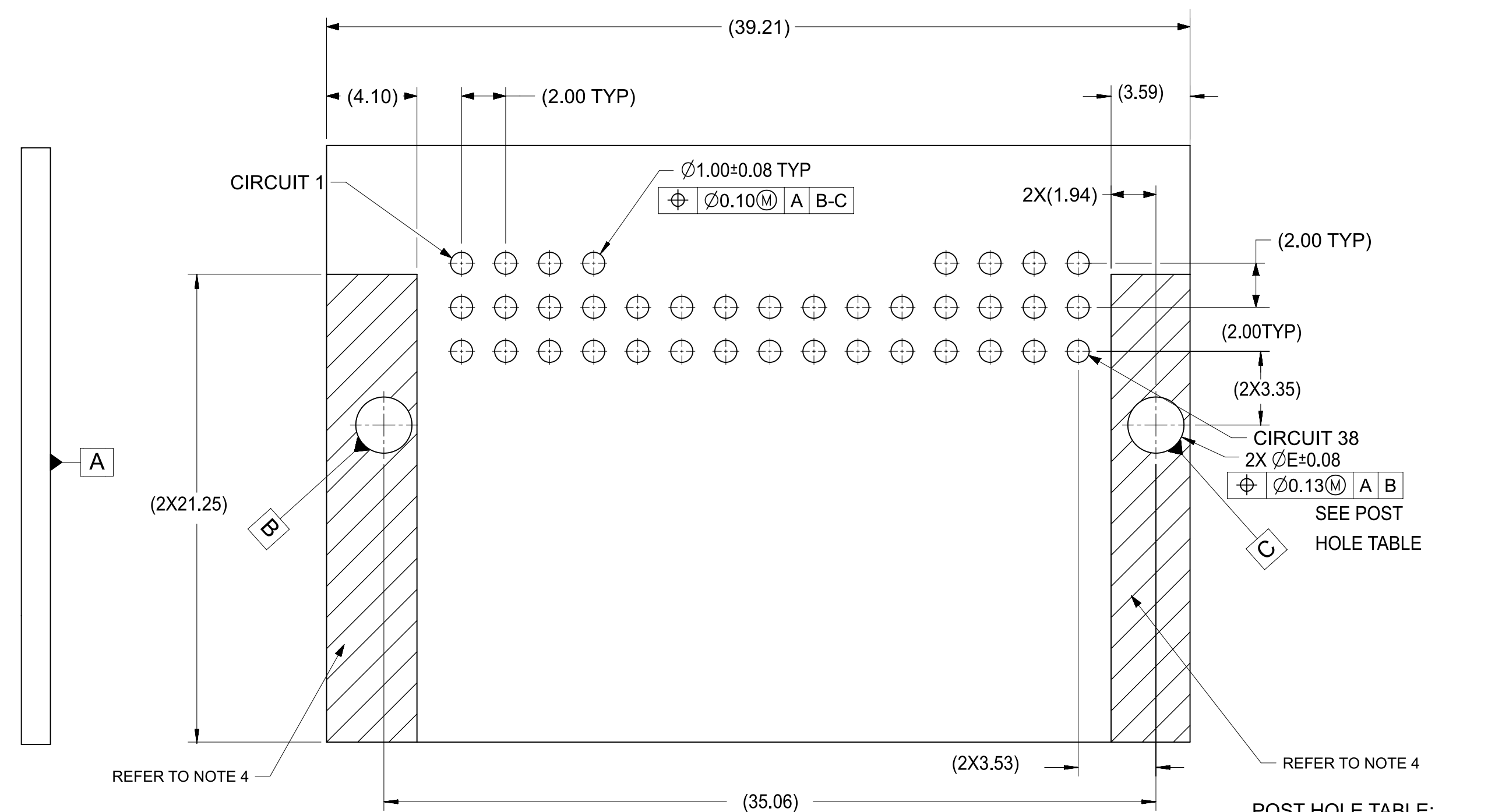
34 & 38CKT MINI50  
RIGHT ANGLE HEADER ASSEMBLY SALES DRAWING

PRODUCT SALES DRAWING

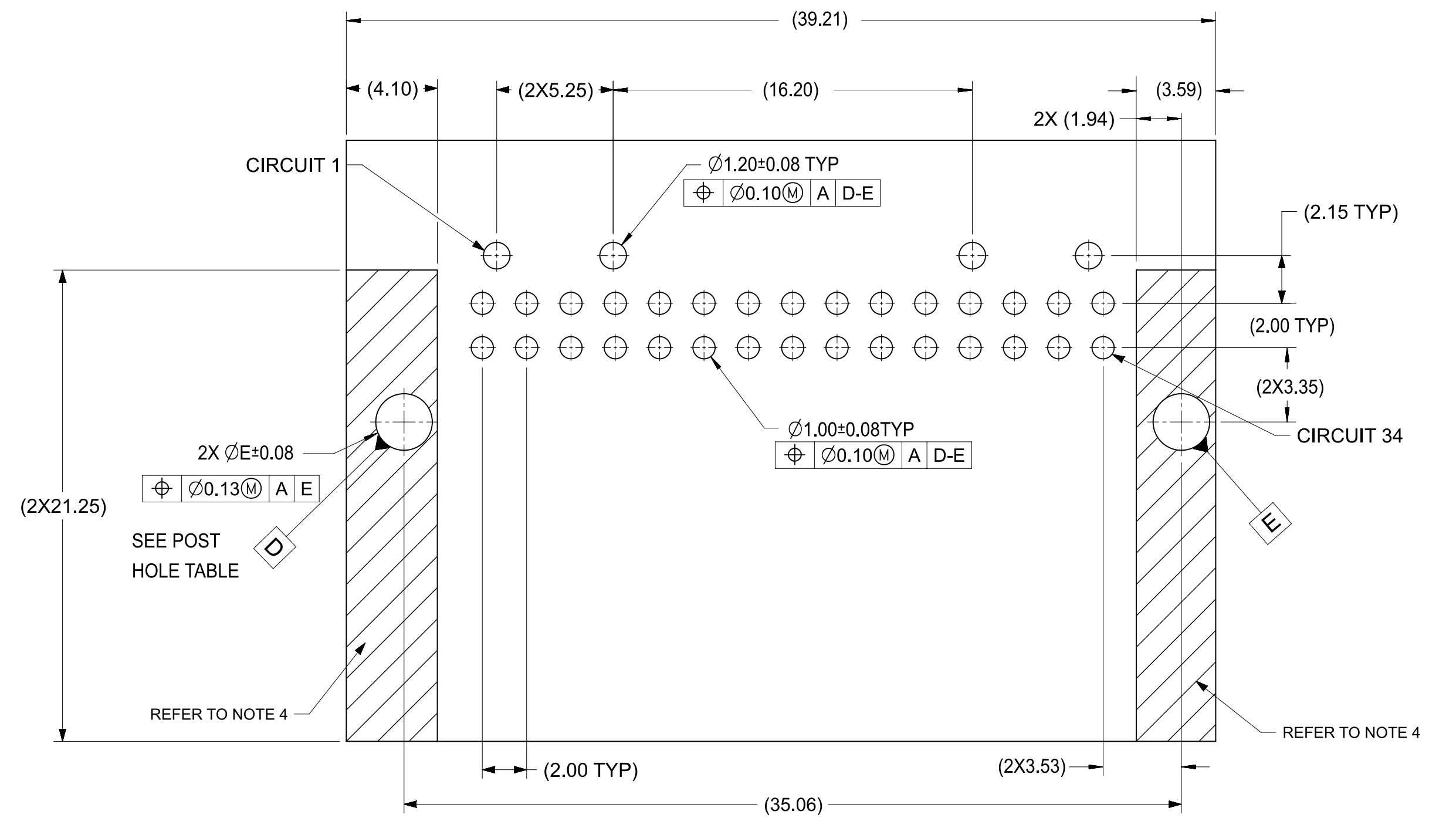
DOCUMENT NUMBER: SD-34961-030 | DOC TYPE: PSD | DOC PART: 001 | REVISION: J6

MATERIAL NUMBER: SD-34961-030 | CUSTOMER: GENERAL MARKET | SHEET NUMBER: 5 OF 6

TABLE OF CONTENTS	
SHEET NO.	SHEET DESCRIPTION
6	REFERENCE PCB LAYOUT



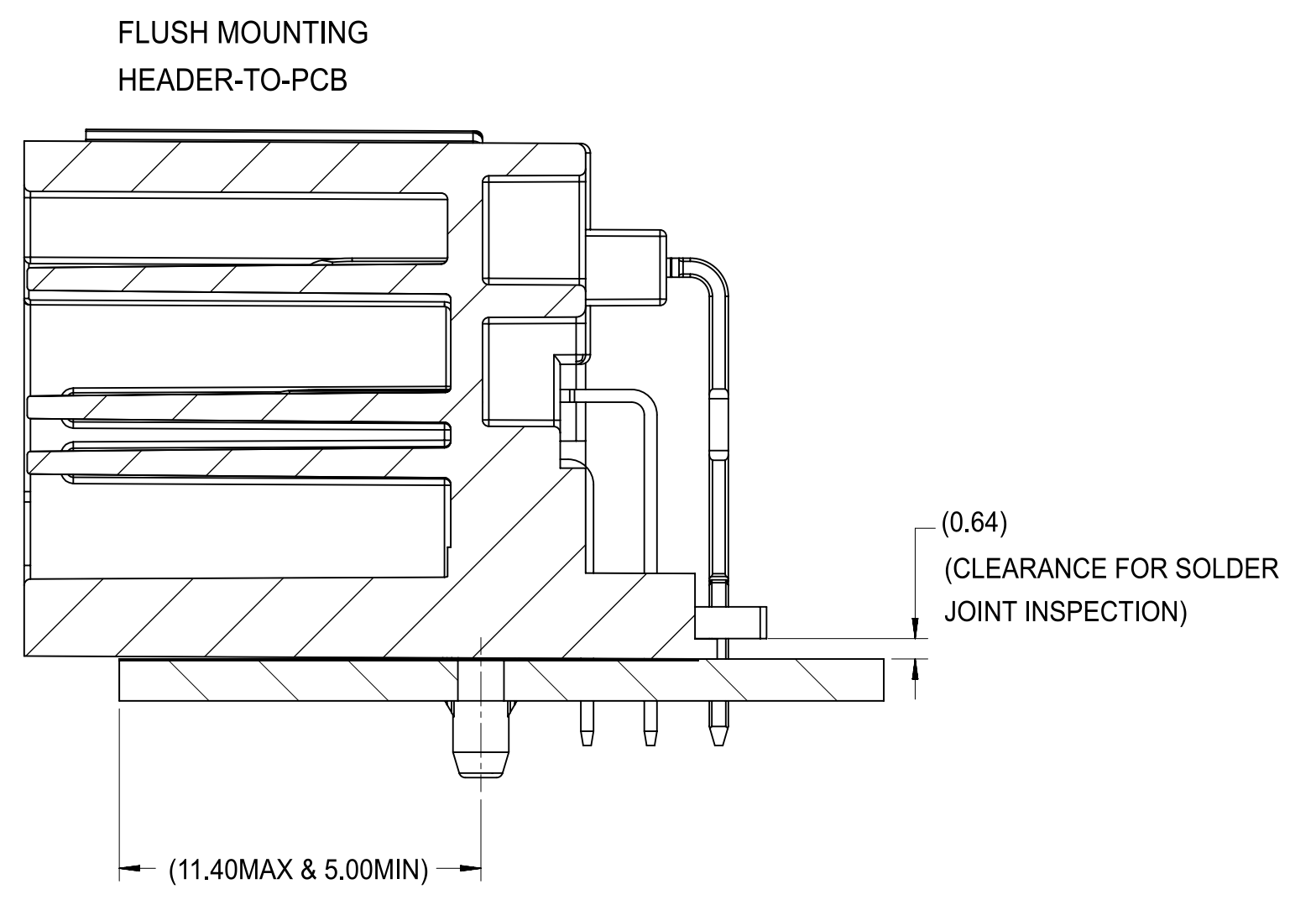
REFERENCE 38WAY PCB LAYOUT



REFERENCE 34WAY PCB LAYOUT

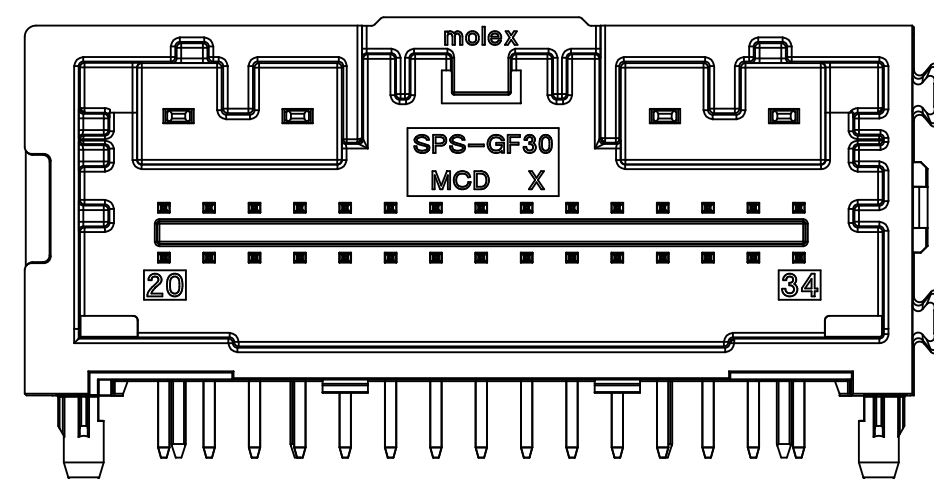
POST HOLE TABLE:

FOR DIM E:	
PRESS FIT:	2.15
DROP IN:	2.55

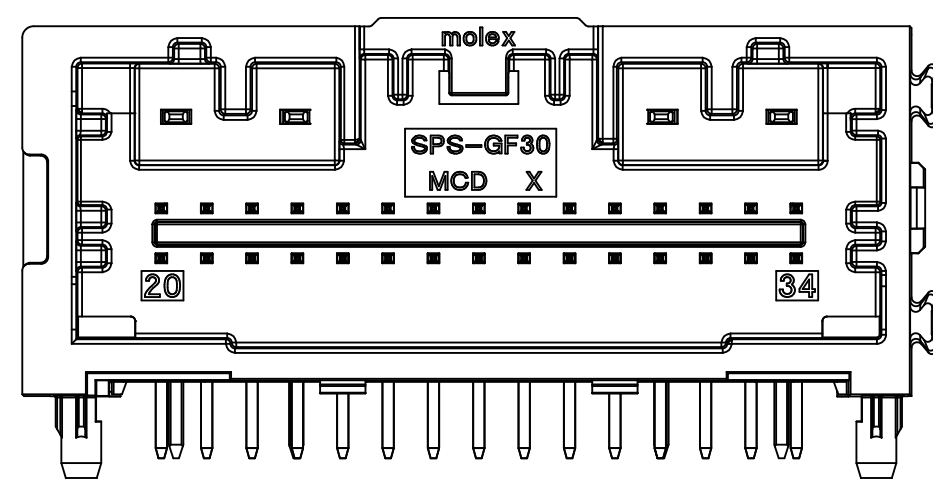


FUNCTIONAL SYMBOLS $F_A = 0$ $F_C = 0$ $F_P = 0$	THIS DRAWING CONTAINS INFORMATION THAT IS PROPRIETARY TO MOLEX ELECTRONIC TECHNOLOGIES, LLC AND SHOULD NOT BE USED WITHOUT WRITTEN PERMISSION DIMENSION UNITS: <b>mm</b> SCALE: <b>5:1</b>	CURRENT REV DESC: REFER TO REVISION COLUMN PHASE: Design Production CO NO: CO-00000910 DRWN: Shanks Wu 2022-05-09 CHK'D: Ringo Hu 2022-05-09 APPR: Colin Zhang 2022-05-09			
	GENERAL TOLERANCES (UNLESS SPECIFIED) ANGULAR TOL $\pm 0.5^\circ$ 4 PLACES $\pm$ 3 PLACES $\pm$ 2 PLACES $\pm$ 1 PLACE $\pm$ 0 PLACES $\pm$	INITIAL REVISION: DRWN: Shanks Wu 2022-04-25 APPR: Colin Zhang 2022-05-05	PRODUCT SALES DRAWING DOCUMENT NUMBER: <b>SD-34961-030</b> DOC TYPE: PSD DOC PART: 001 REVISION: <b>J6</b>		
DRAFT WHERE APPLICABLE MUST REMAIN WITHIN DIMENSIONS	THIRD ANGLE PROJECTION 	DRAWING: <b>D-SIZE</b> SERIES: <b>34961</b>	MATERIAL NUMBER <b>SD-34961-030</b>	CUSTOMER <b>GENERAL MARKET</b>	SHEET NUMBER <b>6 OF 6</b>

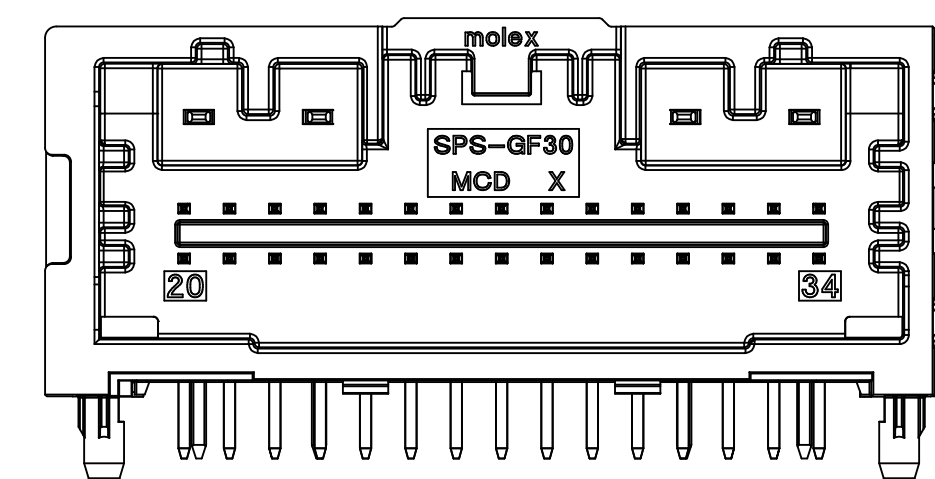
SHEET NO.	SHEET DESCRIPTION
2	34&38CKT POLARIZATION OPTION VIEW HB/V0 HEADER DIFFERENCE VIEW



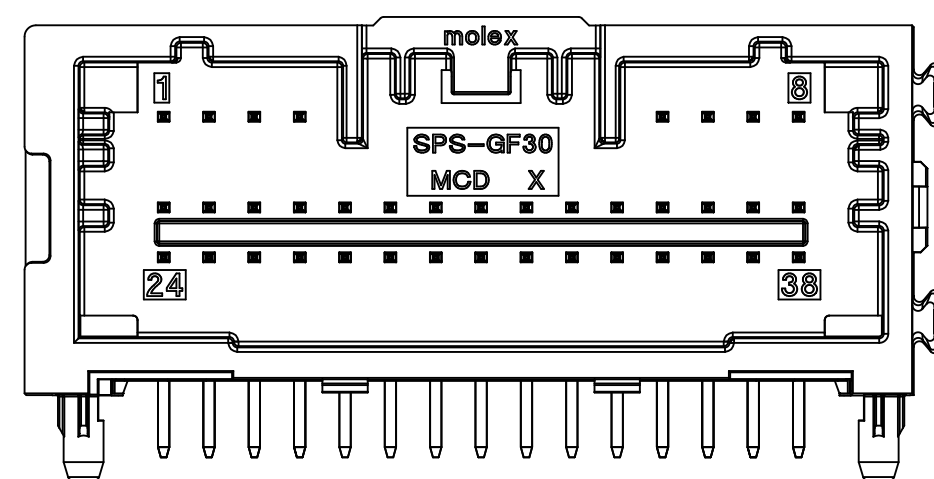
34CKT POLARIZATION OPTION A



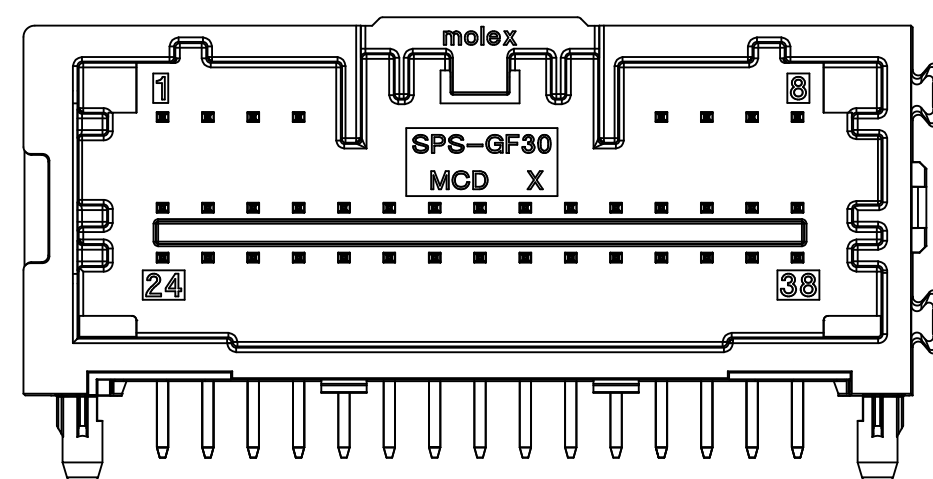
34CKT POLARIZATION OPTION B



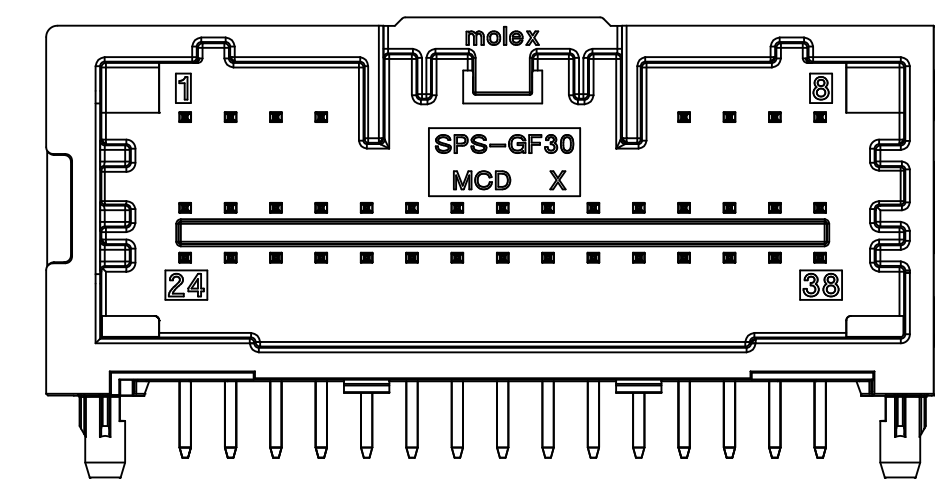
34CKT POLARIZATION OPTION C



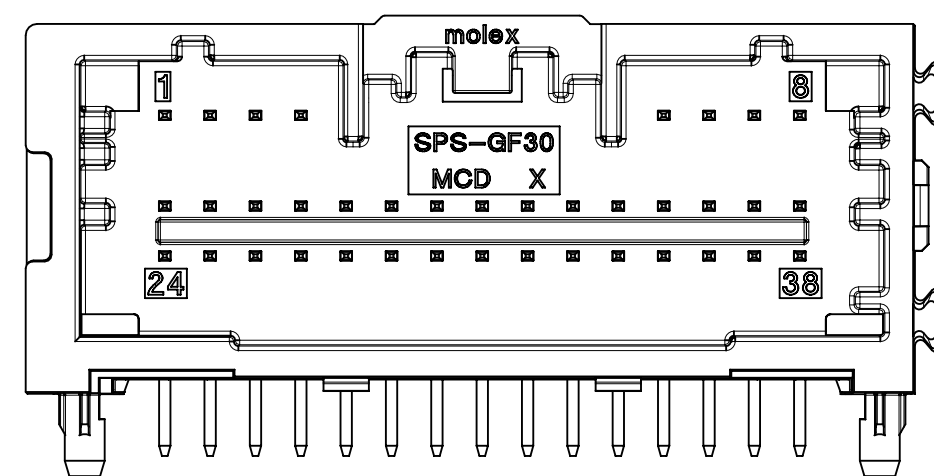
38CKT POLARIZATION OPTION A  
(OBSOLETE)



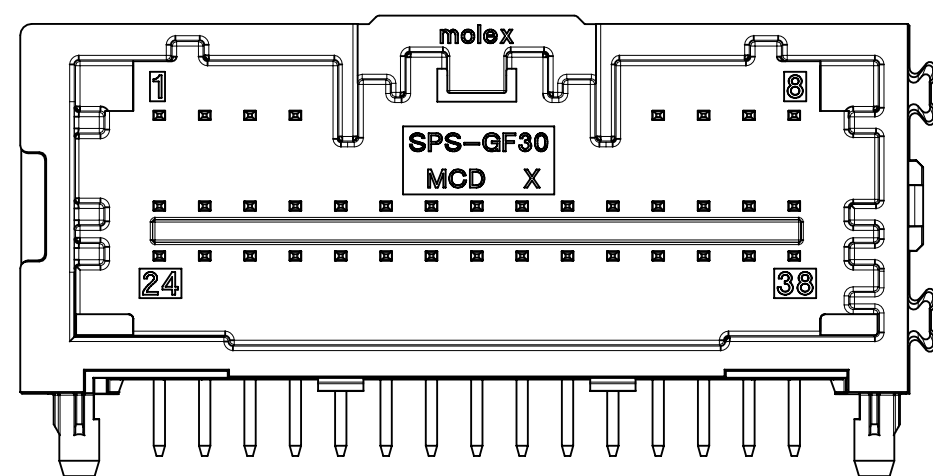
38CKT POLARIZATION OPTION B  
(OBSOLETE)



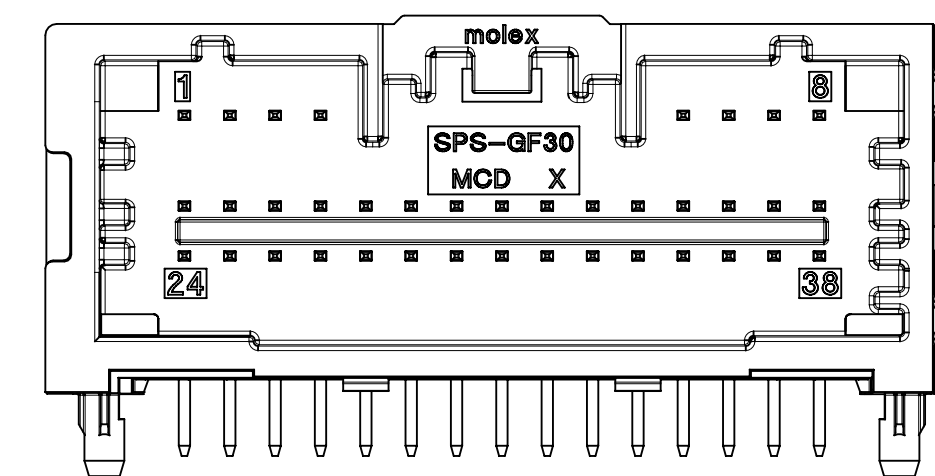
38CKT POLARIZATION OPTION C  
(OBSOLETE)



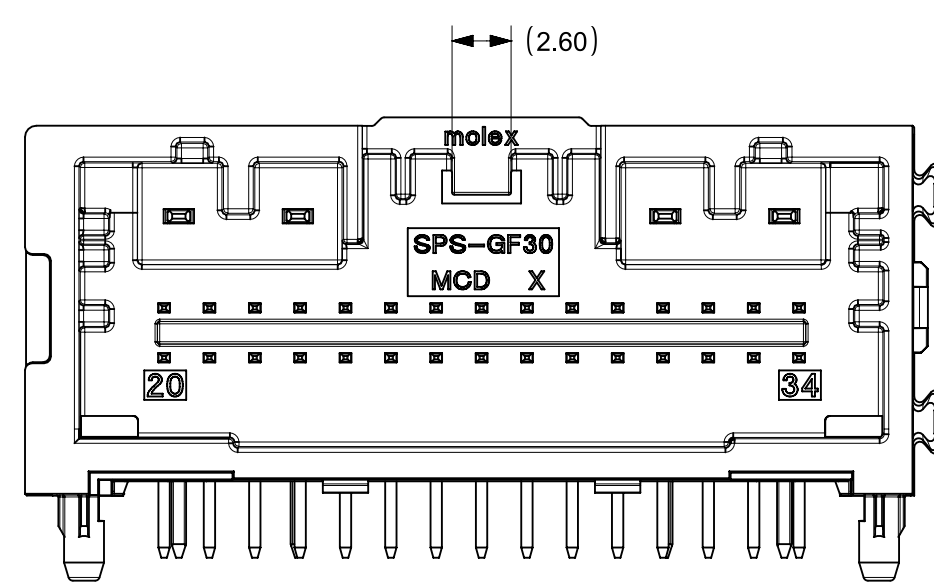
38CKT POLARIZATION OPTION UPDATED A



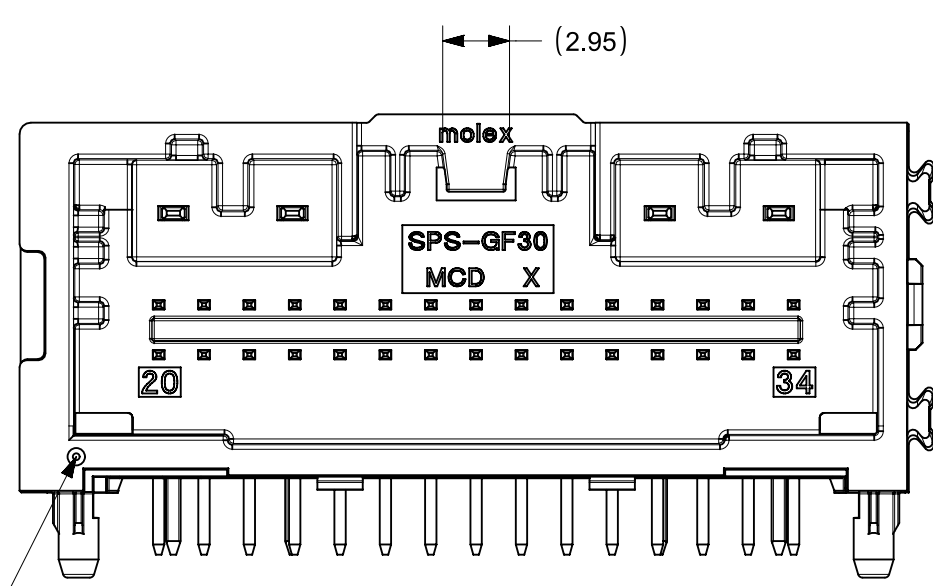
38CKT POLARIZATION OPTION UPDATED B



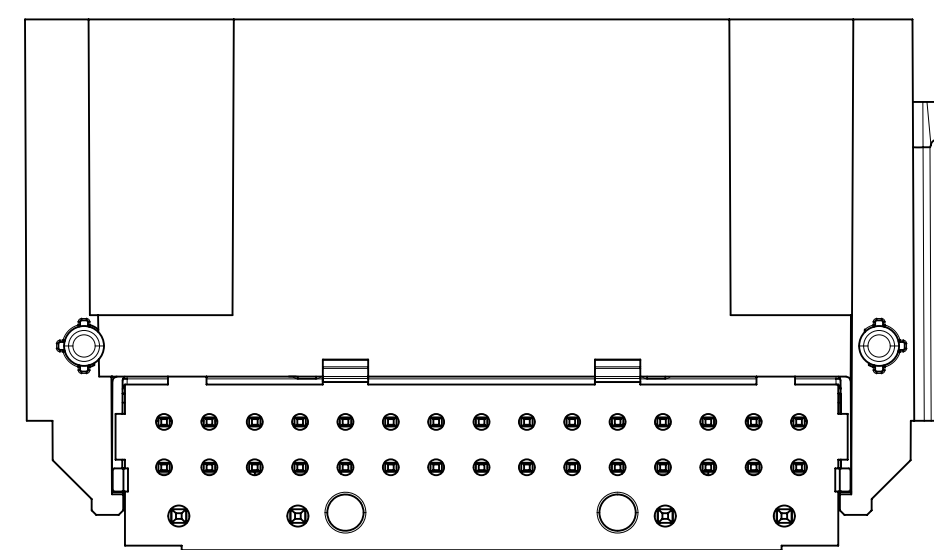
38CKT POLARIZATION OPTION UPDATED C



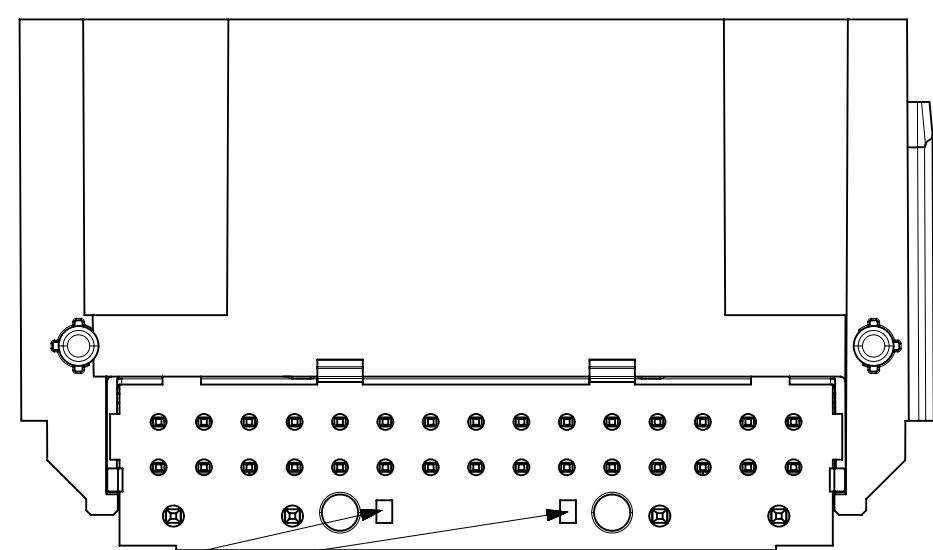
HB / V0 VERSION DIFFERENCE



DEPRESSION FEATURE ADDED TO V0 PART TO DISTINGUISH FROM HB PART



HB P/Ns: 34961XXXX  
APPLIES TO ALL CKT SIZES, USE 34CKT AS SHOWN



HOLE FEATURE ADDED TO V0 PART TO DISTINGUISH FROM HB PART

V0 P/Ns: 213355XXXX  
APPLIES TO ALL CKT SIZES, USE 34CKT AS SHOWN

FUNCTIONAL SYMBOLS	THIS DRAWING CONTAINS INFORMATION THAT IS PROPRIETARY TO MOLEX ELECTRONIC TECHNOLOGIES, LLC AND SHOULD NOT BE USED WITHOUT WRITTEN PERMISSION		CURRENT REV DESC: REFER TO REVISION COLUMN	
	DIMENSION UNITS	SCALE		
$F_A = 0$	mm	3:1		
$F_C = 0$	GENERAL TOLERANCES (UNLESS SPECIFIED)			
$F_P = 0$	ANGULAR TOL $\pm 0.5^\circ$			
DIVISIONAL SYMBOLS	4 PLACES	$\pm$	PHASE: Design Production	
	3 PLACES	$\pm$	CO NO: CO-00000910	
	2 PLACES	$\pm$	DRWN: Shanks Wu	2022-05-09
	1 PLACE	$\pm$	CHK'D: Ringo Hu	2022-05-09
	0 PLACES	$\pm$	APPR: Colin Zhang	2022-05-09
DRAFT WHERE APPLICABLE MUST REMAIN WITHIN DIMENSIONS		THIRD ANGLE PROJECTION	DRAWING	SERIES
			D-SIZE	34961
		MATERIAL NUMBER		CUSTOMER
		SD-34961-030		GENERAL MARKET
		DOC TYPE	DOC PART	REVISION
		PSD	001	J6
		SHEET NUMBER		
		2 OF 6		

**molex**

34 & 38CKT MINI50  
RIGHT ANGLE HEADER ASSEMBLY SALES DRAWING

PRODUCT SALES DRAWING

DOCUMENT NUMBER

SD-34961-030

DOC TYPE

PSD 001 J6

REVISION

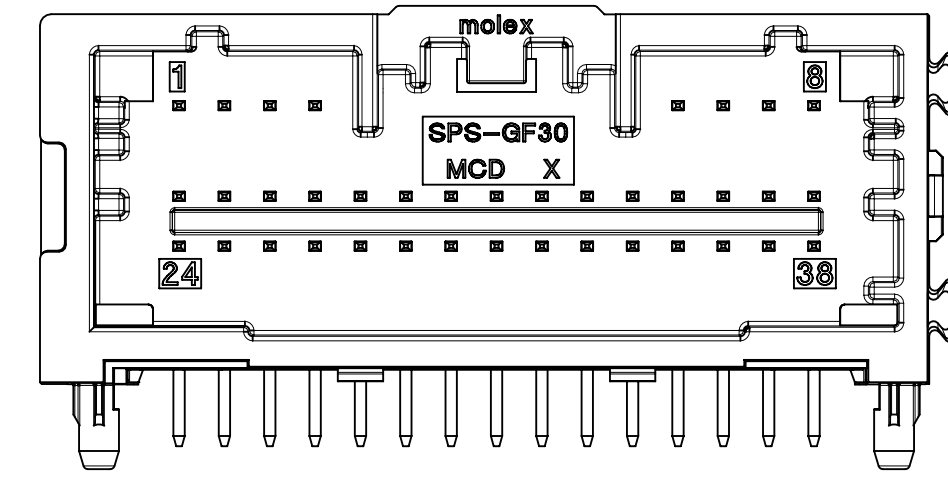
SHEET NUMBER

2 OF 6

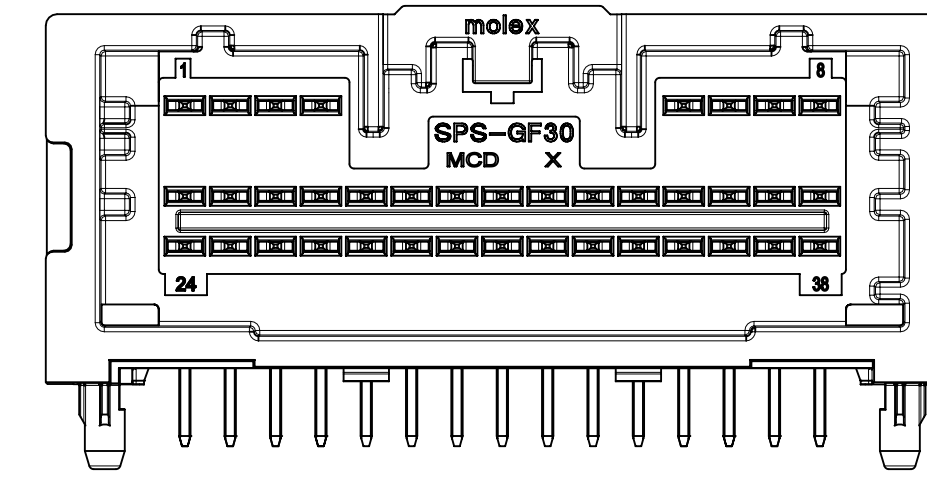


SHEET NO.	SHEET DESCRIPTION
3	PIN INSERTION DIRECTION VIEW PAP HOLE SHAPE VIEW

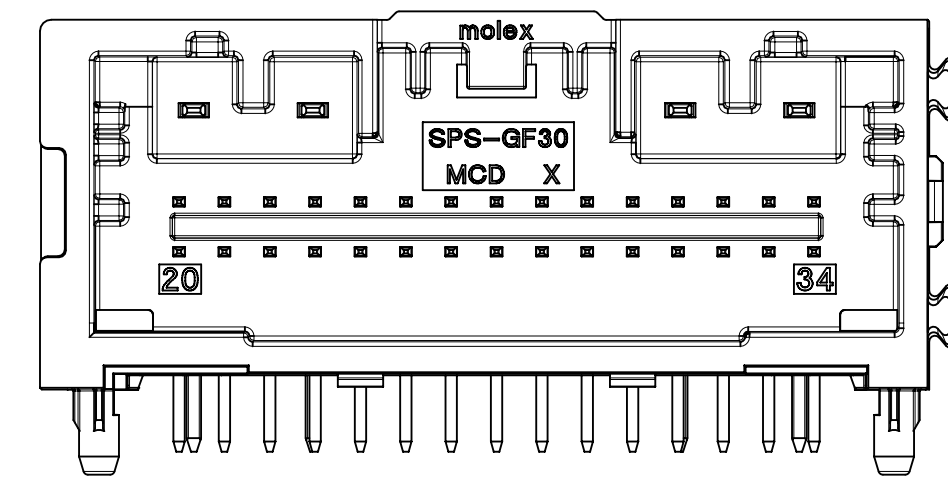
PIN INSERTION DIRECTION VIEW



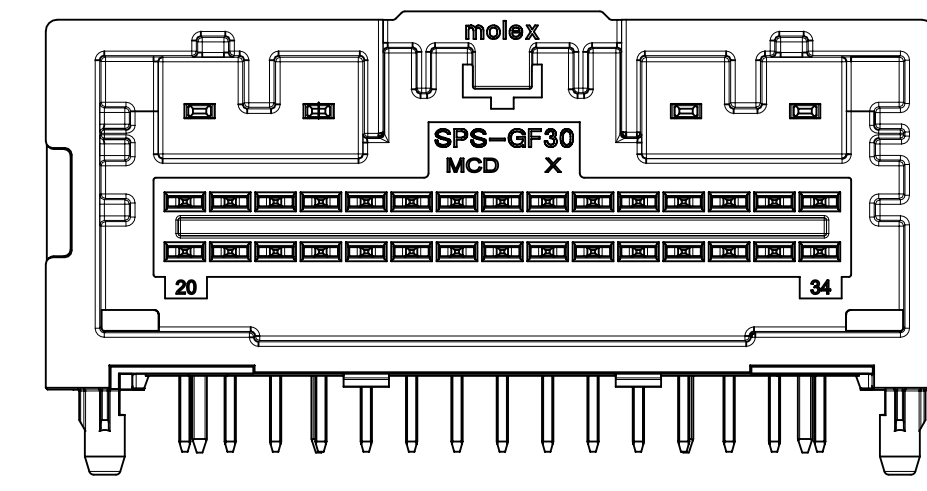
38CKT PIN INSERTION DIRECTION  
PCB SIDE TO MATING SIDE



38CKT PIN INSERTION DIRECTION  
MATING SIDE TO PCB SIDE

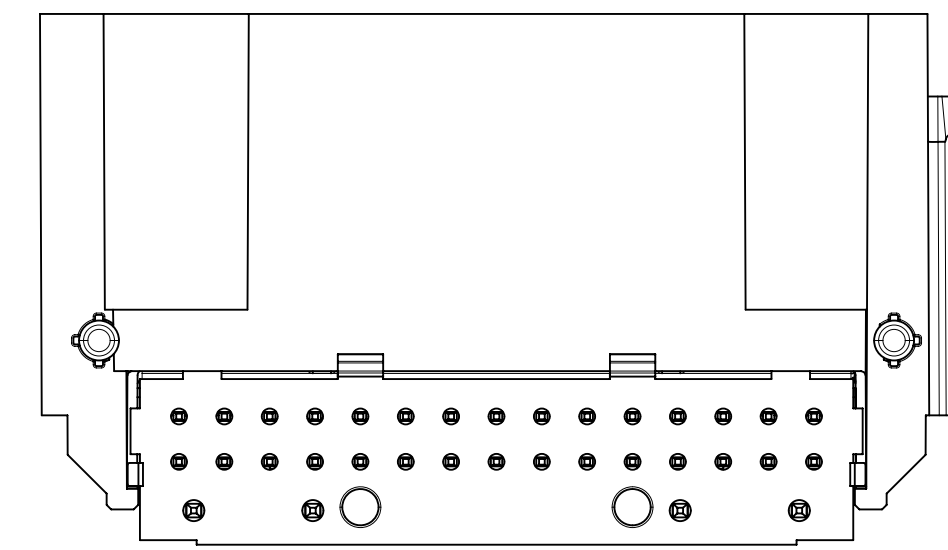


34CKT PIN INSERTION DIRECTION  
PCB SIDE TO MATING SIDE

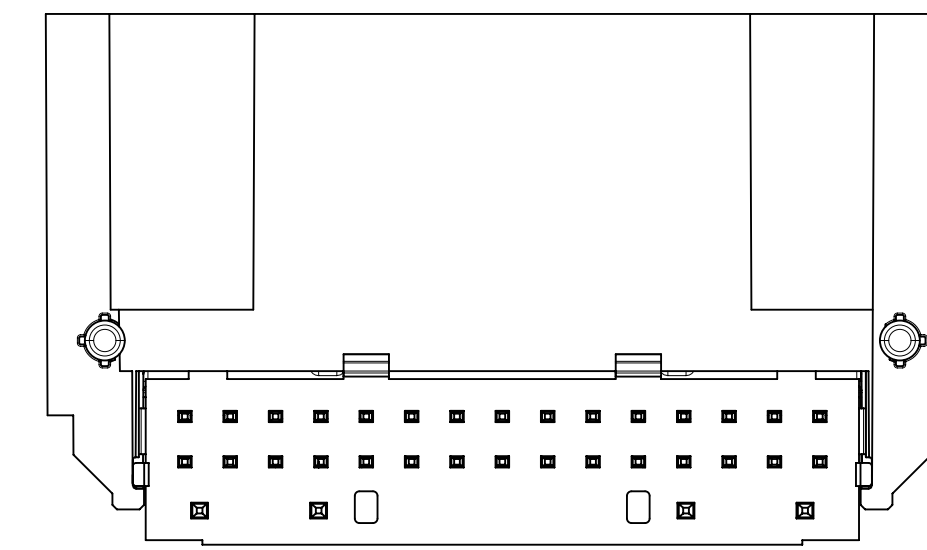


34CKT PIN INSERTION DIRECTION  
MATING SIDE TO PCB SIDE

PAP HOLE SHAPE VIEW



PAP HOLE SHAPE  
ROUND



PAP HOLE SHAPE  
SQUARE

FUNCTIONAL SYMBOLS	THIS DRAWING CONTAINS INFORMATION THAT IS PROPRIETARY TO MOLEX ELECTRONIC TECHNOLOGIES, LLC AND SHOULD NOT BE USED WITHOUT WRITTEN PERMISSION		CURRENT REV DESC: REFER TO REVISION COLUMN	
	DIMENSION UNITS	SCALE		
$F_A = 0$	mm	3:1		
DIVISIONAL SYMBOLS	GENERAL TOLERANCES (UNLESS SPECIFIED)		PHASE: Design Production	
	ANGULAR TOL $\pm 0.5^\circ$		CO NO: CO-00000910	
$F_C = 0$	4 PLACES	$\pm$	DRWN: Shanks Wu	2022-05-09
$F_P = 0$	3 PLACES	$\pm$	CHK'D: Ringo Hu	2022-05-09
	2 PLACES	$\pm$	APPR: Colin Zhang	2022-05-09
	1 PLACE	$\pm$	INITIAL REVISION:	
	0 PLACES	$\pm$	DRWN: Shanks Wu	2022-04-25
			APPR: Colin Zhang	2022-05-05
DRAFT WHERE APPLICABLE MUST REMAIN WITHIN DIMENSIONS		THIRD ANGLE PROJECTION	DRAWING	SERIES
			D-SIZE	34961
		MATERIAL NUMBER		CUSTOMER
		SD-34961-030		GENERAL MARKET
		DOC TYPE	DOC PART	REVISION
		PSD	001	J6
		SHEET NUMBER		
		3 OF 6		