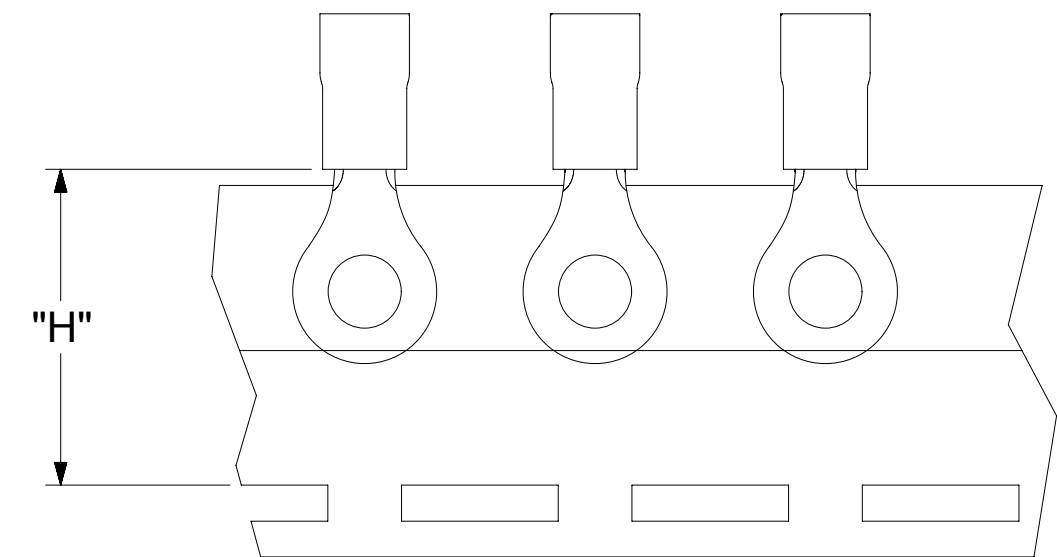
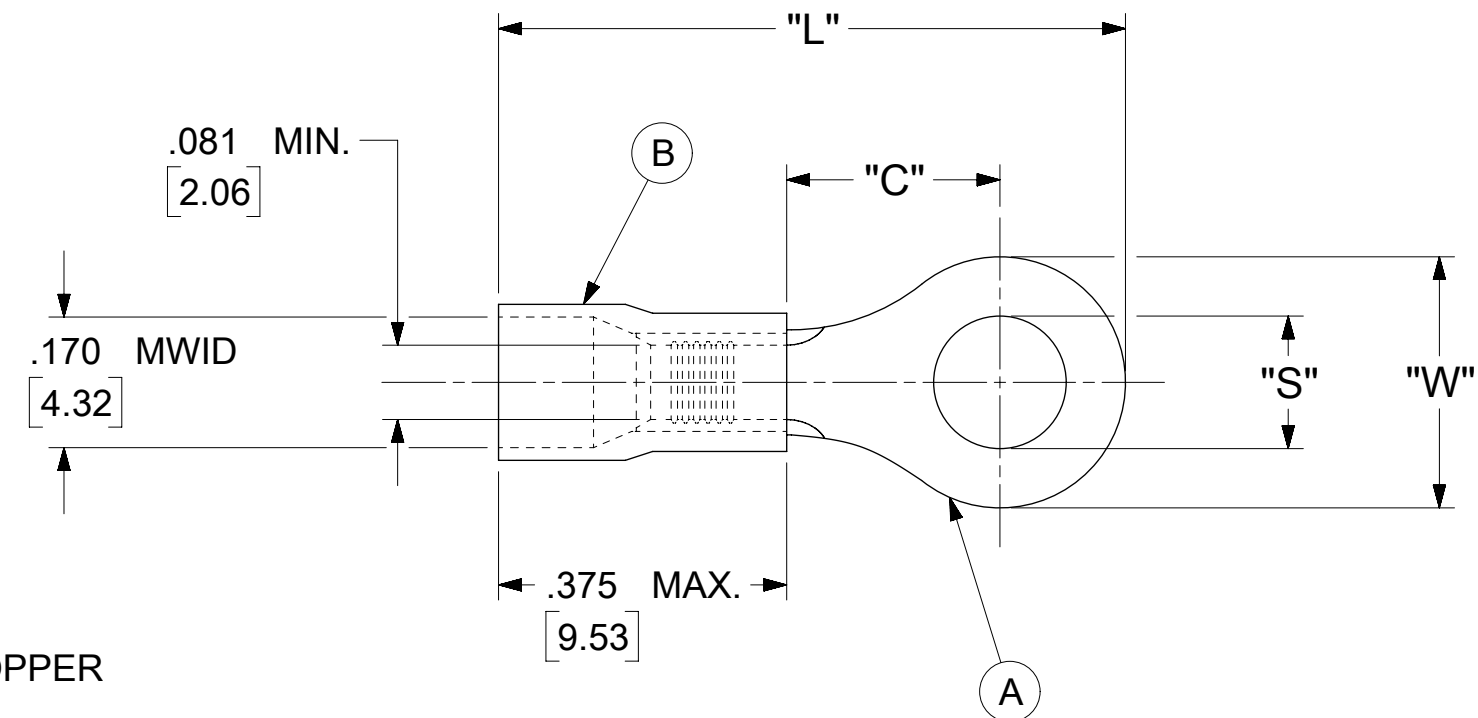


LOOSE PIECE		TAPE MOUNTED		SPECIFICATIONS						
MATERIAL NUMBER	ENGINEERING NUMBER	MATERIAL NUMBER	ENGINEERING NUMBER	STUD SIZE	"S" ±.005 [0.13]	"W" ±.010 [0.25]	"C" MIN.	"L" MAX.	"H"	STOCK ±.001 [0.025] THICKNESS
---	---	---	---	10	.198 [5.03]	.534 [13.56]	.554 [14.07]	1.231 [31.27]	1.167 [29.64]	.031 [0.79]
190720046	BB-418-14	---	---	14	.265 [6.73]					
190720048	BB-418-38	190720049	BB-418-38T	38	.390 [9.91]					
190720051	BB-418-56	190720052	BB-418-56T	56	.328 [8.33]					
---	---	---	---	413	.413 [10.49]					
---	---	---	---	2	.094 [2.39]	.250 [6.35]	.209 [5.31]	.755 [19.18]	.980 [24.89]	.031 [0.79]
190720055	BB-423-04	---	---	4	.119 [3.02]					
190720057	BB-423-06	---	---	6	.146 [3.71]					
190720059	BB-423-08	---	---	8	.173 [4.39]					
190720061	BB-425-10	---	---	10	.198 [5.03]	.467 [11.86]	.388 [9.86]	1.032 [26.21]	.980 [24.89]	.031 [0.79]
---	---	---	---	14	.265 [6.73]					
---	---	---	---	56	.328 [8.33]					
190720067	BB-437-04	---	---	4	.119 [3.02]	.312 [7.92]	.285 [7.24]	.840 [21.33]	.980 [24.89]	.031 [0.79]
190720069	BB-437-06	190720070	BB-437-06T	6	.146 [3.71]					
---	---	---	---	8	.173 [4.39]					
190720073	BB-437-10	190720074	BB-437-10T	10	.198 [5.03]					
---	---	---	---	209	.209 [5.31]	.342 [8.69]	.310 [7.87]	.891 [22.64]	.980 [24.89]	.031 [0.79]
---	---	---	---	4	.119 [3.02]					
190720078	BB-439-06	---	---	6	.146 [3.71]					
---	---	---	---	8	.173 [4.39]					
190720082	BB-439-10	---	---	10	.198 [5.03]					



PARTS ON TAPE

- NOTES:
- MATERIAL:
 - (A). RING TONGUE TERMINAL: COPPER
PLATING: ELECTRO-TIN (.0003 MIN.)
 - (B). TIN-PLATED BRASS FUNNEL FERRULE
 - MWID: MAXIMUM WIRE INSULATION DIAMETER
 - WIRE SIZE: 16 -14 AWG
1.0 -2.5 MM²
 - "UL" LISTING #E32244
"CSA" LISTING #18689
 - ALL DIMENSIONS IN INCHES/[MM].
 - PARTS ARE ROHS COMPLIANT.
 - DIMS. SHOWN ARE FOR REFERENCE ONLY.

SYMBOLS	THIS DRAWING CONTAINS INFORMATION THAT IS PROPRIETARY TO MOLEX ELECTRONIC TECHNOLOGIES, LLC AND SHOULD NOT BE USED WITHOUT WRITTEN PERMISSION			
	DIMENSION UNITS	SCALE		CURRENT REV DESC: MIGRATION TO ECTR/NX
∇ = 0	INCH/MM	NTS		EC NO: 619818 DRWN: ABENJAMINLW 2019/06/20 CHK'D: GROJAS01 2019/06/27 APPR: JMACNEIL 2019/07/10
∇ = 0	GENERAL TOLERANCES (UNLESS SPECIFIED)			
∇ = 0		MM	INCH	
∇ = 0	4 PLACES	±	±	INITIAL REVISION: DRWN: JJ 1984/11/21 APPR: JMACNEIL 2019/07/10
∇ = 0	3 PLACES	±	± 0.005	
∇ = 0	2 PLACES	± 0.13	± 0.01	SERIES 19072
∇ = 0	1 PLACE	± 0.25	±	
∇ = 0	0 PLACES	±	±	THIRD ANGLE PROJECTION DRAWING C-SIZE
∇ = 0	ANGULAR TOL	± °		
∇ = 0	DRAFT WHERE APPLICABLE MUST REMAIN WITHIN DIMENSIONS			SHEET NUMBER 1 OF 1
∇ = 0				

molex

RING TONGUE TERMINAL
VIBRAKRIMP 400-SERIES

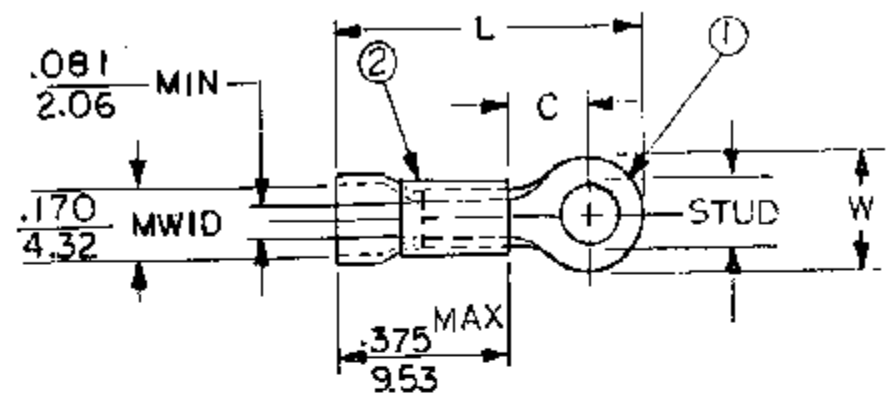
PRODUCT CUSTOMER DRAWING

DOCUMENT NUMBER	DOC TYPE	DOC PART	REVISION
190720046	PSD	000	A
MATERIAL NUMBER	CUSTOMER	SHEET NUMBER	
SEE TABLE	GENERAL MARKET	1 OF 1	

NOTES:

- ① MAT'L: COPPER (STOCK TKN. $\frac{031}{79}$)
PLATING: ELECTRO TIN (.0003 MIN)
- ② TIN-PLATED BRASS FUNNEL FERRULE

REF. (A)



STUD SIZES: ($\pm .005$)

02	=	.094	209	=	209
04	=	.119	413	=	413
06	=	.146			
08	=	.173			
10	=	.198			
14	=	.265			
56	=	.328			
38	=	.390			

"UL" LISTING #E32244
"CSA" LISTING #18689 WIRE SIZE: 16-14 AWG
1.0-2.5 MM²

ALL DIMENSIONS = $\frac{\text{INCHES}}{\text{MM}}$ (MWID) DENOTES MAXIMUM WIRE INSULATION DIAMETER

PART NUMBER	"W" $\pm .010$	"C" MIN.	"L" MAX.	AVAILABLE STUD SIZES
BB-418-	$\frac{.534}{13.56}$	$\frac{.554}{14.07}$	$\frac{1.231}{31.27}$	10, 14, 56, 38, 413
BB-423-	$\frac{.250}{6.35}$	$\frac{.209}{5.31}$	$\frac{.755}{19.18}$	02, 04, 06, 08
BB-425-	$\frac{.467}{11.86}$	$\frac{.388}{9.86}$	$\frac{1.032}{26.21}$	10, 14, 56
BB-437-	$\frac{.312}{7.92}$	$\frac{.285}{7.24}$	$\frac{.840}{21.33}$	04, 06, 08, 10, 209
BB-439-	$\frac{.342}{8.69}$	$\frac{.310}{7.87}$	$\frac{.891}{22.64}$	04, 06, 08, 10

DIMENSIONAL TOLERANCES UNLESS OTHERWISE SPECIFIED			REFERENCE	SCALE: NTS	DATE	TITLE: RING TONGUE TERMINAL VIBRAKRIMP 400-SERIES	
FRAC.	DEC.	ANG.		DRWN. BY: JJ	11-21-84		
\pm	\pm	\pm		CHKD. BY: 67	12-4-84		
				APPRD. BY:			
			ETC 30245 R 11/7 RCM			DWG. NO. A	CUSTOMER DWG