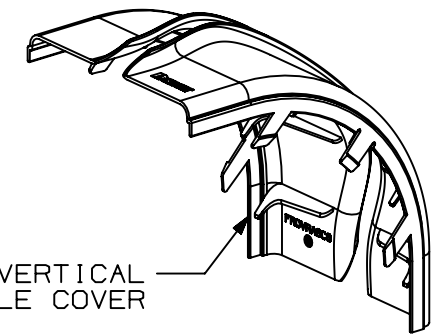
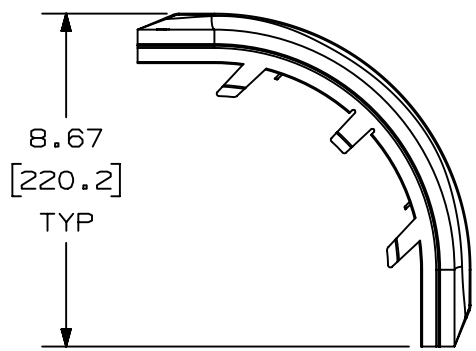
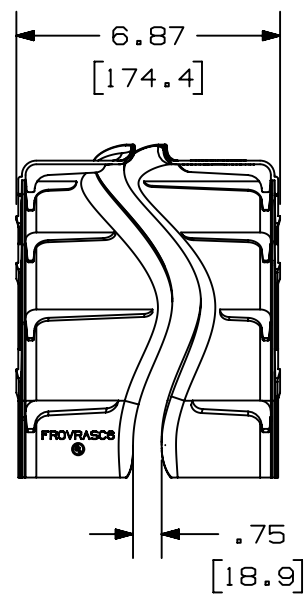


THIS COPY IS PROVIDED ON A RESTRICTED BASIS AND IS NOT TO BE USED IN ANY WAY DETRIMENTAL TO THE INTERESTS OF PANDUIT CORP.

NOTES:

1. SEE CURRENT CATALOG FOR ADDITIONAL PART SUFFIXES TO INDICATE COLOR AND/OR PACKAGE QUANTITY.
2. THE FIBERRUNNER 6x4 OUTSIDE VERTICAL RIGHT ANGLE SPLIT COVER REQUIRES NO TOOL FOR INSTALLATION AND/OR REMOVAL. THE SPLIT COVER CREATES A 3/4" (19.1) RADIUSED OPENING TO ALLOW FOR NEW CABLES TO BE ADDED WITHOUT THE NEED FOR REMOVING THE COVERS.
3. DIMENSIONS IN PARENTHESES ARE IN METRIC.
4. PARTS SUPPLIED:
(1) - SET OF OUTSIDE VERTICAL RIGHT ANGLE COVER

PANDUIT PART NUMBER	WEIGHT	MATERIAL
FROVRASC6**	0.43 LB/EACH 193g/EACH	ABS
FROVRASC6L**	0.43 LB/EACH 193g/EACH	PC/ABS



OUTSIDE VERTICAL RIGHT ANGLE COVER

B

B

A

A

GLOBAL_ASIZE

REV	DATE	BY	CHK	APR	DESCRIPTION	ECN
02B	8/26/20	MEX-JAGC	DWR	DWR	ADDED PART NUMBER UPDATED DRAWING BORDER & TITLE BLOCK	V09002DZ/11

TITLE FIBERRUNNER 6x4 OUTSIDE VERTICAL RIGHT ANGLE SPLIT COVER (FROVRASC6**, FROVRASC6L**)					
CUSTOMER DRAWING					
ITEM REVISION NAME D37185EV/02			PANDUIT		
DATASET FILE NAME D37185EV_DC/02B					
DRAWING NUMBER: 37185-68			MATERIAL: SEE PART NUMBER TABLE ABOVE		
DRAWN BY REWE		DATE 5/4/00	CHK HIW	SCALE NONE	THIRD ANGLE PROJECTION
SHT 1 OF 1		SIZE A			