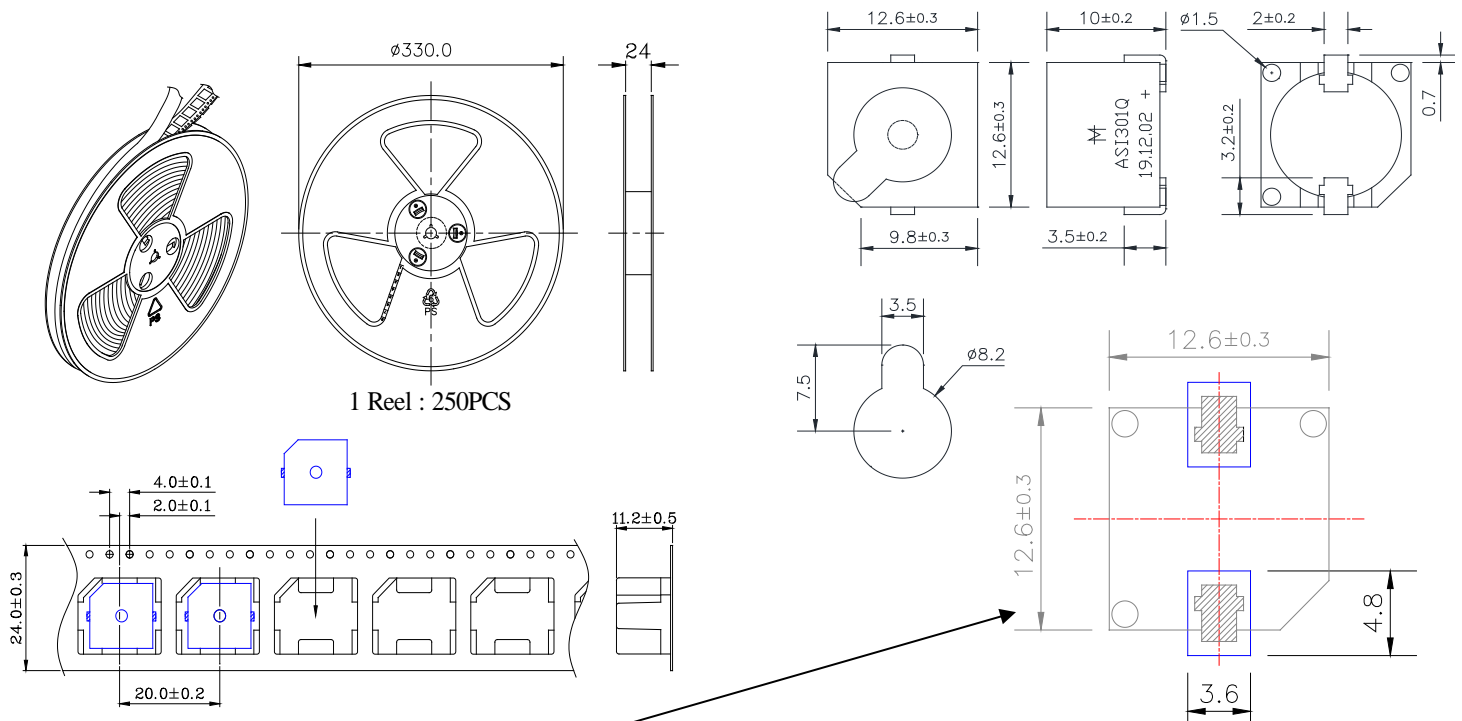


**May not be suitable for all Medical and Aerospace applications.
Contact Mallory Sonalert to discuss your application.**

Oscillation Frequency (Hz)	2400 ± 300
Operating Voltage (Vdc)	4.0 ~ 7.0
Rated Voltage (Vdc)	5.0
Current Consumption Max. (mA)	30 at Rated Voltage
Sound Pressure Level Min. (dB)	90 at 10cm at Rated Voltage
Tone/Pulse Rate	Constant
Operating Temperature (°C)	-20 ~ +70
Storage Temperature (°C)	-30 ~ +80
Housing	PPS plastic resin (Color: Gray)
Type of Connection	SMD – GOLD plated terminals as of Code Date 20100824
Weight (Grams)	3.0
Condition by reflow soldering (°C)	250 ±5 / within 5 sec
Condition by hand soldering (°C)	350 ±20 / within 5 sec
Options	For other options contact factory

Dimensions: (units: mm)**ROHS Compliant****Recommended PCB Layout:****Packaging:**

Parts are supplied on reels (250 pcs per tape and reel).

Parts come with wash label and are suitable for aqueous wash.