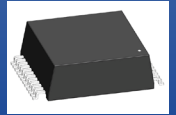


POE 10/100/1000 BASE-T Single Port SMD LAN Transformer Module



ALAN110001



18.3 x 16.5 x 6.4 mm
19.5 x 13.9 x 5.7 mm
RoHS/RoHS II Compliant
MSL = 1

Features

- Meets IEEE 802.3af standards
- Supports speed up to 1 Gbps
- Power Over Ethernet up to 30 Watts
- Current capability up to 350 mA per pair
- Operating temperature range up to -40°C to +125°C
- Compatible with major IC's for Ethernet applications
- High performance magnetics for EMI suppression and common mode noise rejection
- 1CT:1CT TX and RX Transformers

Applications

- Fast and gigabit Ethernet
- Hubs, servers, switches, routers, access points
- IP cameras, surveillance, and phone
- Industrial computers and robotics
- Networking and communications
- Broadcast video
- Set top box

Part Identification

ALAN110001 - [] [] [] []

Package Size
3: 24-Pin Option 1*
4: 24-Pin Option 2*

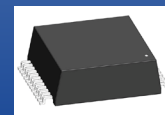
Schematic
J11
J41
J61

Operating Temp.
E: 0 °C to +70 °C
D: -40 °C to +85 °C
J: -40 °C to +105 °C
K: -40 °C to +125 °C

Packaging
T: Tape and Reel*

*Package size "3: 24-Pin Option 1": T= 400 pcs/reel
*Package size "4: 24-Pin Option 2": T= 550 pcs/reel

POE 10/100/1000 BASE-T Single Port SMD LAN Transformer Module



ALAN110001



18.3 x 16.5 x 6.4 mm
19.5 x 13.9 x 5.7 mm
RoHS/RoHS II Compliant
MSL = 1

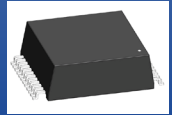
Electrical Specifications at 25°C

Part Number	Insertion Loss (dB Max)	Return Loss (dB Min)					Crosstalk (dB Min)			CMRR (dB Min)			DCMR (dB Min)			
	1-100 MHz	1-30 MHz	40 MHz	50 MHz	60-80 MHz	100 MHz	100 kHz	1 MHz	50 MHz	100 MHz	30 MHz	60 MHz	100 MHz	30 MHz	60 MHz	100 MHz
ALAN110001-3J11	1.0	18	16	14	12	10	50	50	40	35	45	37	30	45	37	30
ALAN110001-3J41	1.0	18	16	14	12	10	50	50	40	35	45	37	30	45	37	30
ALAN110001-3J61	1.0	18	16	14	12	10	50	50	40	35	45	37	30	45	37	30
ALAN110001-4J11	1.0	18	16	14	12	10	50	50	40	35	45	37	30	45	37	30
ALAN110001-4J41	1.0	18	16	14	12	10	50	50	40	35	45	37	30	45	37	30
ALAN110001-4J61	1.0	18	16	14	12	10	50	50	40	35	45	37	30	45	37	30

Part Number	Inductance (uH Min)	Leakage Inductance (uH Max)	Interwinding Capacitance (pF Max)	DC Resistance (Ω Max)		Hi Pot (Vrms)	Weight (g)
				Primary	Secondary		
Test Condition	@100kHz, 0.1V, 8mA DC Bias	@100kHz, 0.1V TD to MX	@100kHz TD to MX			6 sec.	Per Piece
ALAN110001-3J11	350	0.5	35	1.0	1.2	1500	2.1
ALAN110001-3J41	350	0.5	35	1.0	1.0	1500	2.1
ALAN110001-3J61	350	0.5	35	1.2	1.0	1500	2.1
ALAN110001-4J11	350	0.5	35	1.0	1.2	1500	1.75
ALAN110001-4J41	350	0.5	35	1.0	1.0	1500	1.75
ALAN110001-4J61	350	0.5	35	1.2	1.0	1500	1.75

Standard	Current (mA Max)	Voltage (V)	Power Delivered per Port (W Max)
IEEE 802.3af: Type-1 / POE	350	@57 V Continuous	30

POE 10/100/1000 BASE-T Single Port SMD LAN Transformer Module



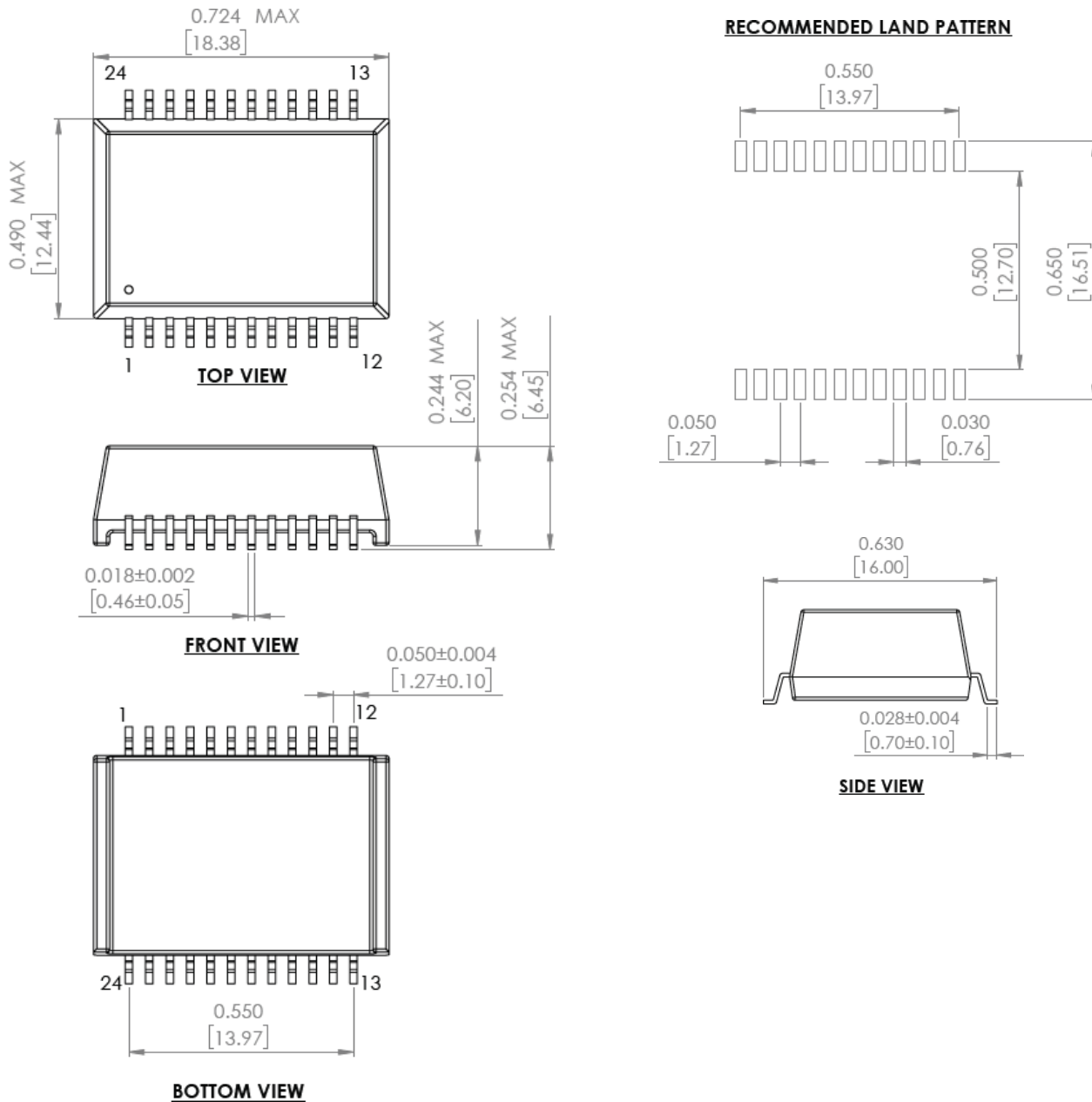
ALAN110001



18.3 x 16.5 x 6.4 mm
19.5 x 13.9 x 5.7 mm
RoHS/RoHS II Compliant
MSL = 1

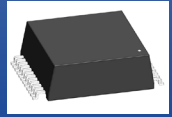
Mechanical Dimensions

3: 24-pin Option 1



Unless otherwise specified, all tolerances are ± 0.010 [0.25]
Dimensions: inch [mm]

POE 10/100/1000 BASE-T Single Port SMD LAN Transformer Module



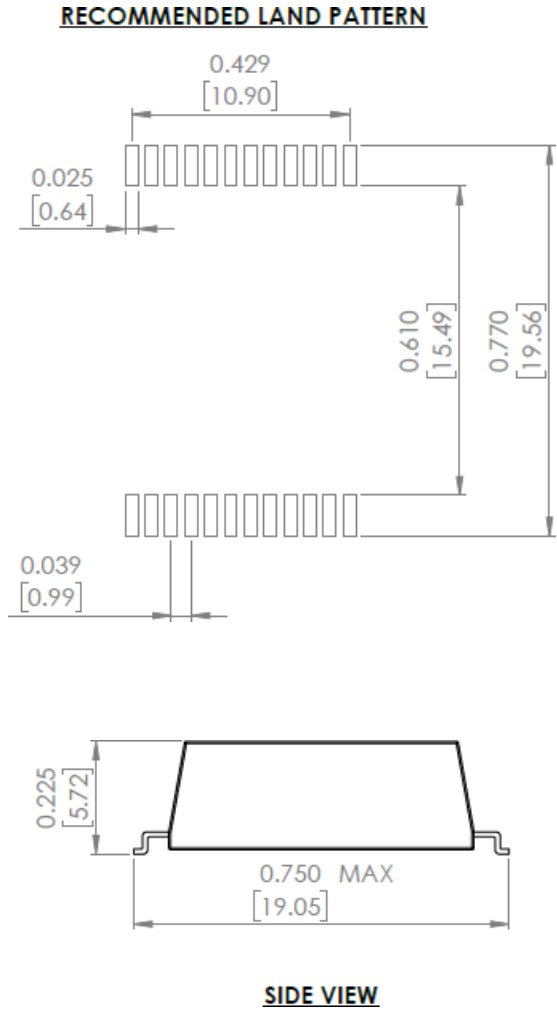
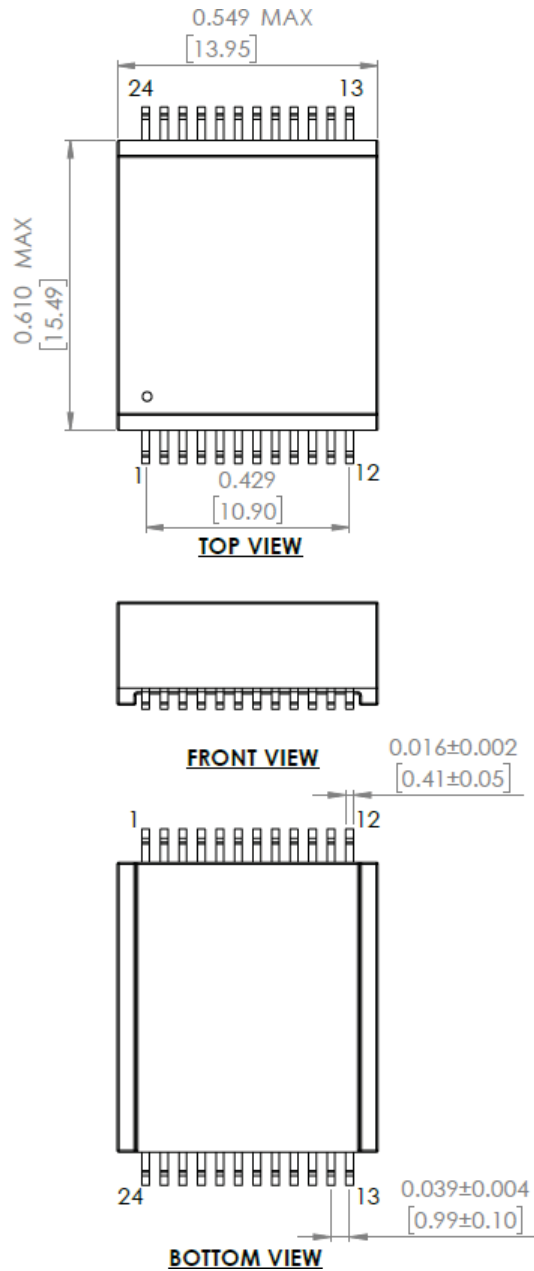
ALAN110001



18.3 x 16.5 x 6.4 mm
 19.5 x 13.9 x 5.7 mm
 RoHS/RoHS II Compliant
 MSL = 1

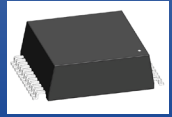
Mechanical Dimensions

4: 24-pin Option 2



Unless otherwise specified, all tolerances are ± 0.010 [0.25]
 Dimensions: inch [mm]

POE 10/100/1000 BASE-T Single Port SMD LAN Transformer Module



ALAN110001

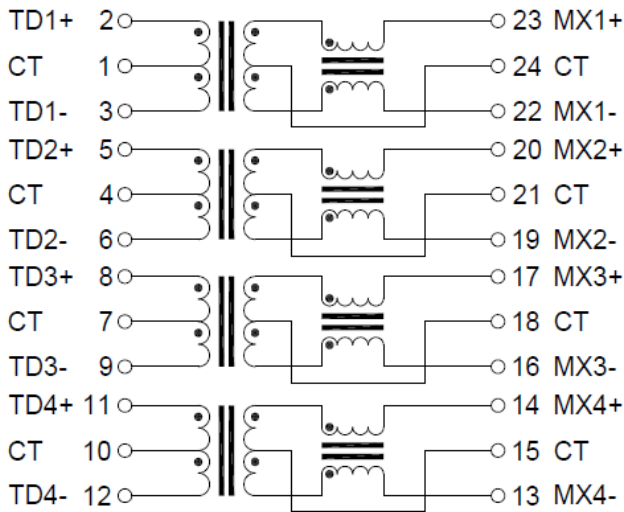


18.3 x 16.5 x 6.4 mm
 19.5 x 13.9 x 5.7 mm
 RoHS/RoHS II Compliant
 MSL = 1

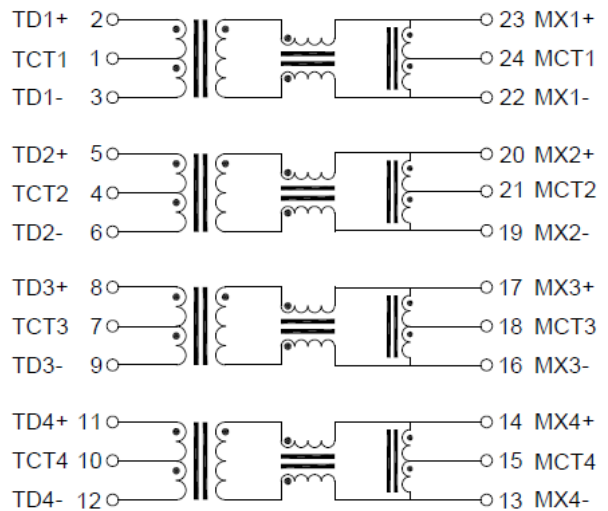
Schematics

24-Pin

J11



J41



Contact Abracon for additional options.

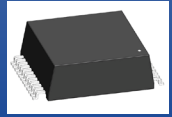


5101 Hidden Creek Ln Spicewood TX 78669
 Phone: 512-371-6159 | Fax: 512-351-8858
 For terms and conditions of sales, please visit:
www.abracon.com

REVISED: 10-8-21

ABRACON IS
 ISO9001-2015
 CERTIFIED

POE 10/100/1000 BASE-T Single Port SMD LAN Transformer Module



ALAN110001

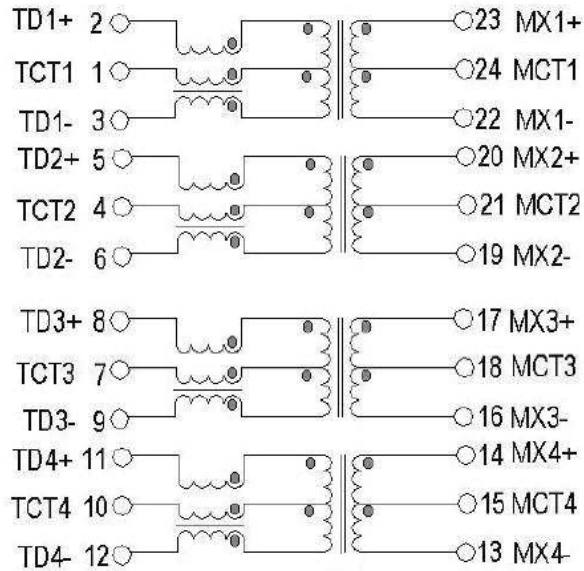


18.3 x 16.5 x 6.4 mm
19.5 x 13.9 x 5.7 mm
RoHS/RoHS II Compliant
MSL = 1

Schematics

24-Pin

J61



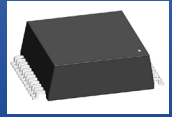
Contact Abracon for additional options.



5101 Hidden Creek Ln Spicewood TX 78669
Phone: 512-371-6159 | Fax: 512-351-8858
For terms and conditions of sales, please visit:
www.abracon.com

REVISED: 10-8-21

ABRACON IS
ISO9001-2015
CERTIFIED

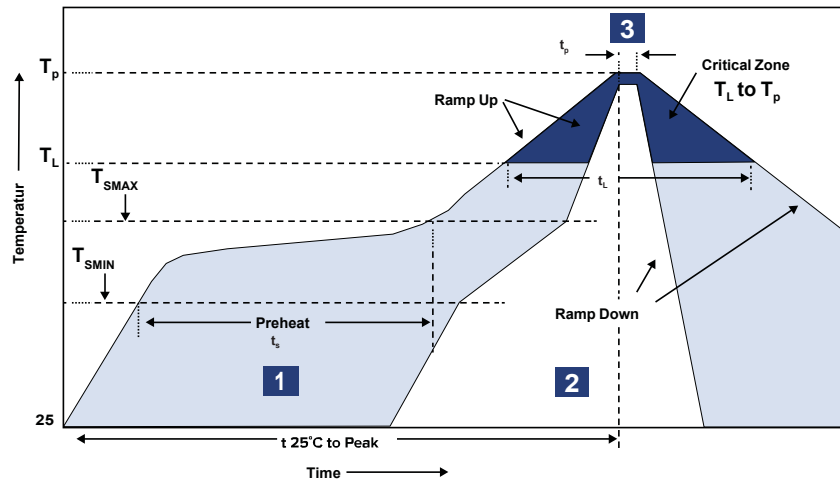


ALAN110001



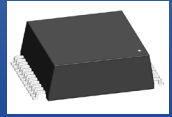
18.3 x 16.5 x 6.4 mm
 19.5 x 13.9 x 5.7 mm
 RoHS/RoHS II Compliant
 MSL = 1

Reflow Profile



Zone	Description	Temperature	Time
1	Preheat / Soak	T_s 150 °C ~ 200 °C	t_s 60 ~ 120 sec.
2	Reflow	T_L 217 °C	t_L 60 ~ 150 sec.
3	Peak heat	T_p 245 ± 5 °C	t_p 20 ~ 40 sec.

POE 10/100/1000 BASE-T Single Port SMD LAN Transformer Module



ALAN110001

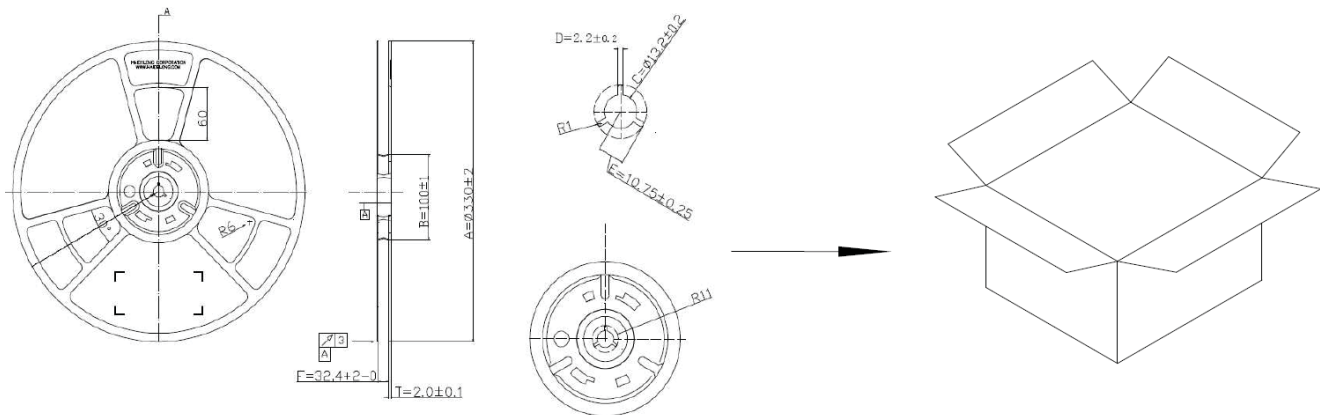
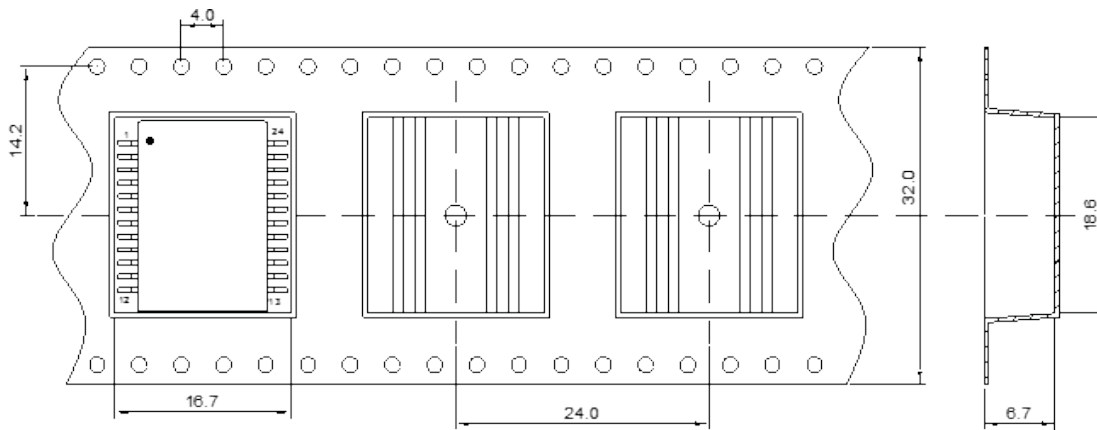


18.3 x 16.5 x 6.4 mm
19.5 x 13.9 x 5.7 mm
RoHS/RoHS II Compliant
MSL = 1

Packaging

Package size option 3:

Tape and Reel: 400 pcs/reel
Pieces per Carton: 3,200
T&R per Carton: 8
Weight per Carton: 11.5 kg
Weight per Piece: 2.1 g
Dimension of the carton: 365 x 365 x 350 mm



Dimensions: mm

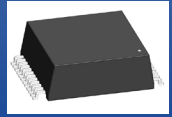


5101 Hidden Creek Ln Spicewood TX 78669
Phone: 512-371-6159 | Fax: 512-351-8858
For terms and conditions of sales, please visit:
www.abracon.com

REVISED: 10-8-21

ABRACON IS
ISO9001-2015
CERTIFIED

POE 10/100/1000 BASE-T Single Port SMD LAN Transformer Module



ALAN110001

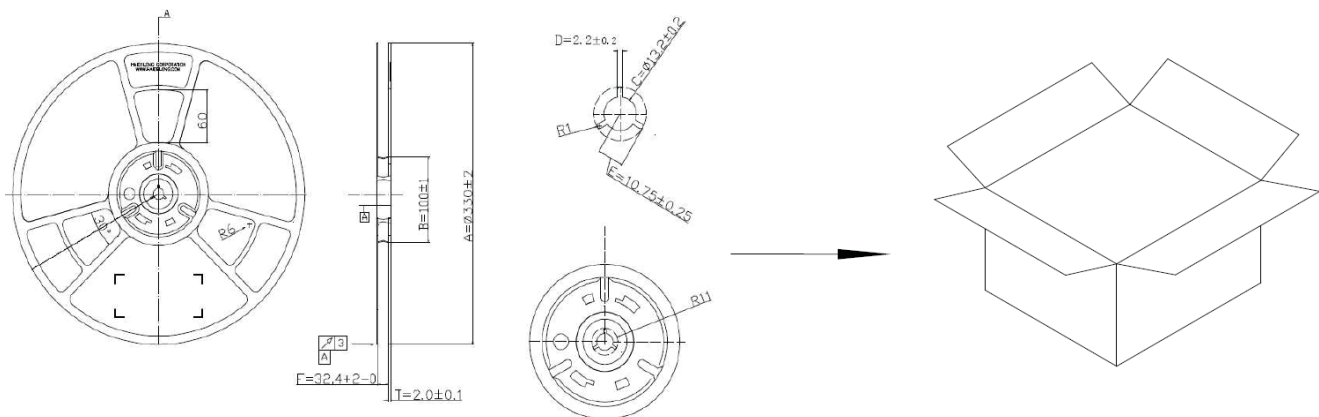
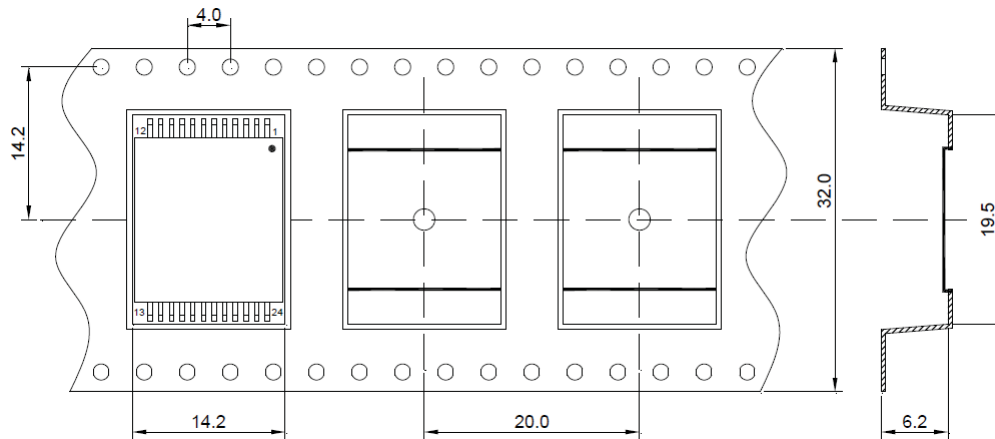


18.3 x 16.5 x 6.4 mm
19.5 x 13.9 x 5.7 mm
RoHS/RoHS II Compliant
MSL = 1

Packaging

Package size option 4:

Tape and Reel: 550 pcs
Pieces per Carton: 4,400 pcs/box
T&R per Carton: 8
Weight per Carton: 12.7 kg
Weight per Piece: 1.75 g
Dimension of the carton : 365 x 365 x 350 mm



Dimensions: mm

ATTENTION: Abracon LLC's products are COTS - Commercial-Off-The-Shelf products; suitable for Commercial, Industrial and, where designated, Automotive Applications. Abracon's products are not specifically designed for Military, Aviation, Aerospace, Life-dependent Medical applications or any application requiring high reliability where component failure could result in loss of life and/or property. For applications requiring high reliability and/or presenting an extreme operating environment, written consent and authorization from Abracon LLC is required. Please contact Abracon LLC for more information.



5101 Hidden Creek Ln Spicewood TX 78669
Phone: 512-371-6159 | Fax: 512-351-8858
For terms and conditions of sales, please visit:
www.abracon.com

REVISED: 10-8-21

ABRACON IS
ISO9001-2015
CERTIFIED