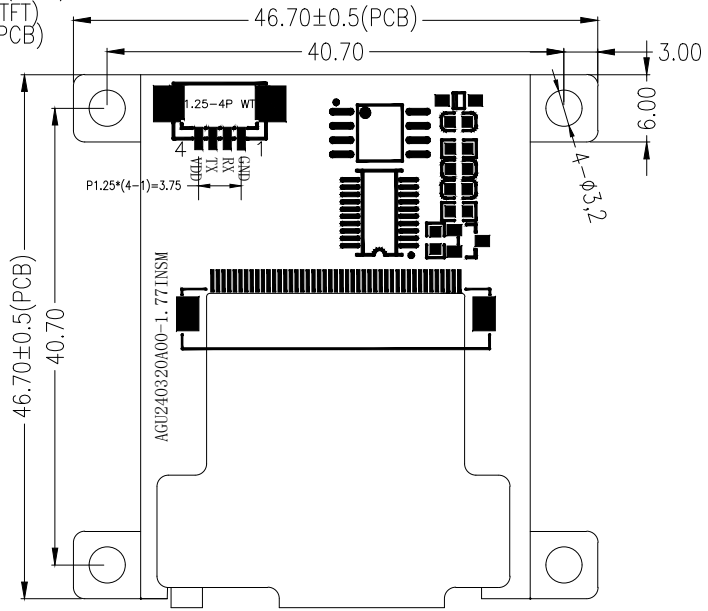
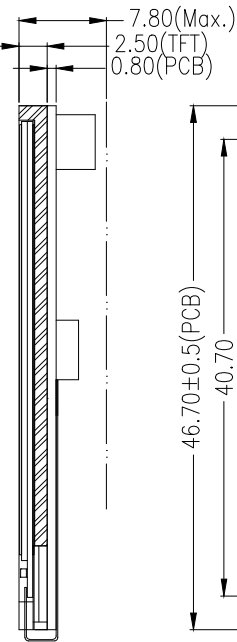
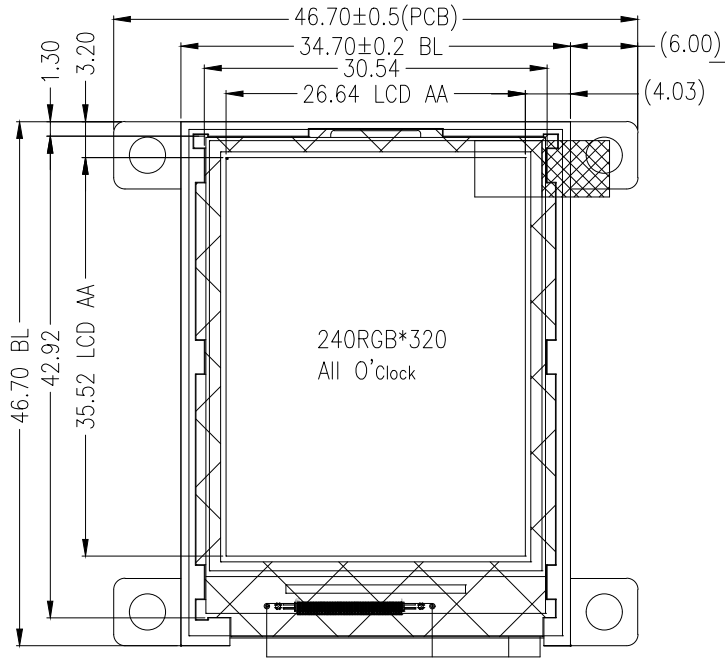
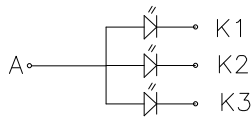


THIS DRAWING IS PROPERTY OF ORIENT DISPLAY. ALL RIGHTS RESERVED.	ITEM	PARAMETERS	ITEM	PARAMETERS	ITEM	PARAMETERS	ITEM	PARAMETERS
	DISPLAY TYPE	IPS/NORMAL BLACK	VIEWING DIRECTION	FREE	LCD OPERATING VOLTAGE	3.3V	IC	ST17789V+16Mb flash
	RESOLUTION (H*V)	1.77" 240*320 PIXELS	OPERATION TEMPERATURE	-20°C TO +70°C	LOGIC VOLTAGE	3.3V	BACKLIGHT	3-CHIP WHITE LED
	POLARIZER TYPE	TRANSMISSIVE	STORAGE TEMPERATURE	-30°C TO +80°C	GREYSCALE SUPPORT	/	CONNECTOR	ZIF



PIN DEFINE

PIN NO.	SYMBOL
1	GND
2	RX
3	TX
4	VDD



LED CIRCUIT DIAGRAM



TITLE	LCM	PART NO.	AGU240320A00-1.77INSM		
REV.	V1	CUSTOMER NO.	AGU240320A00-1.77INSM		
SCALE	FIT	UNIT	mm	3rd ANGLE	SHEET 1 of 1
ROHS/REACH COMPLIANT	YES	CUSTOMER'S APPROVAL			
UNMARKED TOLERANCE	±0.3				

V1	PCB增加PCB型号	2022-3-9
V0	FIRST ISSUE	2021-12-24
REV.	DESCRIPTION	DATE

1

2

3

4

5

6