



Since 1959

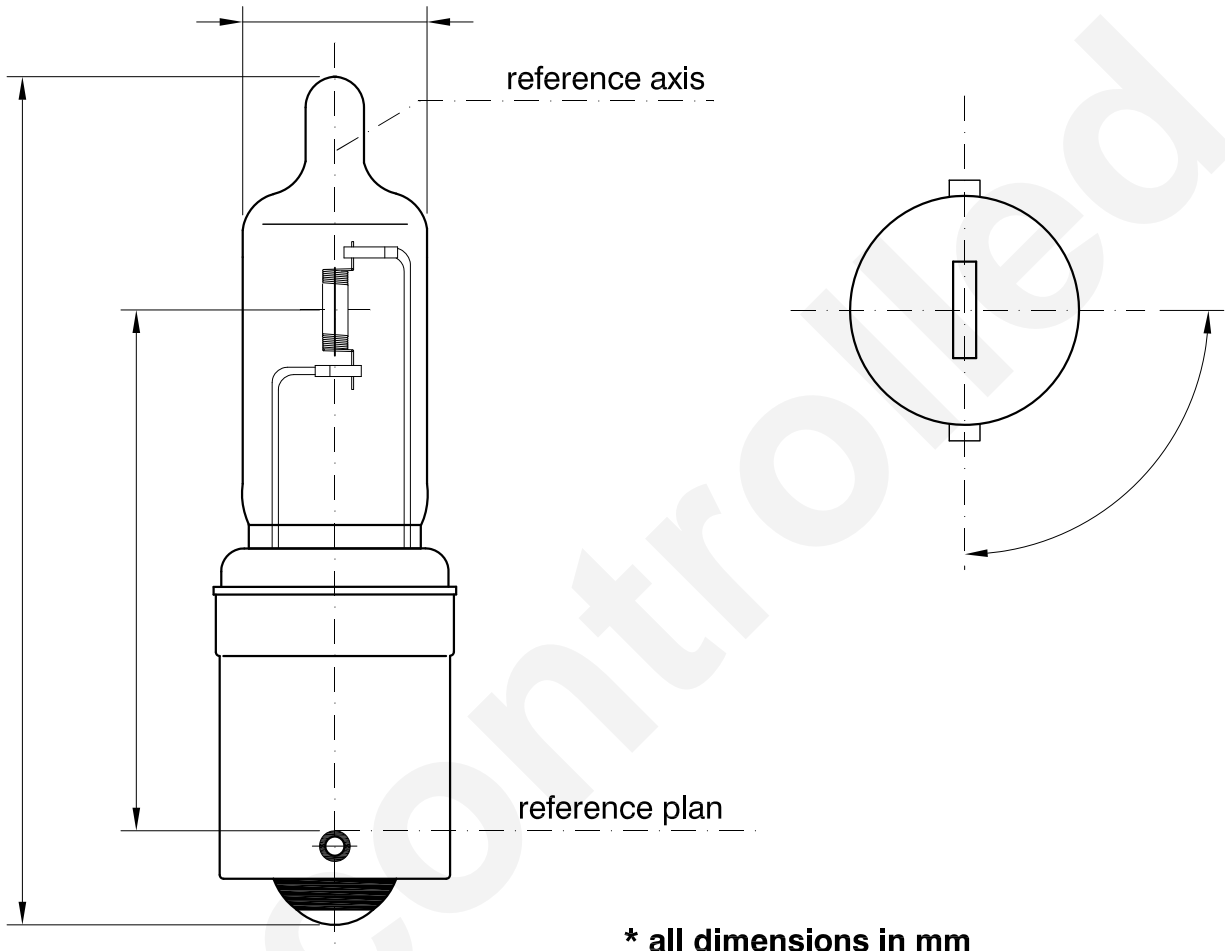
Product Information Sheet

795X 12V 50W

795X

2009. 10. 22 NEW

2009. 05. 13 OLD



* all dimensions in mm

Halogen bulb	
795X 12V 50W	
Cap: ¹⁾	BA15s
Type:	795X
ECE R37	None
FMVSS108	None
Bulb mat.: Hardglass	
Made in korea / INCHEON	

1) according to IEC 61-1 sheet 7004-11D-1

Technical data	
Test voltage	12.8V
Power	56W max
Luminous flux	1350lm ±20%
Lumen maintenance	90 % min
	at 14.0V -Average 200hr
Maximum operating temperature:	bulb 650°C max pinch 400°C max
Operating position	Vertical