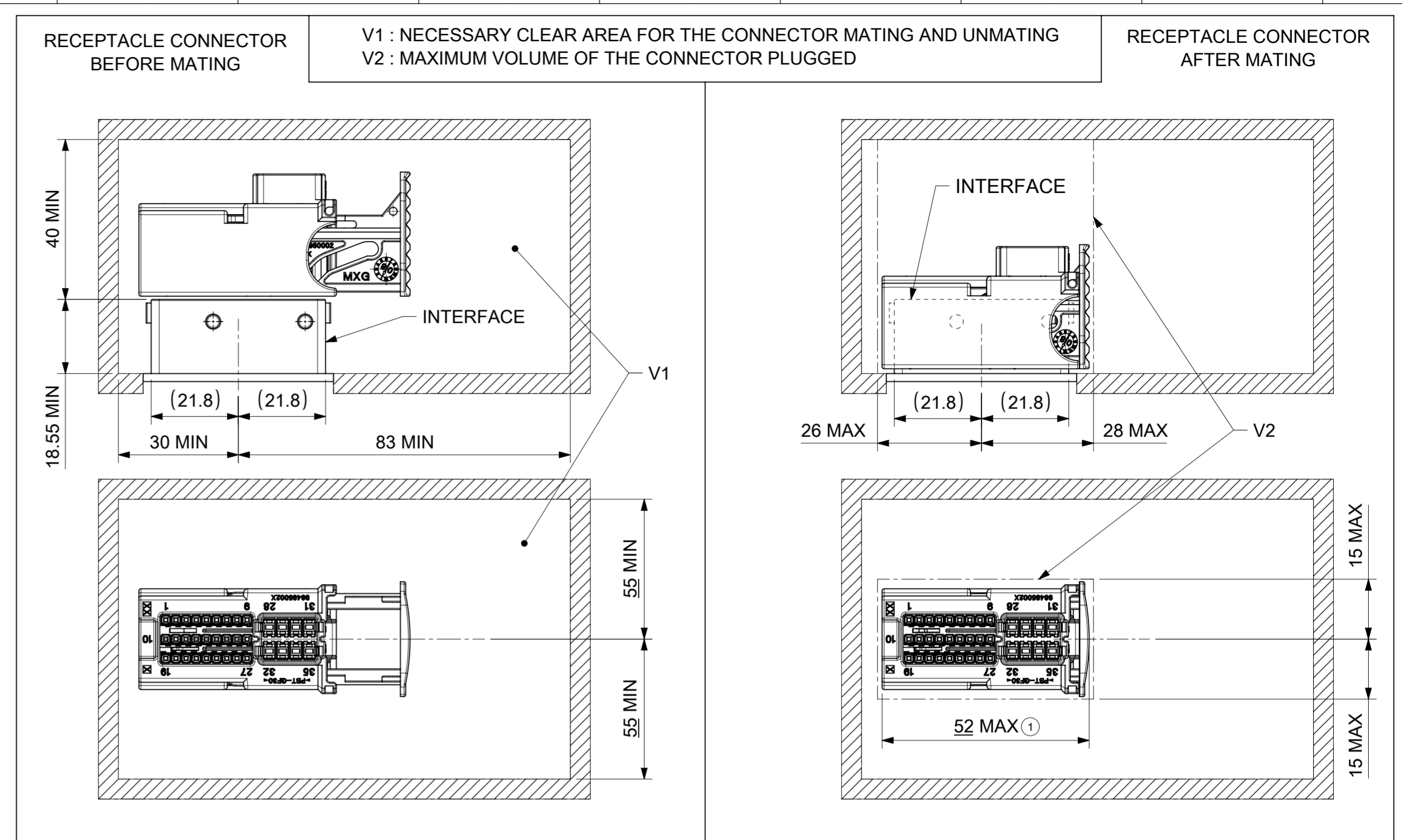
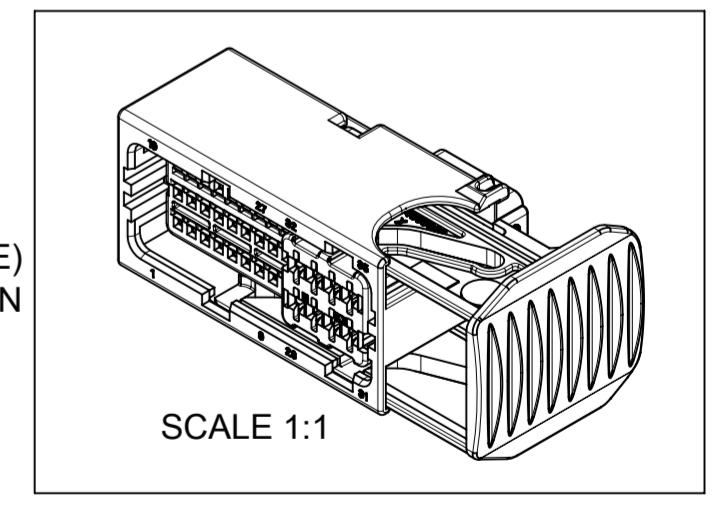


CODING TABLE



NOTES:

- 1 - PRODUCT SPECIFICATION: 984950001-PS PS 000
- 2 - APPLICATION SPECIFICATION: 984950001-AS PS 000
- 3 - PACKAGING SPECIFICATION: PK-31301-336 PDD 001
- 4 - MATES WITH: 0984981001 (BLACK), 0984981006 (BLUE), 0984981008 (GREY), 0984981009 (BROWN), 0984951000 (WHITE)
- 5 - FOR USE WITH TERMINALS: SEE APPLICATION SPECIFICATION
- 6 - PRODUCT WEIGHT (CALCULATED): 22.969g



| | | | | | | | | | | | |
|--------------------|---|-----------------------------------|--------------------------------|--------|------------------|----------------|--------------|----------|----------|--------------------------|--|
| FUNCTIONAL SYMBOLS | THIS DRAWING CONTAINS INFORMATION THAT IS PROPRIETARY TO MOLEX ELECTRONIC TECHNOLOGIES, LLC AND SHOULD NOT BE USED WITHOUT WRITTEN PERMISSION | | | | | | | | | | |
| | DIMENSION UNITS | SCALE | CURRENT REV DESC: ADDED CODING | | | | | | | | |
| $F_A = 0$ | mm | 2:1 | | | | | | | | | |
| $F_C = 0$ | GENERAL TOLERANCES (UNLESS SPECIFIED) | | | | | | | | | PRODUCT CUSTOMER DRAWING | |
| $F_P = 15$ | ANGULAR TOL $\pm 2.0^\circ$ | | | | | | | | | | |
| DIVISIONAL SYMBOLS | 4 PLACES \pm | EC NO: 686818 | | | | | 2021/11/09 | DOC TYPE | DOC PART | REVISION | |
| | 3 PLACES \pm | DRWN: SCV | | | | | 2021/12/03 | PSD | 000 | A1 | |
| | 2 PLACES ± 0.1 | CHK'D: OPLESSIS | | | | | 2021/03/02 | | | | |
| | 1 PLACE ± 0.2 | APPR: FPAROLARI | | | | | 2021/03/26 | | | | |
| | 0 PLACES \pm | INITIAL REVISION: DRWN: FPAROLARI | | | | | | | | | |
| | | APPR: BDESSIRIER | | | | | | | | | |
| | DRAFT WHERE APPLICABLE MUST REMAIN WITHIN DIMENSIONS | FIRST ANGLE PROJECTION | DRAWING | SERIES | MATERIAL NUMBER | CUSTOMER | SHEET NUMBER | | | | |
| | | | A2-SIZE | 98495 | SEE CODING TABLE | GENERAL MARKET | 1 OF 2 | | | | |

