

CPA TO BE INSTALLED IN PRE-LOCK POSITION AS SHOWN IN BOTH VIEWS. SEE NOTE #5

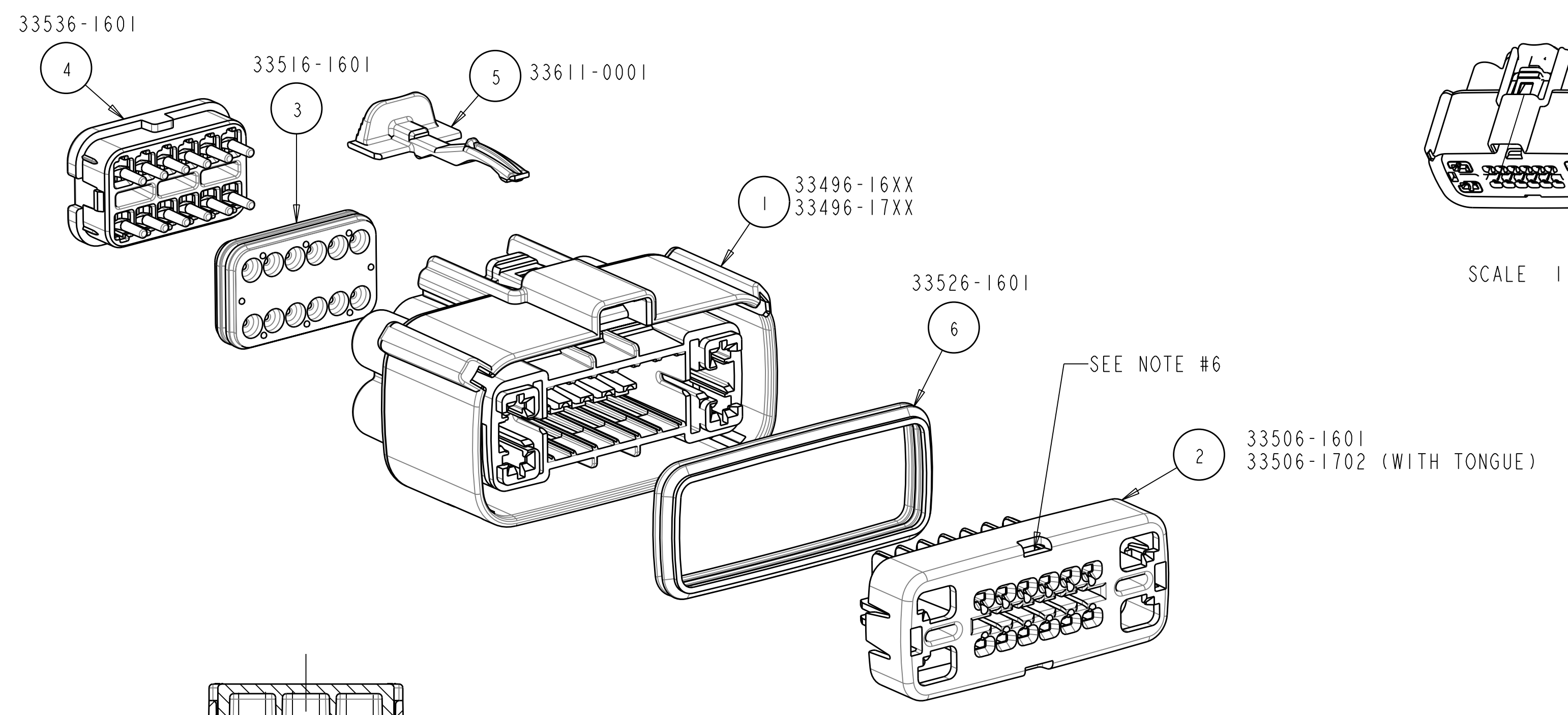
CPA TO BE INSTALLED IN PRE-LOCK POSITION AS SHOWN IN BOTH VIEWS. SEE NOTE #5

SECTION B-B (RECEPTACLE INSERT WITH SHORTING BAR SHOWN IN PRE-LOCK) SEE NOTE #2

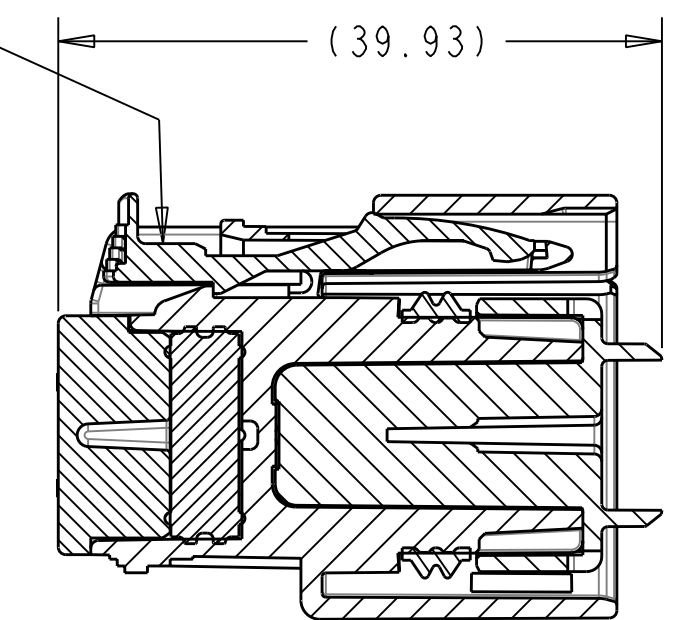
SECTION B-B (RECEPTACLE INSERT WITH SHORTING BAR SHOWN IN FULL-LOCK) SEE NOTE #2

SECTION B-B (RECEPTACLE INSERT SHOWN IN PRE-LOCK POSITION) SEE NOTE #2

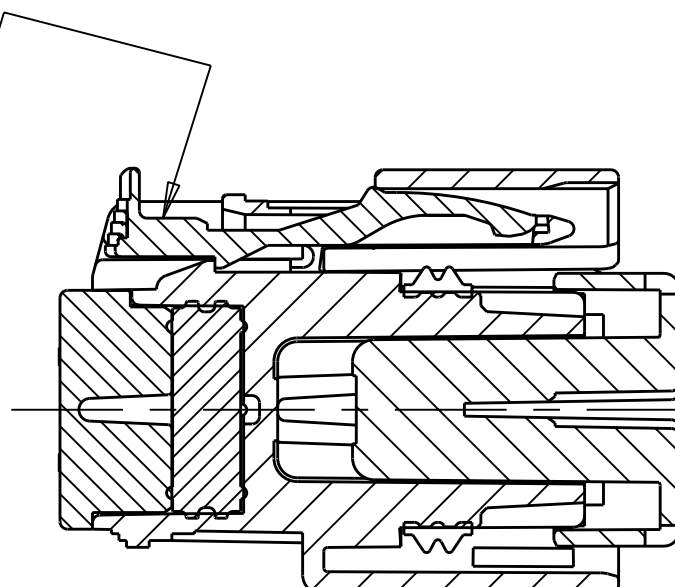
SECTION B-B (RECEPTACLE INSERT SHOWN IN FULL-LOCK POSITION) SEE NOTE #2



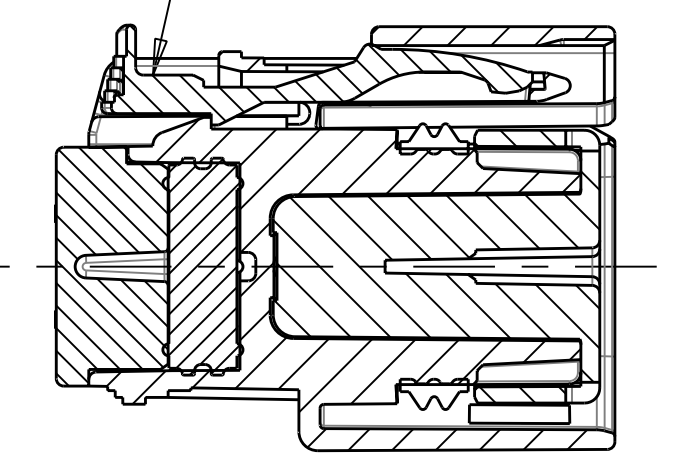
SCALE 1:1



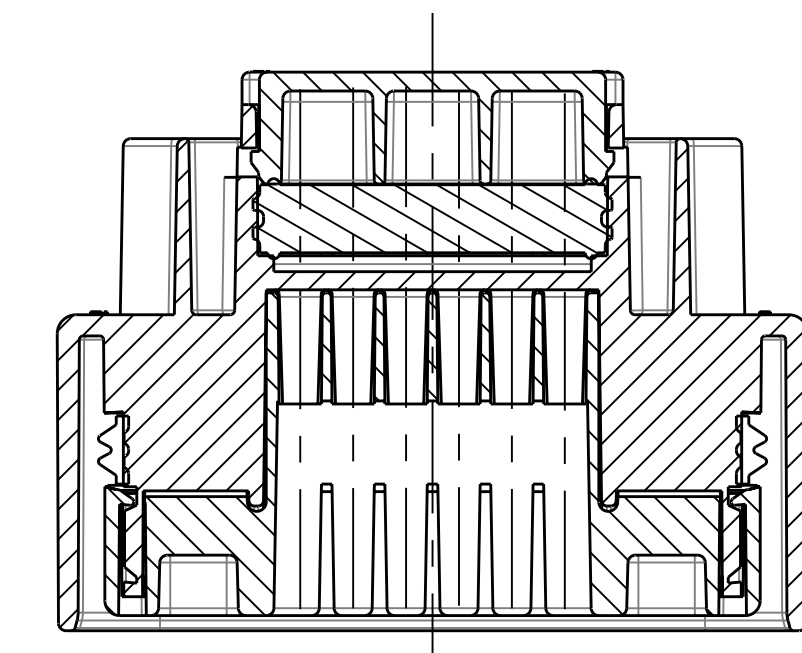
SECTION B-B (RECEPTACLE INSERT WITH SHORTING BAR SHOWN IN FULL-LOCK) SEE NOTE #2



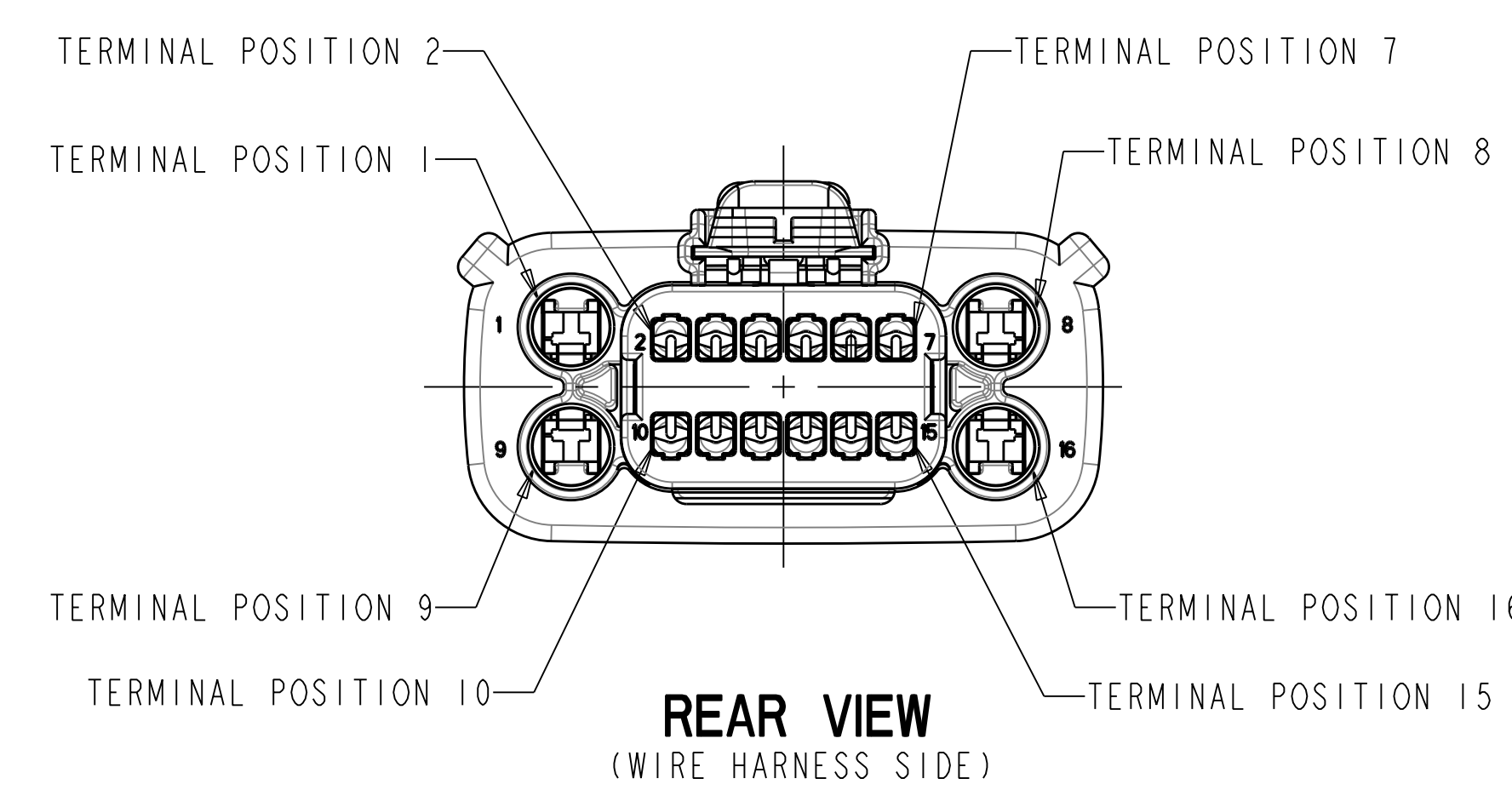
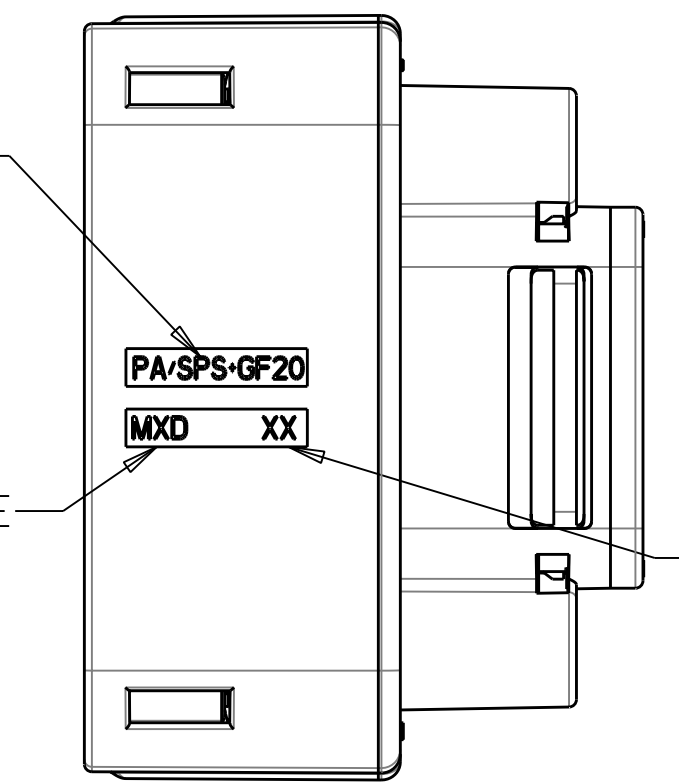
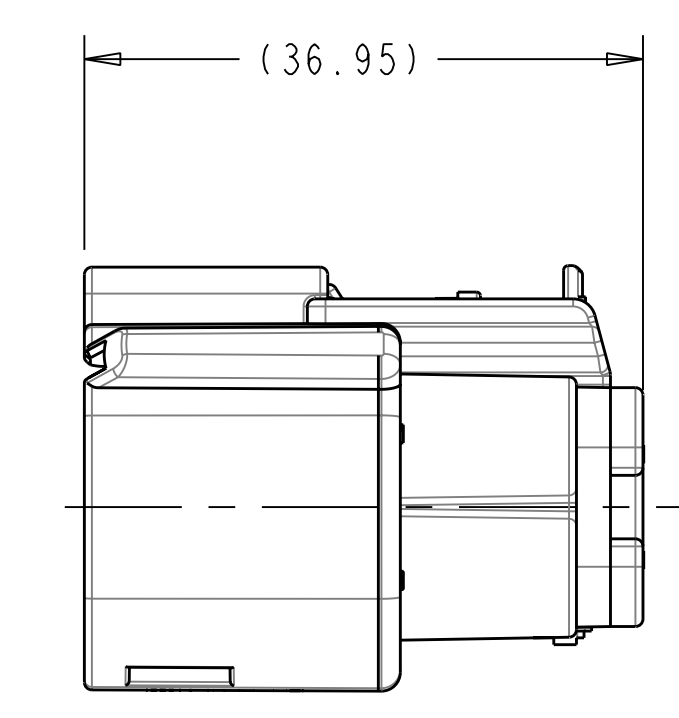
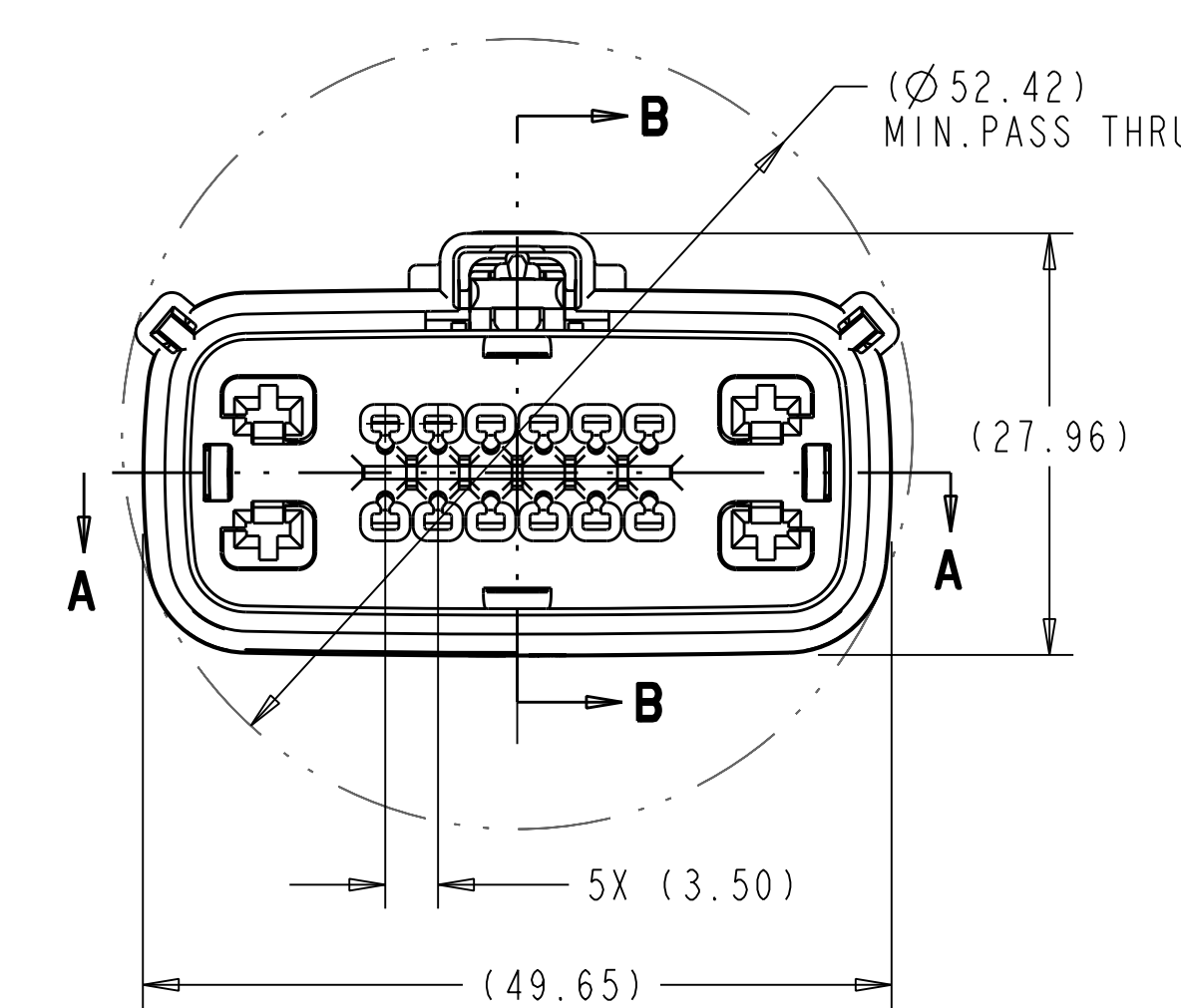
SECTION B-B (RECEPTACLE INSERT SHOWN IN PRE-LOCK POSITION) SEE NOTE #2



SECTION B-B (RECEPTACLE INSERT SHOWN IN FULL-LOCK POSITION) SEE NOTE #2



SECTION A-A



REAR VIEW (WIRE HARNESS SIDE)

MATERIAL RECYCLE CODE
MOLDING LOCATION CODE
MOLD CAVITY I.D.

- NOTES: UNLESS OTHERWISE SPECIFIED
- DESIGNED TO MATE WITH BLADE HOUSING ASSEMBLY SPECIFIED IN CHARTED DRAWING E-33486-161 OR DEVICE CONNECTION AS SPECIFIED IN DRAWING E-33586-161. SEE CHART
 - ASSEMBLY SHIPPED WITH RECEPTACLE INSERT IN PRE-LOCK POSITION (SEE SECTION B-B PRE-LOCK). UPON FULL TERMINAL ASSEMBLY, EACH RECEPTACLE INSERT MUST BE SNAPPED INTO ITS FINAL-LOCK POSITION.
 - FOR 1.5mm RECEPTACLE TERMINALS TO BE USED WITH THIS ASSEMBLY, SEE MOLEX DRAWING E-33012-001. FOR FORD 2.8mm FEMALE RECEPTACLE SEE CHART.
 - SYSTEM TO BE USED WITH WIRE WITHIN Ø RANGE OF 1.2mm TO 2.4mm.
 - OPTIONAL CPA SHOWN IN ALL VIEWS. SEE TABLES FOR SPECIFIC ASSEMBLY OPTION AND NUMBER. CPA MUST BE INSERTED TO THE PRE-LOCK POSITION, AS SHOWN IN SECTION B-B. WHEN CORRECTLY SEATED THE CPA DOES NOT MOVE, FREELY.
 - SERVICE WITH SCREWDRIVER.
 - REFER TO SHEET # 2 OF THIS DRAWING FOR ALL PART NUMBER CONFIGURATION OPTIONS.
 - REFER TO ASSEMBLY DRAWING E-33476-181 FOR RECEPTACLE WITH CLIP SLOT OPTIONS.
 - 9a. ENGAGEMENT FORCE - NO TERMINALS (PRE TO FINAL): 15N MIN.
b. ENGAGEMENT FORCE - WITH TERMINALS (PRE TO FINAL): 60N MAX.
c. DISENGAGEMENT FORCE - WITH TERMINALS (FINAL TO PRE): 18N MIN. 60N MAX.
d. PARTIALLY INSTALLED TERMINAL DETECTION - 80N MIN OR 40N GREATER THAN (b) WHICHEVER IS GREATER.
e. REMOVAL FORCE - WITH TERMINALS (FINAL TO OUT OF CONNECTOR): 25N MIN.

TYCO 2.8mm CABLE SEAL TERMINAL	
FORD P/N	GRIP SIZE
IFIT-14474-KA	12
IFIT-14474-JA	14
IFIT-14474-HA	16
IFIT-14474-GA	18
IFIT-14474-FA	20
IFIT-14474-EA	22

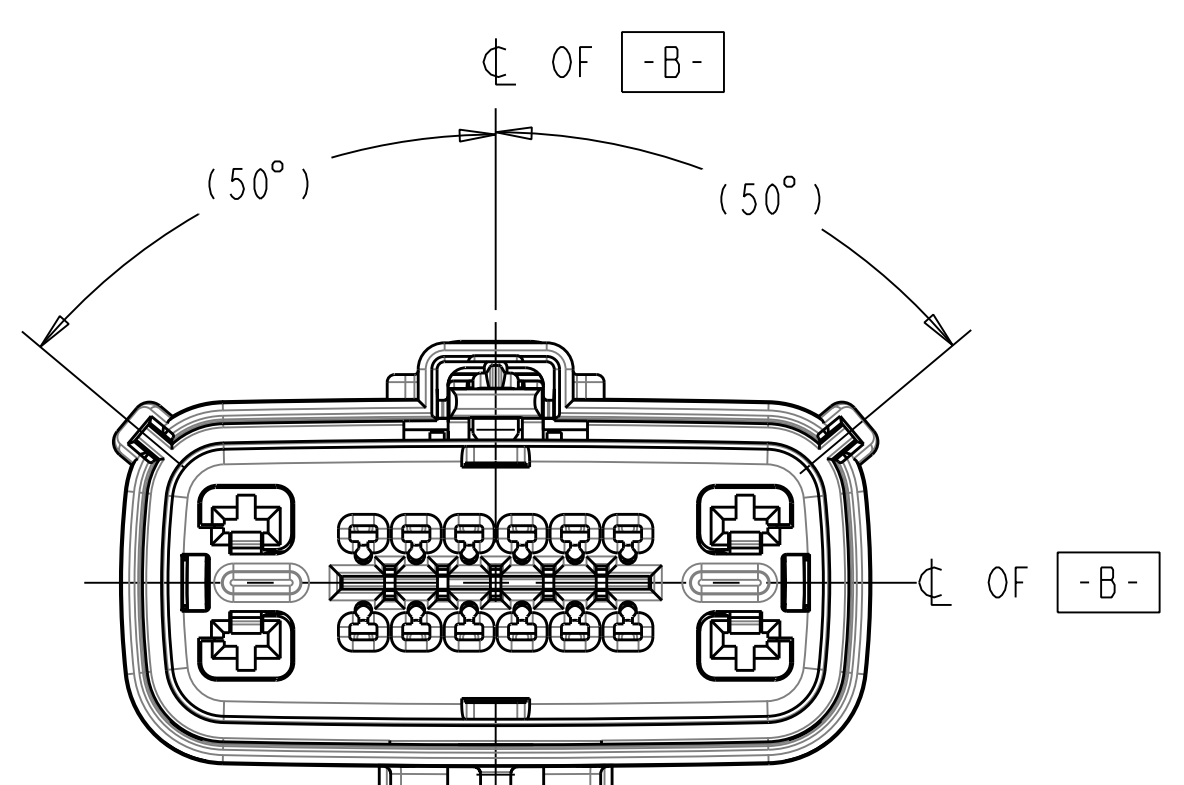
EC NO: UA02005-0053
DRWN: D.GRIFFITHS 08-11-04
CHK: D.GRIFFITHS 08-11-04
APPR: D.GRIFFITHS 08-11-04

QUALITY SYMBOLS	GENERAL TOLERANCES (UNLESS SPECIFIED)	
	mm	INCH
4 PLACES	± .10	± .004
3 PLACES	± .15	± .005
2 PLACES	± 0.10	± .004
1 PLACE	± 0.3	± .012
	ANGULAR ± 3°	

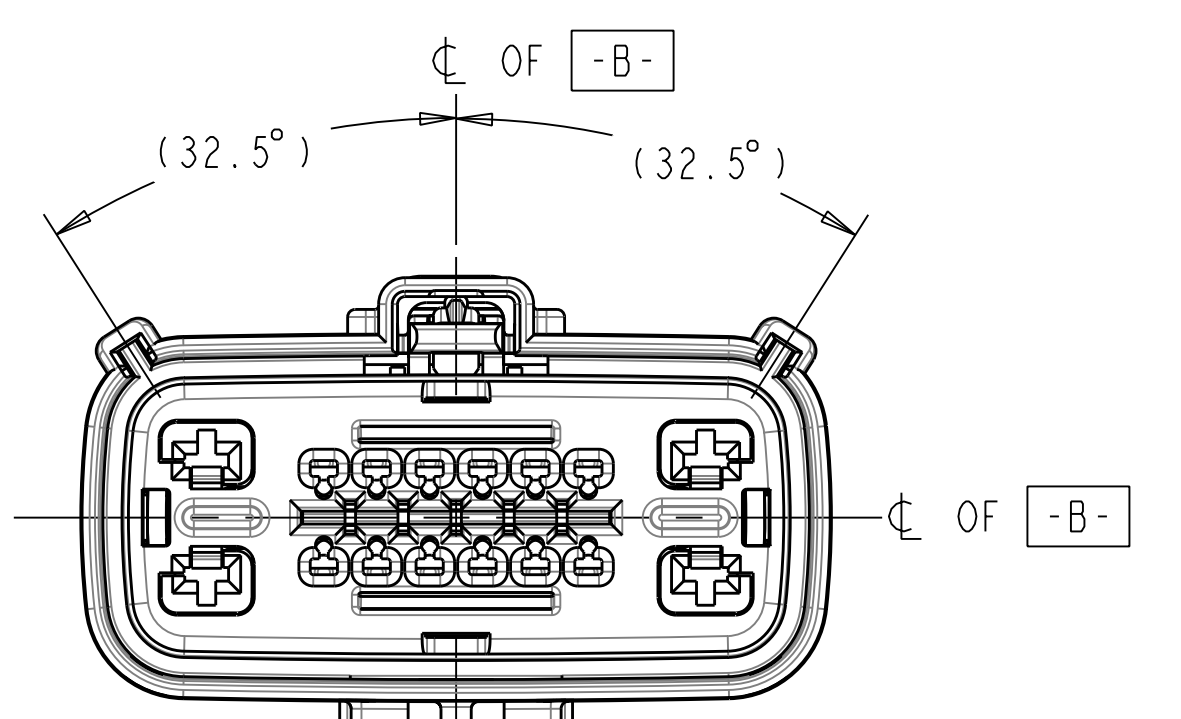
SCALE	DESIGN UNITS
2:1	mm

THIRD ANGLE PROJECTION		REVISE ON CAD ONLY	
TITLE			
1.5mm/2.8mm HYBRID CONNECTOR, RCPT 2 ROW HOUSING, SEALED, 16 WAY			
MOLEX MOLEX INCORPORATED			
MATERIAL NO.	DOCUMENT NO.	SHEET NO.	
-	SD-33476-161	1 OF 2	

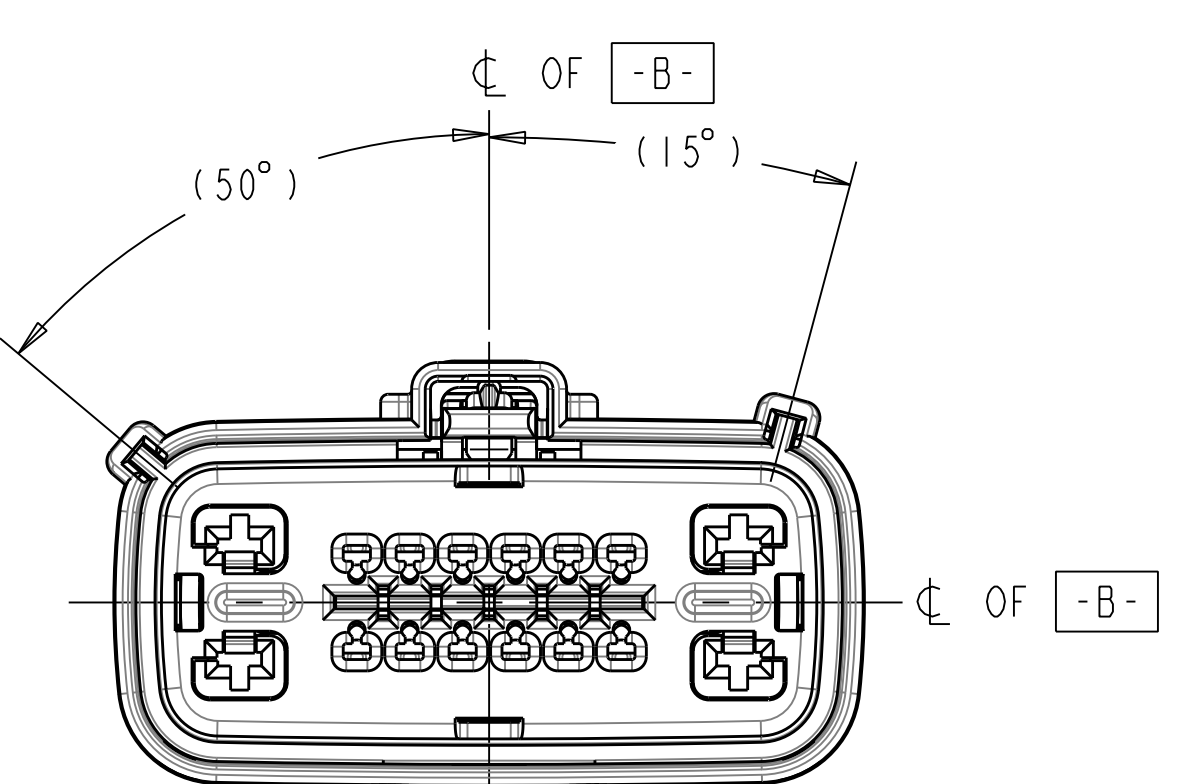
THIS DRAWING CONTAINS INFORMATION THAT IS PROPRIETARY TO MOLEX INCORPORATED AND SHOULD NOT BE USED WITHOUT WRITTEN PERMISSION



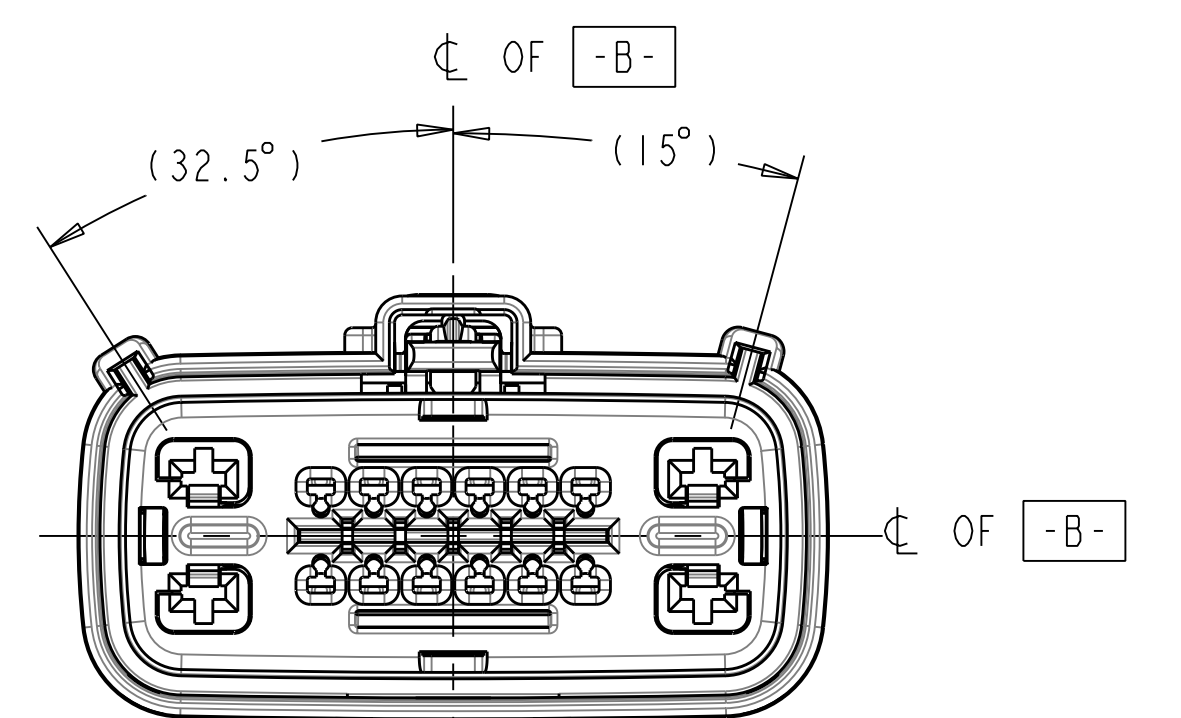
KEYING OPTION A
SCALE 2:1



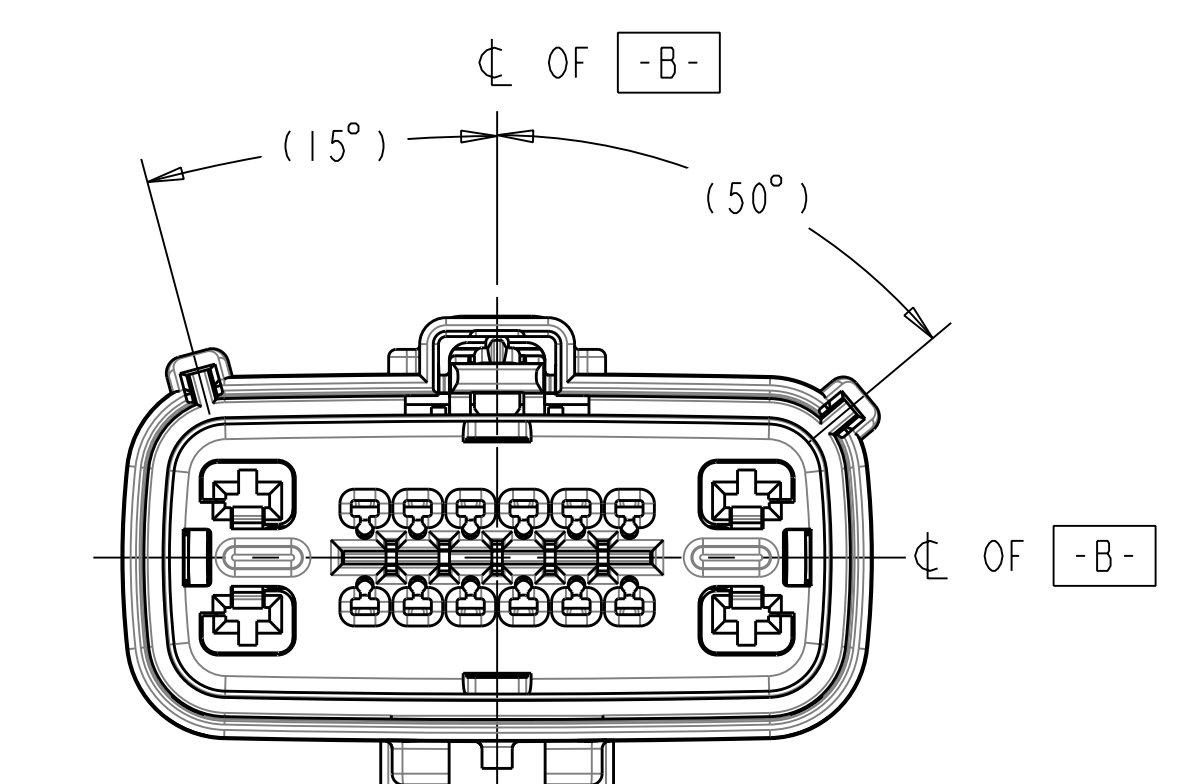
KEYING OPTION E
SCALE 2:1



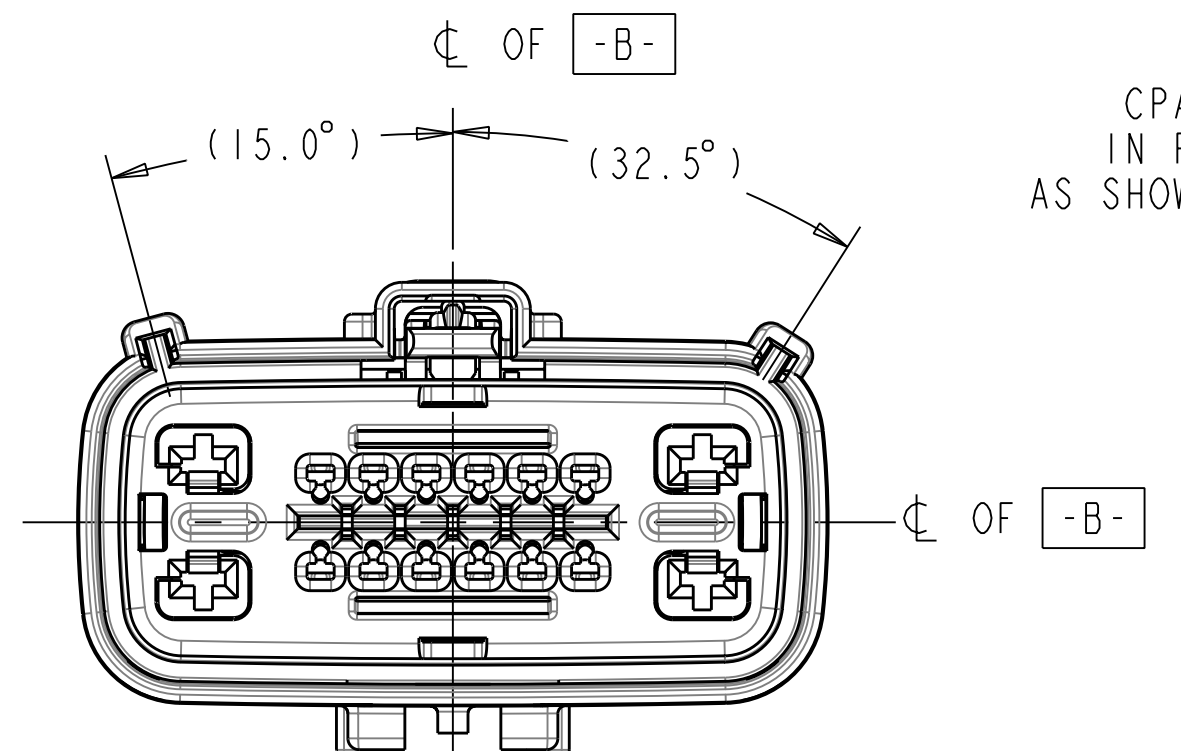
KEYING OPTION B
SCALE 2:1



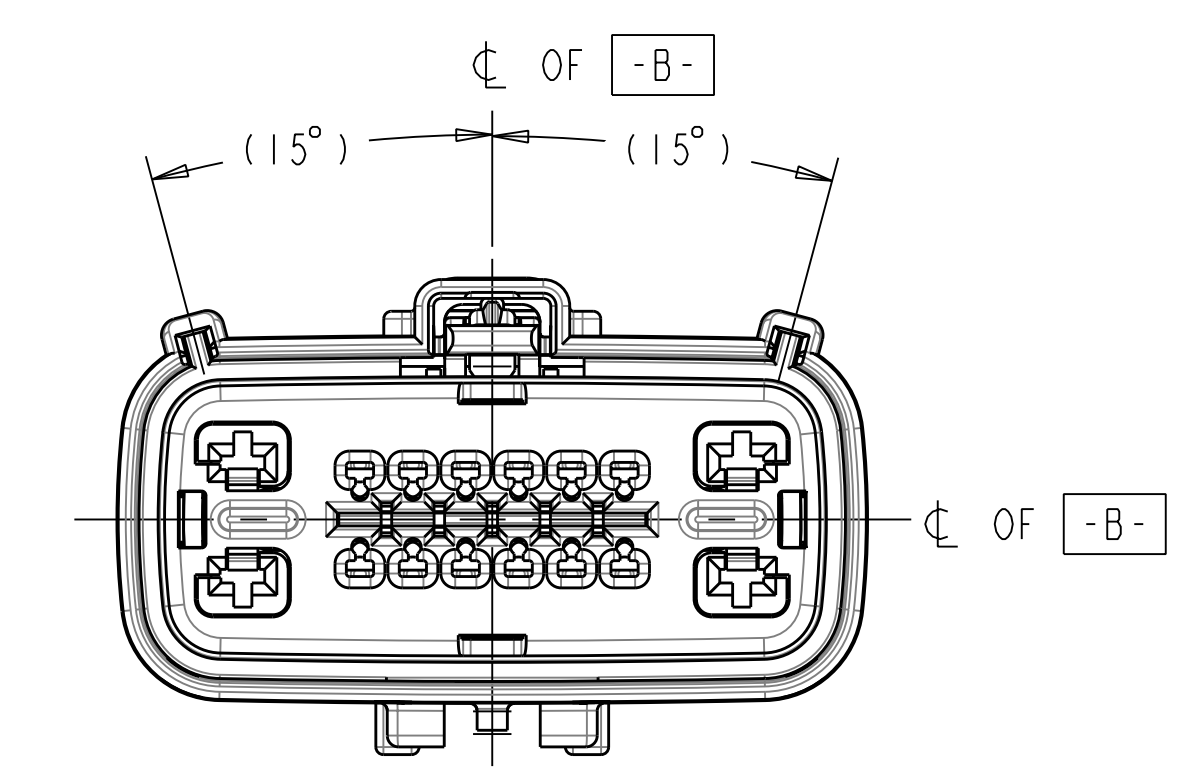
KEYING OPTION F
SCALE 2:1



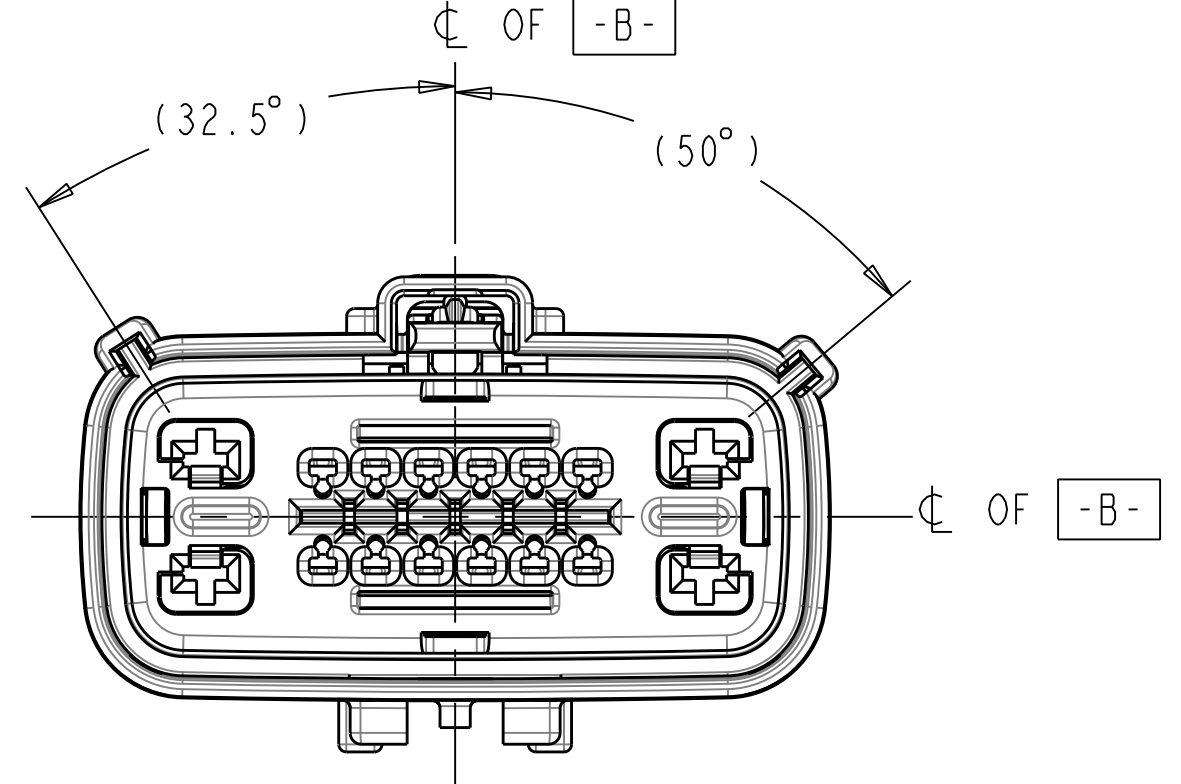
KEYING OPTION C
SCALE 2:1



KEYING OPTION G
SCALE 2:1

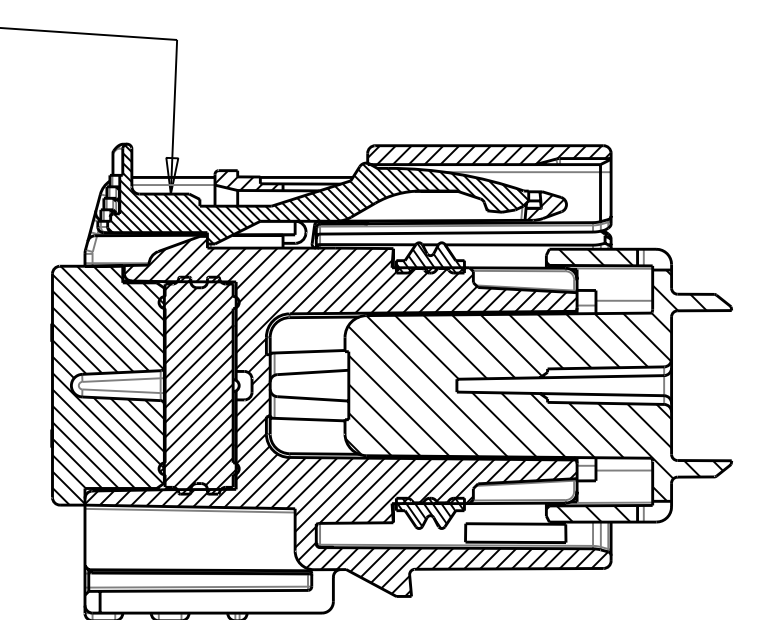


KEYING OPTION D
SCALE 2:1

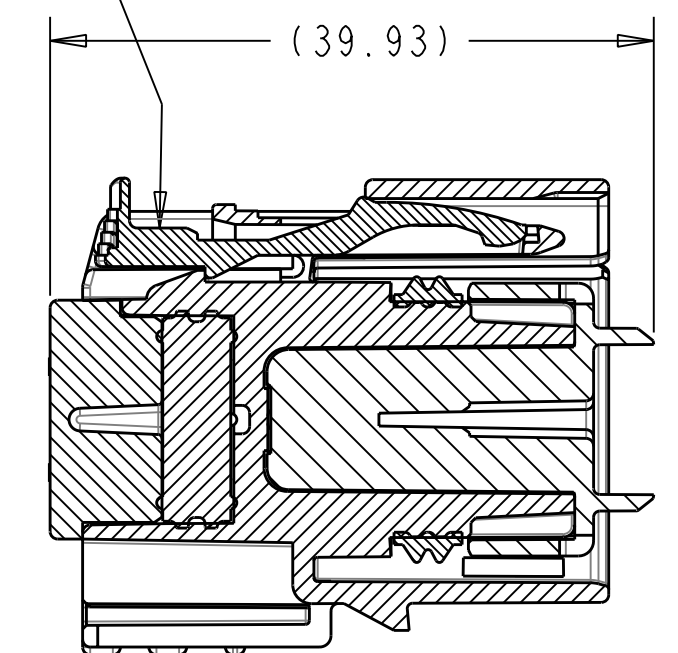


KEYING OPTION H
SCALE 2:1

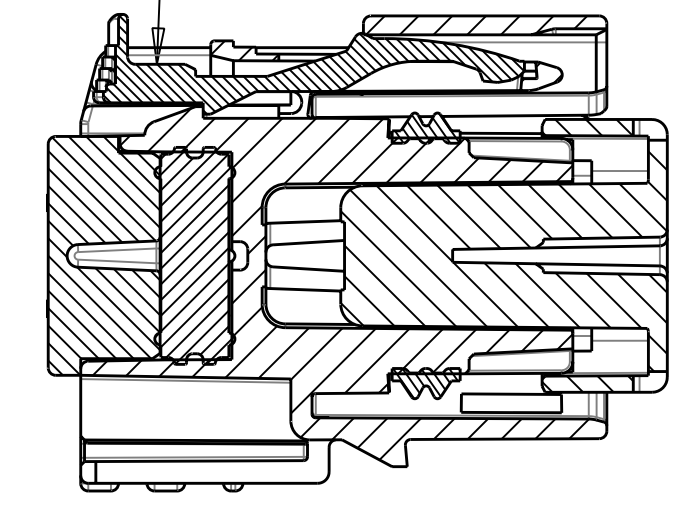
CPA TO BE INSTALLED
IN PRE-LOCK POSITION
AS SHOWN IN BOTH VIEWS,
SEE NOTE #5



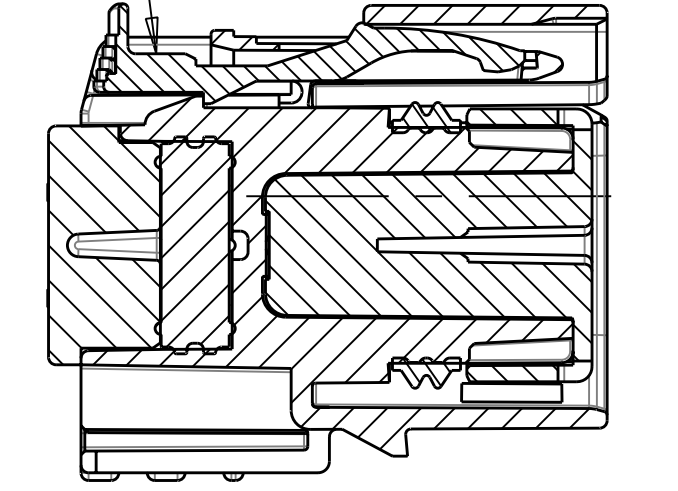
SECTION B-B
(RECEPTACLE INSERT WITH
SHORTING BAR LIFTER
SHOWN IN PRE-LOCK)
SEE NOTE #2



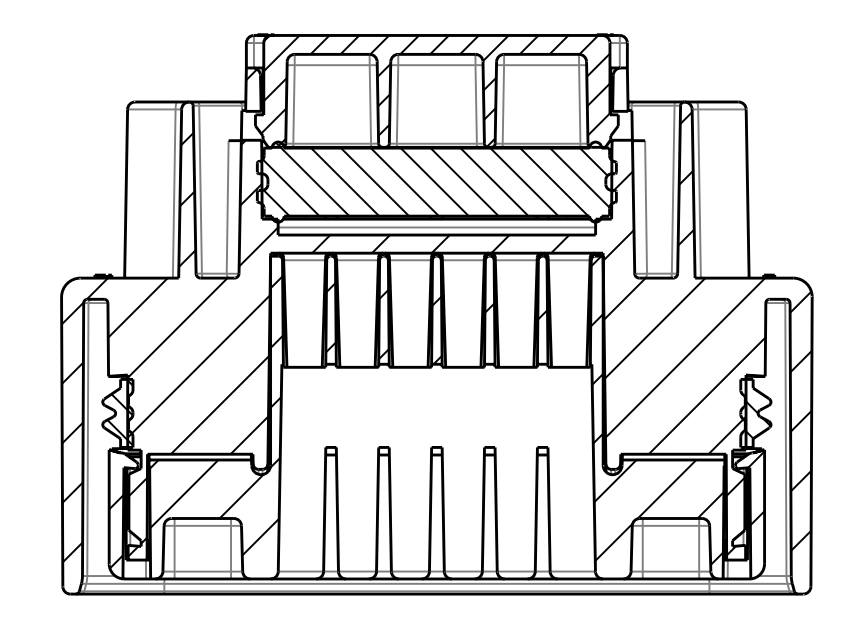
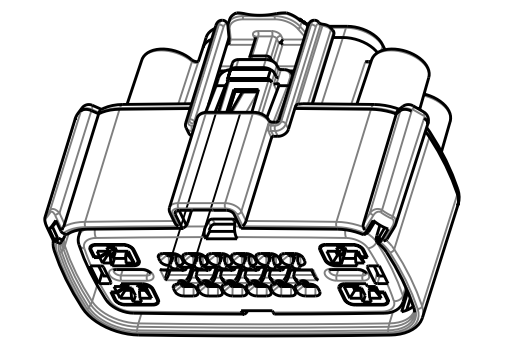
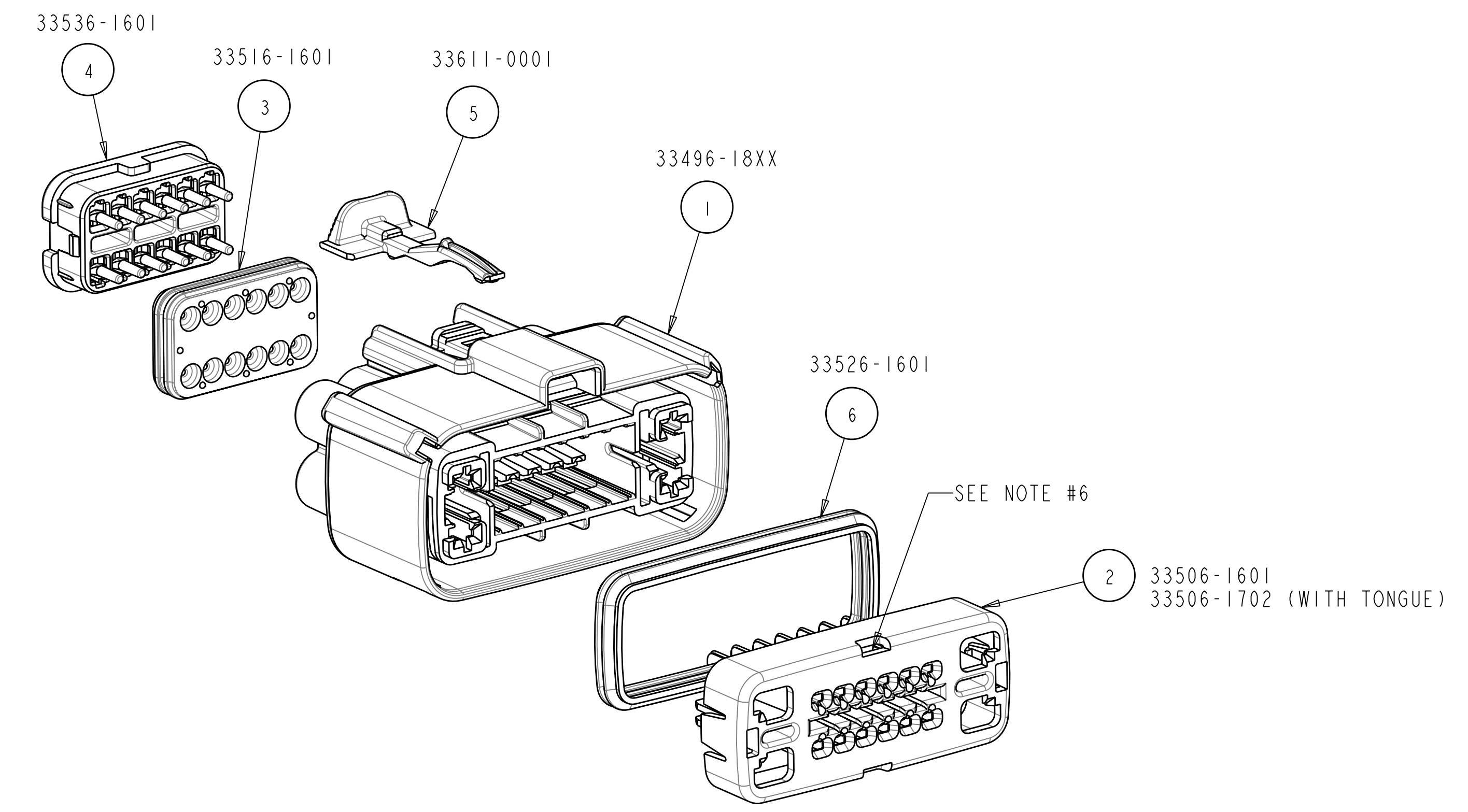
SECTION B-B
(RECEPTACLE INSERT WITH
SHORTING BAR LIFTER
SHOWN IN FULL-LOCK)
SEE NOTE #2



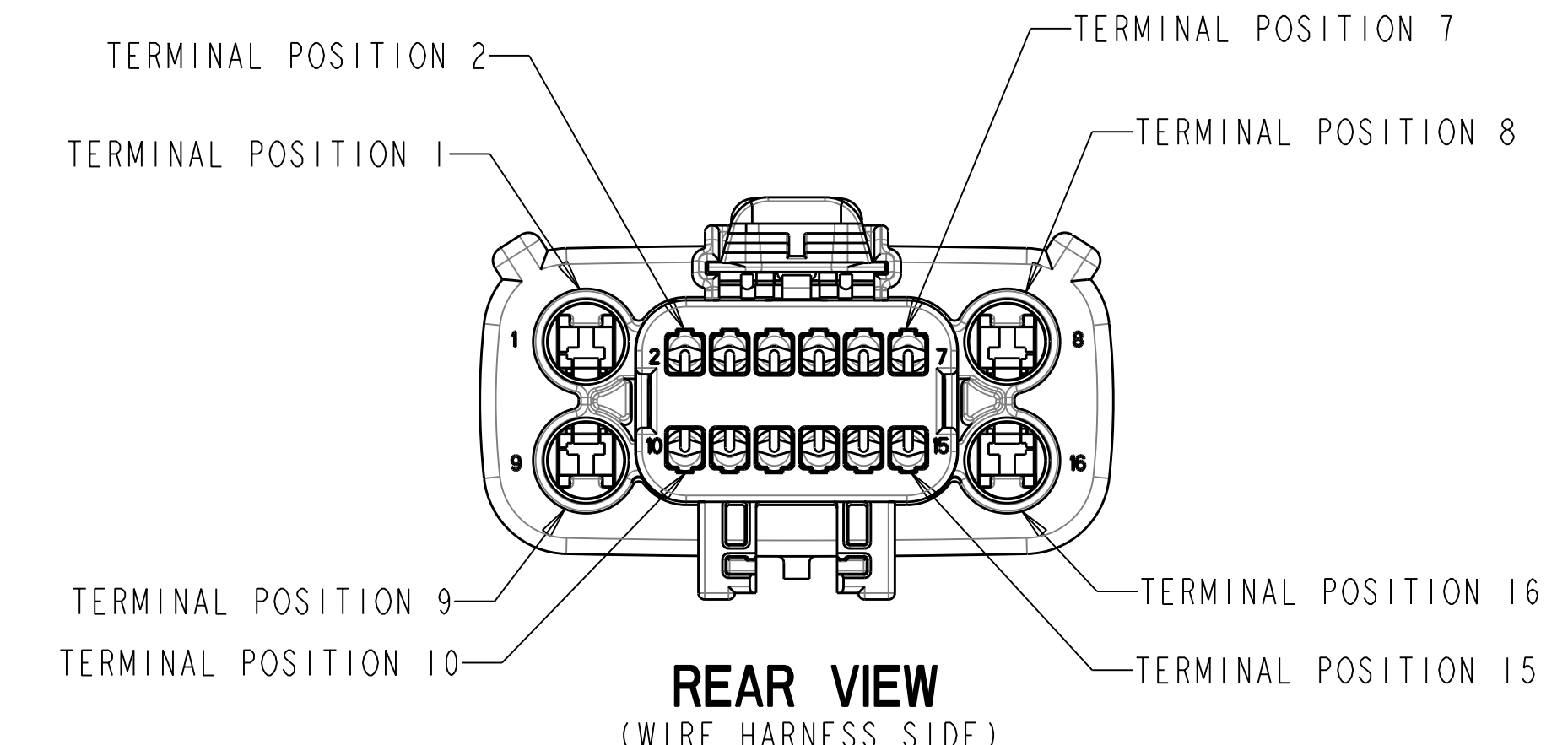
SECTION B-B
(RECEPTACLE INSERT
SHOWN IN PRE-LOCK)
SEE NOTE #2



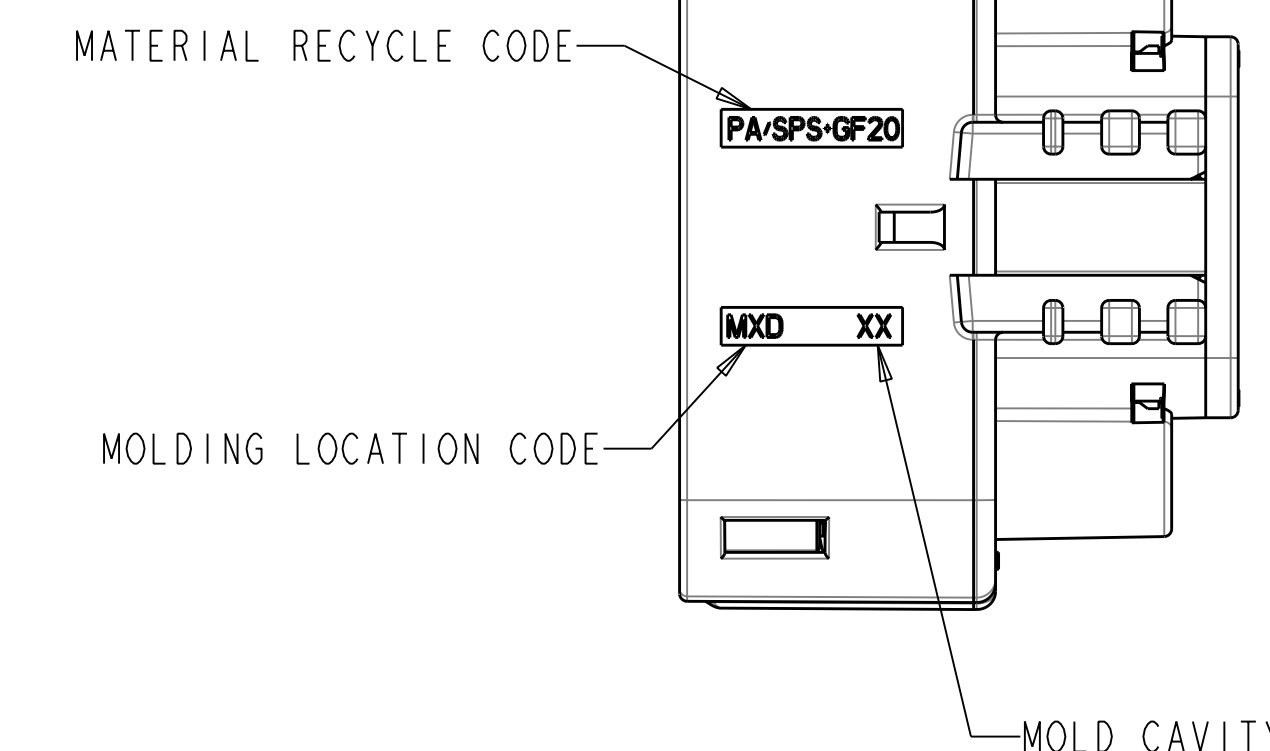
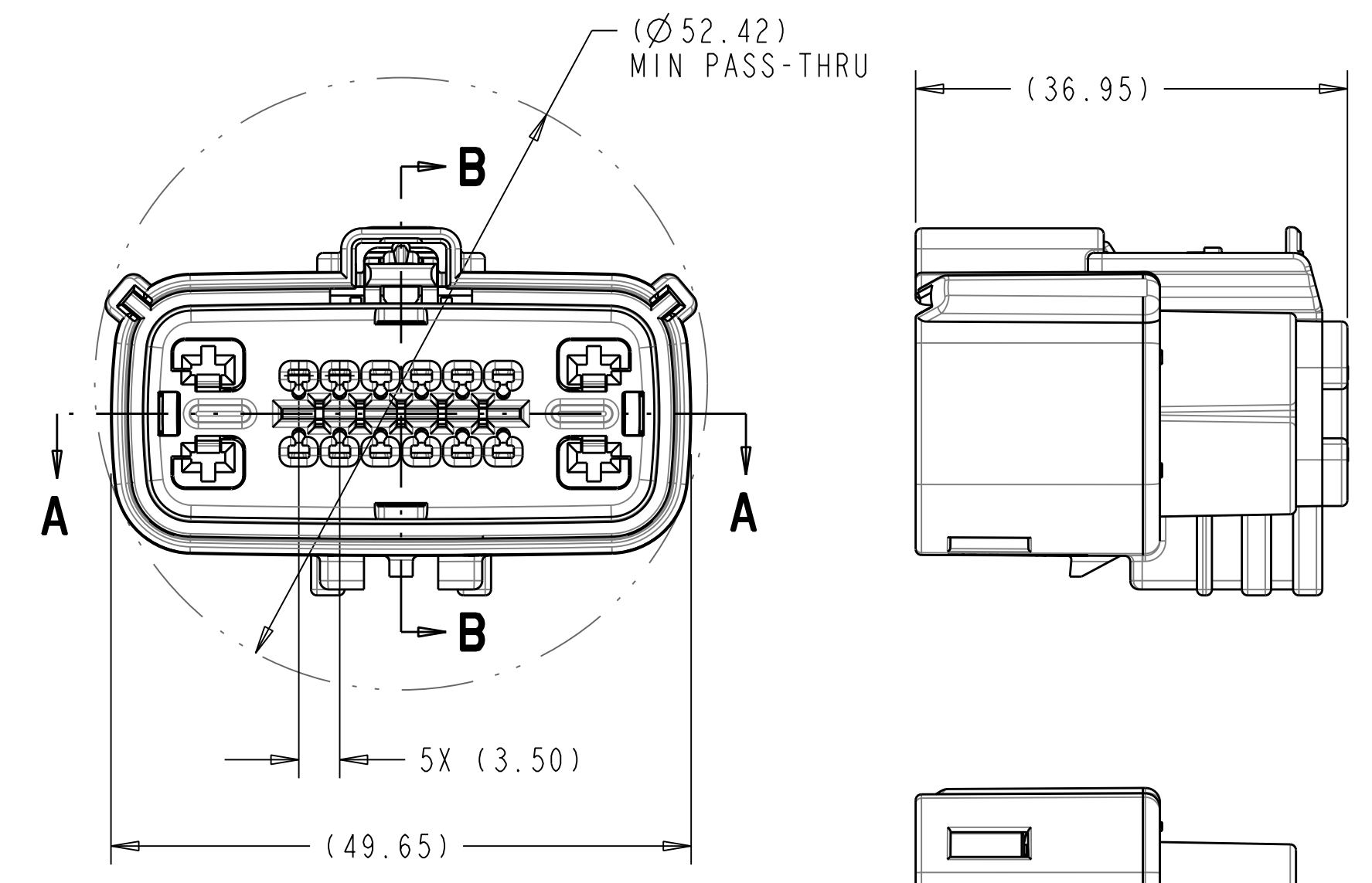
SECTION B-B
(RECEPTACLE INSERT
SHOWN IN FULL-LOCK)
SEE NOTE #2



SECTION A-A



REAR VIEW
(WIRE HARNESS SIDE)



- NOTES: UNLESS OTHERWISE SPECIFIED
- DESIGNED TO MATE WITH BLADE HOUSING ASSEMBLY SPECIFIED IN CHARTED DRAWING E-33486-161 OR DEVICE CONNECTION AS SPECIFIED IN DRAWING E-33586-161. SEE CHART
 - ASSEMBLY SHIPPED WITH RECEPTACLE INSERT IN PRE-LOCK POSITION (SEE SECTION B-B PRE-LOCK). UPON FULL TERMINAL ASSEMBLY, EACH RECEPTACLE INSERT MUST BE SNAPPED INTO ITS FINAL-LOCK POSITION.
 - FOR 1.5mm RECEPTACLE TERMINALS TO BE USED WITH THIS ASSEMBLY, SEE MOLEX DRAWING E-33012-001. FOR FORD 2.8mm FEMALE RECEPTACLE SEE CHART.
 - SYSTEM TO BE USED WITH WIRE WITHIN Ø RANGE OF 1.2mm TO 2.4mm.
 - OPTIONAL CPA SHOWN IN ALL VIEWS. SEE TABLES FOR SPECIFIC ASSEMBLY OPTION AND NUMBER. CPA MUST BE INSERTED TO THE PRE-LOCK POSITION, AS SHOWN IN SECTION B-B. WHEN CORRECTLY SEATED THE CPA DOES NOT MOVE, FREELY.
 - SERVICE WITH SCREWDRIVER.
 - REFER TO TABLE ON SHEET 2 OF THIS DRAWING FOR ALL PART NUMBER CONFIGURATION OPTIONS.
 - REFER TO ASSEMBLY DRAWING E-33476-161 FOR RECEPTACLE WITHOUT CLIP SLOT OPTIONS.
 - 9a. ENGAGEMENT FORCE - NO TERMINALS (PRE TO FINAL): 15N MIN.
9b. ENGAGEMENT FORCE - WITH TERMINALS (PRE TO FINAL): 60N MAX.
9c. DISENGAGEMENT FORCE - WITH TERMINALS (FINAL TO PRE): 18N MIN, 60N MAX.
9d. PARTIALLY INSTALLED TERMINAL DETECTION - 80N MIN OR 40N GREATER THAN (b) WHICHEVER IS GREATER.
9e. REMOVAL FORCE - WITH TERMINALS (FINAL TO OUT OF CONNECTOR): 25N MIN.

TYCO 2.8mm CABLE SEAL TERMINAL	
FORD P/N	GRIP SIZE
IFIT-14474-RA	12
IFIT-14474-JA	14
IFIT-14474-HA	16
IFIT-14474-GA	18
IFIT-14474-FA	20
IFIT-14474-EA	22

EC NO: UAU2005-0053	DRWN: D.GRIFFITHS 08-11-04	CH'K: D.GRIFFITHS 08-11-04	APPR: D.GRIFFITHS 08-11-04
REV	DESCRIPTION	QUALITY SYMBOLS	GENERAL TOLERANCES (UNLESS SPECIFIED)
M			

QUALITY SYMBOLS		GENERAL TOLERANCES (UNLESS SPECIFIED)		SCALE	DESIGN UNITS
▽	-0	4 PLACES	± .00	2:1	mm
▽	-0	3 PLACES	± .01		
▽	-0	2 PLACES	± 0.10		
▽	-0	1 PLACE	± 0.3		
▽	-0	ANGULAR	± 3°		

THIRD ANGLE PROJECTION		REVISE ON CAD ONLY	
DIMENSION STYLE		TITLE	
mm		1.5mm/2.8mm HYBRID CONNECTOR, RCPT 2 ROW HOUSING w/ CLIP SLOT SEALED, 16 WAY	
DRAWN BY		DATE	
D.GRIFFITHS		05-21-03	
CHECKED BY		DATE	
D.GRIFFITHS		05-21-03	
APPROVED BY		DATE	
D.GRIFFITHS		05-21-03	
MATERIAL NO.		DOCUMENT NO.	
-		SD-33476-181	
SHEET NO.		1 OF 2	
E			

THIS DRAWING CONTAINS INFORMATION THAT IS PROPRIETARY TO MOLEX INCORPORATED AND SHOULD NOT BE USED WITHOUT WRITTEN PERMISSION

T	ASSEMBLY PART NUMBER	HOUSING PART NUMBER	COLOR	KEYING OPTION	MAT SEAL CAP	CAVITY TYPE & STATUS (X = PLUGGED)										CPA	INTERFACE SEAL	MAT SEAL	INSERT/TPA		
						2	3	4	5	6	7	10	11	12	13					14	15
T	33476-1713	33496-1806	BLACK	E	33536-1601													33526-1601	33516-1601	33506-1702	
T	33476-1841	33496-1801	BLACK	A	33536-1601													33526-1601	33516-1601	33506-1601	
T	33476-1848	33496-1801	BLACK	A	33536-1601	X											33611-0001	33526-1601	33516-1601	33506-1601	
T	33476-1849	33496-1801	BLACK	A	33536-1601												33611-0001	33526-1601	33516-1601	33506-1601	
S	33476-1850	33496-1801	BLACK	A	33536-1601	X					X	X						33526-1601	33516-1601	33506-1601	
S	33476-1851	33496-1807	LT.GRAY	F	33536-1601	X	X			X	X				X	X	X		33526-1601	33516-1601	33506-1702
S	33476-1852	33496-1807	LT.GRAY	F	33536-1601					X									33526-1601	33516-1601	33506-1702
S	33476-1853	33496-1807	LT.GRAY	F	33536-1601	X	X			X					X				33526-1601	33516-1601	33506-1702
S	33476-1854	33496-1807	LT.GRAY	F	33536-1601					X					X				33526-1601	33516-1601	33506-1702
S	33476-1855	33496-1807	LT.GRAY	F	33536-1601	X				X		X	X						33526-1601	33516-1601	33506-1702
R	33476-1856	33496-1807	LT.GRAY	F	33536-1601					X					X				33526-1601	33516-1601	33506-1702
R	33476-1857	33496-1807	LT.GRAY	F	33536-1601					X			X	X					33526-1601	33516-1601	33506-1702
R	33476-1858	33496-1807	LT.GRAY	F	33536-1601	X	X			X									33526-1601	33516-1601	33506-1702
R	33476-1859	33496-1807	LT.GRAY	F	33536-1601										X				33526-1601	33516-1601	33506-1702
R	33476-1860	33496-1807	LT.GRAY	F	33536-1601	X	X	X	X	X		X							33526-1601	33516-1601	33506-1702
O	33476-1861	33496-1801	BLACK	A	33536-1601	X	X	X					X	X		X			33526-1601	33516-1601	33506-1601
O	33476-1862	33496-1806	BLACK	E	33536-1601	X										X			33526-1601	33516-1601	33506-1702
O	33476-1875	33496-1806	BLACK	E	33536-1601								X	X		X			33526-1601	33516-1601	33506-1702
O	33476-1876	33496-1806	BLACK	E	33536-1601					X	X	X	X			X			33526-1601	33516-1601	33506-1702
O	33476-1877	33496-1806	BLACK	E	33536-1601										X	X			33526-1601	33516-1601	33506-1702
P	33476-1878	33496-1806	BLACK	E	33536-1601										X				33526-1601	33516-1601	33506-1702
P	33476-1881	33496-1801	BLACK	A	33536-1601					X	X					X			33526-1601	33516-1601	33506-1601
P	33476-1891	33496-1801	BLACK	A	33536-1601	X	X			X									33526-1601	33516-1601	33506-1601
P	33476-1892	33496-1806	BLACK	E	33536-1601	X	X									X	X		33526-1601	33516-1601	33506-1702
P	33476-1893	33496-1806	BLACK	E	33536-1601							X	X		X	X			33526-1601	33516-1601	33506-1702
O	33476-1894	33496-1807	LT.GRAY	F	33536-1601										X	X	X		33526-1601	33516-1601	33506-1702
O	33476-1895	33496-1809	YELLOW	H	33536-1601														33526-1601	33516-1601	33506-1702
O	33476-1896	33496-1809	YELLOW	H	33536-1601										X				33526-1601	33516-1601	33506-1702
O	33476-1897	33496-1807	LT.GRAY	F	33536-1601					X	X	X	X	X	X	X			33526-1601	33516-1601	33506-1702
N	33476-1898	33496-1807	LT.GRAY	F	33536-1601					X		X	X	X	X	X			33526-1601	33516-1601	33506-1702
N	33476-1899	33496-1809	YELLOW	H	33536-1601					X	X	X	X		X				33526-1601	33516-1601	33506-1702
N	33476-1900	33496-1809	YELLOW	H	33536-1601					X		X	X		X				33526-1601	33516-1601	33506-1702
N	33476-2201	33496-1806	BLACK	E	33536-1601														33526-1601	33516-1601	33506-1702
N	33476-2202	33496-1807	LT.GRAY	F	33536-1601	X	X			X	X					X	X	X	33526-1601	33516-1601	33506-1702
N	33476-2203	33496-1807	LT.GRAY	F	33536-1601					X									33526-1601	33516-1601	33506-1702
M	33476-2204	33496-1807	LT.GRAY	F	33536-1601	X	X			X						X			33526-1601	33516-1601	33506-1702
M	33476-2205	33496-1807	LT.GRAY	F	33536-1601					X						X			33526-1601	33516-1601	33506-1702
M	33476-2206	33496-1807	LT.GRAY	F	33536-1601	X				X		X	X						33526-1601	33516-1601	33506-1702
M	33476-2207	33496-1807	LT.GRAY	F	33536-1601					X					X				33526-1601	33516-1601	33506-1702
M	33476-2208	33496-1807	LT.GRAY	F	33536-1601					X			X	X					33526-1601	33516-1601	33506-1702
L	33476-2209	33496-1807	LT.GRAY	F	33536-1601	X	X			X		X							33526-1601	33516-1601	33506-1702
L	33476-2210	33496-1807	LT.GRAY	F	33536-1601							X							33526-1601	33516-1601	33506-1702
L	33476-2211	33496-1807	LT.GRAY	F	33536-1601	X	X	X	X	X									33526-1601	33516-1601	33506-1702

EC NO: UAU2005-0053 DRWN: D.GRIFFITHS 08-11-04 CH'K: D.GRIFFITHS 08-11-04 APPR: D.GRIFFITHS 08-11-04	QUALITY SYMBOLS 	GENERAL TOLERANCES (UNLESS SPECIFIED)		SCALE	DESIGN UNITS	THIRD ANGLE PROJECTION	REVISE ON CAD ONLY		
		mm	INCH	2.000	mm		TITLE		
		4 PLACES	± .00	± .00	DIMENSION STYLE		1.5mm/2.8mm HYBRID CONNECTOR, RCPT 2 ROW HOUSING w/ CLIP SLOT SEALED, 16 WAY		
		3 PLACES	± .00	± .00	mm				
2 PLACES	± 0.10	± .00	DRAWN BY		DATE		SHEET NO.		
1 PLACE	± 0.3	± .00	D.GRIFFITHS		05-21-03		2 OF 2		
ANGULAR		± 3°		CHECKED BY		DATE		MATERIAL NO.	
				D.GRIFFITHS		05-21-03		DOCUMENT NO.	
				APPROVED BY		DATE		SD-33476-181	
				D.GRIFFITHS		05-21-03			
THIS DRAWING CONTAINS INFORMATION THAT IS PROPRIETARY TO MOLEX INCORPORATED AND SHOULD NOT BE USED WITHOUT WRITTEN PERMISSION									

TABLE OF CONTENTS	
SHEET NO.	SHEET DESCRIPTION
1	NOTES AND BOM
2	CONFIGURATIONS
3	KEY CONFIGURATIONS
4	BLADE SEALED ASSEMBLY
5	SYSTEM PACKAGING

NOTES: VALID UNLESS OTHERWISE SPECIFIED

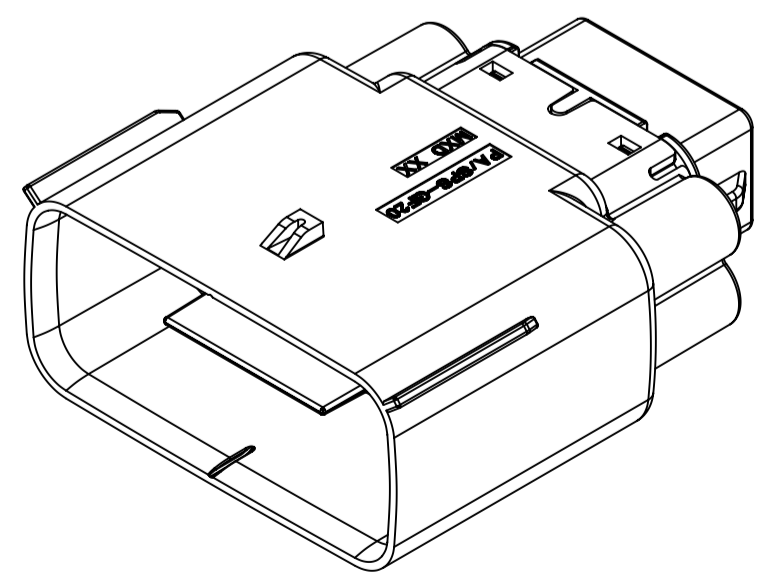
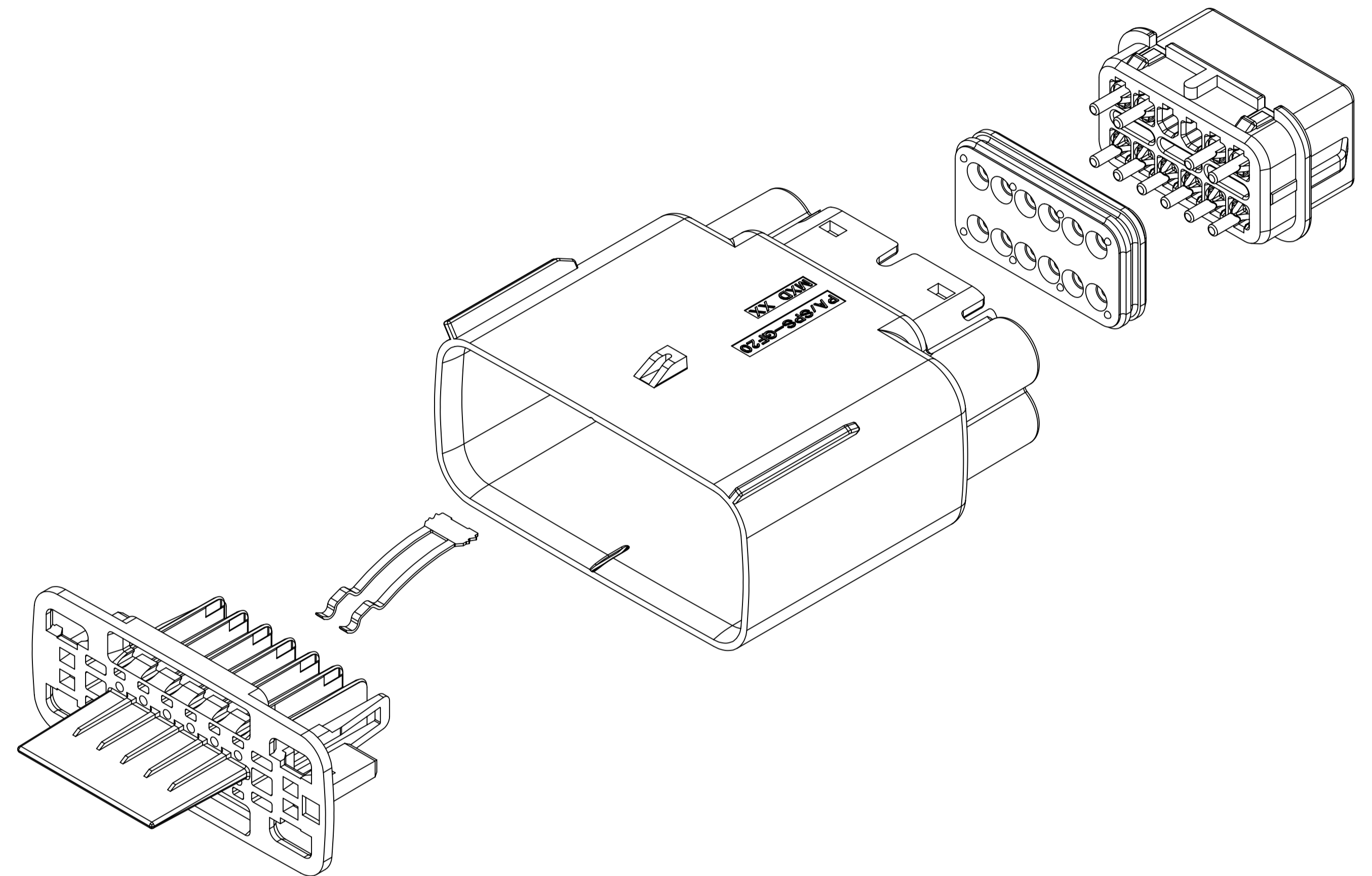
1. GENERAL:
 - a. APPLICATION SPECIFICATION SEE: AS-33472-100
 - CONTAINS: PRODUCT INTRODUCTION, PRODUCT SUMMARY, CONNECTOR ASSEMBLY, PACKAGING INFORMATION, CONNECTOR MATING, SERVICE INSTRUCTIONS, ELECTRICAL CONTINUITY CHECKING, CRIMPING, AND TROUBLESHOOTING.
 - DESIGNED TO MATE WITH RECEPTACLE SEALED ASSEMBLY AS SPECIFIED IN SD-34985-8001, SD-33476-161, OR SD-33476-181.
 - FOR SHORTING BAR APPLICATIONS RECEPTACLE SEALED ASSEMBLY CONFIGURATION MUST CONTAIN A PLR WITH SHORTING BAR LIFTER.
 - FOR 1.5mm BLADE TERMINALS TO BE USED WITH THE SHORTING BAR CIRCUIT LOCATIONS SEE MOLEX DRAWING SD-31296-001.
 - SHORTING BAR TERMINALS TO BE USED WITH WIRE DIAMETER RANGE OF 1.7mm TO 2.06mm.
 - SHORTING BAR TERMINAL CRIMP ANGLE MUST BE BETWEEN -1.4 DEG. AND +3.5 DEG. AFTER INSTALLATION INTO THE CONNECTOR ASSEMBLY. REFER TO MOLEX DRAWING SD-31296-001 FOR DETAILS.
 - FOR 1.5mm BLADE TERMINALS TO BE USED WITH THE NON-SHORTING BAR CIRCUIT LOCATIONS SEE MOLEX DRAWING SD-33000-001.
 - NON-SHORTING BAR TERMINALS TO BE USED WITH WIRE WITHIN DIAMETER RANGE OF 1.2mm TO 2.69mm.
 - FOR 2.8mm TERMINALS TO BE USED WITH THIS ASSEMBLY SEE TABLE.
 - 2.8mm TERMINALS TO BE USED WITH WIRE WITHIN DIAMETER RANGE OF 1.50mm TO 3.30mm.
 - ASSEMBLY SHIPPED WITH PLR IN PRE-LOCK POSITION (SEE PLR PRE-LOCK VIEW SHEET 4).
 - ASSEMBLY CONFORMS TO SAE-USCAR-2 REV.4 WITH THE FOLLOWING EXCEPTIONS: TERMINAL INSERTION FORCE FOR WIRE DIAMETER ABOVE 2.5mm NOT EXCEEDING 2.69mm SHALL NOT EXCEED 45 NEWTONS.
 - PLR REMOVAL FROM FINAL-LOCK TO PRE-LOCK SHALL NOT EXCEED 75 NEWTONS.
 - b. PRODUCT SPECIFICATION SEE: PS-33476-000
 - CONTAINS: PRODUCT INTRODUCTION, PRODUCT SUMMARY, RATINGS (CURRENT, TEMPERATURE, SEALING, AND FLAMMABILITY), TERMINALS, WIRE DIAMETER RANGE, PRODUCT VALIDATION, AND PRODUCT DEVIATIONS.
 - c. PACKAGING SPECIFICATION PER MOLEX DRAWING: PK-31300-514
 - d. PARTS MUST BE IN COMPLIANCE TO MOLEX CHEMICAL SUBSTANCES FOR PRODUCTS AND PACKAGING SPECIFICATION: QEHS-699000-300
 - e. DATA MUST BE SUBMITTED UNDER THE MOLEX PART NUMBER TO IMDS (COMPANY ID#13255)

2. DESIGN - MATERIALS:

- a. SEE BOM TABLE IN SD-34986-8002

3. DESIGN - GEOMETRY:

- a. THE 3-D CAD DATA IS BASIC (WITHOUT TOLERANCE) AND MASTER FOR THIS PART WITH THE EXCEPTION OF UNDERLINED DIMENSIONS. DIMENSIONAL INFORMATION NOT SHOWN ON THIS DRAWING IS DEFINED BY THE DATA FILE AT ITS LATEST REVISION.
 - b. GEOMETRIC DIMENSIONS AND TOLERANCES PER ASME Y14.5M-2009
 - c. EDGES AND UNDIMENSIONED DETAILS PER ISO13715
 - d. CORNERS SHOWN AS SHARP TO BE R 0.2 MAX.
 - e. LETTERING SHALL BE 0.15 MAX RAISED IN 0.25 MAX RECESS PAD. THIS INCLUDES RECYCLING CODE, CAVITY ID, VENDOR IDENTIFICATION, AND CUSTOMER MATERIAL NUMBER.
 - f. VISUAL DEFECTS SHALL MEET COSMETIC STANDARD PS-45499-002 (Class B).
 - g. LASER MARKING:
 1. PART NUMBER
 2. DAY OF THE YEAR
 3. SHIFT
 4. YEAR
- FOR ADDITIONAL INFORMATION SEE SECTION 5 UNDER PROCEDURES IN ES-34735-008.



TYCO 2.8mm CABLE SEAL TERMINAL	
FORD P/N MALE BLADE	GRIP SIZE
3F2T-14421-GA	12
IFIT-14421-JA	14
IFIT-14421-HA	16
IFIT-14421-GA	18
IFIT-14421-FA	20
IFIT-14421-EA	22

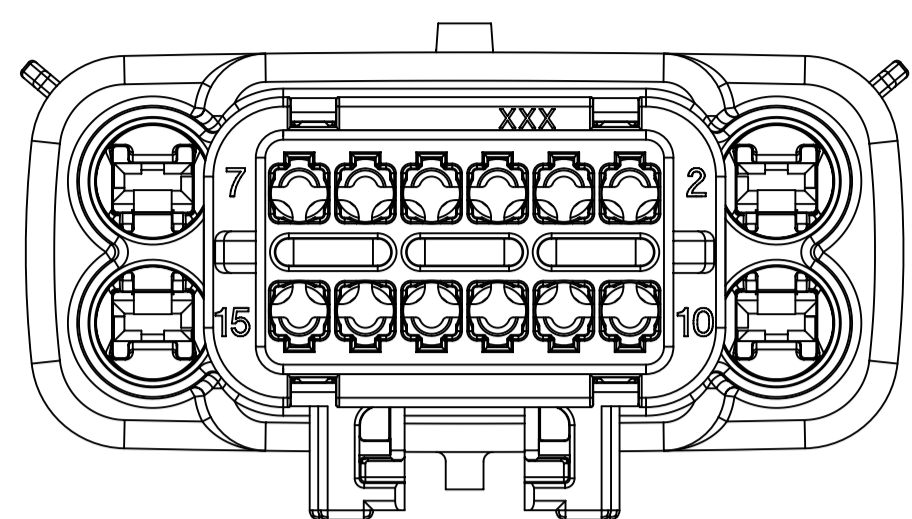
INSPECTION NUMBER LOG	
REV	REV DESCRIPTION
C1	1. UPDATED THE VIEWS IN SHEET 2 2. CHANGED THE DIM 15.00+/-0.10 TO 15.00+0.30/-0.20 IN SHEET 4
C	REDRAWN MOVED BOM TO SD-34986-8002

SYMBOLS		THIS DRAWING CONTAINS INFORMATION THAT IS PROPRIETARY TO MOLEX ELECTRONIC TECHNOLOGIES, LLC AND SHOULD NOT BE USED WITHOUT WRITTEN PERMISSION		CURRENT REV DESC:	
DIMENSION UNITS	SCALE	EC NO:	DRWN:	CHK'D:	APPR:
$\nabla = 0$	mm	177763	LSONG05	MVANSLAMBROU	VKOSHY
$\nabla = 0$	1.5:1	2018/05/30	2018/06/12	2018/06/12	2013/05/06
$\nabla = 0$	GENERAL TOLERANCES (UNLESS SPECIFIED)	2013/05/16			
$\nabla = 0$	ANGULAR TOL \pm 3.0°				
$\nabla = 0$	4 PLACES \pm				
$\nabla = 0$	3 PLACES \pm				
$\nabla = 0$	2 PLACES \pm 0.1				
$\nabla = 0$	1 PLACE \pm 0.3				
$\nabla = 0$	0 PLACES \pm				
$\nabla = 0$	DRAFT WHERE APPLICABLE MUST REMAIN WITHIN DIMENSIONS				

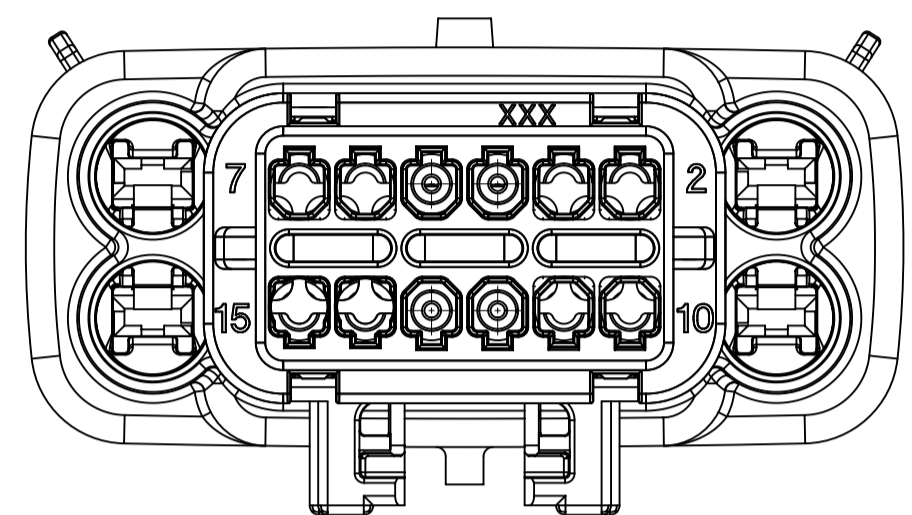
molex		MX150 16 WAY HYBRID BLADE SEALED ASSEMBLY	
PRODUCT CUSTOMER DRAWING			
DOCUMENT NUMBER	DOC TYPE	DOC PART	REVISION
SD-34986-8001	PSD	001	C1
MATERIAL NUMBER	CUSTOMER	SHEET NUMBER	
	GENERAL MARKET	1 OF 5	

SHEET DESCRIPTION

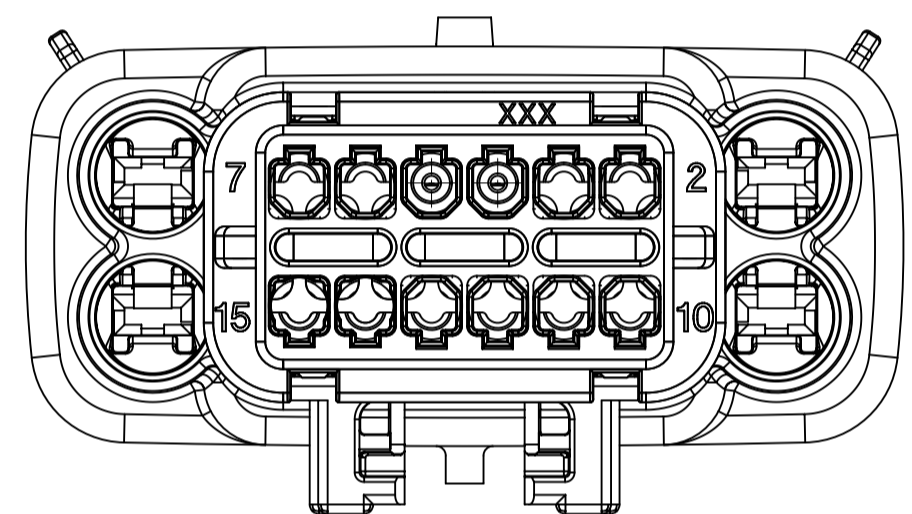
CONFIGURATIONS



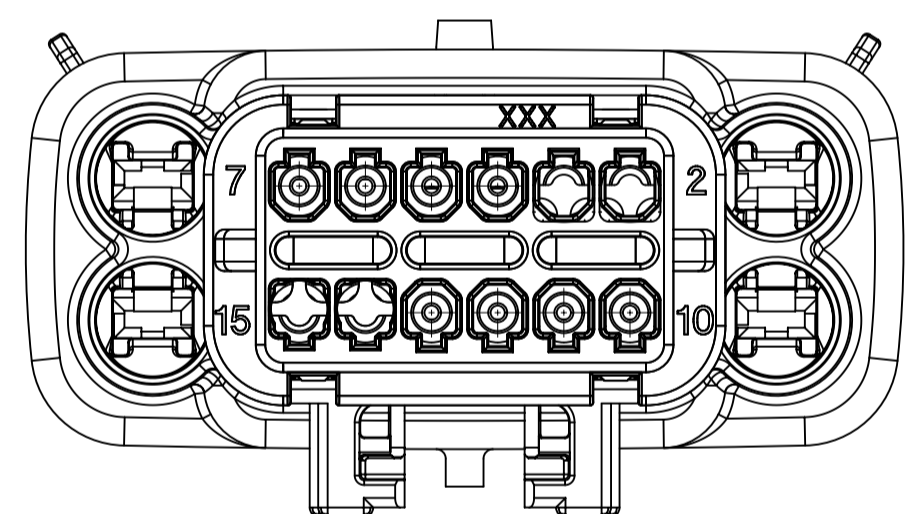
STANDARD GROMMET CAP



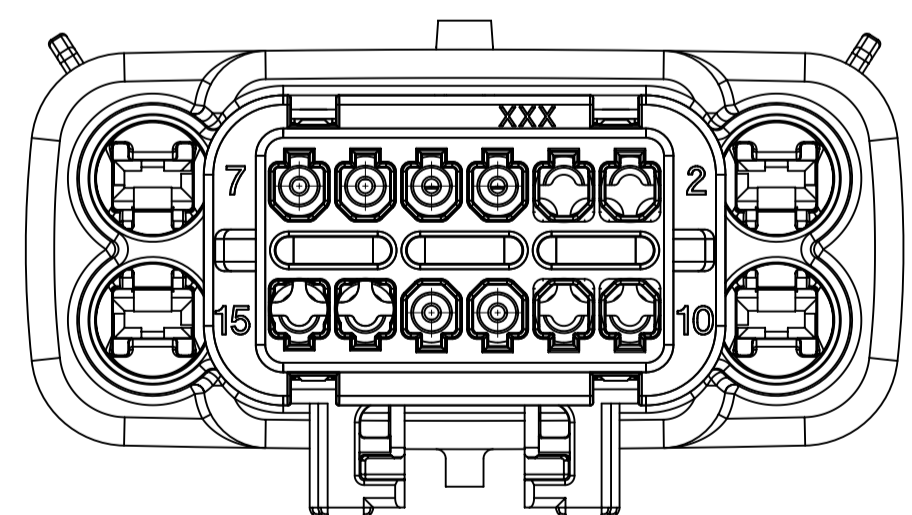
SHORTING BAR GROMMET CAP 1



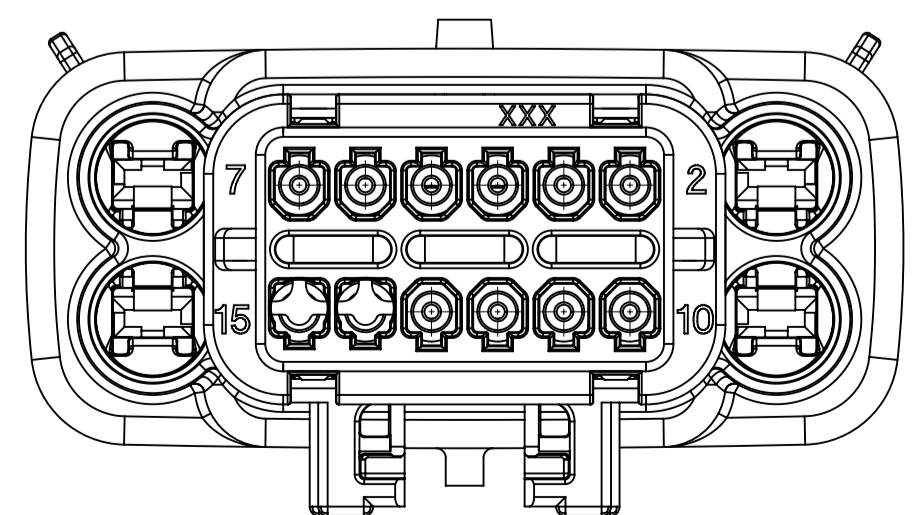
SHORTING BAR GROMMET CAP 2



SHORTING BAR GROMMET CAP 3



SHORTING BAR GROMMET CAP 4

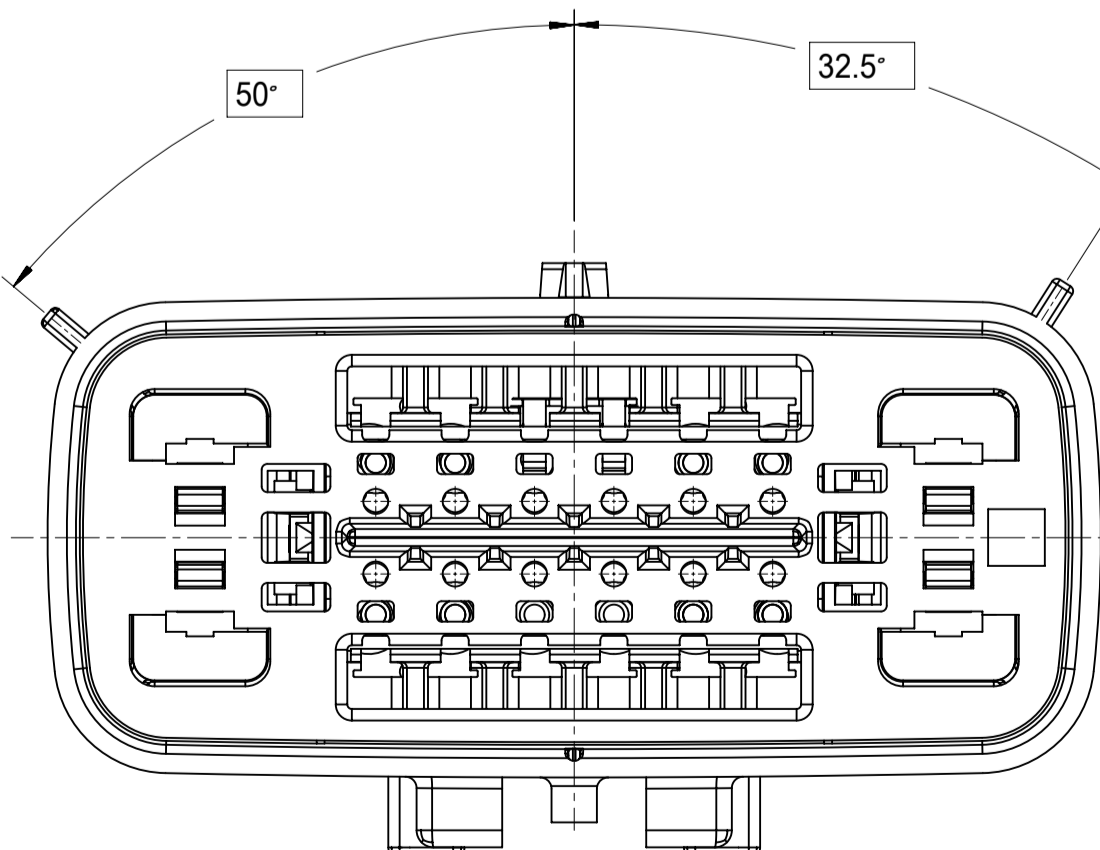
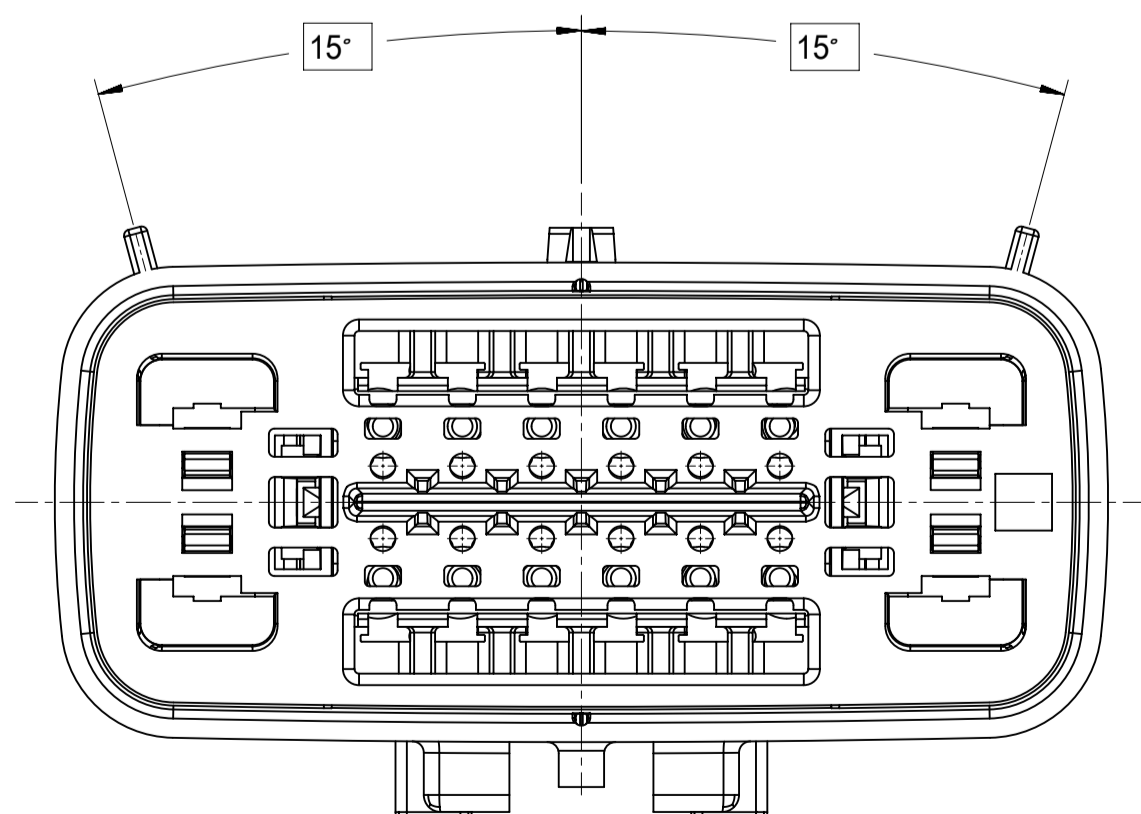
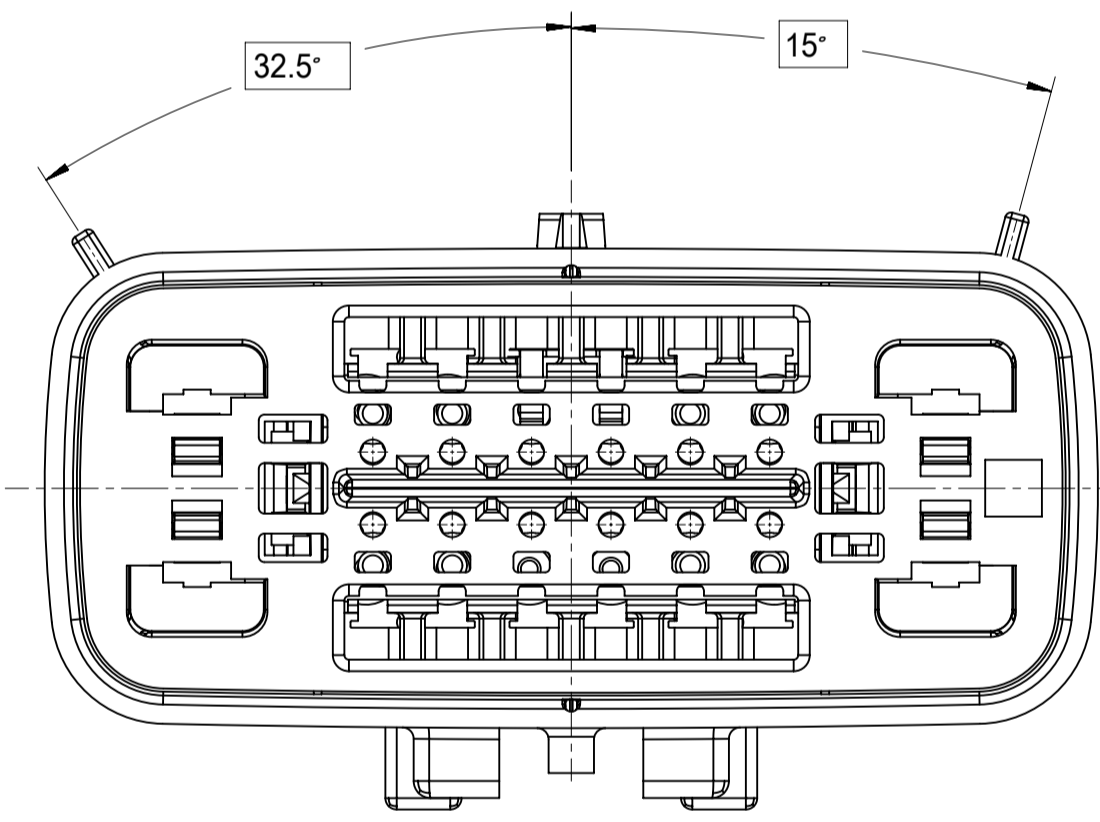
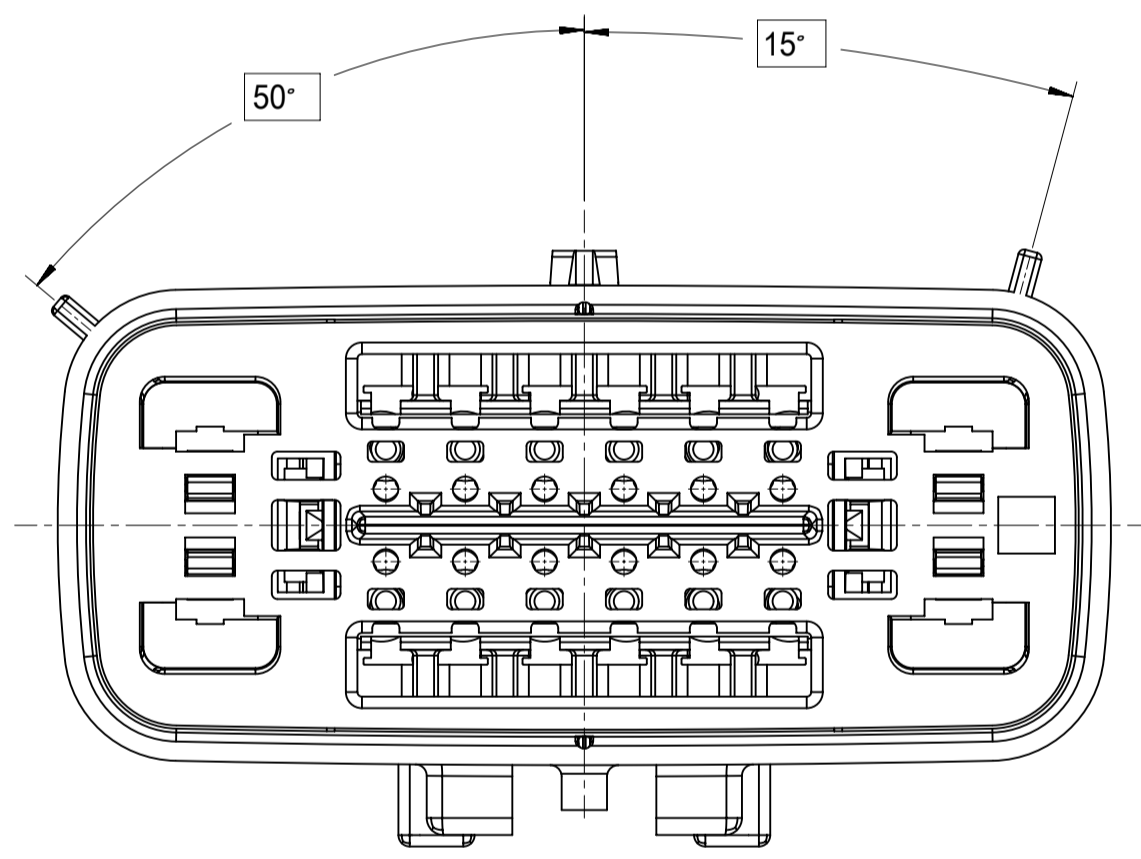
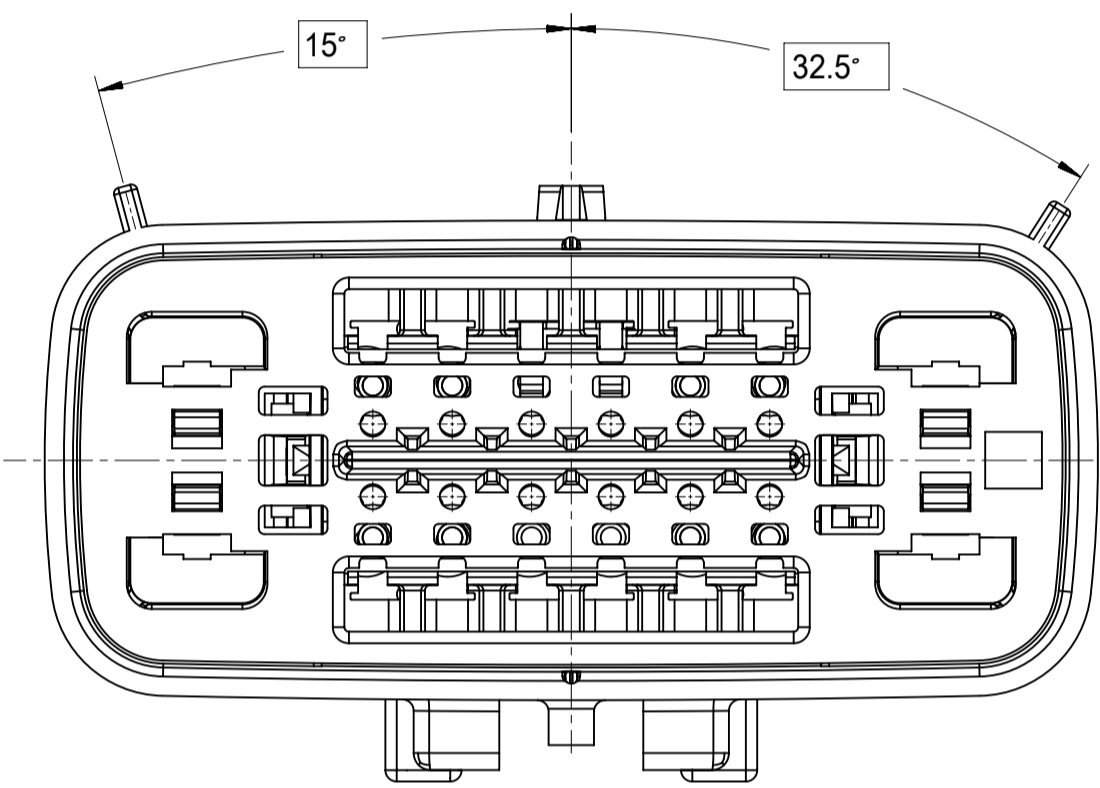
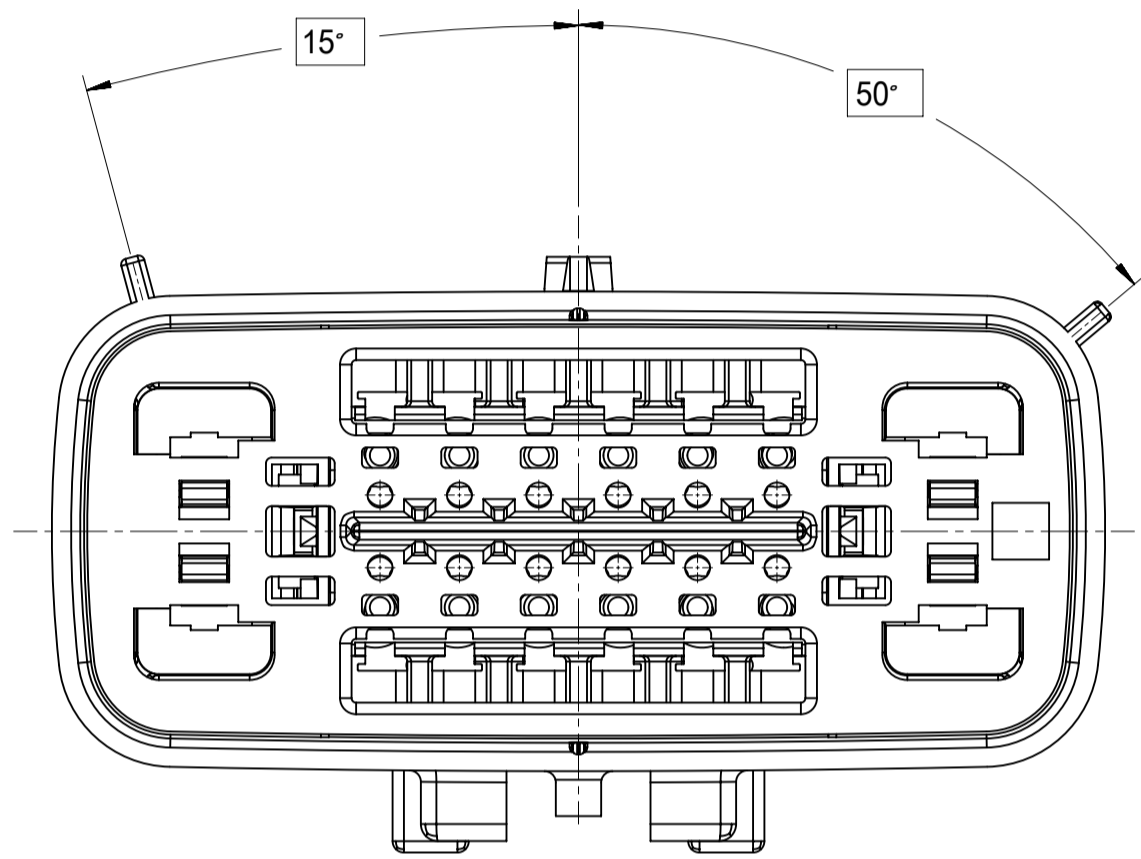
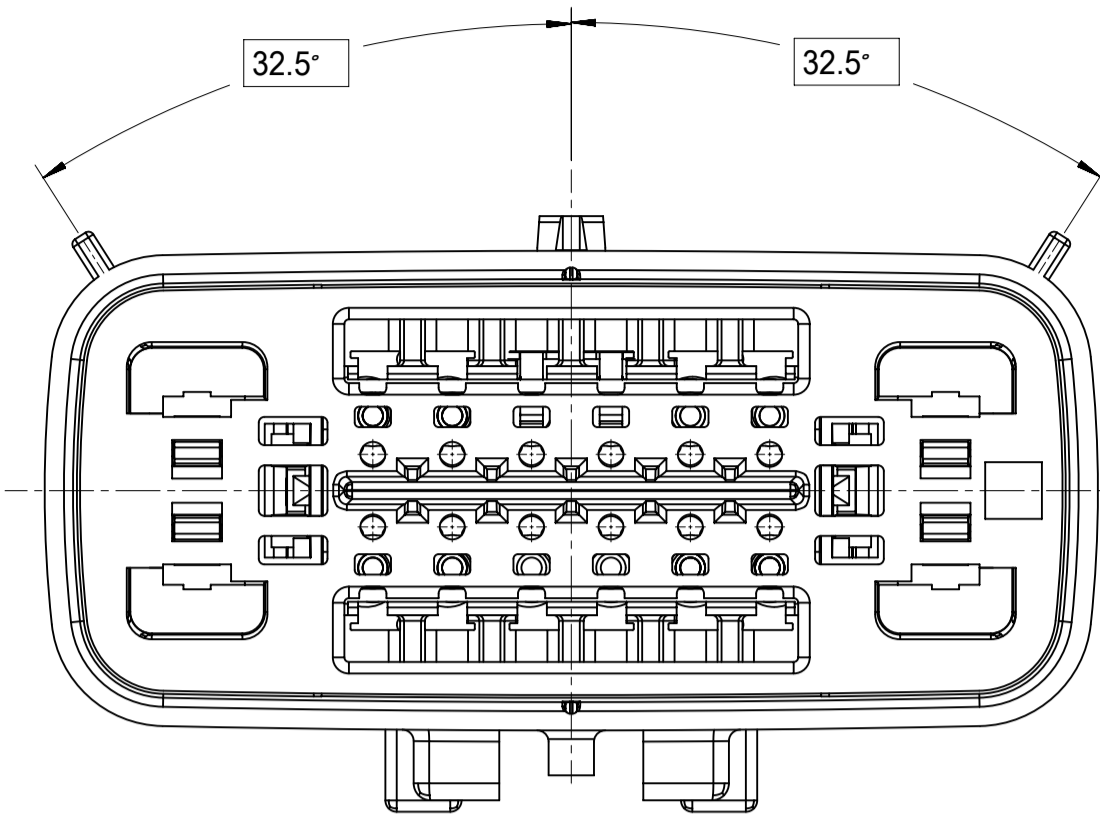
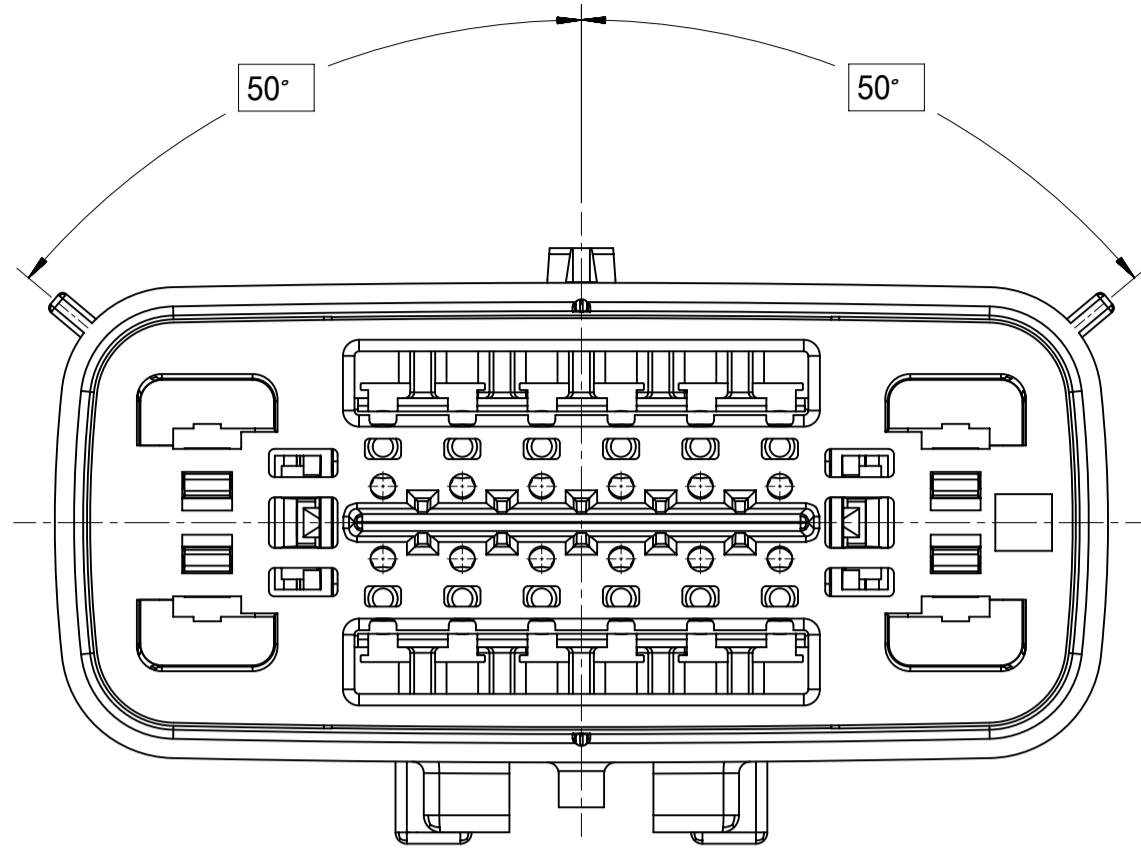


SHORTING BAR GROMMET CAP 5

SYMBOLS	THIS DRAWING CONTAINS INFORMATION THAT IS PROPRIETARY TO MOLEX ELECTRONIC TECHNOLOGIES, LLC AND SHOULD NOT BE USED WITHOUT WRITTEN PERMISSION		CURRENT REV DESC:					
	DIMENSION UNITS	SCALE						EC NO: 177763 DRWN: LSONG05 2018/05/30 CHK'D: MVANSLAMBROU 2018/06/12 APPR: MVANSLAMBROU 2018/06/12
▽ = 0	mm	2.5:1	GENERAL TOLERANCES (UNLESS SPECIFIED)		PRODUCT CUSTOMER DRAWING			
▽ = 0	ANGULAR TOL ± 3.0°		INITIAL REVISION:		DOCUMENT NUMBER	DOC TYPE	DOC PART	REVISION
▽ = 0	4 PLACES ±		DRWN: APROFFITT 2013/05/06		SD-34986-8001	PSD	001	C1
▽ = 0	3 PLACES ±		APPR: VKOSHY 2013/05/16		MATERIAL NUMBER	CUSTOMER	SHEET NUMBER	
▽ = 0	2 PLACES ± 0.1		DRAFT WHERE APPLICABLE MUST REMAIN WITHIN DIMENSIONS		34986	GENERAL MARKET	2 OF 5	
▽ = 0	1 PLACE ± 0.3		THIRD ANGLE PROJECTION		A1-SIZE			
▽ = 0	0 PLACES ±		DRAWING		34986			
▽ = 0	0 PLACES ±		SERIES					

SHEET DESCRIPTION

KEY CONFIGURATIONS



SYMBOLS	THIS DRAWING CONTAINS INFORMATION THAT IS PROPRIETARY TO MOLEX ELECTRONIC TECHNOLOGIES, LLC AND SHOULD NOT BE USED WITHOUT WRITTEN PERMISSION		CURRENT REV DESC:	
	DIMENSION UNITS	SCALE		
▽ = 0	mm	3:1		
▽ = 0	GENERAL TOLERANCES (UNLESS SPECIFIED)			
▽ = 0	ANGULAR TOL ± 3.0°			
▽ = 0	4 PLACES	±	EC NO: 177763	
▽ = 0	3 PLACES	±	DRWN: LSONG05 2018/05/30	
▽ = 0	2 PLACES	± 0.1	CHK'D: MVANSLAMBROU 2018/06/12	
▽ = 0	1 PLACE	± 0.3	APPR: MVANSLAMBROU 2018/06/12	
▽ = 0	0 PLACES	±	INITIAL REVISION:	
⊠ = 0	DRAFT WHERE APPLICABLE MUST REMAIN WITHIN DIMENSIONS		THIRD ANGLE PROJECTION	
■ = 0			DRAWING	SERIES
▽ = 0			A1-SIZE	34986
DOCUMENT STATUS			CUSTOMER	
P1	RELEASE DATE	2018/06/12 12:37:30	GENERAL MARKET	
DOCUMENT NUMBER			DOC TYPE	DOC PART
SD-34986-8001			PSD	001
SHEET NUMBER			REVISION	
3 OF 5			C1	

molex

MX150 16 WAY HYBRID
BLADE SEALED ASSEMBLY

PRODUCT CUSTOMER DRAWING

SD-34986-8001

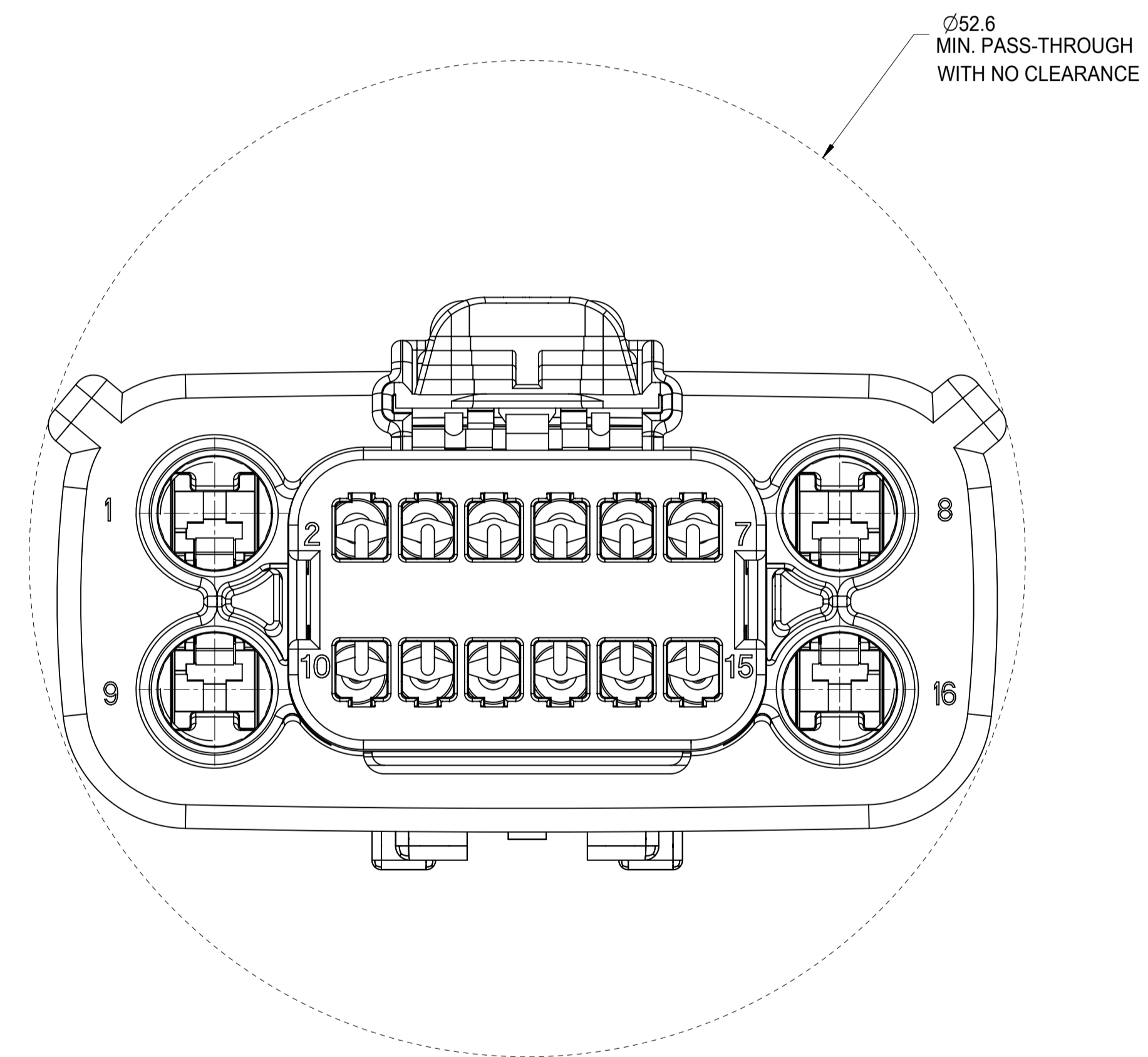
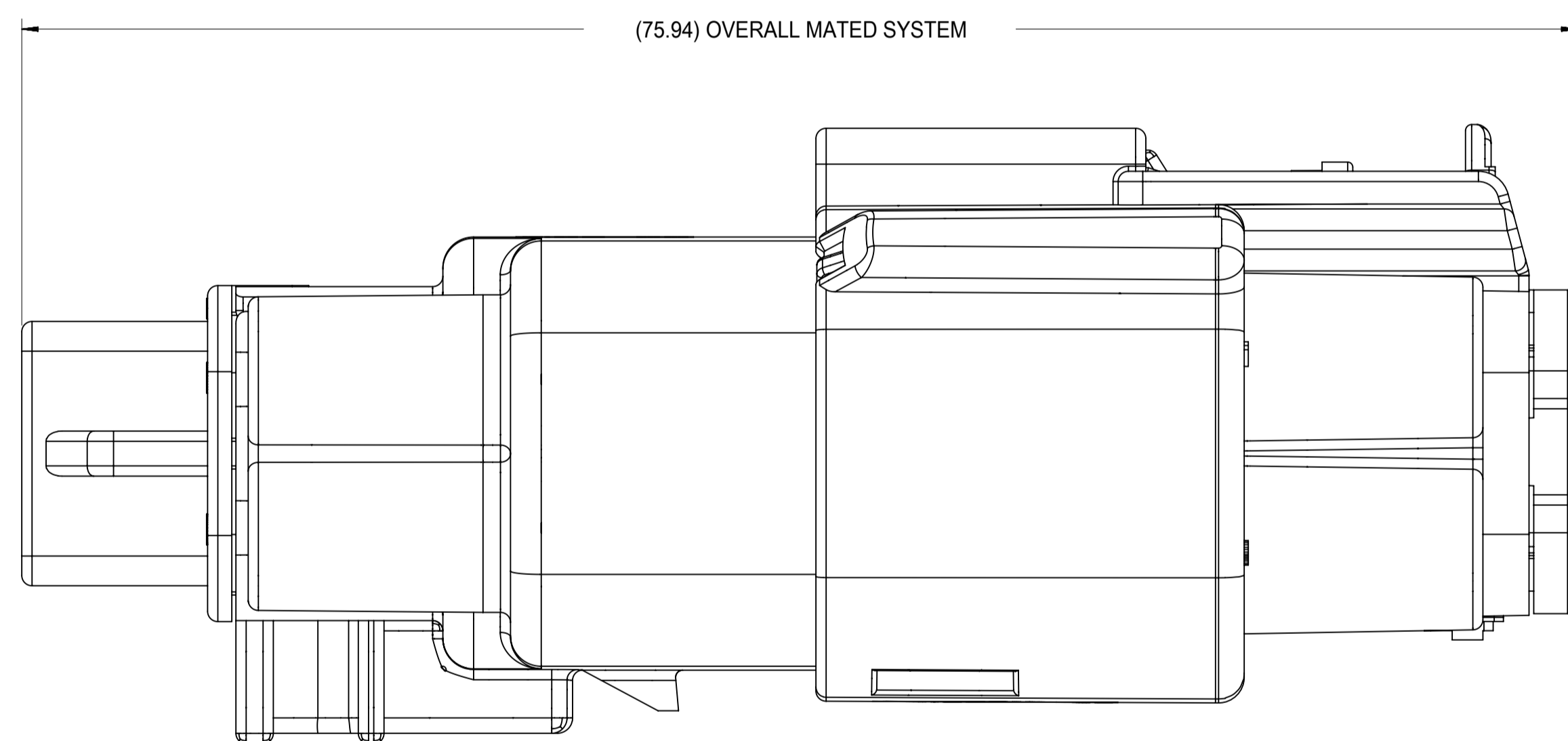
PSD 001 C1

A1-SIZE 34986

GENERAL MARKET 3 OF 5

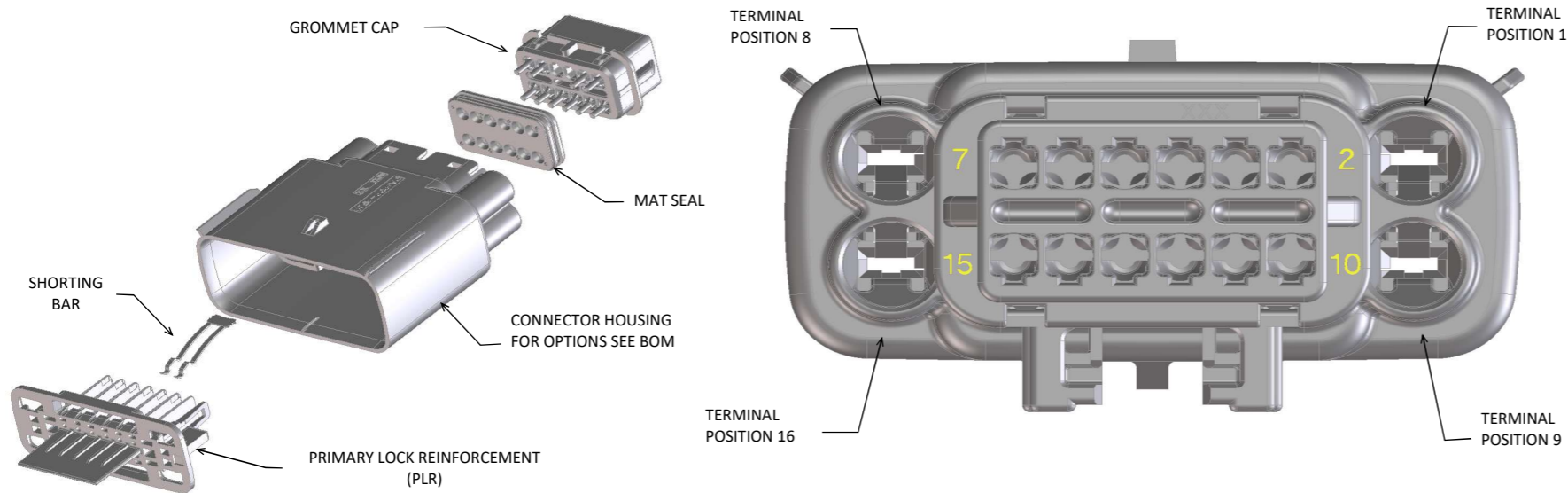
SHEET DESCRIPTION

SYSTEM PACKAGING



SYMBOLS		THIS DRAWING CONTAINS INFORMATION THAT IS PROPRIETARY TO MOLEX ELECTRONIC TECHNOLOGIES, LLC AND SHOULD NOT BE USED WITHOUT WRITTEN PERMISSION		CURRENT REV DESC:		molex	
▽ = 0	DIMENSION UNITS	mm	SCALE	3:1		MX150 16 WAY HYBRID BLADE SEALED ASSEMBLY	
▽ = 0	GENERAL TOLERANCES (UNLESS SPECIFIED)		EC NO: 177763		PRODUCT CUSTOMER DRAWING		
▽ = 0	ANGULAR TOL ± 3.0°		DRWN: LSONG05 2018/05/30		DOCUMENT NUMBER		DOC TYPE DOC PART REVISION
▽ = 0	4 PLACES ±	CHK'D: MVANSLAMBROU 2018/06/12		SD-34986-8001		PSD	001
▽ = 0	3 PLACES ±	APPR: MVANSLAMBROU 2018/06/12		INITIAL REVISION:		C1	
▽ = 0	2 PLACES ± 0.1	DRWN: APROFFITT 2013/05/06		DRWN: APROFFITT 2013/05/06		MATERIAL NUMBER	
▽ = 0	1 PLACE ± 0.3	APPR: VKOSHY 2013/05/16		APPR: VKOSHY 2013/05/16		CUSTOMER	
☒ = 0	0 PLACES ±	DRAFT WHERE APPLICABLE MUST REMAIN WITHIN DIMENSIONS		THIRD ANGLE PROJECTION		GENERAL MARKET	
■ = 0	DRAWING		SERIES		SHEET NUMBER		
▽ = 0	A1-SIZE		34986		5 OF 5		

MX150 16 WAY HYBRID BLADE SEALED ASSEMBLY MAT SEAL (2.8mm CAVITIES OPEN)
BOM AND PIN OUT SHEET



ABBREVIATION	DESCRIPTION	COLOR	MATERIAL
A-BLK	HOUSING, KEYING OPTION A	BLACK	SPS/NYLON GF20
B-LG	HOUSING, KEYING OPTION B	LIGHT GRAY	SPS/NYLON GF20
C-BR	HOUSING, KEYING OPTION C	BROWN	SPS/NYLON GF20
D-GR	HOUSING, KEYING OPTION D	GREEN	SPS/NYLON GF20
A-YW	HOUSING, KEYING OPTION A	YELLOW	SPS/NYLON GF20
C-DG	HOUSING, KEYING OPTION C	DARK GRAY	SPS/NYLON GF20
D-SG	HOUSING, KEYING OPTION D	STONE GRAY	SPS/NYLON GF20
E-BLK	HOUSING, KEYING OPTION E	BLACK	SPS/NYLON GF20
F-LG	HOUSING, KEYING OPTION F*	LIGHT GRAY	SPS/NYLON GF20
G-BR	HOUSING, KEYING OPTION G	BROWN	SPS/NYLON GF20
H-YW	HOUSING, KEYING OPTION H	YELLOW	SPS/NYLON GF20
GC-S	STANDARD GROMMET CAP	BLACK	SPS/NYLON GF20
GC-SB1	SHORTING BAR GROMMET CAP 1	BLACK	SPS/NYLON GF20
GC-SB2	SHORTING BAR GROMMET CAP 2	BLACK	SPS/NYLON GF20
GC-SB3	SHORTING BAR GROMMET CAP 3	BLACK	SPS/NYLON GF20
GC-SB4	SHORTING BAR GROMMET CAP 4	BLACK	SPS/NYLON GF20
GC-SB5	SHORTING BAR GROMMET CAP 5	BLACK	SPS/NYLON GF20
GC-SB6	SHORTING BAR GROMMET CAP 6	BLACK	SPS/NYLON GF20
SB	SHORTING BAR	GOLD PL	30100 STAINLESS STEEL
PLR	PLR	NATURAL	SPS/NYLON GF20
M	MAT SEAL	RUST RED	INHERENTLY LUBRICATED SILICONE

CLIPSLOT TYPE "A" STANDARD FOR ALL KEYING OPTIONS
*CLIPSLOT TYPE "B" OPTIONAL

FOR ADDITIONAL INFORMATION SEE SD-34986-8001

ASSEMBLY DESCRIPTION	ASSEMBLY PART NUMBER	COMPONENT					BLOCKED TERMINALS																STATUS	COMMENTS	OPTIONAL ATTACHMENTS SOLD SEPERATELY					
		THE PRESENCE OF AN ABBREVIATION INDICATES THE PRESENCE OF THAT COMPONENT.					CAVITY WITH A NUMBER INDICATES BLOCKED TERMINAL POSITION CAVITY WITHOUT A NUMBER INDICATES OPEN TERMINAL POSITION																		BACKSHELL WITH RIBS	BACKSHELL WITHOUT RIBS				
		HOUSING KEY/COLOR	GROMMET CAP	PLR	MAT SEAL	SB QTY	1	2	3	4	5	6	7	8	9	10	11	12	13	14	15	16								
KEY A, BLACK	34986-1601	A-BLK	GC-S	PLR	M																						SALEABLE		349531610	NOT AVAILABLE
KEY B, LIGHT GRAY	34986-1602	B-LG	GC-S	PLR	M																						SALEABLE		349531610	NOT AVAILABLE
KEY C, BROWN	34986-1603	C-BR	GC-S	PLR	M																						NOT RECOMMENDED	SEE 34986-1959	349531610	NOT AVAILABLE
KEY D, GREEN	34986-1604	D-GR	GC-S	PLR	M																						NOT RECOMMENDED	SEE 34986-1960	349531610	NOT AVAILABLE
KEY A, YELLOW	34986-1605	A-YW	GC-S	PLR	M																						SALEABLE		349531610	NOT AVAILABLE
KEY A, BLACK	34986-1606	A-BLK	GC-S	PLR	M																						SALEABLE		349531610	NOT AVAILABLE
KEY B, LIGHT GRAY	34986-1607	B-LG	GC-S	PLR	M																						SALEABLE		349531610	NOT AVAILABLE
KEY C, BROWN	34986-1608	C-BR	GC-S	PLR	M																						NOT RECOMMENDED		349531610	NOT AVAILABLE
KEY D, GREEN	34986-1609	D-GR	GC-S	PLR	M																						NOT RECOMMENDED		349531610	NOT AVAILABLE
KEY A, YELLOW	34986-1610	A-YW	GC-S	PLR	M																				14		SALEABLE		349531610	NOT AVAILABLE
KEY A, BLACK	34986-1611	A-BLK	GC-S	PLR	M																						SALEABLE		349531610	NOT AVAILABLE
KEY B, LIGHT GRAY	34986-1612	B-LG	GC-S	PLR	M																						SALEABLE		349531610	NOT AVAILABLE
KEY C, BROWN	34986-1613	C-BR	GC-S	PLR	M																						NOT RECOMMENDED		349531610	NOT AVAILABLE
KEY D, GREEN	34986-1614	D-GR	GC-S	PLR	M																						NOT RECOMMENDED		349531610	NOT AVAILABLE
KEY A, YELLOW	34986-1615	A-YW	GC-S	PLR	M																						SALEABLE		349531610	NOT AVAILABLE
KEY A, BLACK	34986-1621	A-BLK	GC-S	PLR	M																						SALEABLE		349531610	NOT AVAILABLE
KEY A, BLACK	34986-1626	A-BLK	GC-S	PLR	M																						SALEABLE		349531610	NOT AVAILABLE
KEY A, BLACK	34986-1631	A-BLK	GC-S	PLR	M																						SALEABLE		349531610	NOT AVAILABLE
KEY A, BLACK	34986-1636	A-BLK	GC-S	PLR	M																						SALEABLE		349531610	NOT AVAILABLE
KEY A, BLACK	34986-1641	A-BLK	GC-S	PLR	M																						SALEABLE		349531610	NOT AVAILABLE
KEY A, BLACK	34986-1646	A-BLK	GC-S	PLR	M																						SALEABLE		349531610	NOT AVAILABLE
KEY A, BLACK	34986-1651	A-BLK	GC-S	PLR	M																						SALEABLE		349531610	NOT AVAILABLE
KEY A, BLACK	34986-1656	A-BLK	GC-S	PLR	M																						SALEABLE		349531610	NOT AVAILABLE
KEY A, BLACK	34986-1661	A-BLK	GC-S	PLR	M																						SALEABLE		349531610	NOT AVAILABLE
KEY A, BLACK	34986-1666	A-BLK	GC-S	PLR	M																						SALEABLE		349531610	NOT AVAILABLE
KEY A, BLACK	34986-1671	A-BLK	GC-S	PLR	M																						SALEABLE		349531610	NOT AVAILABLE
KEY A, BLACK	34986-1672	A-BLK	GC-S	PLR	M																						SALEABLE		349531610	NOT AVAILABLE
KEY E, BLACK, WITH S.B.	34986-1701	E-BLK	GC-SB1	PLR	M	2																					SALEABLE		349531610	NOT AVAILABLE
KEY F, LIGHT GRAY, WITH S.B.	34986-1702	F-LG	GC-SB1	PLR	M	2																					SALEABLE		349531610	NOT AVAILABLE
KEY G, BROWN, WITH S.B.	34986-1703	G-BR	GC-SB1	PLR	M	2																					SALEABLE		349531610	NOT AVAILABLE
KEY H, YELLOW, WITH S.B.	34986-1704	H-YW	GC-SB1	PLR	M	2																					SALEABLE		349531610	NOT AVAILABLE
KEY H, YELLOW, WITH S.B.	34986-1708	H-YW	GC-SB1	PLR	M	2																					SALEABLE		349531610	NOT AVAILABLE
KEY H, YELLOW, WITH S.B.	34986-1710	H-YW	GC-SB1	PLR	M	2																					SALEABLE		349531610	NOT AVAILABLE
KEY H, YELLOW, WITH S.B.	34986-1712	H-YW	GC-SB1	PLR	M	2																					SALEABLE		349531610	NOT AVAILABLE
KEY E, BLACK, WITH S.B.	34986-1714	E-BLK	GC-SB2	PLR	M	1																					SALEABLE		349531610	NOT AVAILABLE
KEY B, LIGHT GRAY	34986-1715	B-LG	GC-S	PLR	M																						SALEABLE		349531610	NOT AVAILABLE
KEY A, BLACK	34986-1716	A-BLK	GC-S	PLR	M																						SALEABLE		349531610	NOT AVAILABLE
KEY A, BLACK	34986-1717	A-BLK	GC-S	PLR	M																						SALEABLE		349531610	NOT AVAILABLE
KEY A, BLACK	34986-1718	A-BLK	GC-S	PLR	M																						SALEABLE		349531610	NOT AVAILABLE
KEY A, BLACK	34986-1719	A-BLK	GC-S	PLR	M																						SALEABLE		349531610	NOT AVAILABLE
KEY A, BLACK	34986-1720	A-BLK	GC-S	PLR	M																						SALEABLE		349531610	NOT AVAILABLE
KEY F, LIGHT GRAY, WITH S.B.	34986-1721	F-LG	GC-SB2	PLR	M	1																					SALEABLE		349531610	NOT AVAILABLE
KEY F, LIGHT GRAY, WITH S.B.	34986-1722	F-LG	GC-SB2	PLR	M	1																					SALEABLE		349531610	NOT AVAILABLE
KEY F, LIGHT GRAY, WITH S.B.	34986-1723	F-LG	GC-SB2	PLR	M	1																					SALEABLE		349531610	NOT AVAILABLE
KEY F, LIGHT GRAY, WITH S.B.	34986-1724	F-LG	GC-SB2	PLR	M	1																					SALEABLE		349531610	NOT AVAILABLE
KEY F, LIGHT GRAY, WITH S.B.	34986-1725	F-LG	GC-SB2	PLR	M	1																					SALEABLE		349531610	NOT AVAILABLE
KEY F, LIGHT GRAY, WITH S.B.	34986-1726	F-LG	GC-SB2	PLR	M	1																					SALEABLE		349531610	NOT AVAILABLE
KEY F, LIGHT GRAY, WITH S.B.	34986-1727	F-LG	GC-SB2	PLR	M	1																					SALEABLE		349531610	NOT AVAILABLE
KEY F, LIGHT GRAY, WITH S.B.	34986-1728	F-LG	GC-SB2	PLR	M	1																					SALEABLE		349531610	NOT AVAILABLE
KEY F, LIGHT GRAY	34986-1729	F-LG	GC-S	PLR	M																						SALEABLE		349531610	NOT AVAILABLE
KEY F, LIGHT GRAY, WITH S.B.	34986-1731	F-LG	GC-SB2	PLR	M	1																					SALEABLE		349531610	NOT AVAILABLE
KEY A, BLACK	34986-1732	A-BLK	GC-S	PLR	M																						SALEABLE		349531610	NOT AVAILABLE
KEY E, BLACK, WITH S.B.	34986-1733	E-BLK	GC-SB3	PLR	M	4																					SALEABLE		349531610	NOT AVAILABLE
KEY E, BLACK, WITH S.B.	34986-1734	E-BLK	GC-SB4	PLR	M	3																					SALEABLE		349531610	NOT AVAILABLE
KEY E, BLACK, WITH S.B.	34986-1739	E-BLK	GC-SB1	PLR	M	2																					SALEABLE		349531610	NOT AVAILABLE
KEY E, BLACK, WITH S.B.	34986-1740	E-BLK	GC-SB1	PLR	M	2																					SALEABLE		349531610	NOT AVAILABLE
KEY E, BLACK, WITH S.B.	34986-1741	E-BLK	GC-SB1	PLR	M	2																					SALEABLE		349531610	NOT AVAILABLE
KEY E, BLACK, WITH S.B.	34986-1742	E-BLK	GC-SB1	PLR	M	2																					SALEABLE		349531610	NOT AVAILABLE

MX150 16 WAY HYBRID BLADE SEALED ASSEMBLY MAT SEAL (2.8mm CAVITIES OPEN)
BOM AND PIN OUT SHEET

ASSEMBLY DESCRIPTION	ASSEMBLY PART NUMBER	COMPONENT					BLOCKED TERMINALS																STATUS	COMMENTS	OPTIONAL ATTACHMENTS SOLD SEPARATELY			
		THE PRESENCE OF AN ABBREVIATION INDICATES THE PRESENCE OF THAT COMPONENT.					CAVITY WITH A NUMBER INDICATES BLOCKED TERMINAL POSITION CAVITY WITHOUT A NUMBER INDICATES OPEN TERMINAL POSITION																		BACKSHELL WITH RIBS	BACKSHELL WITHOUT RIBS		
		HOUSING KEY/COLOR	GROMMET CAP	PLR	MAT SEAL	SB QTY	1	2	3	4	5	6	7	8	9	10	11	12	13	14	15	16						
KEY B, LIGHT GRAY	34986-1834	B-LG	GC-5	PLR	M				3	4	5														SALEABLE		349531610	NOT AVAILABLE
KEY B, LIGHT GRAY	34986-1835	B-LG	GC-5	PLR	M				3	4	5				10	11	12	13	14	15					SALEABLE		349531610	NOT AVAILABLE
KEY B, LIGHT GRAY	34986-1836	B-LG	GC-5	PLR	M						5														SALEABLE		349531610	NOT AVAILABLE
KEY A, BLACK	34986-1837	A-BLK	GC-5	PLR	M				3						10	11									SALEABLE		349531610	NOT AVAILABLE
KEY E, BLACK	34986-1838	E-BLK	GC-5	PLR	M										10	11				14					SALEABLE		349531610	NOT AVAILABLE
KEY E, BLACK	34986-1839	E-BLK	GC-5	PLR	M										10	11				14					SALEABLE		349531610	NOT AVAILABLE
KEY H, YELLOW, WITH S.B.	34986-1840	H-YW	GC-SB5	PLR	M	5		SB	SB	SB	SB	SB	SB	SB	SB	SB	SB	SB	SB	SB					SALEABLE		349531610	NOT AVAILABLE
KEY A, BLACK	34986-1841	A-BLK	GC-5	PLR	M															14					SALEABLE		349531610	NOT AVAILABLE
KEY A, BLACK	34986-1842	A-BLK	GC-5	PLR	M																				SALEABLE		349531610	NOT AVAILABLE
KEY A, BLACK	34986-1843	A-BLK	GC-5	PLR	M						5				10										SALEABLE		349531610	NOT AVAILABLE
KEY A, BLACK	34986-1844	A-BLK	GC-5	PLR	M			2			4														SALEABLE		349531610	NOT AVAILABLE
KEY A, BLACK	34986-1845	A-BLK	GC-5	PLR	M																				SALEABLE		349531610	NOT AVAILABLE
KEY A, BLACK	34986-1846	A-BLK	GC-5	PLR	M			2	3	4	5	6	7			11	12	13	14	15					SALEABLE		349531610	NOT AVAILABLE
KEY A, BLACK	34986-1847	A-BLK	GC-5	PLR	M			2	3	4	5														SALEABLE		349531610	NOT AVAILABLE
KEY A, BLACK	34986-1848	A-BLK	GC-5	PLR	M			2	3	4	5					11	12	13	14	15					SALEABLE		349531610	NOT AVAILABLE
KEY A, BLACK	34986-1849	A-BLK	GC-5	PLR	M						5	6	7												SALEABLE		349531610	NOT AVAILABLE
KEY A, BLACK	34986-1850	A-BLK	GC-5	PLR	M			2				5	6	7											SALEABLE		349531610	NOT AVAILABLE
KEY A, BLACK	34986-1851	A-BLK	GC-5	PLR	M			2							10										SALEABLE		349531610	NOT AVAILABLE
KEY A, BLACK	34986-1852	A-BLK	GC-5	PLR	M			2	3	4					10	11	12	13	14	15					SALEABLE		349531610	NOT AVAILABLE
KEY A, BLACK	34986-1853	A-BLK	GC-5	PLR	M				3	4	5	6	7			11	12	13	14	15					SALEABLE		349531610	NOT AVAILABLE
KEY A, BLACK	34986-1854	A-BLK	GC-5	PLR	M			2		4	5				10										SALEABLE		349531610	NOT AVAILABLE
KEY A, BLACK	34986-1855	A-BLK	GC-5	PLR	M			2	3						10										SALEABLE		349531610	NOT AVAILABLE
KEY A, BLACK	34986-1856	A-BLK	GC-5	PLR	M			2							10	11									SALEABLE		349531610	NOT AVAILABLE
KEY A, BLACK	34986-1857	A-BLK	GC-5	PLR	M																				SALEABLE		349531610	NOT AVAILABLE
KEY A, BLACK	34986-1858	A-BLK	GC-5	PLR	M																				SALEABLE		349531610	NOT AVAILABLE
KEY A, BLACK	34986-1859	A-BLK	GC-5	PLR	M																				SALEABLE		349531610	NOT AVAILABLE
KEY A, BLACK	34986-1860	A-BLK	GC-5	PLR	M				3						10										SALEABLE		349531610	NOT AVAILABLE
KEY A, BLACK	34986-1861	A-BLK	GC-5	PLR	M			2	3	4	5	6	7												SALEABLE		349531610	NOT AVAILABLE
KEY A, BLACK	34986-1862	A-BLK	GC-5	PLR	M			2		4															SALEABLE		349531610	NOT AVAILABLE
KEY A, BLACK	34986-1863	A-BLK	GC-5	PLR	M			2																	SALEABLE		349531610	NOT AVAILABLE
KEY A, BLACK	34986-1864	A-BLK	GC-5	PLR	M					3	4				10	11									SALEABLE		349531610	NOT AVAILABLE
KEY A, BLACK	34986-1865	A-BLK	GC-5	PLR	M				3	4					10	11	12	13	14	15					SALEABLE		349531610	NOT AVAILABLE
KEY A, BLACK	34986-1866	A-BLK	GC-5	PLR	M				3	4					10	11									SALEABLE		349531610	NOT AVAILABLE
KEY A, BLACK	34986-1867	A-BLK	GC-5	PLR	M							6	7												SALEABLE		349531610	NOT AVAILABLE
KEY A, BLACK	34986-1868	A-BLK	GC-5	PLR	M					3															SALEABLE		349531610	NOT AVAILABLE
KEY A, BLACK	34986-1869	A-BLK	GC-5	PLR	M																				SALEABLE		349531610	NOT AVAILABLE
KEY A, BLACK	34986-1870	A-BLK	GC-5	PLR	M			2																	SALEABLE		349531610	NOT AVAILABLE
KEY E, BLACK, WITH S.B.	34986-1871	E-BLK	GC-SB1	PLR	M	2		2	3	SB	SB	6	7												SALEABLE		349531610	NOT AVAILABLE
KEY A, BLACK	34986-1872	A-BLK	GC-5	PLR	M					3					10	11	12	13	14	15					SALEABLE		349531610	NOT AVAILABLE
KEY H, YELLOW, WITH S.B.	34986-1873	H-YW	GC-SB2	PLR	M	1		2	3	SB	SB	6	7												SALEABLE		349531610	NOT AVAILABLE
KEY H, YELLOW, WITH S.B.	34986-1874	H-YW	GC-SB2	PLR	M	1		2	3	SB	SB	6	7												SALEABLE		349531610	NOT AVAILABLE
KEY H, YELLOW, WITH S.B.	34986-1875	H-YW	GC-SB2	PLR	M	1		2	3	SB	SB	6	7												SALEABLE		349531610	NOT AVAILABLE
KEY H, YELLOW, WITH S.B.	34986-1876	H-YW	GC-SB2	PLR	M	1		2	3	SB	SB	6	7												SALEABLE		349531610	NOT AVAILABLE
KEY H, YELLOW, WITH S.B.	34986-1877	H-YW	GC-SB2	PLR	M	1		2	3	SB	SB	6	7												SALEABLE		349531610	NOT AVAILABLE
KEY H, YELLOW, WITH S.B.	34986-1878	H-YW	GC-SB2	PLR	M	1		2	3	SB	SB	6	7												SALEABLE		349531610	NOT AVAILABLE
KEY H, YELLOW, WITH S.B.	34986-1879	H-YW	GC-SB2	PLR	M	1				SB	SB				10	11	12	13							SALEABLE		349531610	NOT AVAILABLE
KEY H, YELLOW, WITH S.B.	34986-1880	H-YW	GC-SB2	PLR	M	1				SB	SB				10	11	12	13	14	15					SALEABLE		349531610	NOT AVAILABLE
KEY H, YELLOW, WITH S.B.	34986-1881	H-YW	GC-SB2	PLR	M	1				SB	SB														SALEABLE		349531610	NOT AVAILABLE
KEY B, LIGHT GRAY	34986-1882	B-LG	GC-5	PLR	M										10	11	12	13	14	15					SALEABLE		349531610	NOT AVAILABLE
KEY A, BLACK	34986-1883	A-BLK	GC-5	PLR	M			2							10	11	12	13							SALEABLE		349531610	NOT AVAILABLE
KEY H, YELLOW, WITH S.B.	34986-1884	H-YW	GC-SB2	PLR	M	1				SB	SB														SALEABLE		349531610	NOT AVAILABLE
KEY H, YELLOW, WITH S.B.	34986-1885	H-YW	GC-SB2	PLR	M	1				SB	SB	6	7												SALEABLE		349531610	NOT AVAILABLE
KEY A, BLACK	34986-1886	A-BLK	GC-5	PLR	M			2	3	4															SALEABLE		349531610	NOT AVAILABLE
KEY A, BLACK	34986-1887	A-BLK	GC-5	PLR	M										10	11									SALEABLE		349531610	NOT AVAILABLE
KEY A, BLACK	34986-1888	A-BLK	GC-5	PLR	M										10	11	12	13	14	15					SALEABLE		349531610	NOT AVAILABLE
KEY A, BLACK	34986-1889	A-BLK	GC-5	PLR	M										10	11	12	13	14	15					SALEABLE		349531610	NOT AVAILABLE
KEY A, BLACK	34986-1890	A-BLK	GC-5	PLR	M			2							10	11	12	13							SALEABLE		349531610	NOT AVAILABLE
KEY A, BLACK	34986-1891	A-BLK	GC-5	PLR	M			2							10	11	12								SALEABLE		349531610	NOT AVAILABLE
KEY A, BLACK	34986-1892	A-BLK	GC-5	PLR	M					3															SALEABLE		349531610	NOT AVAILABLE
KEY A, BLACK	34986-1893	A-BLK	GC-5	PLR	M			2							10	11	12	13	14	15					SALEABLE		349531610	NOT AVAILABLE
KEY A, BLACK	34986-1894	A-BLK	GC-5	PLR	M			2							10	11	12	13	14	15					SALEABLE		349531610	NOT AVAILABLE
KEY A, BLACK	34986-1895	A-BLK	GC-5	PLR	M			2	3	4	5	6	7												SALEABLE		349531610	NOT AVAILABLE
KEY A, BLACK	34986-1900	A-BLK	GC-5	PLR	M			2	3																SALEABLE		349531610	NOT AVAILABLE
KEY A, BLACK	34986-1901	A-BLK	GC-5	PLR	M					3															SALEABLE		349531610	NOT AVAILABLE
KEY A, BLACK	34986-1902	A-BLK	GC-5	PLR	M						4														SALEABLE		349531610	NOT AVAILABLE
KEY A, BLACK	34986-1903	A-BLK	GC-5	PLR	M			2																	SALEABLE		349531610	NOT AVAILABLE
KEY A, BLACK	34986-1904	A-BLK	GC-5	PLR	M						4														SALEABLE		349531610	NOT AVAILABLE
KEY A, BLACK	34986-1905	A-BLK	GC-5	PLR																								

MX150 16 WAY HYBRID BLADE SEALED ASSEMBLY MAT SEAL (2.8mm CAVITIES OPEN)
BOM AND PIN OUT SHEET

ASSEMBLY DESCRIPTION	ASSEMBLY PART NUMBER	COMPONENT					BLOCKED TERMINALS																STATUS	COMMENTS	OPTIONAL ATTACHMENTS SOLD SEPARATELY	
		THE PRESENCE OF AN ABBREVIATION INDICATES THE PRESENCE OF THAT COMPONENT.					CAVITY WITH A NUMBER INDICATES BLOCKED TERMINAL POSITION CAVITY WITHOUT A NUMBER INDICATES OPEN TERMINAL POSITION																		BACKSHELL WITH RIBS	BACKSHELL WITHOUT RIBS
		HOUSING KEY/COLOR	GROMMET CAP	PLR	MAT SEAL	SB QTY	1	2	3	4	5	6	7	8	9	10	11	12	13	14	15	16				
KEY B, LIGHT GRAY	34986-1928	B-LG	GC-5	PLR	M			2	3	4	5	6	7			10	11	12	13	14	15	SALEABLE		349531610	NOT AVAILABLE	
KEY B, LIGHT GRAY	34986-1929	B-LG	GC-5	PLR	M							6	7									15	SALEABLE		349531610	NOT AVAILABLE
KEY A, BLACK	34986-1930	A-BLK	GC-5	PLR	M			2			5	6				10	11	12	13			SALEABLE		349531610	NOT AVAILABLE	
KEY A, BLACK	34986-1931	A-BLK	GC-5	PLR	M			2		4	5					10		12	13			SALEABLE		349531610	NOT AVAILABLE	
KEY A, BLACK	34986-1932	A-BLK	GC-5	PLR	M			2		4								12	13			SALEABLE		349531610	NOT AVAILABLE	
KEY A, BLACK	34986-1933	A-BLK	GC-5	PLR	M			2				6						12	13	14	15	SALEABLE		349531610	NOT AVAILABLE	
KEY A, BLACK	34986-1934	A-BLK	GC-5	PLR	M						5	6	7			10	11	12	13	14	15	SALEABLE		349531610	NOT AVAILABLE	
KEY A, BLACK	34986-1935	A-BLK	GC-5	PLR	M				3	4		6				10	11	12	13	14	15	SALEABLE		349531610	NOT AVAILABLE	
KEY A, BLACK	34986-1936	A-BLK	GC-5	PLR	M			2			5						11		13		15	SALEABLE		349531610	NOT AVAILABLE	
KEY A, BLACK	34986-1937	A-BLK	GC-5	PLR	M			2			5				10	11		13			15	SALEABLE		349531610	NOT AVAILABLE	
KEY A, BLACK	34986-1938	A-BLK	GC-5	PLR	M			2				6				10	11	12	13	14	15	SALEABLE		349531610	NOT AVAILABLE	
KEY A, BLACK	34986-1939	A-BLK	GC-5	PLR	M						5							12			15	SALEABLE		349531610	NOT AVAILABLE	
KEY A, BLACK	34986-1940	A-BLK	GC-5	PLR	M				3	4				7		10	11	12		14	15	SALEABLE		349531610	NOT AVAILABLE	
KEY A, BLACK	34986-1941	A-BLK	GC-5	PLR	M																15	SALEABLE		349531610	NOT AVAILABLE	
KEY A, BLACK	34986-1942	A-BLK	GC-5	PLR	M			2	3		5			7		10	11	12	13	14	15	SALEABLE		349531610	NOT AVAILABLE	
KEY A, BLACK	34986-1943	A-BLK	GC-5	PLR	M							6	7				11		13			SALEABLE		349531610	NOT AVAILABLE	
KEY B, LIGHT GRAY	34986-1944	B-LG	GC-5	PLR	M					4									13			SALEABLE		349531610	NOT AVAILABLE	
KEY A, BLACK	34986-1945	A-BLK	GC-5	PLR	M				3	4						10	11	12				SALEABLE		349531610	NOT AVAILABLE	
KEY A, BLACK	34986-1946	A-BLK	GC-5	PLR	M							6						11		13		SALEABLE		349531610	NOT AVAILABLE	
KEY A, BLACK	34986-1947	A-BLK	GC-5	PLR	M			2	3			6					11		13			SALEABLE		349531610	NOT AVAILABLE	
KEY A, BLACK	34986-1948	A-BLK	GC-5	PLR	M					4											14	SALEABLE		349531610	NOT AVAILABLE	
KEY B, LIGHT GRAY	34986-1949	B-LG	GC-5	PLR	M					4												SALEABLE		349531610	NOT AVAILABLE	
KEY A, BLACK	34986-1950	A-BLK	GC-5	PLR	M									7		10		13	14	15		SALEABLE		349531610	NOT AVAILABLE	
KEY A, BLACK	34986-1951	A-BLK	GC-5	PLR	M									7				13	14	15		SALEABLE		349531610	NOT AVAILABLE	
KEY A, BLACK	34986-1952	A-BLK	GC-5	PLR	M										10			13	14			SALEABLE		349531610	NOT AVAILABLE	
KEY A, BLACK	34986-1953	A-BLK	GC-5	PLR	M									7		10		13		15		SALEABLE		349531610	NOT AVAILABLE	
KEY H, YELLOW, WITH S.B.	34986-1954	H-YW	GC-SB1	PLR	M	2		2	3	SB	SB							SB	SB		15	SALEABLE		349531610	NOT AVAILABLE	
KEY A, BLACK	34986-1955	A-BLK	GC-5	PLR	M														13			SALEABLE		349531610	NOT AVAILABLE	
KEY A, BLACK	34986-1956	A-BLK	GC-5	PLR	M							6						12	13	14	15	SALEABLE		349531610	NOT AVAILABLE	
KEY A, BLACK	34986-1957	A-BLK	GC-5	PLR	M								7						13		15	SALEABLE		349531610	NOT AVAILABLE	
KEY A, BLACK	34986-1958	A-BLK	GC-5	PLR	M										10			13				SALEABLE		349531610	NOT AVAILABLE	
KEY C, DARK GRAY	34986-1959	C-DG	GC-5	PLR	M																	SALEABLE		349531610	NOT AVAILABLE	
KEY D, STONE GRAY	34986-1960	D-SG	GC-5	PLR	M																	SALEABLE		349531610	NOT AVAILABLE	
KEY A, YELLOW	34986-1961	A-YW	GC-5	PLR	M			2													15	SALEABLE		349531610	NOT AVAILABLE	
KEY F, LIGHT GRAY	34986-1962	F-LG	GC-5	PLR	M					4	5	6	7			10	11	12	13	14	15	SALEABLE		349531610	NOT AVAILABLE	
KEY F, LIGHT GRAY, WITH S.B.	34986-1963	F-LG	GC-SB1	PLR	M	2		2	3	SB	SB	6	7					SB	SB	14	15	SALEABLE		349531610	NOT AVAILABLE	
KEY F, LIGHT GRAY, WITH S.B.	34986-1964	F-LG	GC-SB1	PLR	M	2				SB	SB	6	7					SB	SB	14	15	SALEABLE		349531610	NOT AVAILABLE	
KEY A, BLACK	34986-1965	A-BLK	GC-5	PLR	M				3		5					10	11	12				SALEABLE		349531610	NOT AVAILABLE	
KEY A, BLACK	34986-1966	A-BLK	GC-5	PLR	M			2	3	4	5					10	11	12	13		15	SALEABLE		349531610	NOT AVAILABLE	
KEY A, BLACK	34986-1967	A-BLK	GC-5	PLR	M			2	3			6					11					SALEABLE		349531610	NOT AVAILABLE	
KEY B, LIGHT GRAY	34986-1968	B-LG	GC-5	PLR	M					4		6							13			SALEABLE		349531610	NOT AVAILABLE	
KEY A, BLACK	34986-1969	A-BLK	GC-5	PLR	M			2	3		5	6					11				15	SALEABLE		349531610	NOT AVAILABLE	
KEY A, BLACK	34986-1970	A-BLK	GC-5	PLR	M			2			5	6					11				15	SALEABLE		349531610	NOT AVAILABLE	
KEY A, BLACK	34986-1971	A-BLK	GC-5	PLR	M			2	3	4						10	11	12				SALEABLE		349531610	NOT AVAILABLE	
KEY A, BLACK	34986-1972	A-BLK	GC-5	PLR	M											10					15	SALEABLE		349531610	NOT AVAILABLE	
KEY A, BLACK	34986-1973	A-BLK	GC-5	PLR	M											10	11	12	13	14	15	SALEABLE		349531610	NOT AVAILABLE	
KEY A, BLACK	34986-1974	A-BLK	GC-5	PLR	M			2								10	11	12	13	14	15	SALEABLE		349531610	NOT AVAILABLE	
KEY E, BLACK	34986-1975	E-BLK	GC-5	PLR	M			2	3	4	5	6	7			10	11	12	13	14	15	SALEABLE		349531610	NOT AVAILABLE	
KEY A, BLACK	34986-1976	A-BLK	GC-5	PLR	M			2	3			6	7					10	11	12	13	14	SALEABLE		349531610	NOT AVAILABLE
KEY A, BLACK	34986-1977	A-BLK	GC-5	PLR	M											10	11					SALEABLE		349531610	NOT AVAILABLE	
KEY A, BLACK	34986-1978	A-BLK	GC-5	PLR	M			2										12	13	14		SALEABLE		349531610	NOT AVAILABLE	
KEY A, BLACK	34986-1979	A-BLK	GC-5	PLR	M			2	3		5	6					11	12	13		15	SALEABLE		349531610	NOT AVAILABLE	
KEY A, BLACK	34986-1980	A-BLK	GC-5	PLR	M				3		5	6	7			10	11	12	13	14	15	SALEABLE		349531610	NOT AVAILABLE	
KEY A, BLACK	34986-1981	A-BLK	GC-5	PLR	M			2			5	6						12	13	14		SALEABLE		349531610	NOT AVAILABLE	
KEY A, BLACK	34986-1982	A-BLK	GC-5	PLR	M			2			5	6	7			10	11	12	13	14		SALEABLE		349531610	NOT AVAILABLE	
KEY A, BLACK	34986-1983	A-BLK	GC-5	PLR	M						5	6	7								15	SALEABLE		349531610	NOT AVAILABLE	
KEY A, BLACK	34986-1984	A-BLK	GC-5	PLR	M				3		5	6	7								15	SALEABLE		349531610	NOT AVAILABLE	
KEY A, BLACK	34986-1985	A-BLK	GC-5	PLR	M				3		5	6	7			10	11				15	SALEABLE		349531610	NOT AVAILABLE	
KEY A, BLACK	34986-1986	A-BLK	GC-5	PLR	M						5	6	7			10	11	12	13	14		SALEABLE		349531610	NOT AVAILABLE	
KEY A, BLACK	34986-1987	A-BLK	GC-5	PLR	M						5					10	11	12				SALEABLE		349531610	NOT AVAILABLE	
KEY A, BLACK	34986-1988	A-BLK	GC-5	PLR	M			2		4	5					10	11	12	13	14	15	SALEABLE		349531610	NOT AVAILABLE	
KEY A, BLACK	34986-1989	A-BLK	GC-5	PLR	M			2				6										SALEABLE		349531610	NOT AVAILABLE	
KEY A, BLACK	34986-1990	A-BLK	GC-5	PLR	M						5	6	7			10	11	12	13			SALEABLE		349531610	NOT AVAILABLE	
KEY A, BLACK	34986-1991	A-BLK	GC-5	PLR	M			2	3		5	6	7			10	11	12	13		15	SALEABLE		349531610	NOT AVAILABLE	
KEY A, BLACK	34986-1992	A-BLK	GC-5	PLR	M				3	4	5						11	12		14	15	SALEABLE		349531610	NOT AVAILABLE	
KEY A, BLACK	34986-1993	A-BLK	GC-5	PLR	M			2	3	4	5	6	7			10	11		13	14	15	SALEABLE		349531610	NOT AVAILABLE	
KEY A, BLACK	34986-1994	A-BLK	GC-5	PLR	M			2					7			10	11		13			SALEABLE		349531610	NOT AVAILABLE	
KEY A, BLACK	34986-1995	A-BLK	GC-5	PLR	M			2	3	4	5									14	15	SALEABLE		349531610	NOT AVAILABLE	
KEY A, BLACK	34986-1996	A-BLK	GC-5	PLR	M							6				10	11	12		14	15	SALEABLE		349531610	NOT AVAILABLE	
KEY A, BLACK	34986-1997	A-BLK	GC-5	PLR	M				3		6					10	11	12	13	14	15	SALEABLE		349531610	NOT AVAILABLE	
KEY A, BLACK	34986-1998	A-BLK	GC-5	PLR	M			2	3																	

MX150 16 WAY HYBRID BLADE SEALED ASSEMBLY MAT SEAL (2.8mm CAVITIES OPEN)
BOM AND PIN OUT SHEET

ASSEMBLY DESCRIPTION	ASSEMBLY PART NUMBER	COMPONENT					BLOCKED TERMINALS																STATUS	COMMENTS	OPTIONAL ATTACHMENTS SOLD SEPARATELY					
		THE PRESENCE OF AN ABBREVIATION INDICATES THE PRESENCE OF THAT COMPONENT.					CAVITY WITH A NUMBER INDICATES BLOCKED TERMINAL POSITION CAVITY WITHOUT A NUMBER INDICATES OPEN TERMINAL POSITION																		BACKSHELL WITH RIBS	BACKSHELL WITHOUT RIBS				
		HOUSING KEY/COLOR	GROMMET CAP	PLR	MAT SEAL	SB QTY	1	2	3	4	5	6	7	8	9	10	11	12	13	14	15	16								
KEY A, BLACK	34986-2018	A-BLK	GC-5	PLR	M			2																			SALEABLE		349531610	NOT AVAILABLE
KEY A, BLACK	34986-2019	A-BLK	GC-5	PLR	M																						SALEABLE		349531610	NOT AVAILABLE
KEY A, BLACK	34986-2020	A-BLK	GC-5	PLR	M			2	3	4	5	6	7														SALEABLE		349531610	NOT AVAILABLE
KEY A, BLACK	34986-2021	A-BLK	GC-5	PLR	M			2																			SALEABLE		349531610	NOT AVAILABLE
KEY A, BLACK	34986-2022	A-BLK	GC-5	PLR	M				3	4	5	6	7														SALEABLE		349531610	NOT AVAILABLE
KEY A, BLACK	34986-2023	A-BLK	GC-5	PLR	M																						SALEABLE		349531610	NOT AVAILABLE
KEY A, BLACK	34986-2024	A-BLK	GC-5	PLR	M			2		4																	SALEABLE		349531610	NOT AVAILABLE
KEY A, BLACK	34986-2025	A-BLK	GC-5	PLR	M			2	3	4																	SALEABLE		349531610	NOT AVAILABLE
KEY A, BLACK	34986-2026	A-BLK	GC-5	PLR	M			2	3																		SALEABLE		349531610	NOT AVAILABLE
KEY A, BLACK	34986-2027	A-BLK	GC-5	PLR	M																						SALEABLE		349531610	NOT AVAILABLE
KEY A, BLACK	34986-2028	A-BLK	GC-5	PLR	M			2	3	4																	SALEABLE		349531610	NOT AVAILABLE
KEY A, BLACK	34986-2029	A-BLK	GC-5	PLR	M			2	3																		SALEABLE		349531610	NOT AVAILABLE
KEY B, LIGHT GRAY	34986-2030	B-LG	GC-5	PLR	M			2	3																		SALEABLE		349531610	NOT AVAILABLE
KEY B, LIGHT GRAY	34986-2031	B-LG	GC-5	PLR	M			2	3																		SALEABLE		349531610	NOT AVAILABLE
KEY B, LIGHT GRAY	34986-2032	B-LG	GC-5	PLR	M																						SALEABLE		349531610	NOT AVAILABLE
KEY A, BLACK	34986-2033	A-BLK	GC-5	PLR	M					3																	SALEABLE		349531610	NOT AVAILABLE
KEY A, BLACK	34986-2034	A-BLK	GC-5	PLR	M																						SALEABLE		349531610	NOT AVAILABLE
KEY A, BLACK	34986-2035	A-BLK	GC-5	PLR	M					3																	SALEABLE		349531610	NOT AVAILABLE
KEY A, BLACK	34986-2036	A-BLK	GC-5	PLR	M																						SALEABLE		349531610	NOT AVAILABLE
KEY A, BLACK	34986-2037	A-BLK	GC-5	PLR	M			2																			SALEABLE		349531610	NOT AVAILABLE
KEY F, LIGHT GRAY, WITH S.B.	34986-2038	F-LG	GC-SB1	PLR	M	2																					SALEABLE		349531610	NOT AVAILABLE
KEY A, BLACK	34986-2039	A-BLK	GC-5	PLR	M					3																	SALEABLE		349531610	NOT AVAILABLE
KEY A, BLACK	34986-2040	A-BLK	GC-5	PLR	M			2																			SALEABLE		349531610	NOT AVAILABLE
KEY A, BLACK	34986-2041	A-BLK	GC-5	PLR	M																						SALEABLE		349531610	NOT AVAILABLE
KEY A, BLACK	34986-2042	A-BLK	GC-5	PLR	M			2																			SALEABLE		349531610	NOT AVAILABLE
KEY A, BLACK	34986-2043	A-BLK	GC-5	PLR	M			2	3																		SALEABLE		349531610	NOT AVAILABLE
KEY A, BLACK	34986-2044	A-BLK	GC-5	PLR	M			2	3																		SALEABLE		349531610	NOT AVAILABLE
KEY F, LIGHT GRAY	34986-2045	F-LG	GC-5	PLR	M																						SALEABLE		349531610	NOT AVAILABLE
KEY F, LIGHT GRAY, WITH S.B.	34986-2046	F-LG	GC-SB1	PLR	M	2																					SALEABLE		349531610	NOT AVAILABLE
KEY A, BLACK	34986-2047	A-BLK	GC-5	PLR	M			2	3	4	5	6															SALEABLE		349531610	NOT AVAILABLE
KEY A, BLACK	34986-2048	A-BLK	GC-5	PLR	M					3																	SALEABLE		349531610	NOT AVAILABLE
KEY A, BLACK	34986-2049	A-BLK	GC-5	PLR	M			2																			SALEABLE		349531610	NOT AVAILABLE
KEY A, BLACK	34986-2050	A-BLK	GC-5	PLR	M			2																			SALEABLE		349531610	NOT AVAILABLE
KEY A, BLACK	34986-2051	A-BLK	GC-5	PLR	M			2																			SALEABLE		349531610	NOT AVAILABLE
KEY A, BLACK	34986-2052	A-BLK	GC-5	PLR	M			2																			SALEABLE		349531610	NOT AVAILABLE
KEY A, BLACK	34986-2053	A-BLK	GC-5	PLR	M					3	4	5															SALEABLE		349531610	NOT AVAILABLE
KEY A, BLACK	34986-2054	A-BLK	GC-5	PLR	M			2																			SALEABLE		349531610	NOT AVAILABLE
KEY A, BLACK	34986-2055	A-BLK	GC-5	PLR	M			2																			SALEABLE		349531610	NOT AVAILABLE
KEY A, BLACK	34986-2056	A-BLK	GC-5	PLR	M																						SALEABLE		349531610	NOT AVAILABLE
KEY A, BLACK	34986-2057	A-BLK	GC-5	PLR	M			2																			SALEABLE		349531610	NOT AVAILABLE
KEY B, LIGHT GRAY	34986-2058	B-LG	GC-5	PLR	M			2	3																		SALEABLE		349531610	NOT AVAILABLE
KEY B, LIGHT GRAY	34986-2059	B-LG	GC-5	PLR	M																						SALEABLE		349531610	NOT AVAILABLE
KEY A, BLACK	34986-2060	A-BLK	GC-5	PLR	M			2																			SALEABLE		349531610	NOT AVAILABLE
KEY A, BLACK	34986-2061	A-BLK	GC-5	PLR	M					3																	SALEABLE		349531610	NOT AVAILABLE
KEY F, LIGHT GRAY, WITH S.B.	34986-2062	F-LG	GC-5	PLR	M	2																					SALEABLE	SEE NOTE 4	349531610	NOT AVAILABLE
KEY F, LIGHT GRAY, WITH S.B.	34986-2063	F-LG	GC-5	PLR	M	2																					SALEABLE	SEE NOTE 4	349531610	NOT AVAILABLE
KEY A, BLACK	34986-2064	A-BLK	GC-5	PLR	M			2		3																	SALEABLE		349531610	NOT AVAILABLE
KEY F, LIGHT GRAY	34986-2065	F-LG	GC-5	PLR	M																						SALEABLE		349531610	NOT AVAILABLE
KEY F, LIGHT GRAY, WITH S.B.	34986-2066	F-LG	GC-SB1	PLR	M	2																					OBsolete		349531610	NOT AVAILABLE
KEY A, BLACK	34986-2067	A-BLK	GC-5	PLR	M					3	4																SALEABLE		349531610	NOT AVAILABLE
KEY A, BLACK	34986-2068	A-BLK	GC-5	PLR	M																						SALEABLE		349531610	NOT AVAILABLE
KEY A, BLACK	34986-2069	A-BLK	GC-5	PLR	M																						SALEABLE		349531610	NOT AVAILABLE
KEY A, BLACK	34986-2070	A-BLK	GC-5	PLR	M			2		3																	SALEABLE		349531610	NOT AVAILABLE
KEY A, BLACK	34986-2071	A-BLK	GC-5	PLR	M																						SALEABLE		349531610	NOT AVAILABLE
KEY A, BLACK	34986-2072	A-BLK	GC-5	PLR	M																						SALEABLE		349531610	NOT AVAILABLE
KEY F, LIGHT GRAY, WITH S.B.	34986-2073	F-LG	GC-SB1	PLR	M	2																					SALEABLE		349531610	NOT AVAILABLE
KEY F, LIGHT GRAY, WITH S.B.	34986-2074	F-LG	GC-5	PLR	M	2																					SALEABLE	SEE NOTE 4	349531610	NOT AVAILABLE
KEY A, BLACK	34986-2075	A-BLK	GC-5	PLR	M			2																			SALEABLE		349531610	NOT AVAILABLE
KEY A, BLACK	34986-2076	A-BLK	GC-5	PLR	M					3																	SALEABLE		349531610	NOT AVAILABLE
KEY A, BLACK	34986-2077	A-BLK	GC-5	PLR	M																						SALEABLE		349531610	NOT AVAILABLE
KEY A, BLACK	34986-2078	A-BLK	GC-5	PLR	M																						SALEABLE		349531610	NOT AVAILABLE
KEY B, LIGHT GRAY	34986-2079	B-LG	GC-5	PLR	M																						SALEABLE		349531610	NOT AVAILABLE
KEY B, LIGHT GRAY	34986-2080	B-LG	GC-5	PLR	M																						SALEABLE		349531610	NOT AVAILABLE
KEY A, BLACK	34986-2081	A-BLK	GC-5	PLR	M			2		3																	SALEABLE		349531610	NOT AVAILABLE
KEY A, BLACK	34986-2082	A-BLK	GC-5	PLR	M			2		3																	SALEABLE		349531610	NOT AVAILABLE
KEY A, BLACK	34986-2083	A-BLK	GC-5	PLR	M			2		3																	SALEABLE		349531610	NOT AVAILABLE
KEY A, BLACK	34986-2084	A-BLK	GC-5	PLR	M			2		3	4	5															SALEABLE		349531610	NOT AVAILABLE
KEY A, BLACK																														

MX150 16 WAY HYBRID BLADE SEALED ASSEMBLY MAT SEAL (2.8mm CAVITIES OPEN)
BOM AND PIN OUT SHEET

ASSEMBLY DESCRIPTION	ASSEMBLY PART NUMBER	COMPONENT					BLOCKED TERMINALS																STATUS	COMMENTS	OPTIONAL ATTACHMENTS SOLD SEPARATELY		
		THE PRESENCE OF AN ABBREVIATION INDICATES THE PRESENCE OF THAT COMPONENT.					CAVITY WITH A NUMBER INDICATES BLOCKED TERMINAL POSITION CAVITY WITHOUT A NUMBER INDICATES OPEN TERMINAL POSITION																		BACKSHELL WITH RIBS	BACKSHELL WITHOUT RIBS	
		HOUSING KEY/COLOR	GROMMET CAP	PLR	MAT SEAL	SB QTY	1	2	3	4	5	6	7	8	9	10	11	12	13	14	15	16					
KEY A, BLACK	34986-2108	A-BLK	GC-5	PLR	M			2										12	13	14	15		SALEABLE		349531610	NOT AVAILABLE	
KEY A, BLACK	34986-2109	A-BLK	GC-5	PLR	M			2	3									12	13	14	15		SALEABLE		349531610	NOT AVAILABLE	
KEY F, LIGHT GRAY, WITH S.B.	34986-2110	F-LG	GC-5	PLR	M	2					SB	SB						SB	SB		15		SEE NOTE 4		349531610	NOT AVAILABLE	
KEY A, BLACK	34986-2111	A-BLK	GC-5	PLR	M			2								10	11		13	14			SALEABLE		349531610	NOT AVAILABLE	
KEY A, BLACK	34986-2112	A-BLK	GC-5	PLR	M												11			14	15		SALEABLE		349531610	NOT AVAILABLE	
KEY A, BLACK	34986-2113	A-BLK	GC-5	PLR	M			2	3								11			14	15		SALEABLE		349531610	NOT AVAILABLE	
KEY A, BLACK	34986-2114	A-BLK	GC-5	PLR	M											10			13				SALEABLE		349531610	NOT AVAILABLE	
KEY A, BLACK	34986-2115	A-BLK	GC-5	PLR	M						3	4					11	12					SALEABLE		349531610	NOT AVAILABLE	
KEY A, BLACK	34986-2116	A-BLK	GC-5	PLR	M						3	4					11	12	13				SALEABLE		349531610	NOT AVAILABLE	
KEY A, BLACK	34986-2117	A-BLK	GC-5	PLR	M						3	4					10	11	12	13			SALEABLE		349531610	NOT AVAILABLE	
KEY A, BLACK	34986-2118	A-BLK	GC-5	PLR	M			2	3										13	14	15		SALEABLE		349531610	NOT AVAILABLE	
KEY A, BLACK	34986-2119	A-BLK	GC-5	PLR	M											10			13	14	15		SALEABLE		349531610	NOT AVAILABLE	
KEY A, BLACK	34986-2120	A-BLK	GC-5	PLR	M														13				SALEABLE		349531610	NOT AVAILABLE	
KEY A, BLACK	34986-2121	A-BLK	GC-5	PLR	M																		SALEABLE		349531610	NOT AVAILABLE	
KEY A, BLACK	34986-2122	A-BLK	GC-5	PLR	M						3			5	6	7		10	11		13	14	15	SALEABLE		349531610	NOT AVAILABLE
KEY A, BLACK	34986-2123	A-BLK	GC-5	PLR	M																			SALEABLE		349531610	NOT AVAILABLE
KEY A, BLACK	34986-2124	A-BLK	GC-5	PLR	M			2	3															SALEABLE		349531610	NOT AVAILABLE
KEY A, BLACK	34986-2125	A-BLK	GC-5	PLR	M			2							5									SALEABLE		349531610	NOT AVAILABLE
KEY A, BLACK	34986-2126	A-BLK	GC-5	PLR	M										6	7								SALEABLE		349531610	NOT AVAILABLE
KEY A, BLACK	34986-2127	A-BLK	GC-5	PLR	M						3			5	6	7								SALEABLE		349531610	NOT AVAILABLE
KEY A, BLACK	34986-2128	A-BLK	GC-5	PLR	M																			SALEABLE		349531610	NOT AVAILABLE
KEY A, BLACK	34986-2129	A-BLK	GC-5	PLR	M			2	3										12	13				SALEABLE		349531610	NOT AVAILABLE
KEY A, BLACK	34986-2130	A-BLK	GC-5	PLR	M			2							5					12	13	14	15	SALEABLE		349531610	NOT AVAILABLE
KEY A, BLACK	34986-2131	A-BLK	GC-5	PLR	M			2												11	12			SALEABLE		349531610	NOT AVAILABLE
KEY A, BLACK	34986-2132	A-BLK	GC-5	PLR	M			2	3						5					11	12			SALEABLE		349531610	NOT AVAILABLE
KEY A, BLACK	34986-2133	A-BLK	GC-5	PLR	M			2							5									SALEABLE		349531610	NOT AVAILABLE
KEY A, BLACK	34986-2134	A-BLK	GC-5	PLR	M			2	3															SALEABLE		349531610	NOT AVAILABLE
KEY A, BLACK	34986-2135	A-BLK	GC-5	PLR	M			2	3						6									SALEABLE		349531610	NOT AVAILABLE
KEY A, BLACK	34986-2136	A-BLK	GC-5	PLR	M			2	3	4				5										SALEABLE		349531610	NOT AVAILABLE
KEY A, BLACK	34986-2137	A-BLK	GC-5	PLR	M			2	3															SALEABLE		349531610	NOT AVAILABLE
KEY A, BLACK	34986-2138	A-BLK	GC-5	PLR	M			2	3	4				5	6	7								SALEABLE		349531610	NOT AVAILABLE
KEY A, BLACK	34986-2139	A-BLK	GC-5	PLR	M			2	3					5	6									SALEABLE		349531610	NOT AVAILABLE
KEY A, BLACK	34986-2140	A-BLK	GC-5	PLR	M			2	3						6	7								SALEABLE		349531610	NOT AVAILABLE
KEY A, BLACK	34986-2141	A-BLK	GC-5	PLR	M			2	3															SALEABLE		349531610	NOT AVAILABLE
KEY A, BLACK	34986-2142	A-BLK	GC-5	PLR	M										5	6								SALEABLE		349531610	NOT AVAILABLE
KEY A, BLACK	34986-2143	A-BLK	GC-5	PLR	M																			SALEABLE		349531610	NOT AVAILABLE
KEY A, BLACK	34986-2144	A-BLK	GC-5	PLR	M						3	4		5	6									SALEABLE		349531610	NOT AVAILABLE
KEY A, BLACK	34986-2145	A-BLK	GC-5	PLR	M																			SALEABLE		349531610	NOT AVAILABLE
KEY A, BLACK	34986-2146	A-BLK	GC-5	PLR	M										5									SALEABLE		349531610	NOT AVAILABLE
KEY A, BLACK	34986-2147	A-BLK	GC-5	PLR	M			2	3						5									SALEABLE		349531610	NOT AVAILABLE
KEY A, BLACK	34986-2148	A-BLK	GC-5	PLR	M			2							5	6								SALEABLE		349531610	NOT AVAILABLE
KEY A, BLACK	34986-2149	A-BLK	GC-5	PLR	M																			SALEABLE		349531610	NOT AVAILABLE
KEY A, BLACK	34986-2150	A-BLK	GC-5	PLR	M																			SALEABLE		349531610	NOT AVAILABLE
KEY A, BLACK	34986-2151	A-BLK	GC-5	PLR	M																			SALEABLE		349531610	NOT AVAILABLE
KEY A, BLACK	34986-2152	A-BLK	GC-5	PLR	M																			SALEABLE		349531610	NOT AVAILABLE
KEY A, BLACK	34986-2153	A-BLK	GC-5	PLR	M			2	3	4					6	7								SALEABLE		349531610	NOT AVAILABLE
KEY A, BLACK	34986-2154	A-BLK	GC-5	PLR	M																			SALEABLE		349531610	NOT AVAILABLE
KEY A, BLACK	34986-2155	A-BLK	GC-5	PLR	M			2	3	4					5	6	7							SALEABLE		349531610	NOT AVAILABLE
KEY A, BLACK	34986-2156	A-BLK	GC-5	PLR	M																			SALEABLE		349531610	NOT AVAILABLE
KEY A, BLACK	34986-2157	A-BLK	GC-5	PLR	M																			SALEABLE		349531610	NOT AVAILABLE
KEY A, YELLOW	34986-2158	A-YW	GC-5	PLR	M																			SALEABLE		349531610	NOT AVAILABLE
KEY A, BLACK	34986-2159	A-BLK	GC-5	PLR	M																			SALEABLE		349531610	NOT AVAILABLE
KEY A, BLACK	34986-2160	A-BLK	GC-5	PLR	M			2							5	6								SALEABLE		349531610	NOT AVAILABLE
KEY A, BLACK	34986-2161	A-BLK	GC-5	PLR	M			2							5	6	7							SALEABLE		349531610	NOT AVAILABLE
KEY A, BLACK	34986-2162	A-BLK	GC-5	PLR	M																			SALEABLE		349531610	NOT AVAILABLE
KEY A, BLACK	34986-2163	A-BLK	GC-5	PLR	M																			SALEABLE		349531610	NOT AVAILABLE
KEY A, BLACK	34986-2164	A-BLK	GC-5	PLR	M																			SALEABLE		349531610	NOT AVAILABLE
KEY B, LIGHT GRAY	34986-2165	B-LG	GC-5	PLR	M																			SALEABLE		349531610	NOT AVAILABLE
KEY A, BLACK	34986-2166	A-BLK	GC-5	PLR	M			2							5	6	7							SALEABLE		349531610	NOT AVAILABLE
KEY A, BLACK	34986-2167	A-BLK	GC-5	PLR	M			2							4	5	6	7						SALEABLE		349531610	NOT AVAILABLE
KEY A, BLACK	34986-2168	A-BLK	GC-5	PLR	M			2							4	5	6	7						SALEABLE		349531610	NOT AVAILABLE
KEY A, BLACK	34986-2169	A-BLK	GC-5	PLR	M										3									SALEABLE		349531610	NOT AVAILABLE
KEY A, BLACK	34986-2170	A-BLK	GC-5	PLR	M										3									SALEABLE		349531610	NOT AVAILABLE
KEY A, BLACK	34986-2171	A-BLK	GC-5	PLR	M																			SALEABLE		349531610	NOT AVAILABLE
KEY A, BLACK	34986-2172	A-BLK	GC-5	PLR	M										5	6	7							SALEABLE		349531610	NOT AVAILABLE
KEY A, BLACK	34986-2173	A-BLK	GC-5	PLR	M										5	6	7							SALEABLE		349531610	NOT AVAILABLE
KEY A, BLACK	34986-2174	A-BLK	GC-5	PLR	M										3									SALEABLE		349531610	NOT AVAILABLE
KEY A, BLACK	34986-2175	A-BLK	GC-5	PLR	M																			SALEABLE		349531610	NOT AVAILABLE
KEY F, LIGHT GRAY	34986-2176	F-LG	GC-5	PLR	M																			SALEABLE		349531610	NOT AVAILABLE
KEY F, LIGHT GRAY	34986-2177	F-LG	GC-5	PLR	M																			SALEABLE		349531610	NOT AVAILABLE
KEY F, LIGHT GRAY	34986-2178	F-LG	GC-5	PLR	M																			SALEABLE		349531610	NOT AVAILABLE
KEY F, LIGHT GRAY	34986-2179	F-LG	GC-5	PLR																							

**MX150 16 WAY HYBRID BLADE SEALED ASSEMBLY MAT SEAL (2.8mm CAVITIES OPEN)
BOM AND PIN OUT SHEET**

ASSEMBLY DESCRIPTION	ASSEMBLY PART NUMBER	COMPONENT					BLOCKED TERMINALS																STATUS	COMMENTS	OPTIONAL ATTACHMENTS SOLD SEPERATELY						
		THE PRESENCE OF AN ABBREVIATION INDICATES THE PRESENCE OF THAT COMPONENT.					CAVITY WITH A NUMBER INDICATES BLOCKED TERMINAL POSITION CAVITY WITHOUT A NUMBER INDICATES OPEN TERMINAL POSITION																		BACKSHELL WITH RIBS	BACKSHELL WITHOUT RIBS					
		HOUSING KEY/COLOR	GROMMET CAP	PLR	MAT SEAL	SB QTY	1	2	3	4	5	6	7	8	9	10	11	12	13	14	15	16									
KEY B, LIGHT GRAY	34986-2288	B-LG	GC-S	PLR	M																	12			14			SALEABLE		349531610	NOT AVAILABLE
KEY A, BLACK	34986-2289	A-BLK	GC-S	PLR	M				4	5	6																	SALEABLE		349531610	NOT AVAILABLE
KEY B, LIGHT GRAY	34986-2290	B-LG	GC-S	PLR	M																	11						SALEABLE		349531610	NOT AVAILABLE
KEY B, LIGHT GRAY	34986-2291	B-LG	GC-S	PLR	M		2	3	4	5		7												14	15			SALEABLE		349531610	NOT AVAILABLE
KEY A, BLACK	34986-2292	A-BLK	GC-S	PLR	M		2			5		7				10	11	12	13						15			SALEABLE		349531610	NOT AVAILABLE
KEY A, BLACK	34986-2293	A-BLK	GC-S	PLR	M		2			5		7				10	11	12							15			SALEABLE		349531610	NOT AVAILABLE
KEY A, BLACK	34986-2294	A-BLK	GC-S	PLR	M		2	3	4							10	11	12						14	15			SALEABLE		349531610	NOT AVAILABLE
KEY A, BLACK	34986-2295	A-BLK	GC-S	PLR	M				4							10	11	12	13									SALEABLE		349531610	NOT AVAILABLE
KEY A, BLACK	34986-2296	A-BLK	GC-S	PLR	M				4								11	12	13						15			SALEABLE		349531610	NOT AVAILABLE
KEY A, BLACK	34986-2297	A-BLK	GC-S	PLR	M		2	3			6	7				10	11							14	15			SALEABLE		349531610	NOT AVAILABLE
KEY A, BLACK	34986-2298	A-BLK	GC-S	PLR	M		2			5		7				10	11			13				15				SALEABLE		349531610	NOT AVAILABLE
KEY A, BLACK	34986-2299	A-BLK	GC-S	PLR	M				4	5	6					10	11	12						14	15			SALEABLE		349531610	NOT AVAILABLE