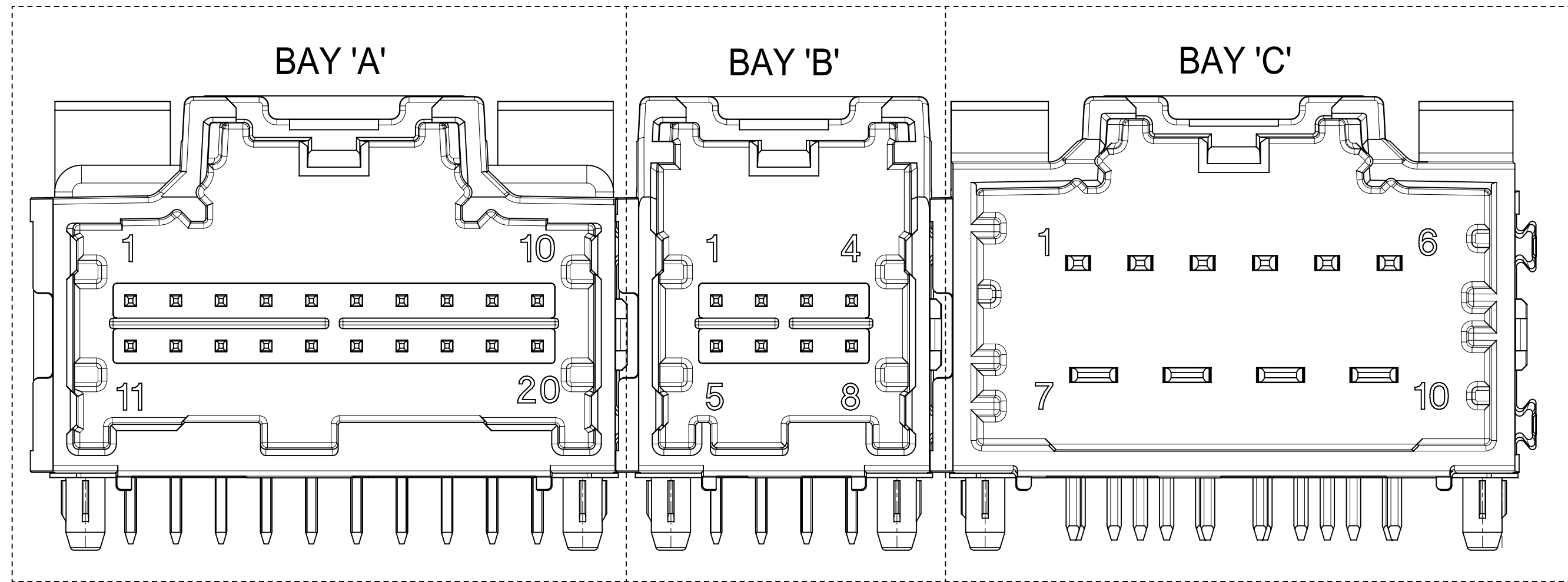


3-BAY STAC64 RIGHT ANGLE HEADER ASSEMBLY (P/N: 34708-3040 SHOWN)



NOTES: VALID UNLESS OTHERWISE SPECIFIED

1. GENERAL:

a. CONNECTOR HEADER MUST BE VALIDATED TO THE FOLLOWING FUNCTIONAL REQUIREMENTS:

PRODUCT SPECIFICATION:
8-20 CKT 0.64 PRODUCT SPEC: PS-34729-020/PS-31408-100
10/14 CKT HYBRID PRODUCT SPEC: PS-31372-100

b. APPLICATION REQUIREMENTS (REFERENCE ONLY):

APPLICATION SPECIFICATION: AS-34729-020/AS-31408-100

c. PACKAGING SPECIFICATION PER MOLEX DRAWING PK-31300-892 (TRAY)

d. PACKAGING SPECIFICATION PER MOLEX DRAWING PK-31301-063 (TUBE)

2. DESIGN: MATERIALS:

a. SHROUD (PLASTIC HOUSING):

RESIN - SPS 30%GF
COLOR:
POL A - BLACK
POL B - GRAY
POL C - BROWN
POL D - GREEN

b. 0.64mm PINS:

BASE MATERIAL: C26000
PLATING TYPE: AS NOTED

1.50/2.80mm BLADES:
BASE MATERIAL: C19400
PLATING TYPE: AS NOTED

3. PLATING REQUIREMENTS:

a. UNDERPLATING - OVERALL NICKEL

b. OVERPLATING - OVERALL TIN

4. FOR DESCRIPTION OF INDIVIDUAL BAYS, REFER TO THE FOLLOWING

SINGLE BAY DRAWINGS:
8-20 CKT 0.64: SD-34691-100
10 CKT HYBRID: SD-34696-100
14 CKT HYBRID: SD-34773-010

SYMBOLS										THIS DRAWING CONTAINS INFORMATION THAT IS PROPRIETARY TO MOLEX ELECTRONIC TECHNOLOGIES, LLC AND SHOULD NOT BE USED WITHOUT WRITTEN PERMISSION									
	= 0	DIMENSION UNITS	SCALE	CURRENT REV DESC:						molex 3-BAY STAC64 RIGHT ANGLE HEADER ASSEMBLY SALES DRAWING PRODUCT CUSTOMER DRAWING									
	= 0	mm	1:1	EC NO: 612618															
	= 0	GENERAL TOLERANCES (UNLESS SPECIFIED)		DRWN: SHANDITHAVAL 2019/02/22						DOCUMENT NUMBER									
	= 0	ANGULAR TOL ± 1.0°		CHK'D: RBAUMAN 2019/02/23												DOC TYPE		DOC PART	
	= 0	4 PLACES ±		APPR: RBAUMAN 2019/02/23						SD-34708-300		PSD		001 U8					
	= 0	3 PLACES ±		INITIAL REVISION:						DOCUMENT NUMBER		DOC TYPE		DOC PART		REVISION			
	= 0	2 PLACES ± 0.13		DRWN: JDUNAJ 2009/03/10						SD-34708-300		PSD		001 U8					
	= 0	1 PLACE ± 0.25		APPR: SMARCEAU 2009/03/11						MATERIAL NUMBER		CUSTOMER		SHEET NUMBER					
	= 0	0 PLACES ±		DRAFT WHERE APPLICABLE MUST REMAIN WITHIN DIMENSIONS						SD-34708-300		GENERAL MARKET		1 OF 6					
	= 0	DRAFT WHERE APPLICABLE MUST REMAIN WITHIN DIMENSIONS		THIRD ANGLE PROJECTION		DRAWING		SERIES		MATERIAL NUMBER		CUSTOMER		SHEET NUMBER					
	= 0					D-SIZE		34708		SD-34708-300		GENERAL MARKET		1 OF 6					

DIMENSIONAL CHART FOR MULTIBAY CONFIGURATION:

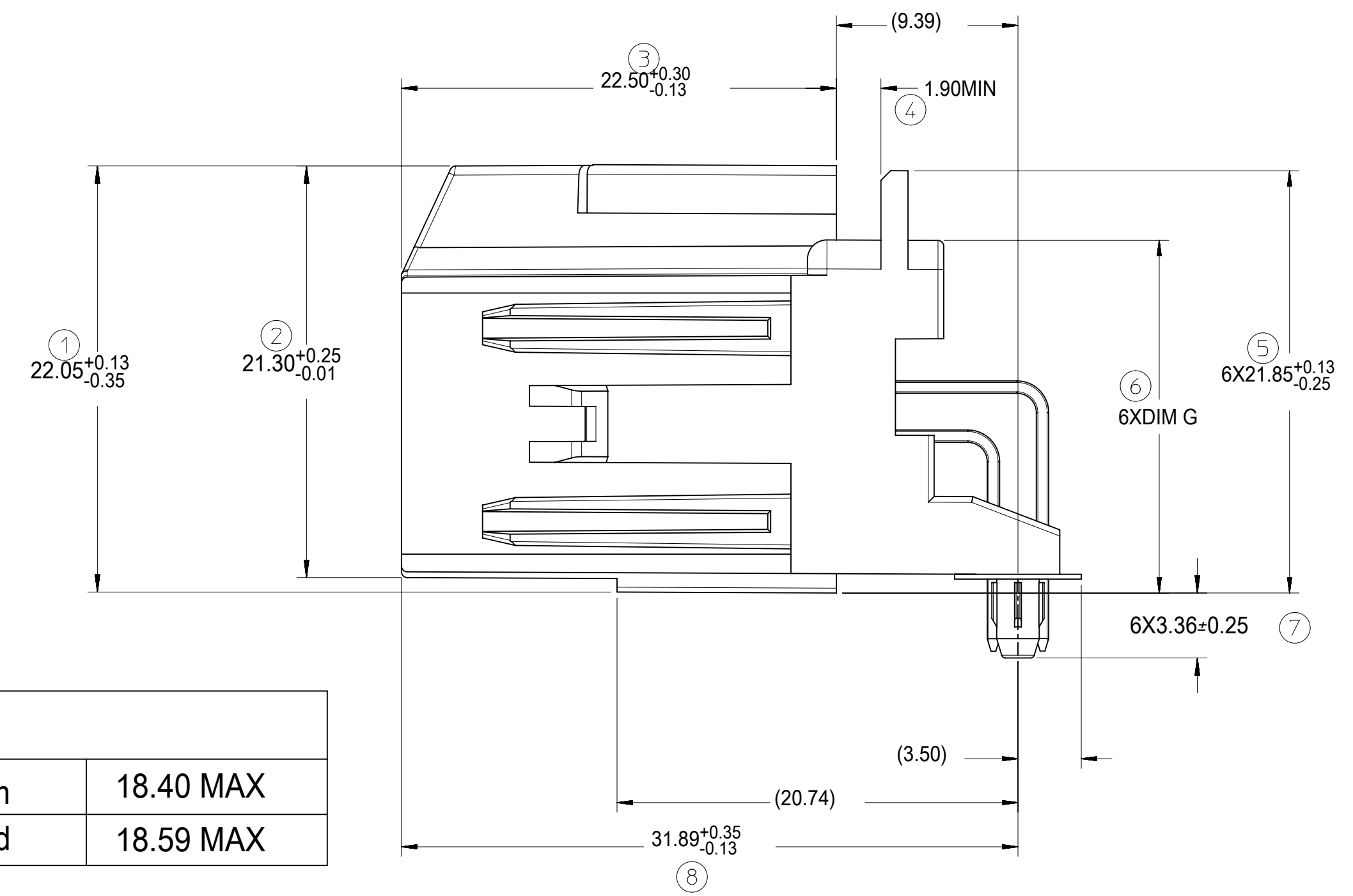
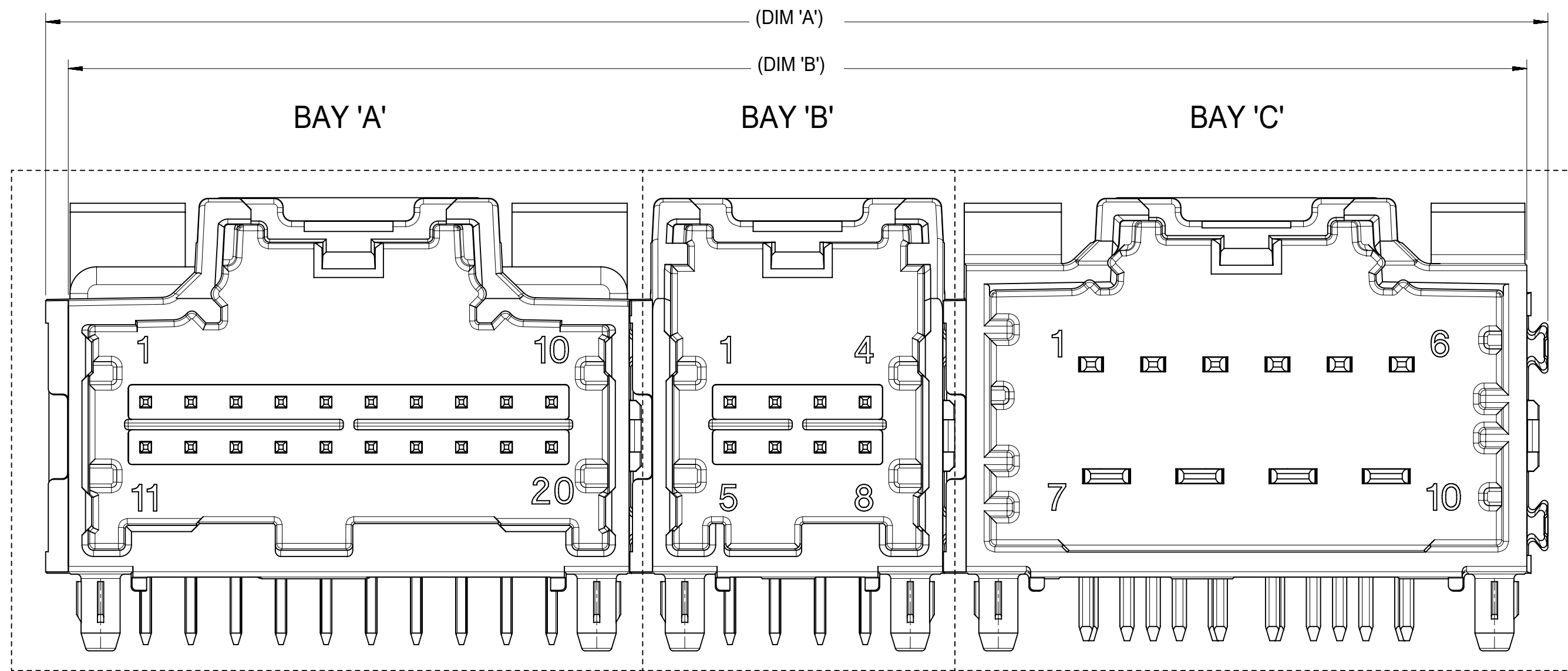
3 BAY PART NUMBER (TUBE PKG)	3 BAY PART NUMBER (TRAY PKG)	BAY A			BAY B			BAY C			DIM 'A'	DIM 'B'	DIM 'C'	DIM 'D'	DIM 'E'
		CKT	TYPE	POL	CKT	TYPE	POL	CKT	TYPE	POL					
	34708-3000	16	0.64mm	B	16	0.64mm	A	12	0.64mm	B	79.52	77.05	22.86	22.86	17.78
	34708-3001	20	0.64mm	A	20	0.64mm	B	12	0.64mm	A	89.86	87.21	27.94	27.94	17.78
	34708-3002	20	0.64mm	A	20	0.64mm	B	14	HYBRID	C	99.84	97.37	27.94	27.94	27.94
	34708-3003	10	HYBRID	A	16	0.64mm	A	8	0.64mm	C	79.52	77.05	27.94	22.86	12.70
	34708-3004	16	0.64mm	A	16	0.64mm	B	16	0.64mm	C	84.60	82.13	22.86	22.86	22.86
	34708-3006	20	0.64mm	D	20	0.64mm	B	20	0.64mm	C	99.84	97.37	27.94	27.94	27.94
TBD	34708-3007	20	0.64mm	A	12	0.64mm	A	20	0.64mm	D	89.68	87.21	27.94	17.78	27.94
TBD	347083008	20	0.64mm	A	10	HYBRID	B	10	HYBRID	A	99.84	97.37	27.94	27.94	27.94
34708-8010	34708-3010	20	0.64mm	A	20	0.64mm	B	16	0.64mm	A	94.76	92.29	27.94	27.94	22.86
TBD	34708-3020	10	HYBRID	A	20	0.64mm	B	20	0.64mm	C	99.84	97.37	27.94	27.94	27.94
TBD	34708-3021	10	HYBRID	A	20	0.64mm	C	20	0.64mm	D	99.84	97.37	27.94	27.94	27.94
TBD	34708-3022	20	0.64mm	B	16	0.64mm	C	10	HYBRID	A	94.76	92.29	27.94	22.86	27.94
TBD	34708-3030	16	0.64mm	A	12	0.64mm	A	10	HYBRID	A	84.60	82.13	22.86	17.78	27.94
TBD	34708-3040	20	0.64mm	A	8	0.64mm	A	10	HYBRID	A	84.60	82.13	27.94	12.70	27.94
TBD	34708-3050	10	HYBRID	A	16	0.64mm	B	16	0.64mm	C	89.68	87.21	27.94	22.86	22.86
TBD	34708-3060	16	0.64mm	A	20	0.64mm	C	20	0.64mm	D	94.76	92.29	22.86	27.94	27.94
34708-8070	34708-3070	20	0.64mm	A	20	0.64mm	B	10	HYBRID	A	99.84	97.37	27.94	27.94	27.94
TBD	34708-3071	20	0.64mm	A	10	HYBRID	A	10	HYBRID	B	99.84	97.37	27.94	27.94	27.94
TBD	34708-3080	12	0.64mm	A	12	0.64mm	B	16	0.64mm	A	74.44	71.97	17.78	17.78	22.86
TBD	34708-3081	20	0.64mm	D	12	0.64mm	B	20	0.64mm	C	89.68	87.21	27.94	17.78	27.94
TBD	34708-3082	12	0.64mm	C	8	0.64mm	A	8	0.64mm	B	59.20	56.73	17.78	12.70	12.70
TBD	34708-3083	8	0.64mm	C	16	0.64mm	B	16	0.64mm	C	74.44	71.97	12.70	22.86	22.86
TBD	34708-3084	16	0.64mm	A	8	0.64mm	A	8	0.64mm	B	64.28	61.81	22.86	12.70	12.70
TBD	34708-3085	20	0.64mm	A	20	0.64mm	B	20	0.64mm	C	99.84	97.37	27.94	27.94	27.94
TBD	34708-3086	20	0.64mm	A	20	0.64mm	B	8	0.64mm	A	84.60	82.13	27.94	27.94	12.70
TBD	34708-3087	20	0.64mm	A	16	0.64mm	A	8	0.64mm	A	79.52	77.05	27.94	22.86	12.70
TBD	34708-3088	12	0.64mm	A	16	0.64mm	A	12	0.64mm	B	74.44	71.97	17.78	22.86	17.78
TBD	34708-3089	16	0.64mm	A	16	0.64mm	B	20	0.64mm	A	89.68	87.21	22.86	22.86	27.94
TBD	34708-3090	16	0.64mm	C	16	0.64mm	A	8	0.64mm	B	74.44	71.97	22.86	22.86	12.70
TBD	34708-3091	20	0.64mm	C	12	0.64mm	C	16	0.64mm	B	84.60	82.13	27.94	17.78	22.86
TBD	34708-3092	12	0.64mm	B	8	0.64mm	C	20	0.64mm	D	74.44	71.97	17.78	12.70	27.94
TBD	34708-3093	16	0.64mm	B	16	0.64mm	A	8	0.64mm	A	74.44	71.97	22.86	22.86	12.70
TBD	34708-3094	20	0.64mm	D	20	0.64mm	B	8	0.64mm	A	84.60	82.13	27.94	27.94	12.70
TBD	34708-3095	20	0.64mm	A	16	0.64mm	C	12	0.64mm	B	84.60	82.13	27.94	22.86	17.78
TBD	34708-3096	16	0.64mm	A	16	0.64mm	B	20	0.64mm	C	89.68	87.21	22.86	22.86	27.94
TBD	34708-3097	16	0.64mm	C	12	0.64mm	B	20	0.64mm	A	84.60	82.13	22.86	17.78	27.94
TBD	34708-3098	20	0.64mm	B	20	0.64mm	C	20	0.64mm	D	99.84	97.37	27.94	27.94	27.94

SYMBOLS	THIS DRAWING CONTAINS INFORMATION THAT IS PROPRIETARY TO MOLEX ELECTRONIC TECHNOLOGIES, LLC AND SHOULD NOT BE USED WITHOUT WRITTEN PERMISSION	
	DIMENSION UNITS	SCALE
▽ = 0	mm	1:1
▽ = 0	GENERAL TOLERANCES (UNLESS SPECIFIED)	
▽ = 0	ANGULAR TOL ± 1.0°	
▽ = 0	4 PLACES	±
▽ = 0	3 PLACES	±
▽ = 0	2 PLACES	± 0.13
▽ = 0	1 PLACE	± 0.25
▽ = 0	0 PLACES	±
■ = 0	DRAFT WHERE APPLICABLE MUST REMAIN WITHIN DIMENSIONS	
▽ = 0	THIRD ANGLE PROJECTION	DRAWING
	D-SIZE	SERIES
	34708	
CURRENT REV DESC:		
EC NO: 612618		
DRWN: SHANDITHAVAL 2019/02/22		
CHK'D: RBAUMAN 2019/02/23		
APPR: RBAUMAN 2019/02/23		
INITIAL REVISION:		
DRWN: JDUNAJ 2009/03/10		
APPR: SMARCEAU 2009/03/11		
DOCUMENT NUMBER	DOC TYPE	DOC PART
SD-34708-300	PSD	001
REVISION		
U8		
MATERIAL NUMBER	CUSTOMER	SHEET NUMBER
	GENERAL MARKET	2 OF 6

DIMENSIONAL CHART FOR MULTIBAY CONFIGURATION:

3 BAY PART NUMBER (TUBE PKG)	3 BAY PART NUMBER (TRAY PKG)	BAY A			BAY B			BAY C			DIM 'A'	DIM 'B'	DIM 'C'	DIM 'D'	DIM 'E'
		CKT	TYPE	POL	CKT	TYPE	POL	CKT	TYPE	POL					
	34708-3099	10	HYBRID	A	20	0.64mm	D	10	HYBRID	B	99.84	97.37	27.94	27.94	27.94

SYMBOLS	THIS DRAWING CONTAINS INFORMATION THAT IS PROPRIETARY TO MOLEX ELECTRONIC TECHNOLOGIES, LLC AND SHOULD NOT BE USED WITHOUT WRITTEN PERMISSION										
		DIMENSION UNITS	SCALE	CURRENT REV DESC:							molex
	= 0	mm	1:1								
		GENERAL TOLERANCES (UNLESS SPECIFIED)									
		ANGULAR TOL ± 1.0°									EC NO: 612618 DRWN: SHANDITHAVAL 2019/02/22 CHK'D: RBAUMAN 2019/02/23 APPR: RBAUMAN 2019/02/23 INITIAL REVISION: DRWN: JDUNAJ 2009/03/10 APPR: SMARCEAU 2009/03/11
		4 PLACES	±								
		3 PLACES	±								
		2 PLACES	± 0.13								
		1 PLACE	± 0.25								
		0 PLACES	±								DOCUMENT NUMBER: SD-34708-300 DOC TYPE: PSD DOC PART: 001 REVISION: U8
	DRAFT WHERE APPLICABLE MUST REMAIN WITHIN DIMENSIONS			THIRD ANGLE PROJECTION	DRAWING	SERIES	MATERIAL NUMBER	CUSTOMER	SHEET NUMBER		
					D-SIZE	34708		GENERAL MARKET	6 OF 6		

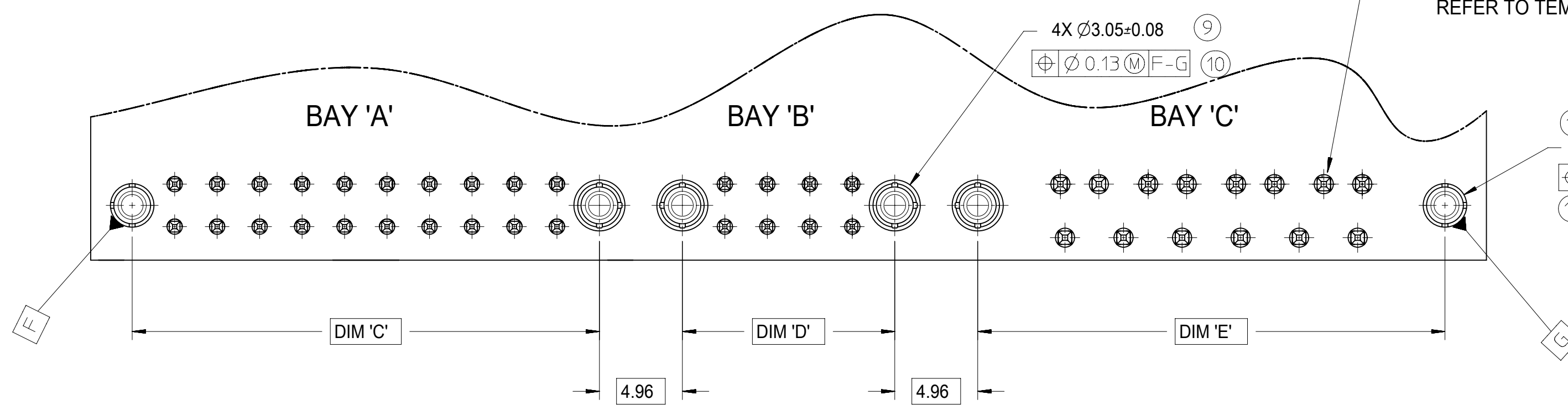


FOR DIM G:	
8-20CKT 0.64mm	18.40 MAX
10/14CKT Hybrid	18.59 MAX

RECOMMENDED PCB LAYOUT

INSERT NECESSARY BAYS USING CHART ON SHEET 2

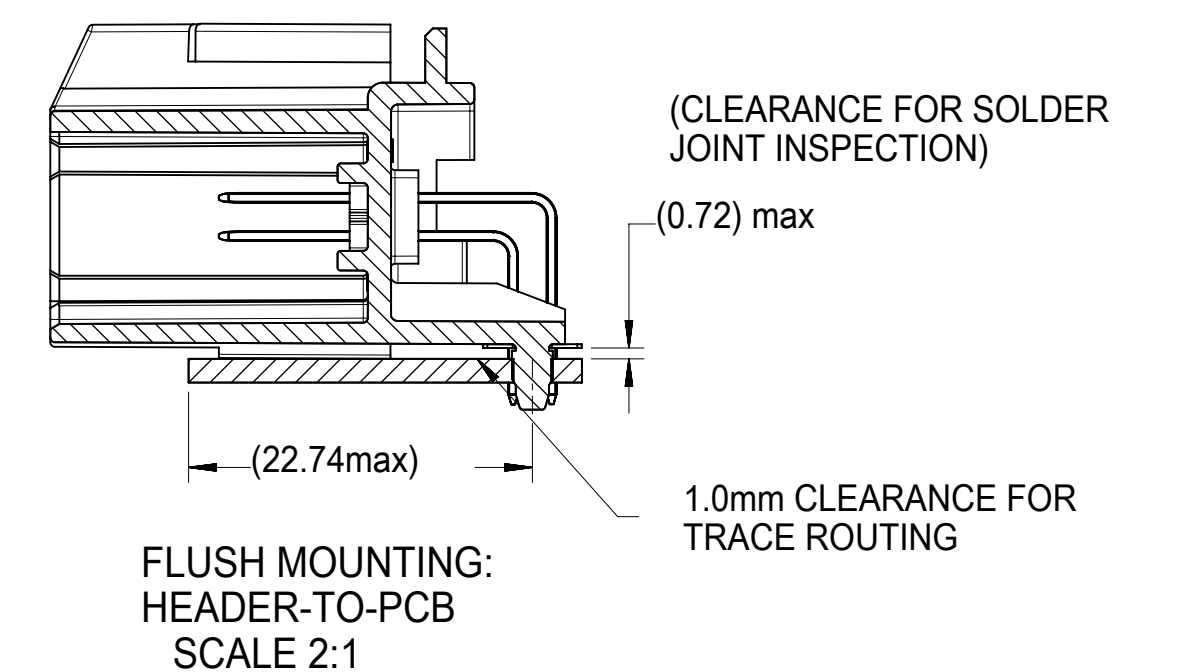
FOR PIN LOCATION, REFER TO TEMPLATES ON SHEET 5



POST HOLE TABLE:

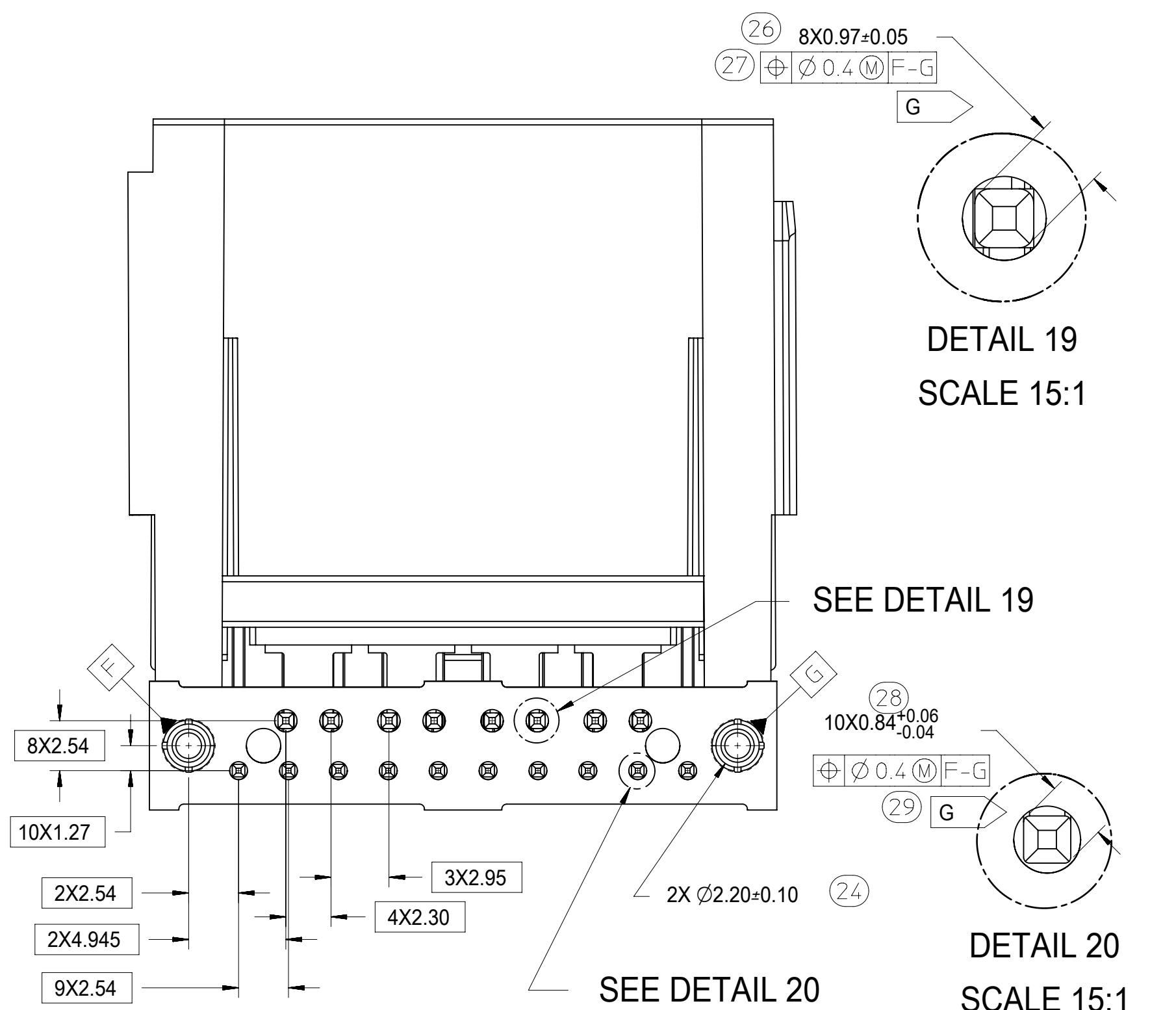
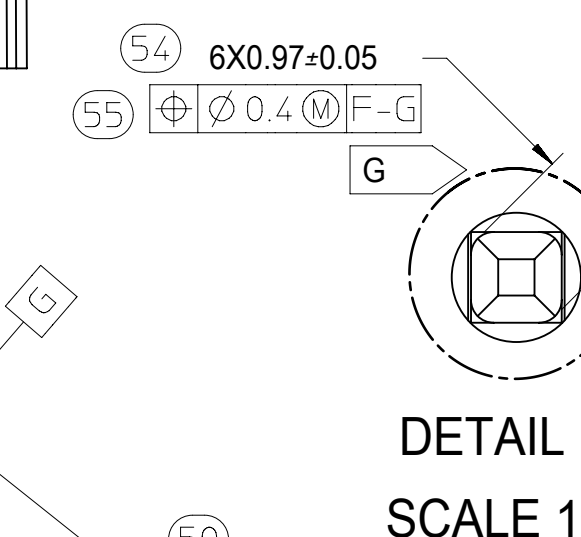
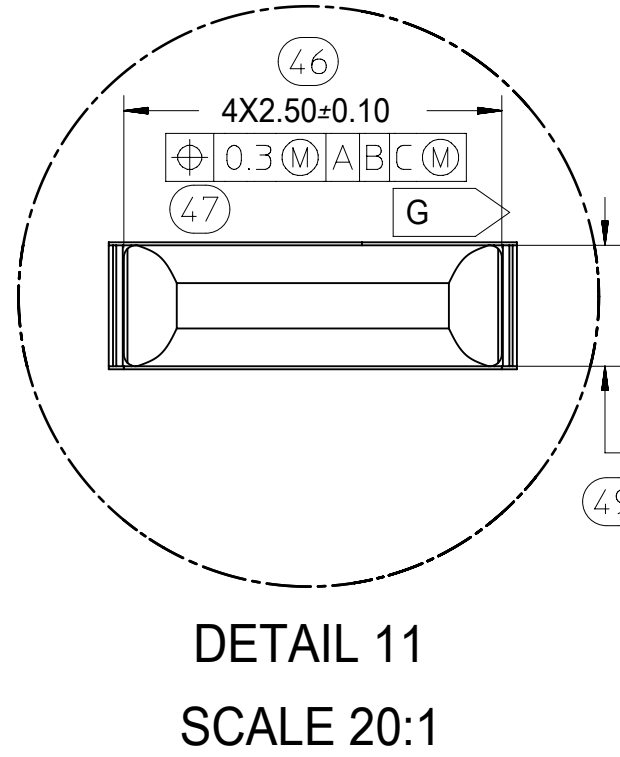
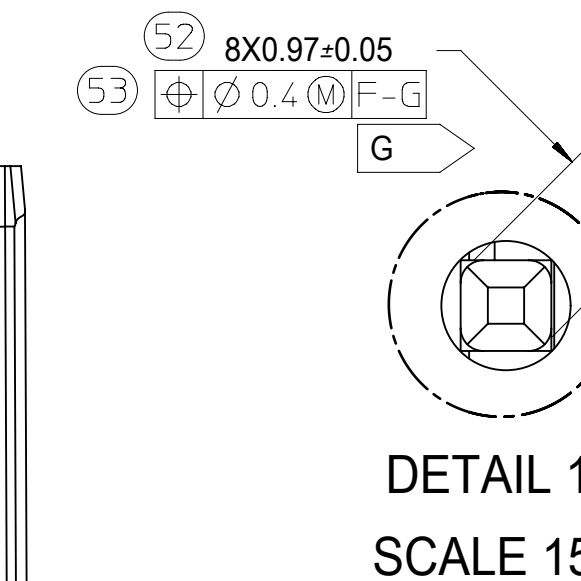
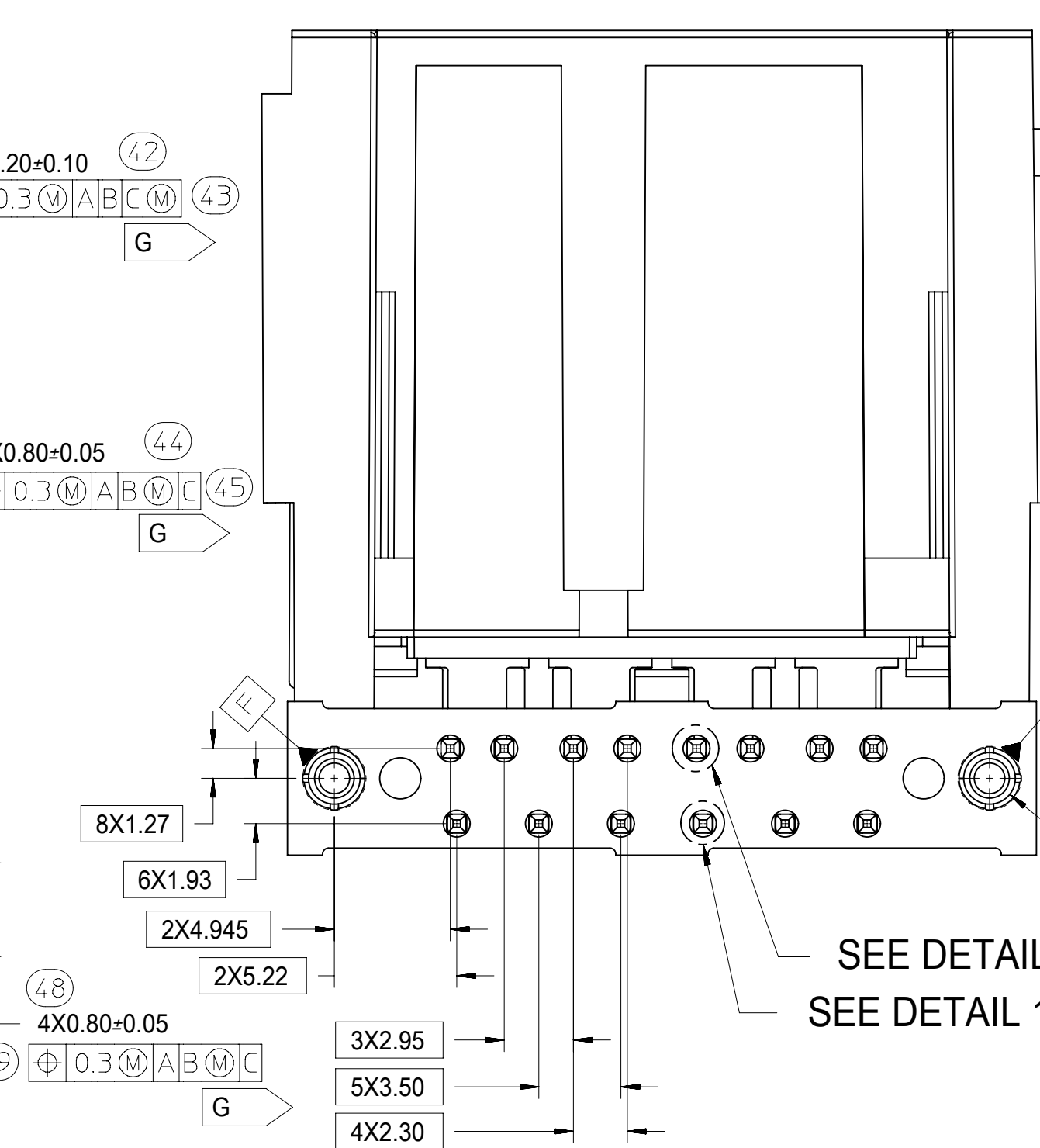
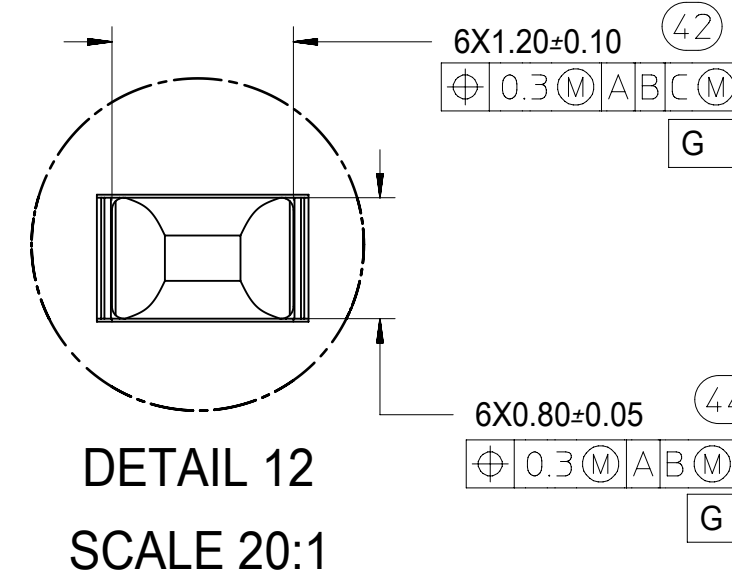
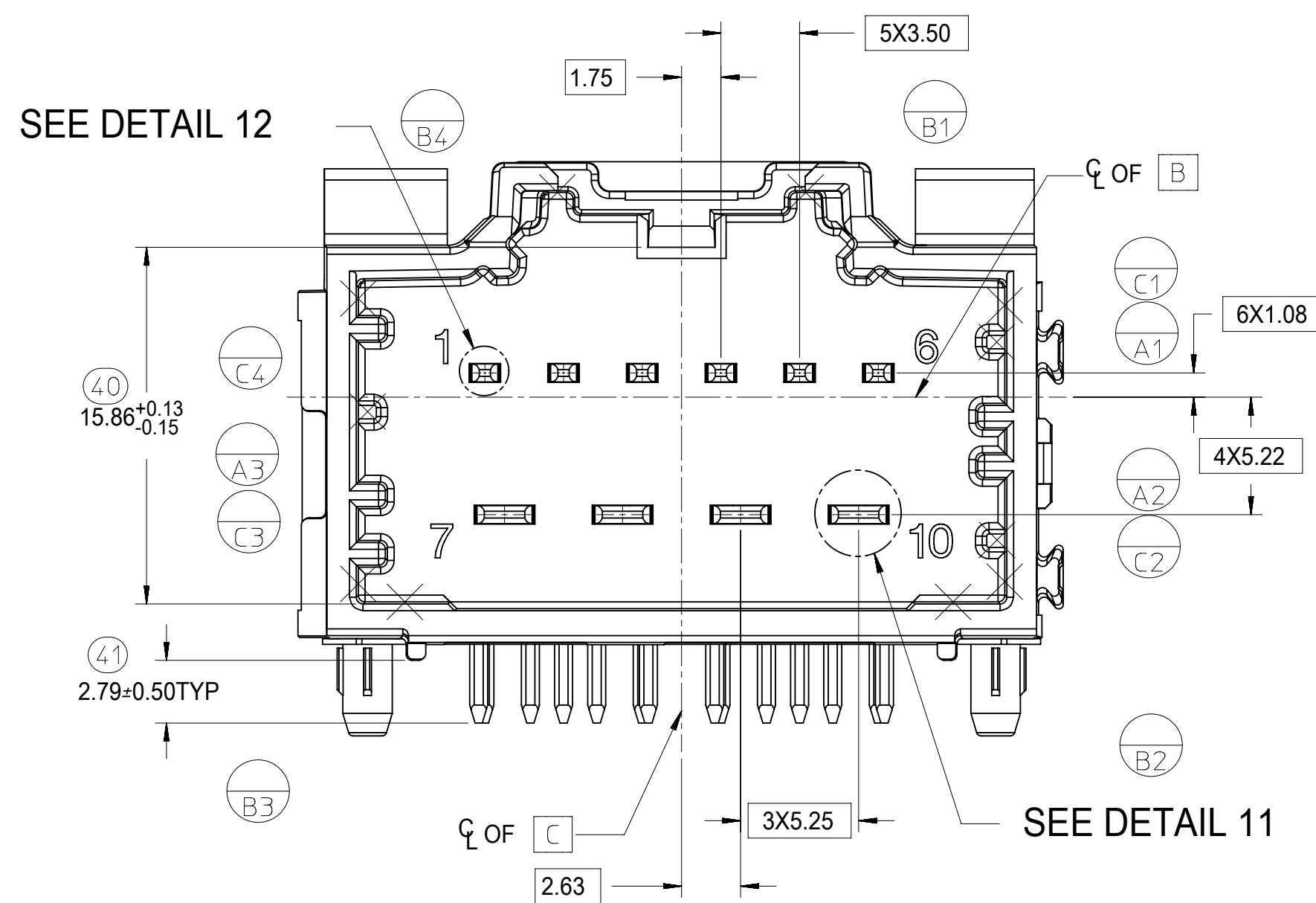
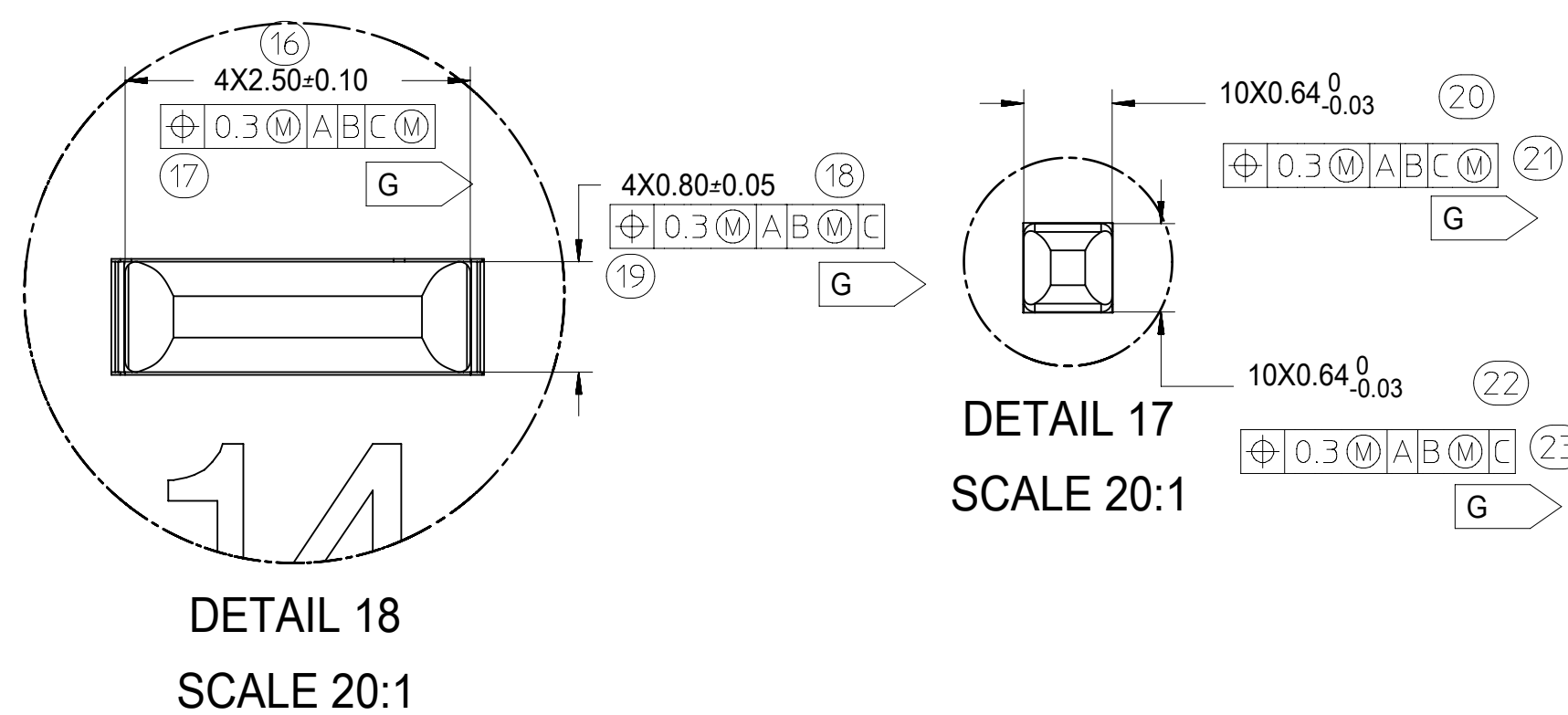
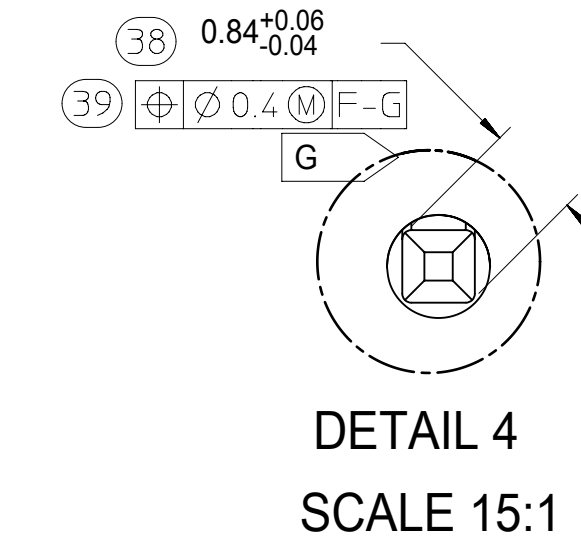
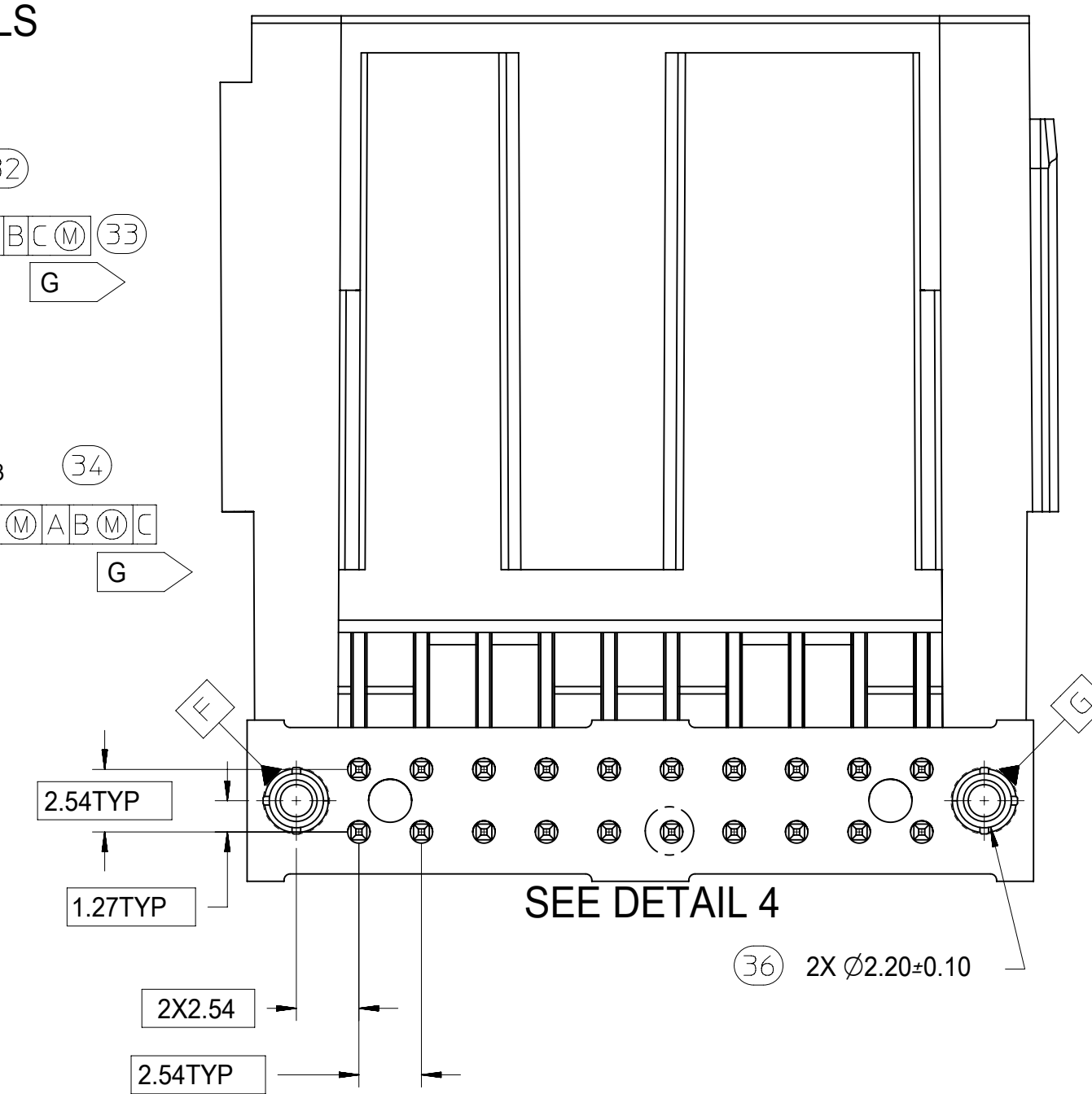
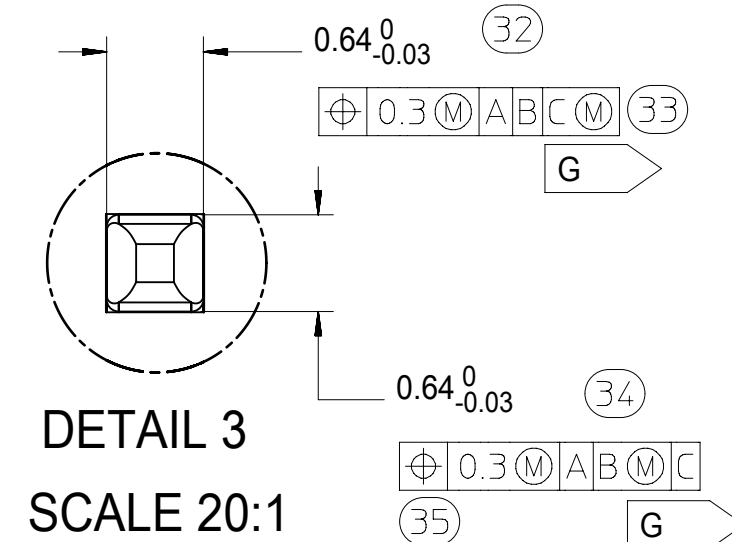
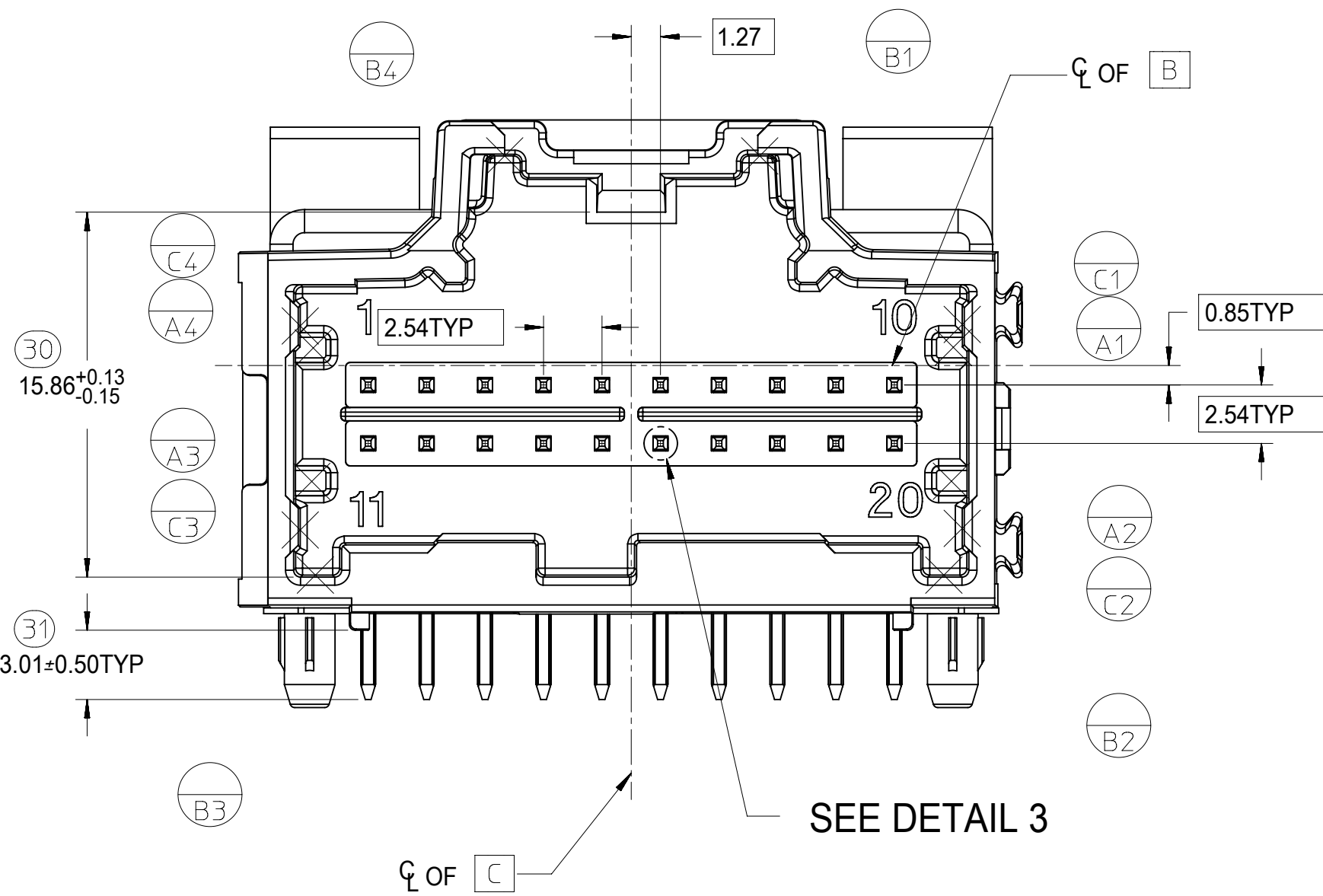
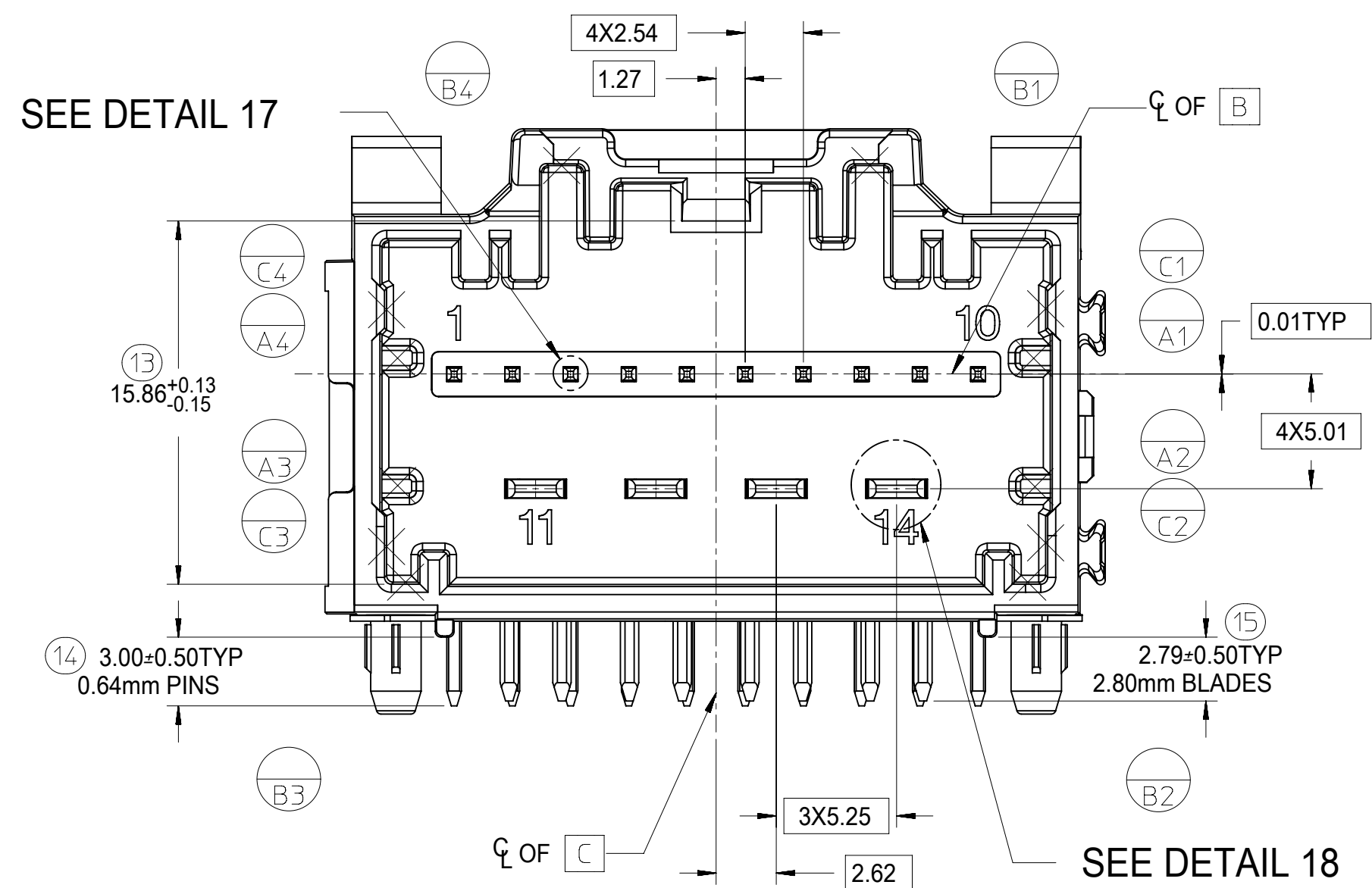
FOR DIM Z:	
PRESS FIT:	2.60
DROP IN:	3.05

ALL CIRCUIT SIZES



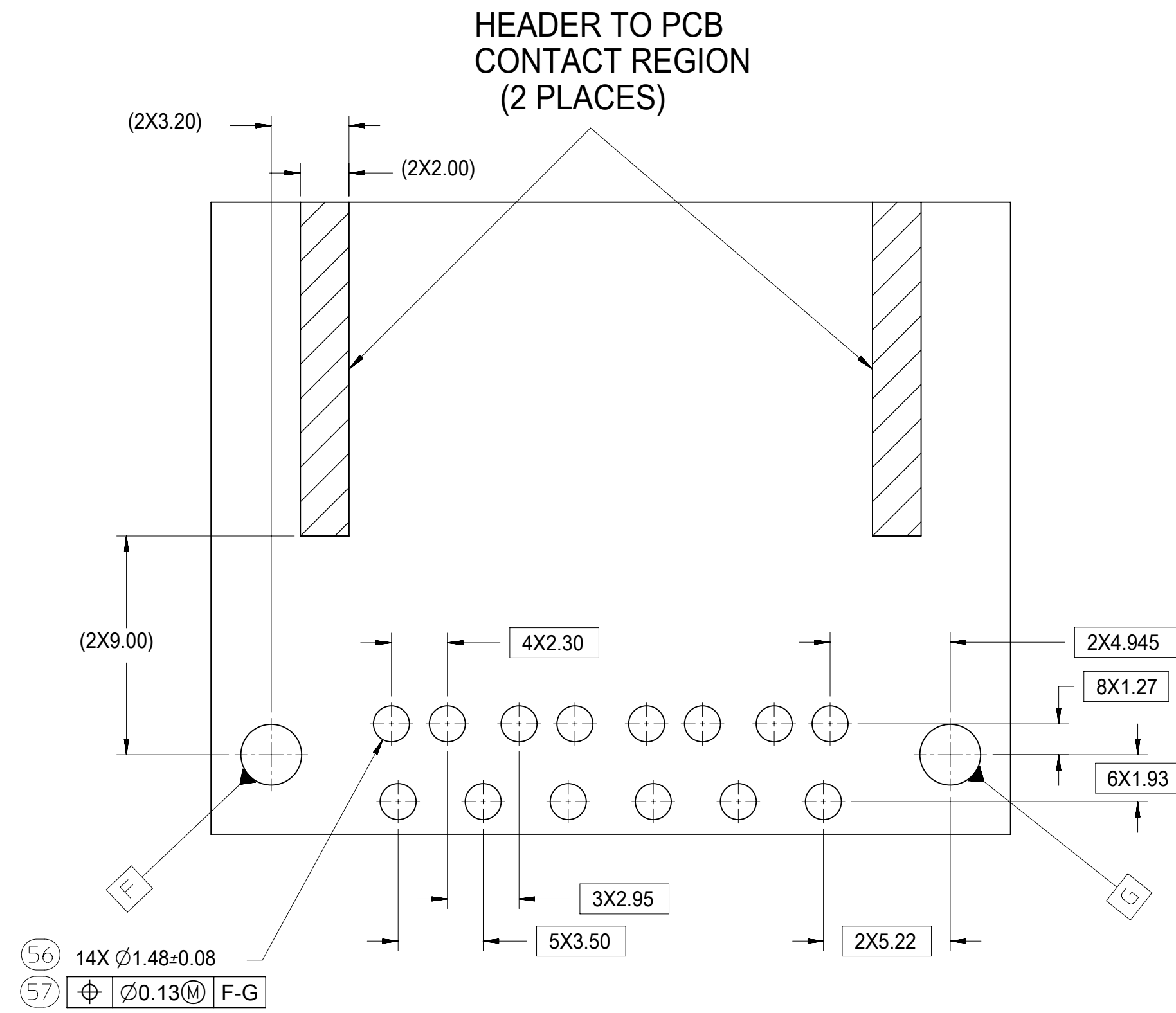
SYMBOLS	THIS DRAWING CONTAINS INFORMATION THAT IS PROPRIETARY TO MOLEX ELECTRONIC TECHNOLOGIES, LLC AND SHOULD NOT BE USED WITHOUT WRITTEN PERMISSION		CURRENT REV DESC:						
	DIMENSION UNITS	SCALE							
= 0	mm	1:1				3-BAY STAC64 RIGHT ANGLE HEADER ASSEMBLY SALES DRAWING			
= 0	GENERAL TOLERANCES (UNLESS SPECIFIED)								
= 0	ANGULAR TOL ± 1.0°		EC NO: 612618			PRODUCT CUSTOMER DRAWING			
= 0	4 PLACES ±		DRWN: SHANDITHAVAL 2019/02/22						
= 0	3 PLACES ±		CHK'D: RBAUMAN 2019/02/23			DOCUMENT NUMBER: SD-34708-300 DOC TYPE: PSD DOC PART: 001 REVISION: U8			
= 0	2 PLACES ± 0.13		APPR: RBAUMAN 2019/02/23						
= 0	1 PLACE ± 0.25		INITIAL REVISION:			MATERIAL NUMBER: 34708 CUSTOMER: GENERAL MARKET SHEET NUMBER: 3 OF 6			
= 0	0 PLACES ±		DRWN: JDUNAJ 2009/03/10						
= 0	DRAFT WHERE APPLICABLE MUST REMAIN WITHIN DIMENSIONS		THIRD ANGLE PROJECTION		DRAWING: D-SIZE SERIES: 34708				

8-20 CKT 0.64mm HEADER DETAILS

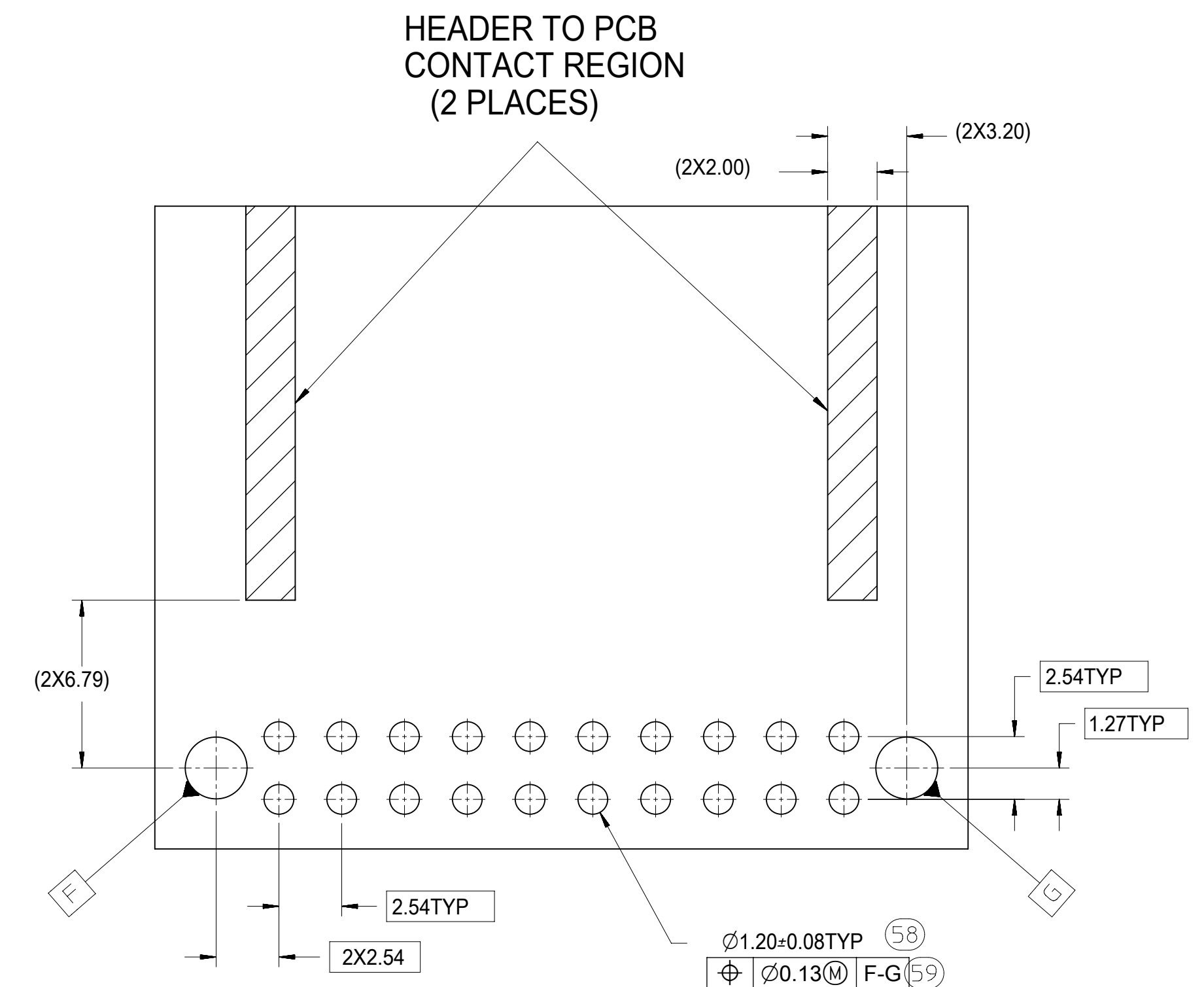


SYMBOLS	THIS DRAWING CONTAINS INFORMATION THAT IS PROPRIETARY TO MOLEX ELECTRONIC TECHNOLOGIES, LLC AND SHOULD NOT BE USED WITHOUT WRITTEN PERMISSION		CURRENT REV DESC:	
	DIMENSION UNITS	SCALE		
▽ = 0	mm	1:1		
▽ = 0	GENERAL TOLERANCES (UNLESS SPECIFIED)			
▽ = 0	ANGULAR TOL ± 1.0°			
▽ = 0	4 PLACES ±			
▽ = 0	3 PLACES ±			
▽ = 0	2 PLACES ± 0.13			
▽ = 0	1 PLACE ± 0.25			
▽ = 0	0 PLACES ±			
■ = 0	DRAFT WHERE APPLICABLE MUST REMAIN WITHIN DIMENSIONS		THIRD ANGLE PROJECTION	DRAWING SERIES
▽ = 0			D-SIZE	34708
EC NO: 612618			2019/02/22	
DRWN: SHANDITHAVAL			2019/02/23	
CHK'D: RBAUMAN			2019/02/23	
APPR: RBAUMAN			2019/02/23	
INITIAL REVISION:				
DRWN: JDUNAJ			2019/03/10	
APPR: SMARCEAU			2019/03/11	
DOCUMENT NUMBER		DOC TYPE	DOC PART	REVISION
SD-34708-300		PSD	001	U8
MATERIAL NUMBER		CUSTOMER		SHEET NUMBER
		GENERAL MARKET		4 OF 6

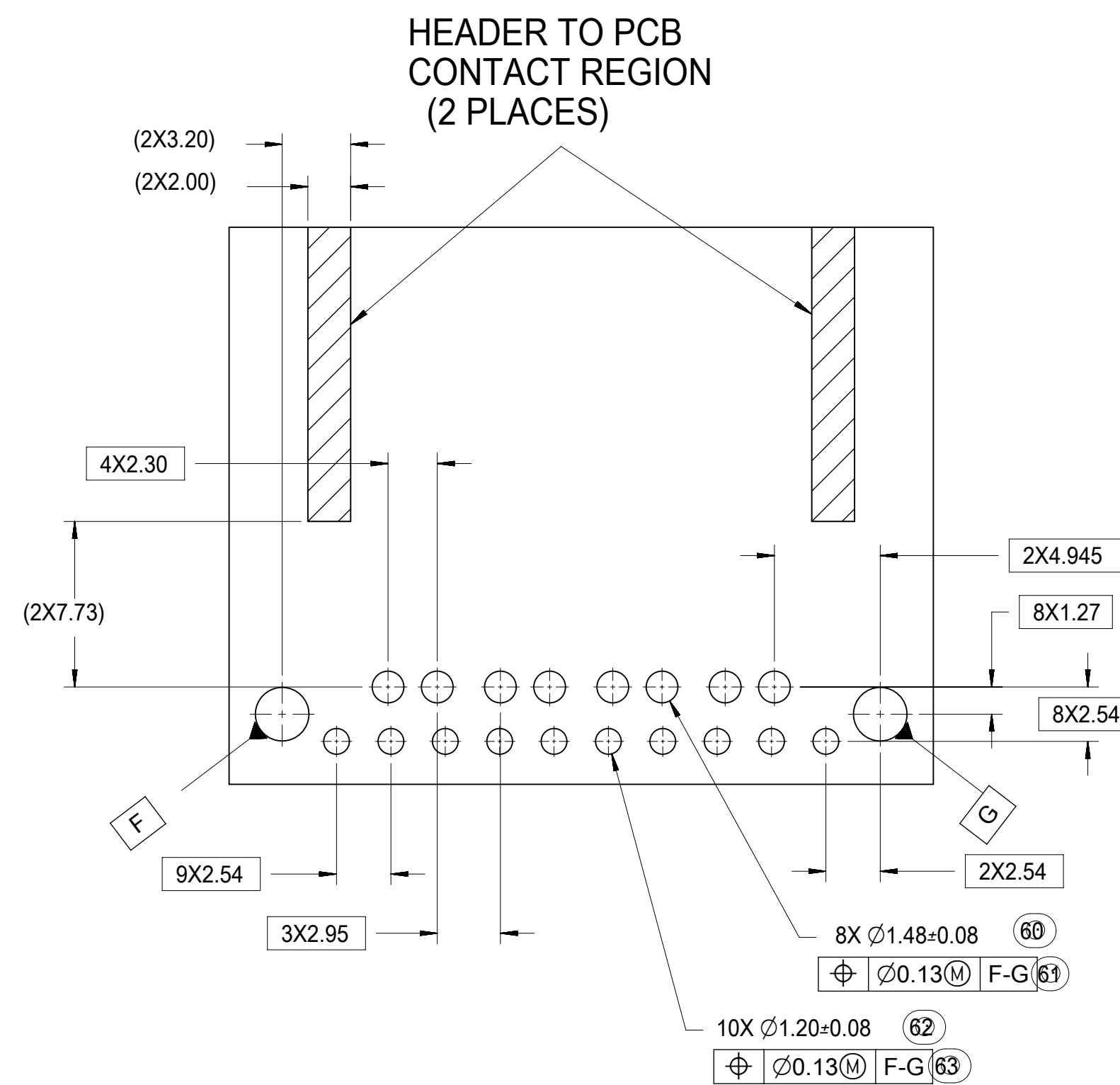
10 CKT HYBRID TEMPLATE PCB LAYOUT



8-20 CKT 0.64mm TEMPLATE PCB LAYOUT



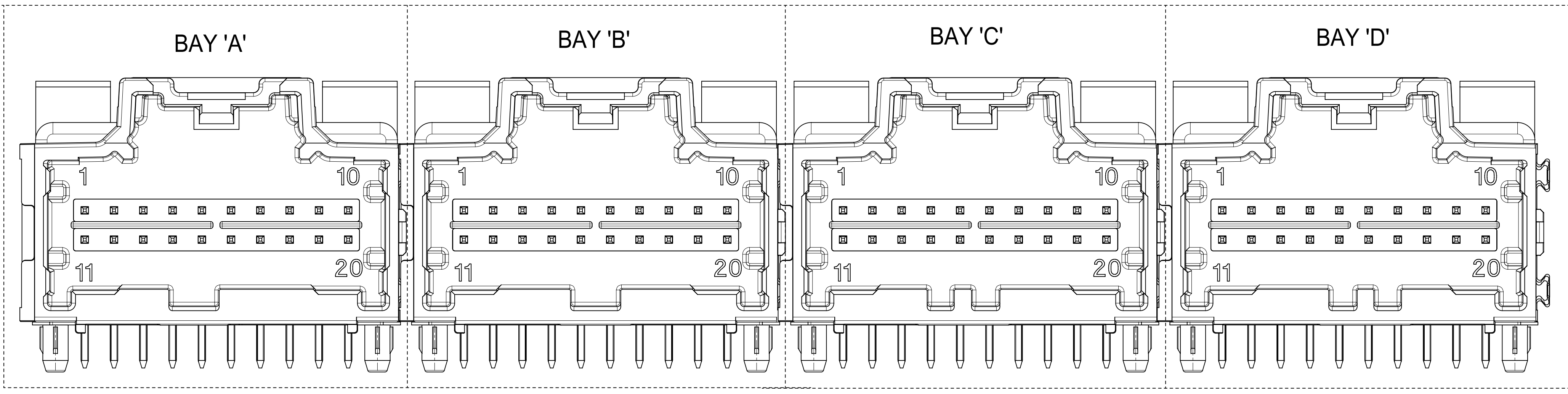
14 CKT HYBRID TEMPLATE PCB LAYOUT



SYMBOLS	THIS DRAWING CONTAINS INFORMATION THAT IS PROPRIETARY TO MOLEX ELECTRONIC TECHNOLOGIES, LLC AND SHOULD NOT BE USED WITHOUT WRITTEN PERMISSION		
	DIMENSION UNITS	SCALE	CURRENT REV DESC:
▽ = 0	mm	1:1	
▽ = 0	GENERAL TOLERANCES (UNLESS SPECIFIED)		
▽ = 0	ANGULAR TOL	± 1.0°	EC NO: 612618
▽ = 0	4 PLACES	±	DRWN: SHANDITHAVAL 2019/02/22
▽ = 0	3 PLACES	±	CHK'D: RBAUMAN 2019/02/23
▽ = 0	2 PLACES	± 0.13	APPR: RBAUMAN 2019/02/23
▽ = 0	1 PLACE	± 0.25	INITIAL REVISION:
⊠ = 0	0 PLACES	±	DRWN: JDUNAJ 2009/03/10
■ = 0	DRAFT WHERE APPLICABLE MUST REMAIN WITHIN DIMENSIONS		
▽ = 0	THIRD ANGLE PROJECTION	DRAWING	SERIES
		D-SIZE	34708
		MATERIAL NUMBER	CUSTOMER
		SD-34708-300	GENERAL MARKET
		DOC TYPE	DOC PART
		PSD	001
		REVISION	U8
		SHEET NUMBER	
		5 OF 6	

TABLE OF CONTENTS	
1	NOTES, INSPECTION BALLOON NUMBER LOG, REV. TABLE, 4 BAY ASSEMBLY VIEW
2	DIMENSIONAL CHART FOR MULTIBAY CONFIGURATION
3	4 BAY ASSEMBLY VIEW, RECOMMENDED PCB LAYOUT, FLUSH MOUNTING VIEW, POST HOLE TABLE, DIMENSION DETAILS
4	8-20CKT 0.64MM HEADER DETAILS, 14CKT HYBRID HEADER DETAILS, 10CKT HYBRID HEADER DETAILS
5	RECOMMENDED SINGLE PCB LAYOUT FOR 10CKT HYBRID, 14CKT HYBRID, AND 8-20CKT 0.64MM

4 BAY STAC64 RIGHT ANGLE HEADER ASSEMBLY (P/N: 34708-4000 SHOWN)



- (P1) NOTES: VALID UNLESS OTHERWISE SPECIFIED**
1. GENERAL:
 - a. CONNECTOR HEADER MUST BE VALIDATED TO THE FOLLOWING FUNCTIONAL REQUIREMENTS:
 PRODUCT SPECIFICATION:
 8-20 CKT 0.64 PRODUCT SPEC: PS-34729-020/PS-31408-100
 10 CKT HYBRID PRODUCT SPEC: PS-31372-100
 14 CKT HYBRID PRODUCT SPEC: PS-34969-100
 - b. APPLICATION REQUIREMENTS (REFERENCE ONLY):
 APPLICATION SPECIFICATION: AS-34729-020/AS-31408-100
 - c. PACKAGING SPECIFICATION PER MOLEX DRAWING PK-31300-892 (TRAY)
 - d. PACKAGING SPECIFICATION PER MOLEX DRAWING PK-31301-063 (TUBE)
 - e. PACKAGING SPECIFICATION PER MOLEX DRAWING PK-31300-894 (ALT TRAY)
 2. DESIGN: MATERIALS:
 - a. SHROUD (PLASTIC HOUSING):
 RESIN - SPS
 - b. 0.64mm PINS:
 BASE MATERIAL: COPPER ALLOY
 PLATING TYPE: AS NOTED
 - 1.50/2.80mm BLADES:
 BASE MATERIAL: COPPER ALLOY
 PLATING TYPE: AS NOTED
 3. PLATING REQUIREMENTS:
 - a. UNDERPLATING - OVERALL NICKEL
 - b. OVERPLATING - OVERALL TIN
 4. FOR DESCRIPTION OF INDIVIDUAL BAYS, REFER TO THE FOLLOWING SINGLE BAY DRAWINGS:
 8-20 CKT 0.64: SD-34691-100
 10 CKT HYBRID: SD-34696-100
 14 CKT HYBRID: SD-34773-100
 5. **G** DENOTES DIMENSIONS THAT MAY BE QUALIFIED WITH A GAUGE.

INSPECTION BALLOON NUMBER LOG	
PER DRAWING REVISION:	P1
LAST BALLOON NUMBER USED:	55
ADDED BALLOON NUMBERS:	
REMOVED BALLOON NUMBERS:	9, 10, 11, 12, 56, 57, 58, 59, 60, 61, 62, 63

FUNCTIONAL SYMBOLS	DIMENSION UNITS	SCALE
$\nabla_A = 0$	mm	4:1
$\nabla_C = 0$	GENERAL TOLERANCES (UNLESS SPECIFIED)	
$\nabla_D = 0$	ANGULAR TOL $\pm 1.0^\circ$	
	4 PLACES	\pm
	3 PLACES	\pm
	2 PLACES	± 0.13
	1 PLACE	± 0.25
	0 PLACES	\pm
	DRAFT WHERE APPLICABLE MUST REMAIN WITHIN DIMENSIONS	

REV.	REV DESCRIPTION	EC#	DATE
P1	1. UPDATED NOTES 2. ADDED NEW P/N 34708-4021 IN SHEET 2	660202	2021.05

THIS DRAWING CONTAINS INFORMATION THAT IS PROPRIETARY TO MOLEX ELECTRONIC TECHNOLOGIES, LLC AND SHOULD NOT BE USED WITHOUT WRITTEN PERMISSION			
CURRENT REV DESC:			
EC NO: 660202		2021/02/04	
DRWN: CZHANG118		2021/04/09	
CHK'D: CZHANG118		2021/05/18	
APPR: JDENG02			
INITIAL REVISION:		2008/11/14	
DRWN: VDANIELE		2008/11/14	
APPR: SMARCEAU			
THIRD ANGLE PROJECTION		DRAWING	
D-SIZE		SERIES	
34708		MATERIAL NUMBER	
GENERAL MARKET		CUSTOMER	
1 OF 5		SHEET NUMBER	

4-BAY STAC64 RIGHT ANGLE
HEADER ASSEMBLY SALES DRAWING

PRODUCT CUSTOMER DRAWING

DOCUMENT NUMBER	DOC TYPE	DOC PART	REVISION
SD-34708-400	PSD	001	P1

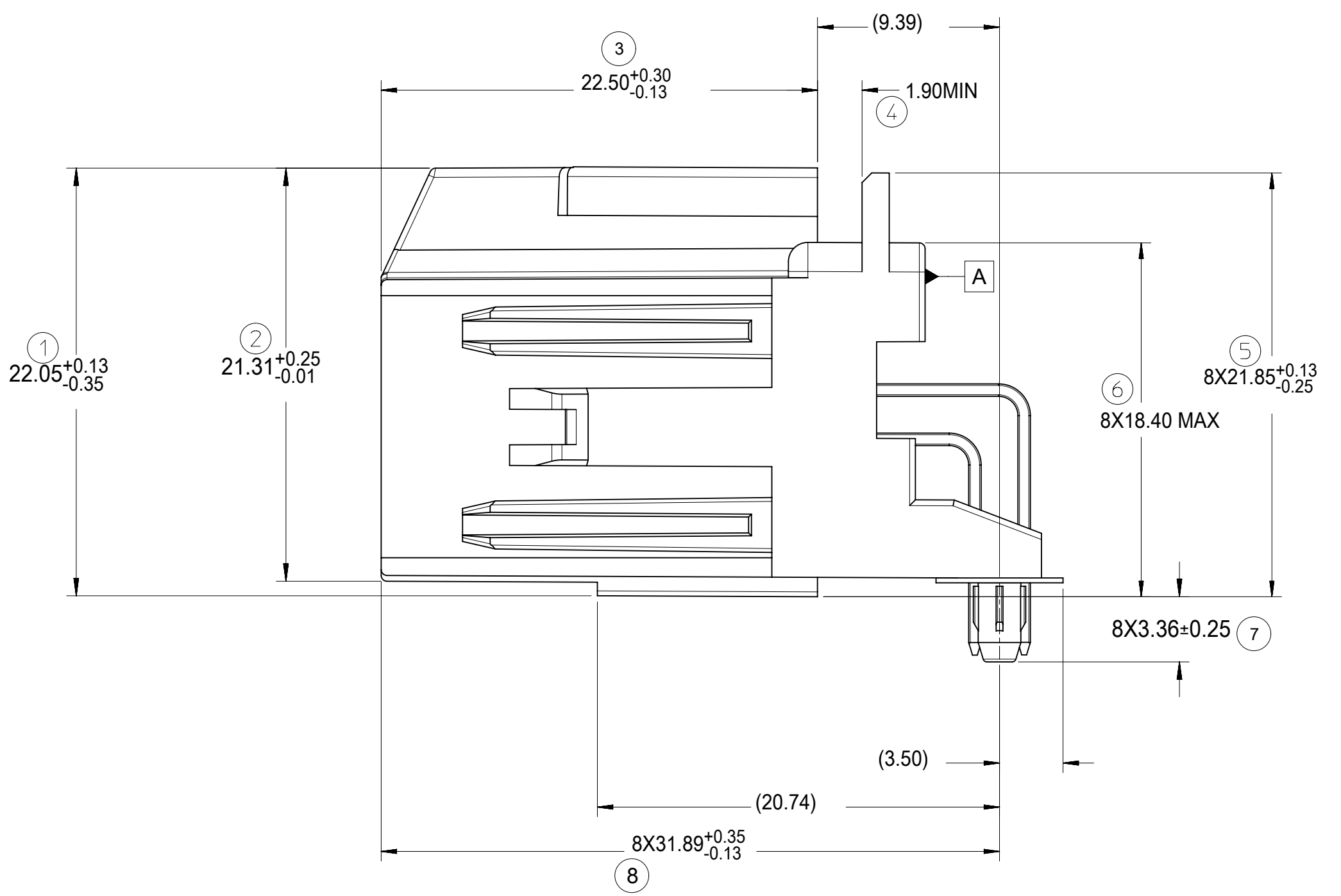
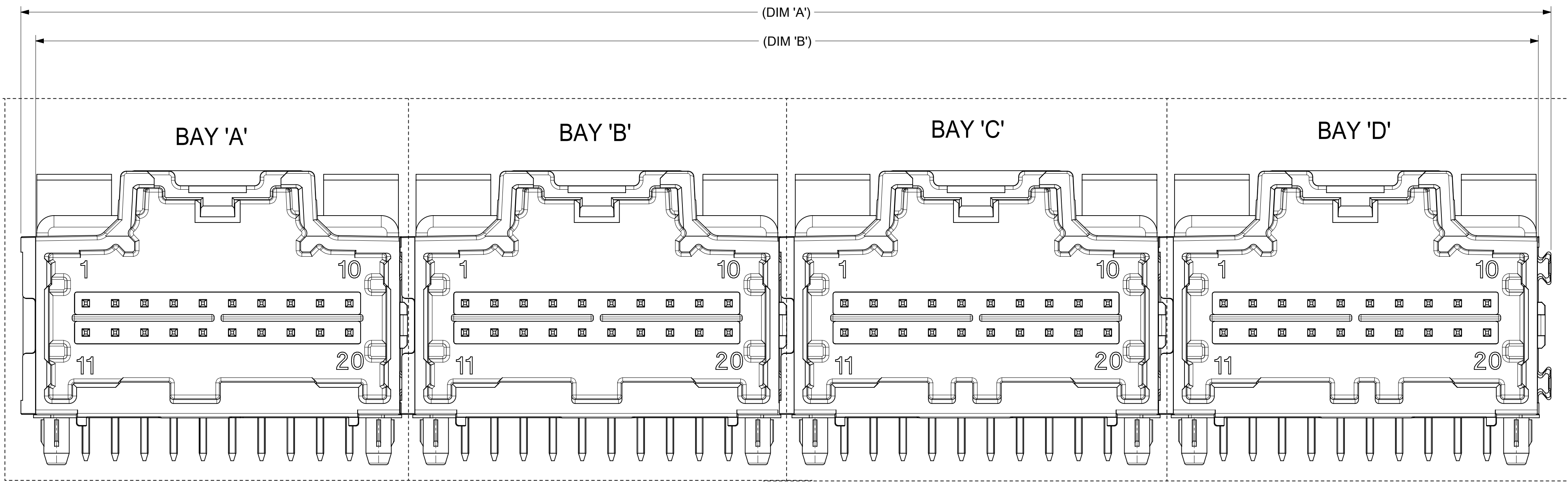
DIMENSIONAL CHART FOR MULTIBAY CONFIGURATION

4 BAY PART NUMBER (ALT TRAY)	4 BAY PART NUMBER (TUBE PKG)	4 BAY PART NUMBER (TRAY PKG)	BAY A			BAY B			BAY C			BAY D			DIM 'A'	DIM 'B'	DIM 'C'	DIM 'D'	DIM 'E'	DIM 'F'
			CKT	TYPE	POL	CKT	TYPE	POL	CKT	TYPE	POL	CKT	TYPE	POL						
TBD	34708-9000	34708-4000	20	0.64mm	A	20	0.64mm	B	20	0.64mm	C	20	0.64mm	D	132.74	130.27	27.94	27.94	27.94	27.94
TBD	TBD	34708-4010	12	0.64mm	A	12	0.64mm	B	16	0.64mm	A	8	0.64mm	A	92.10	89.63	17.78	17.78	22.86	12.70
TBD	TBD	34708-4020	16	0.64mm	B	8	0.64mm	B	16	0.64mm	C	12	0.64mm	C	97.18	94.71	22.86	12.70	22.86	17.78
TBD	TBD	34708-4030	16	0.64mm	A	20	0.64mm	A	12	0.64mm	A	20	0.64mm	B	117.50	115.03	22.86	27.94	17.78	27.94
TBD	TBD	34708-4040	20	0.64mm	B	12	0.64mm	A	20	0.64mm	A	12	0.64mm	C	112.42	109.95	27.94	17.78	27.94	17.78
TBD	TBD	34708-4050	20	0.64mm	A	16	0.64mm	A	8	0.64mm	A	10	HYBRID	A	112.42	109.95	27.94	22.86	12.70	27.94
TBD	TBD	34708-4060	20	0.64mm	C	20	0.64mm	A	20	0.64mm	B	12	0.64mm	A	122.58	120.11	27.94	27.94	27.94	17.78
TBD	TBD	34708-4070	12	0.64mm	A	20	0.64mm	D	20	0.64mm	C	20	0.64mm	A	122.58	120.11	17.78	27.94	27.94	27.94
TBD	TBD	34708-4080	20	0.64mm	B	8	0.64mm	A	20	0.64mm	A	12	0.64mm	A	107.34	104.87	27.94	12.70	27.94	17.78
TBD	TBD	34708-4090	12	0.64mm	A	20	0.64mm	A	20	0.64mm	B	20	0.64mm	C	122.58	120.11	17.78	27.94	27.94	27.94
TBD	TBD	34708-4011	16	0.64mm	B	16	0.64mm	A	8	0.64mm	A	10	HYBRID	A	107.34	104.87	22.86	22.86	12.70	27.94
TBD	TBD	34708-4012	8	0.64mm	B	20	0.64mm	D	12	0.64mm	A	12	0.64mm	C	97.18	94.71	12.70	27.94	17.78	17.78
TBD	34708-9013	34708-4013	16	0.64mm	A	20	0.64mm	B	20	0.64mm	C	20	0.64mm	D	127.66	125.19	22.86	27.94	27.94	27.94
TBD	TBD	34708-4014	8	0.64mm	A	20	0.64mm	C	20	0.64mm	B	10	HYBRID	A	117.50	115.03	12.70	27.94	27.94	27.94
TBD	34708-9015	34708-4015	20	0.64mm	A	20	0.64mm	B	20	0.64mm	C	8	0.64mm	A	117.50	115.03	27.94	27.94	27.94	12.70
TBD	34708-9016	34708-4016	20	0.64mm	A	20	0.64mm	B	20	0.64mm	C	12	0.64mm	A	122.58	120.11	27.94	27.94	27.94	17.78
TBD	TBD	34708-4017	20	0.64mm	D	20	0.64mm	A	20	0.64mm	B	20	0.64mm	C	132.74	130.27	27.94	27.94	27.94	27.94
TBD	TBD	34708-4018	20	0.64mm	C	20	0.64mm	A	20	0.64mm	B	16	0.64mm	A	127.66	125.19	27.94	27.94	27.94	22.86
34708-9519	TBD	34708-4019	10	HYBRID	A	16	0.64mm	C	12	0.64mm	B	20	0.64mm	A	117.50	115.03	27.94	22.86	17.78	27.94
P1 TBD	TBD	34708-4021	10	HYBRID	A	14	HYBRID	A	16	0.64mm	A	20	0.64mm	A	127.66	125.19	27.94	27.94	22.86	27.94

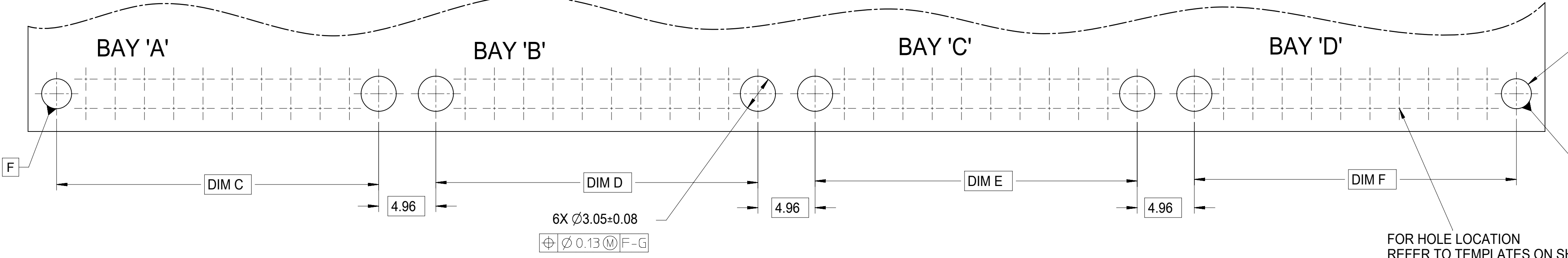
P1

FUNCTIONAL SYMBOLS FA = 0 FC = 0 FD = 0	THIS DRAWING CONTAINS INFORMATION THAT IS PROPRIETARY TO MOLEX ELECTRONIC TECHNOLOGIES, LLC AND SHOULD NOT BE USED WITHOUT WRITTEN PERMISSION		CURRENT REV DESC:		molex
	DIMENSION UNITS mm	SCALE 1:1			
DIVISIONAL SYMBOLS	GENERAL TOLERANCES (UNLESS SPECIFIED)		EC NO: 660202		4-BAY STAC64 RIGHT ANGLE HEADER ASSEMBLY SALES DRAWING
	ANGULAR TOL ± 1.0°		DRWN: CZHANG118 2021/02/04		
	4 PLACES ±		CHK'D: CZHANG118 2021/04/09		
	3 PLACES ±		APPR: JDENG02 2021/05/18		
	2 PLACES ± 0.13		INITIAL REVISION:		
1 PLACE ± 0.25		DRWN: VDANIELE 2008/11/14		SD-34708-400	
0 PLACES ±		APPR: SMARCEAU 2008/11/14			
DRAFT WHERE APPLICABLE MUST REMAIN WITHIN DIMENSIONS		THIRD ANGLE PROJECTION	DRAWING	SERIES	DOCUMENT NUMBER
			D-SIZE	34708	PSD 001 P1
					DOC TYPE DOC PART REVISION
					SD-34708-400 PSD 001 P1
					MATERIAL NUMBER CUSTOMER SHEET NUMBER
					GENERAL MARKET 2 OF 5

TABLE OF CONTENTS				
3	4 BAY ASSEMBLY VIEW, RECOMMENDED PCB LAYOUT, FLUSH MOUNTING VIEW, POST HOLE TABLE, DIMENSION DETAILS			



RECOMMENDED PCB LAYOUT
INSERT NECESSARY BAYS USING CHART ON SHEET 2.



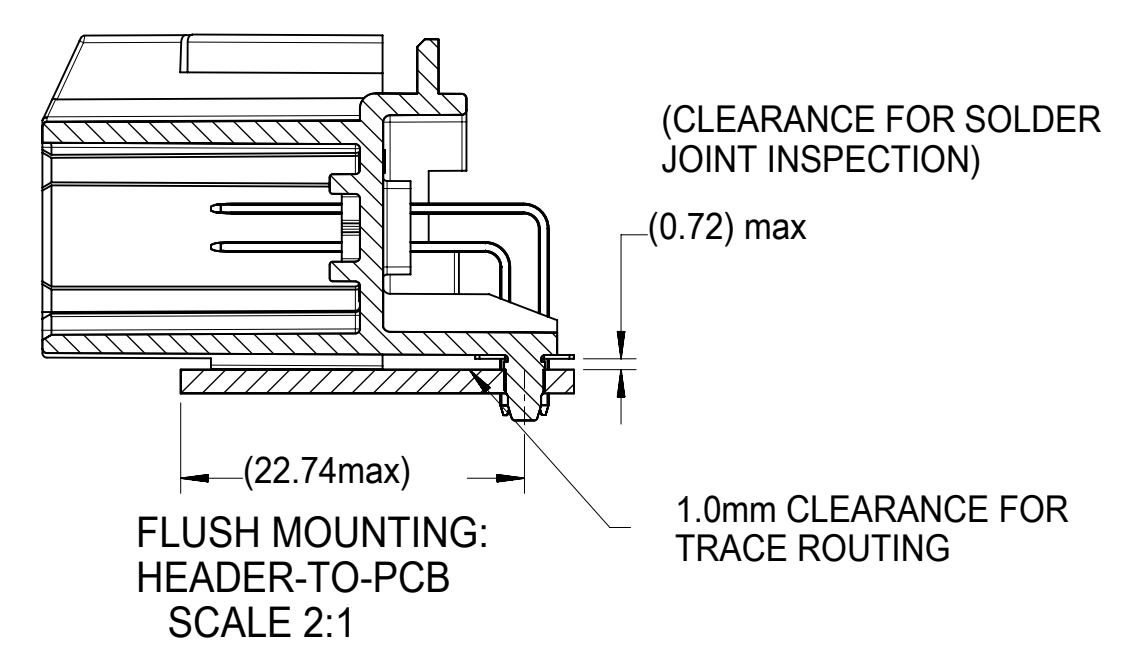
REFER TO POST HOLE TABLE

2X ØZ±0.08
Ø 0.13 (M) F

POST HOLE TABLE:

FOR DIM Z:	
PRESS FIT:	2.60
DROP IN:	3.05

ALL CIRCUIT SIZES



FOR HOLE LOCATION REFER TO TEMPLATES ON SHEET 5

FUNCTIONAL SYMBOLS FA = 0 FE = 0 FP = 0 DIVISIONAL SYMBOLS	THIS DRAWING CONTAINS INFORMATION THAT IS PROPRIETARY TO MOLEX ELECTRONIC TECHNOLOGIES, LLC AND SHOULD NOT BE USED WITHOUT WRITTEN PERMISSION		CURRENT REV DESC:	
	DIMENSION UNITS	SCALE	EC NO: 660202	
	mm	4:1	DRWN: CZHANG118	2021/02/04
	GENERAL TOLERANCES (UNLESS SPECIFIED)		CHK'D: CZHANG118	2021/04/09
ANGULAR TOL ± 1.0°		APPR: JDENG02	2021/05/18	
4 PLACES ±		INITIAL REVISION:		
3 PLACES ±		DRWN: VDANIELE	2008/11/14	
2 PLACES ± 0.13		APPR: SMARCEAU	2008/11/14	
1 PLACE ± 0.25		THIRD ANGLE PROJECTION		
0 PLACES ±		DRAFT WHERE APPLICABLE MUST REMAIN WITHIN DIMENSIONS		
DOCUMENT NUMBER		DRAWING	SERIES	MATERIAL NUMBER
SD-34708-400		D-SIZE	34708	CUSTOMER
DOC TYPE		CUSTOMER		SHEET NUMBER
PSD		GENERAL MARKET		3 OF 5



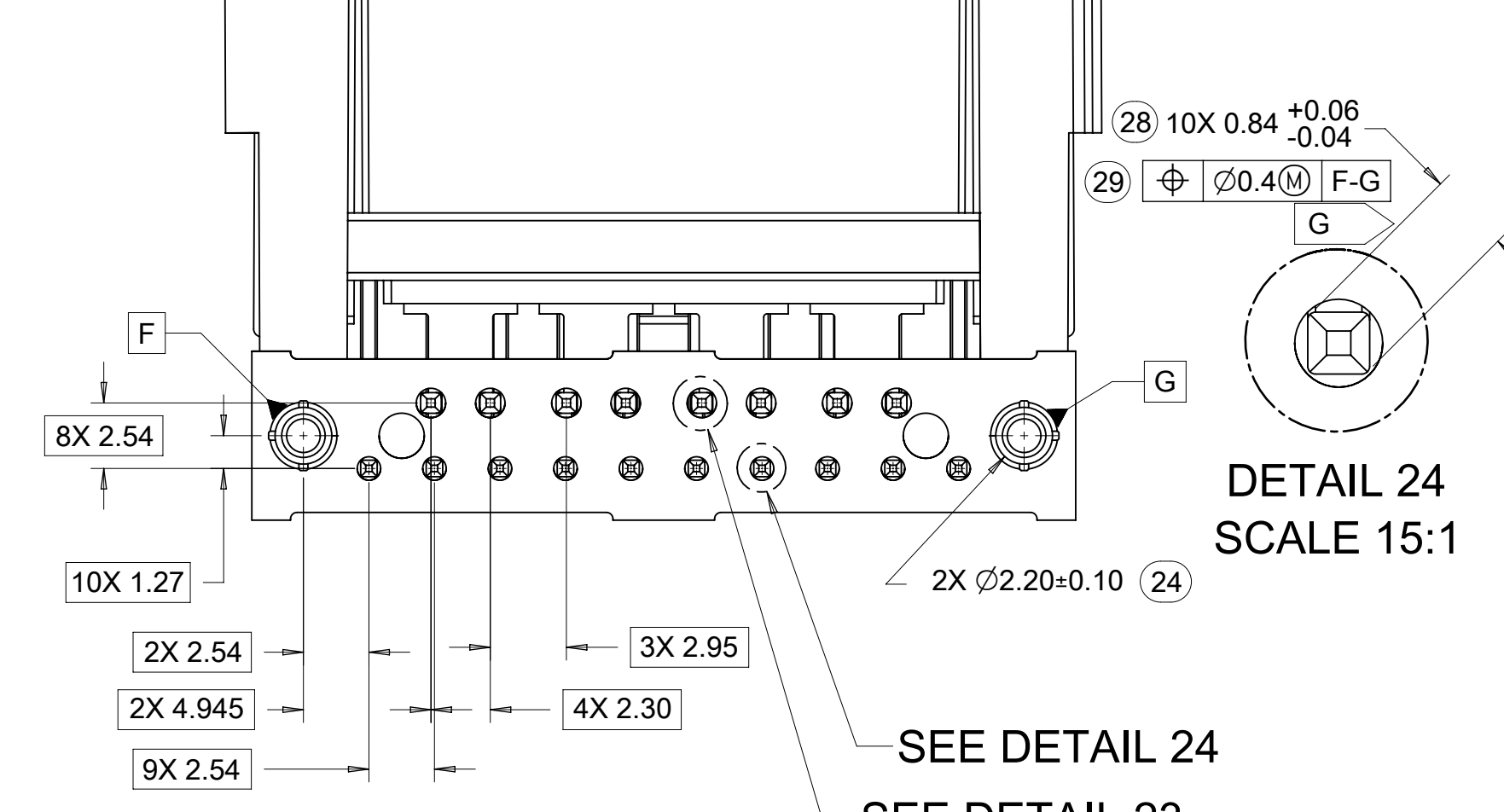
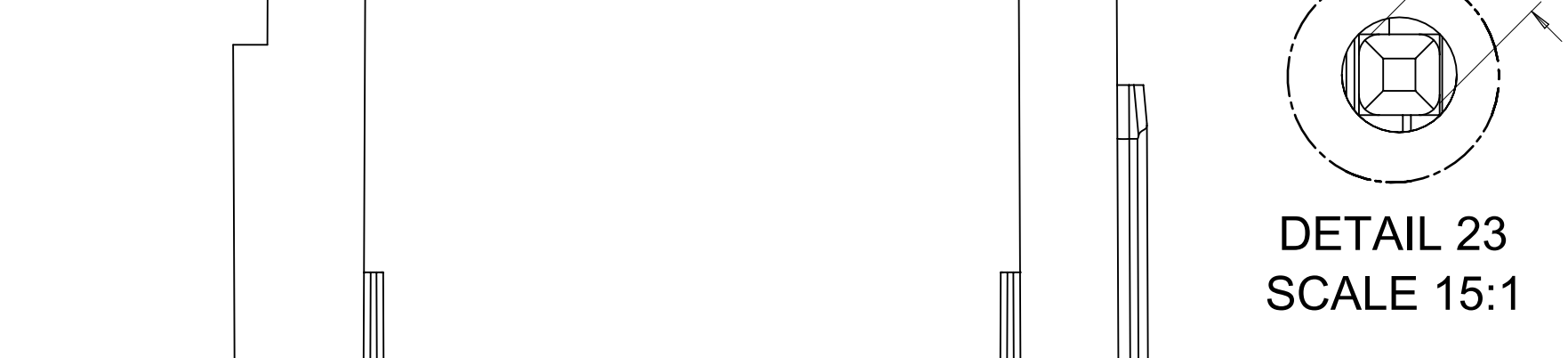
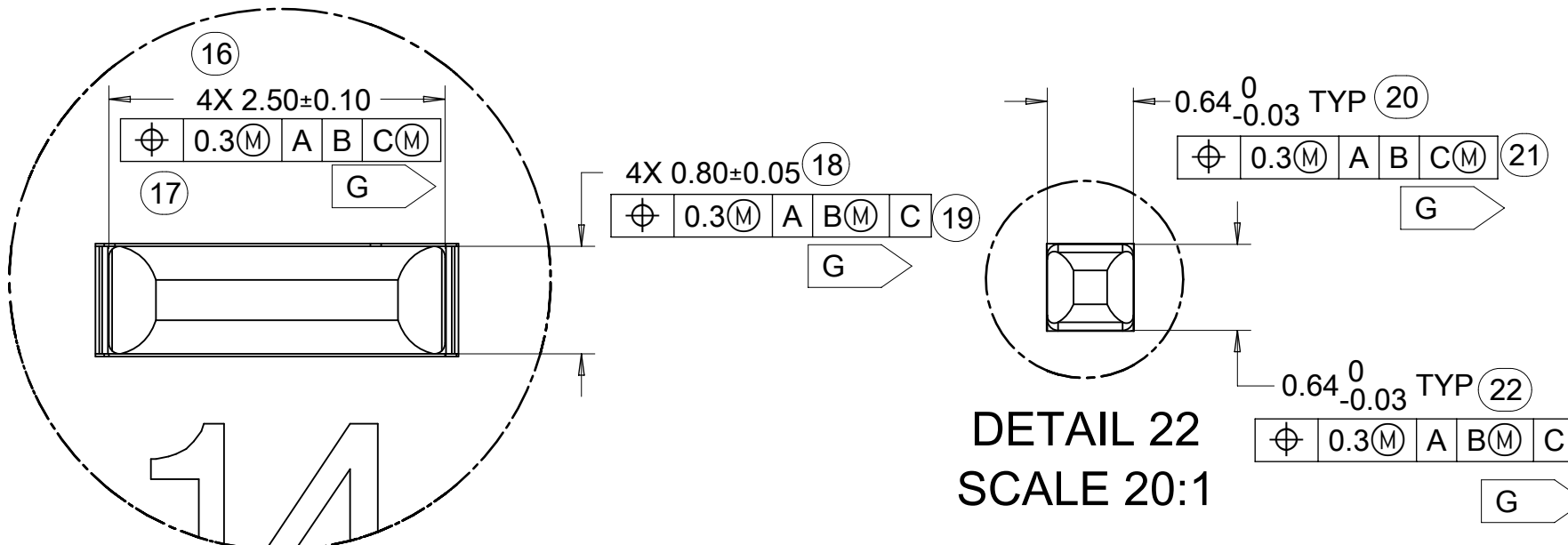
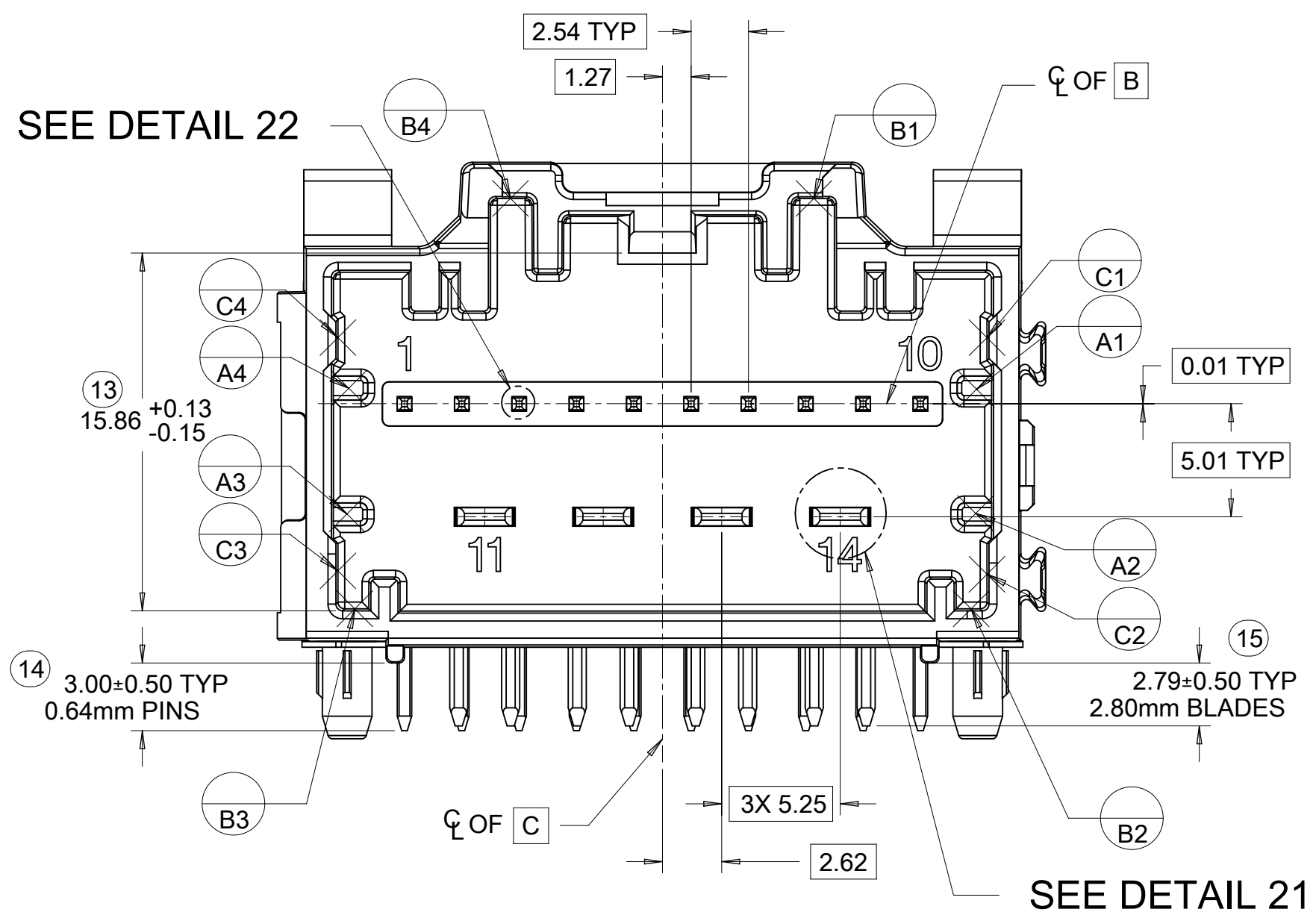
4-BAY STAC64 RIGHT ANGLE HEADER ASSEMBLY SALES DRAWING

PRODUCT CUSTOMER DRAWING

DOCUMENT NUMBER: SD-34708-400, DOC TYPE: PSD, DOC PART: 001, REVISION: P1

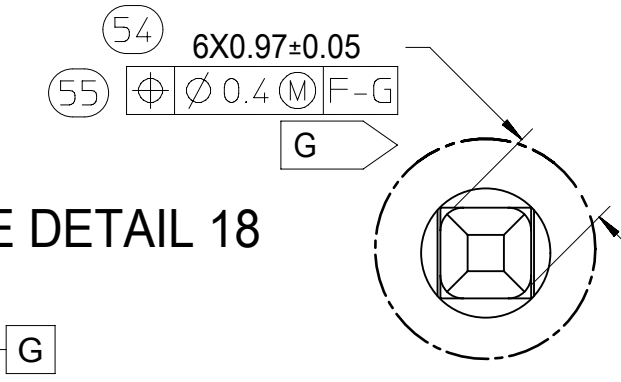
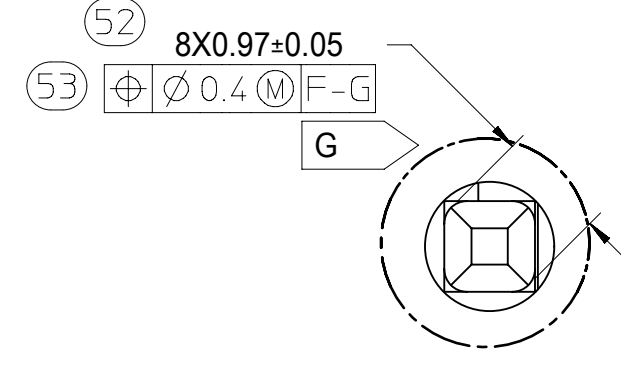
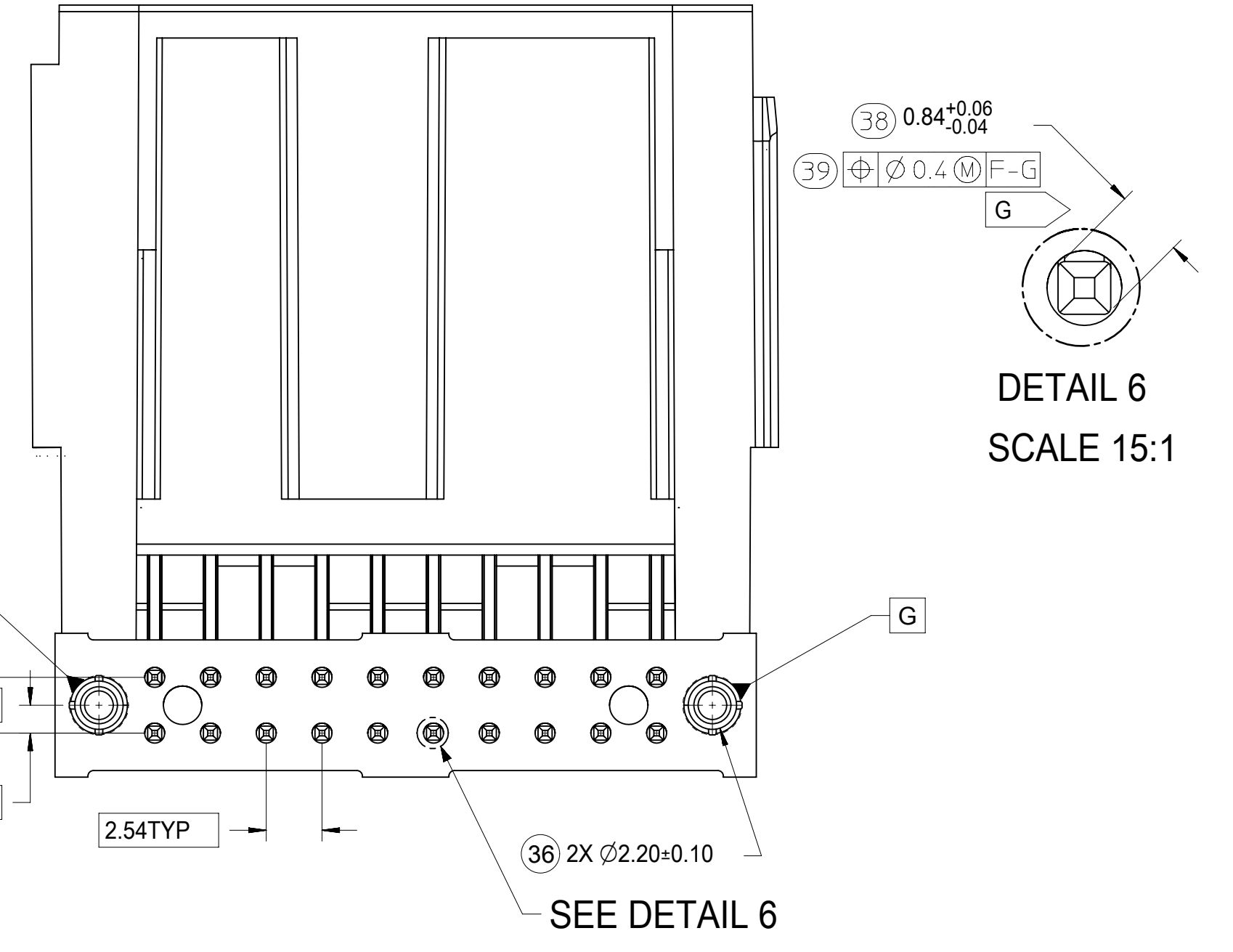
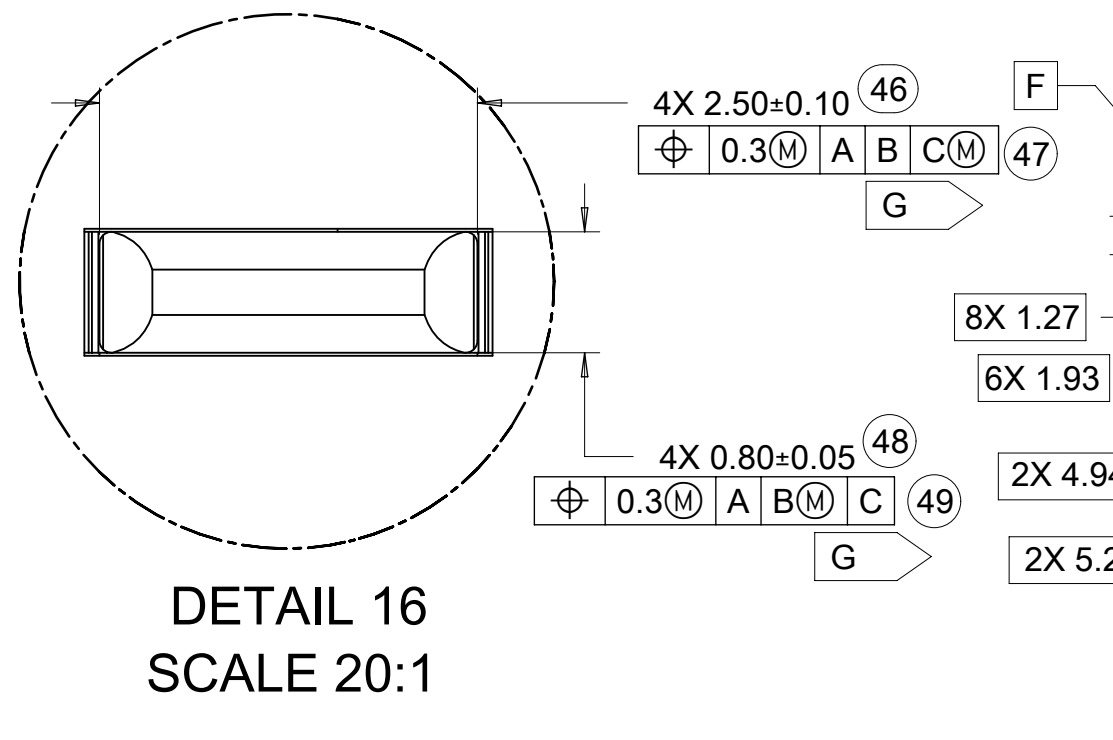
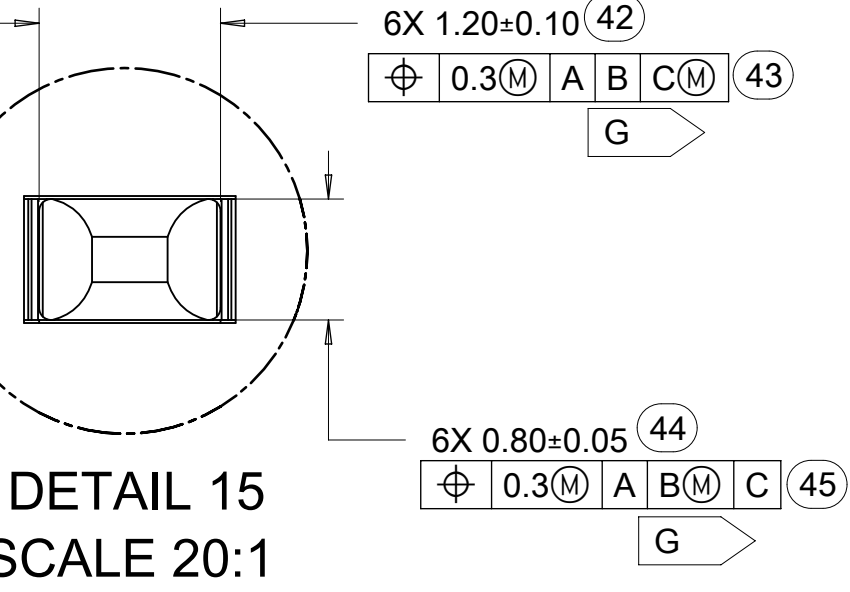
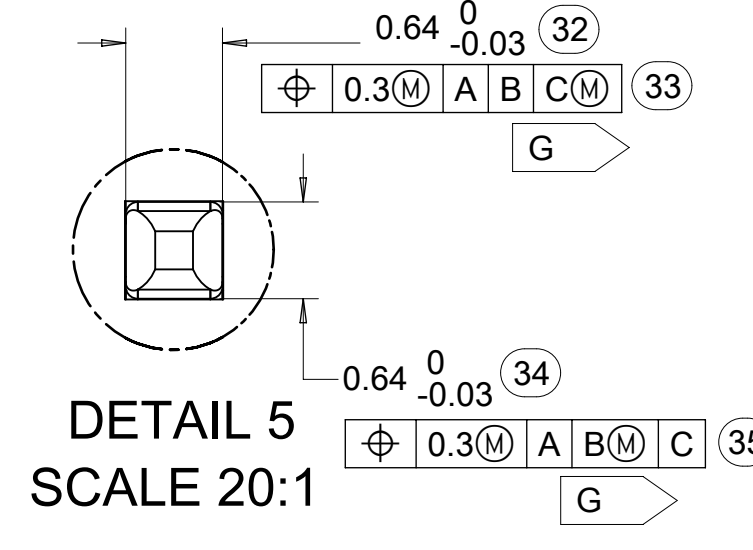
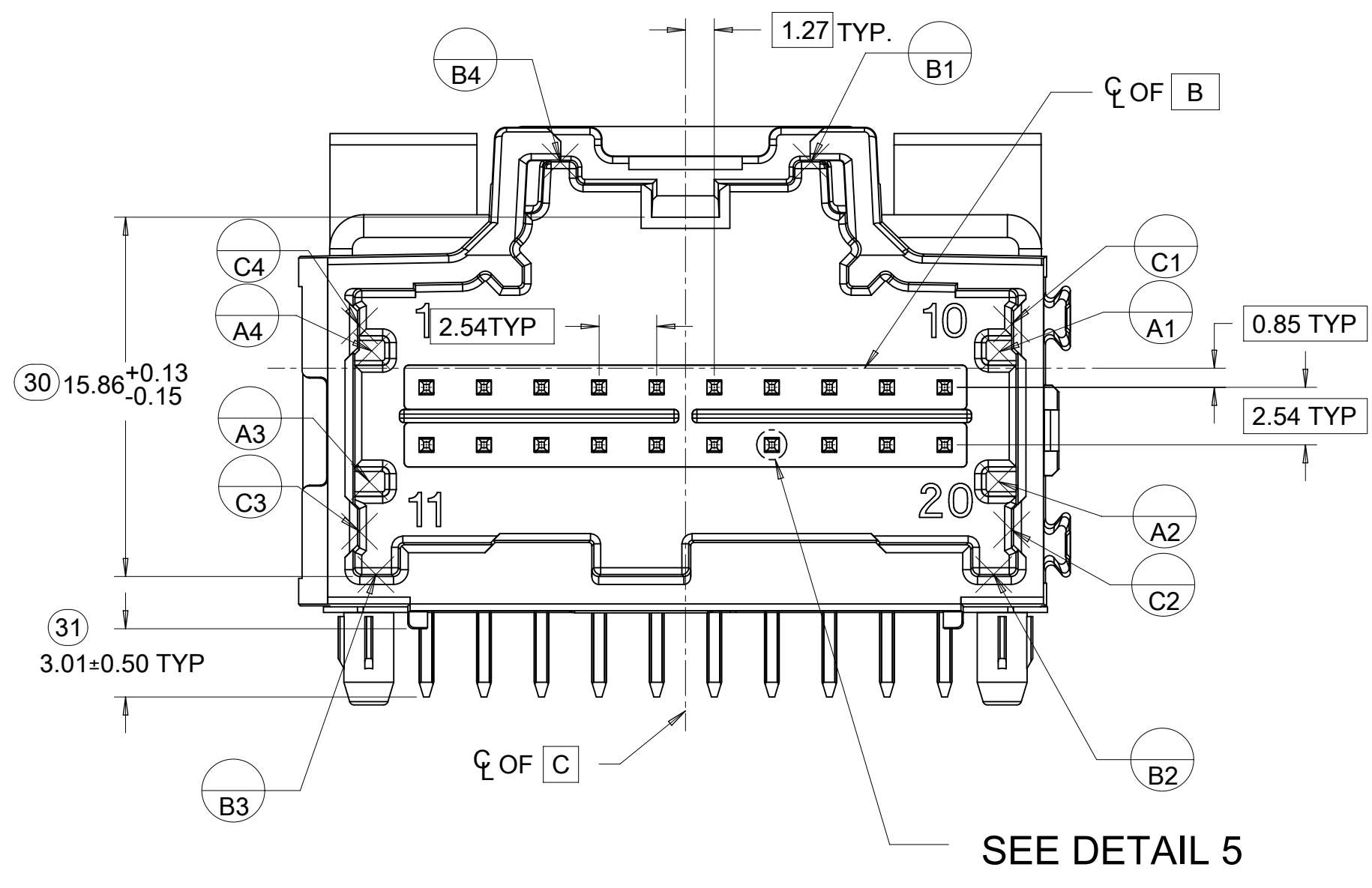
19	18	17	16	15	14	13	12	11	10	9	8	7	6	5	4	3	2	1
TABLE OF CONTENTS																		
8-20CKT 0.64MM HEADER DETAILS, 14CKT HYBRID HEADER DETAILS, 10CKT HYBRID HEADER DETAILS																		

14 CKT HYBRID HEADER DETAILS

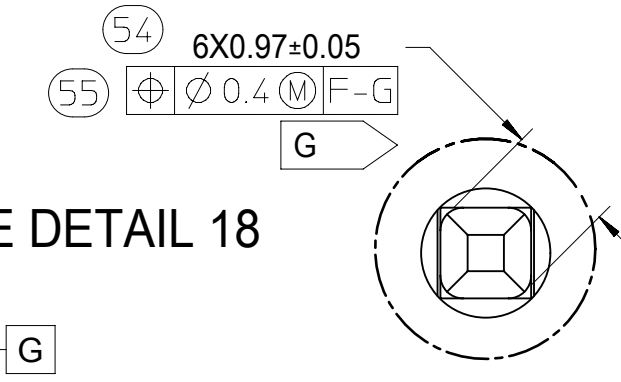
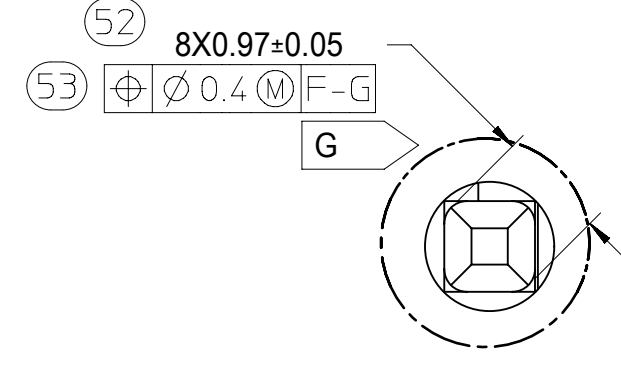
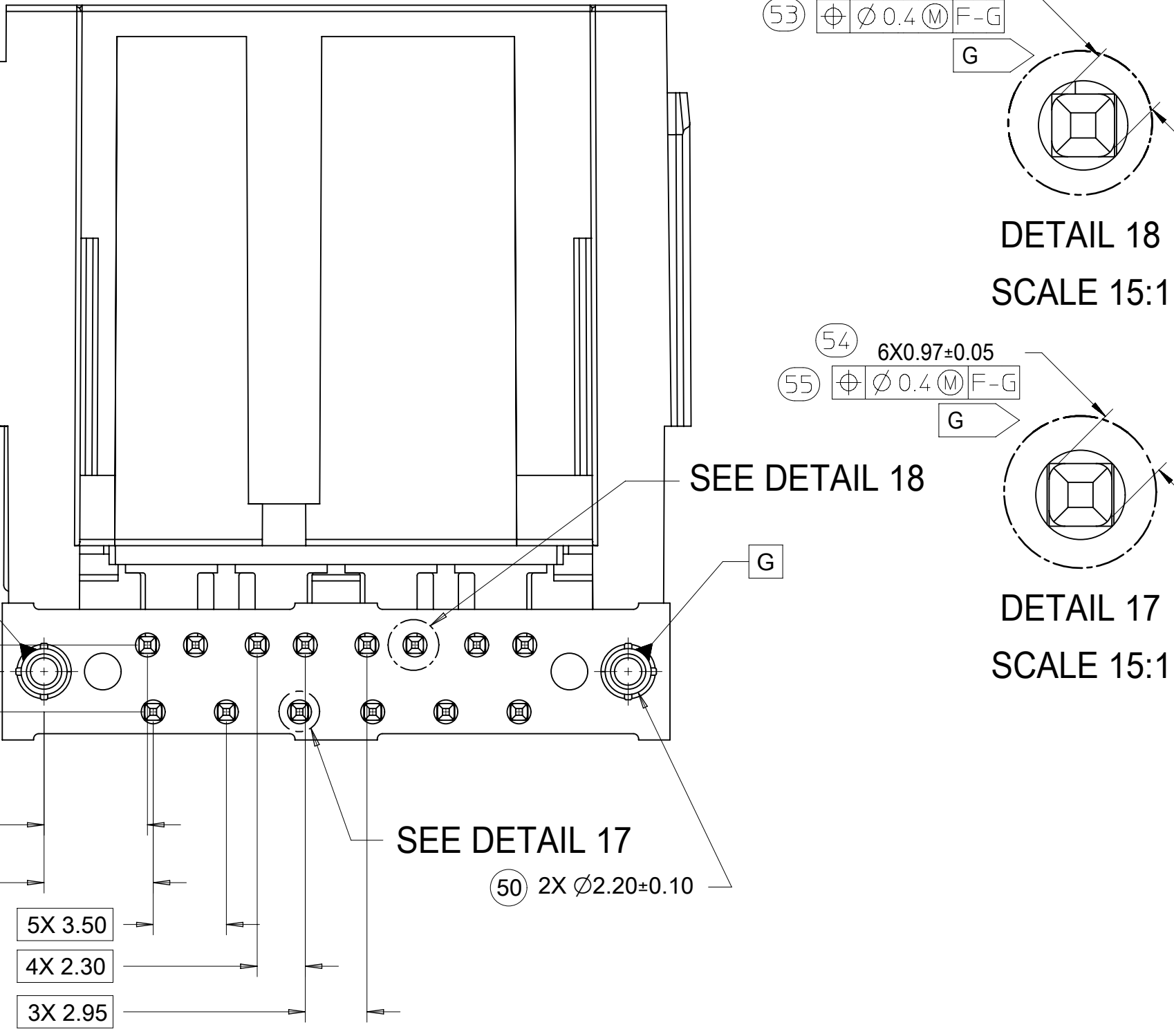
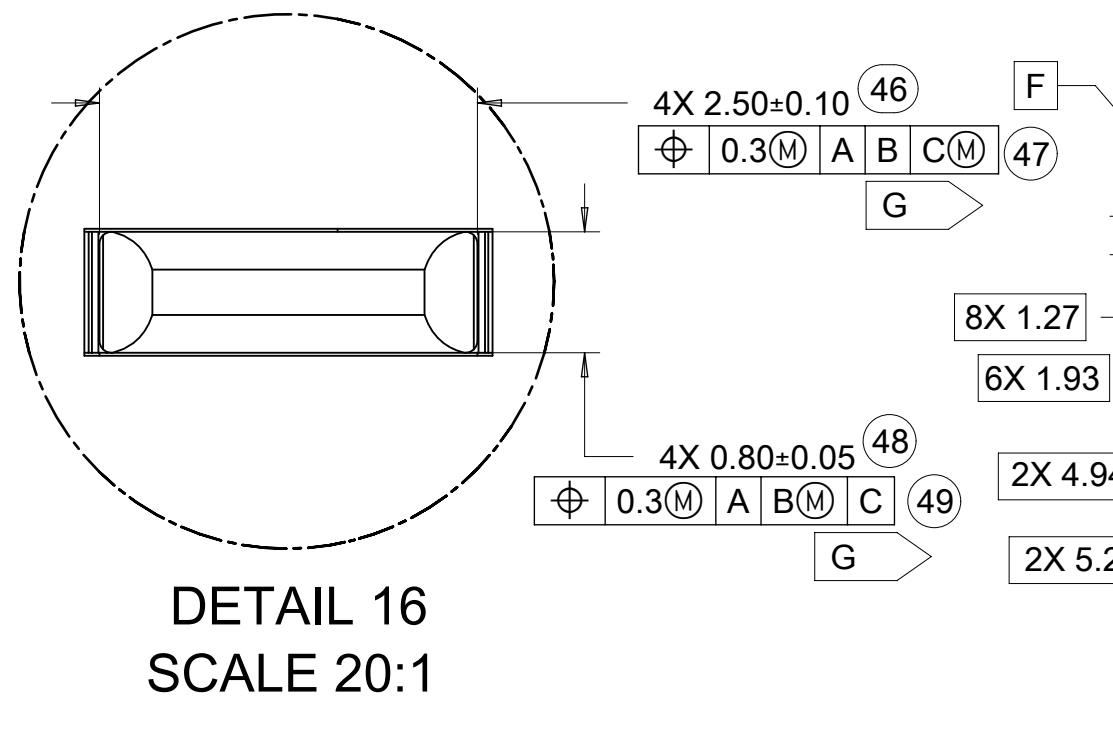
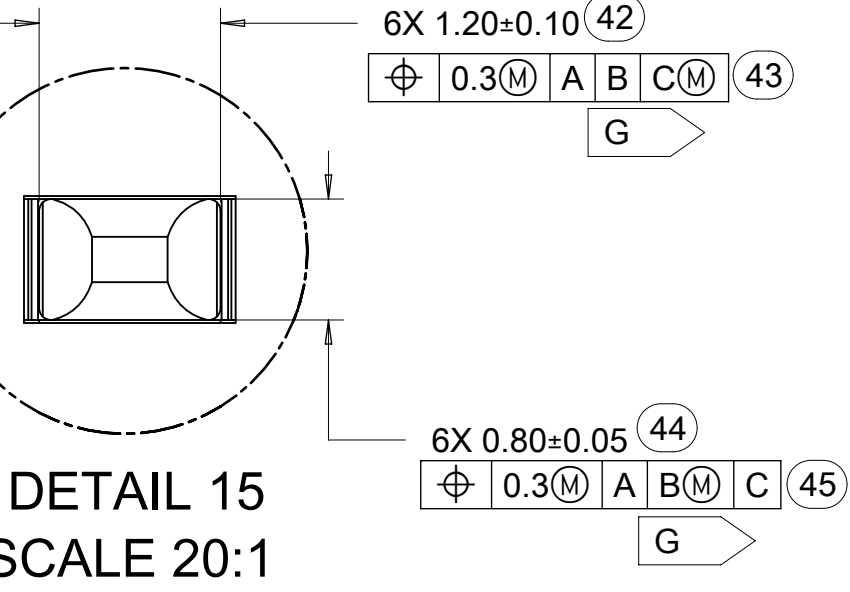
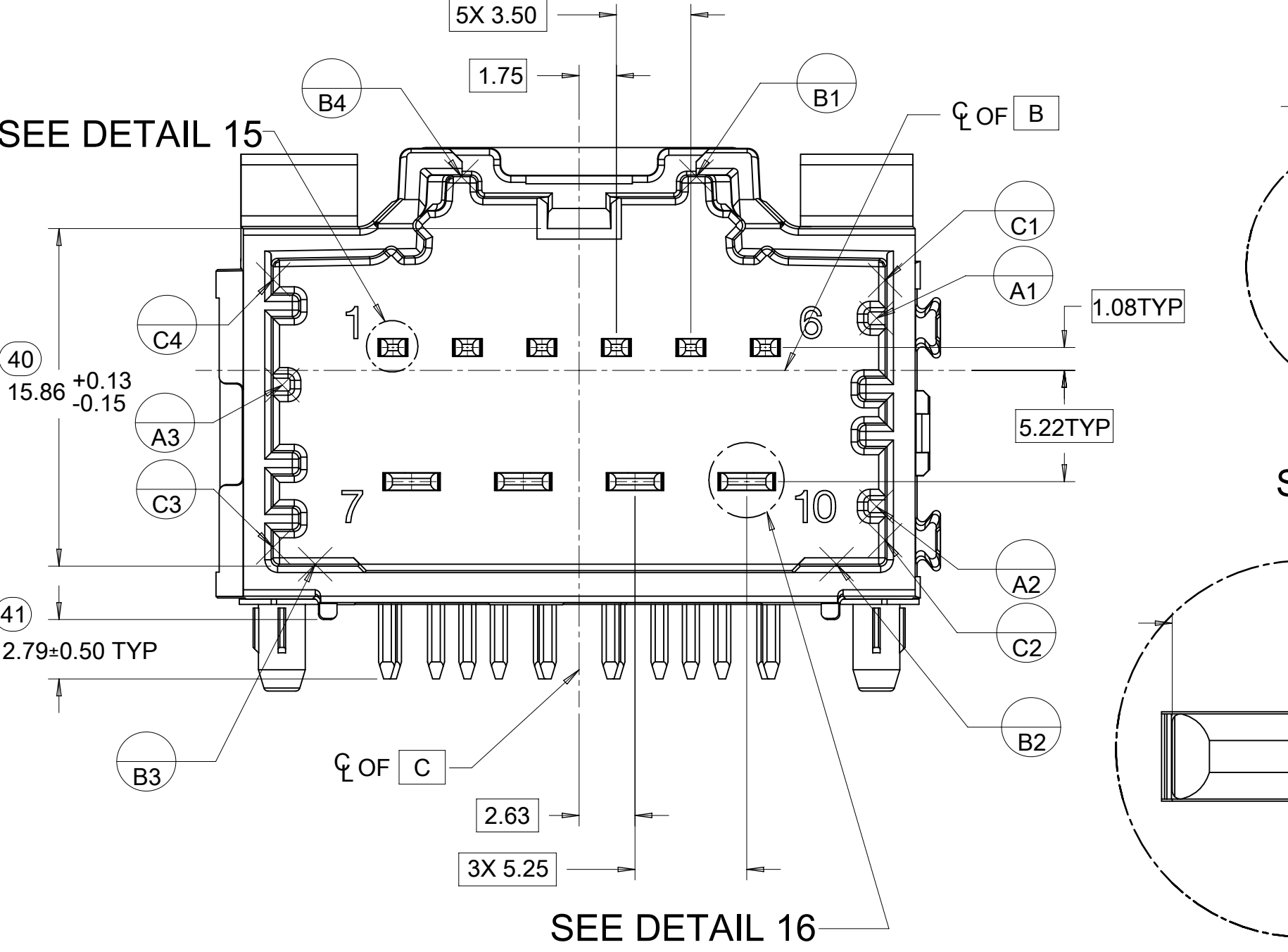


DOCUMENT STATUS	P1	RELEASE DATE	2021/05/18 01:49:26
-----------------	----	--------------	---------------------

8-20CKT STAC 0.64mm HEADER DETAILS

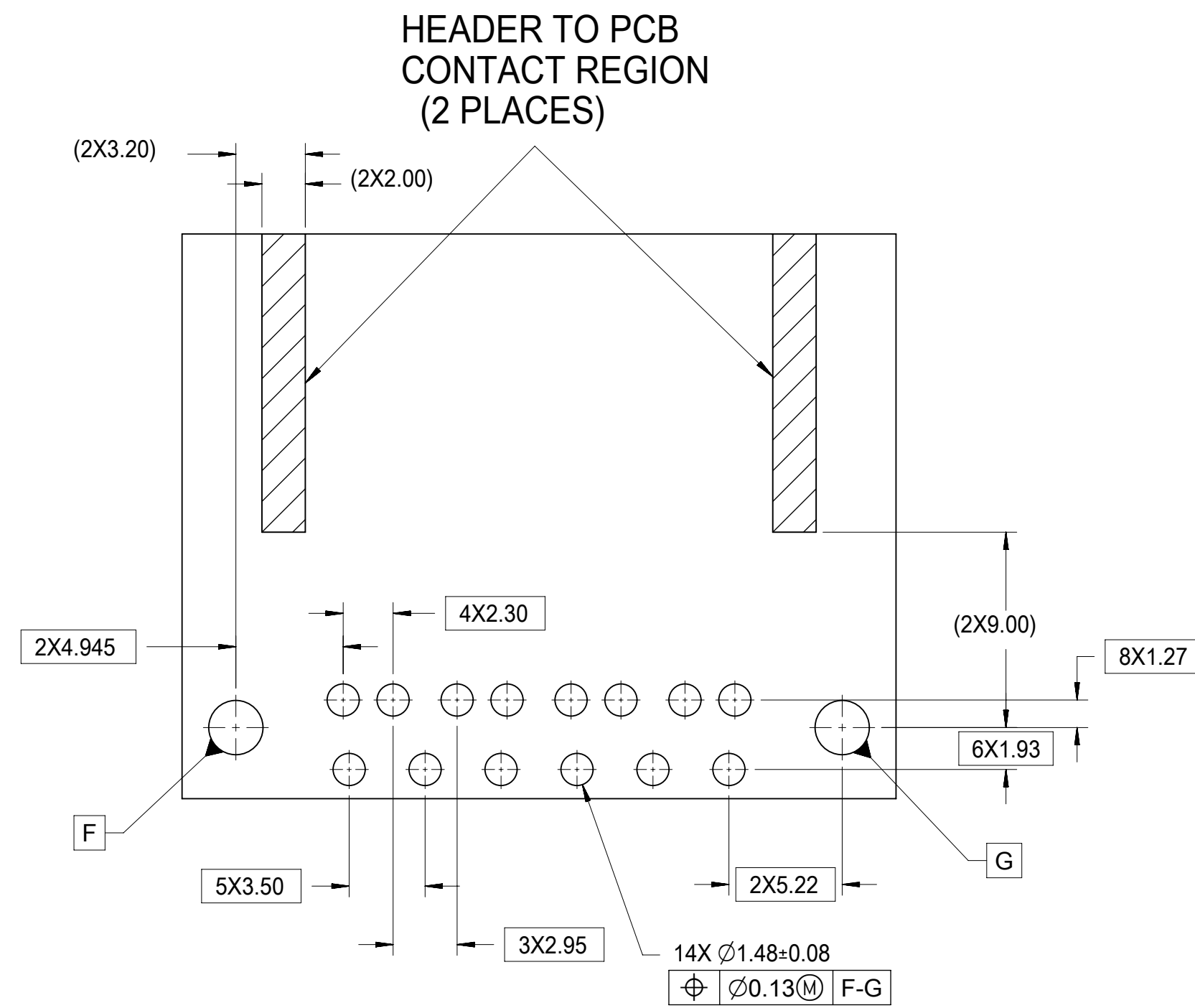


10CKT STAC HYBRID HEADER DETAILS

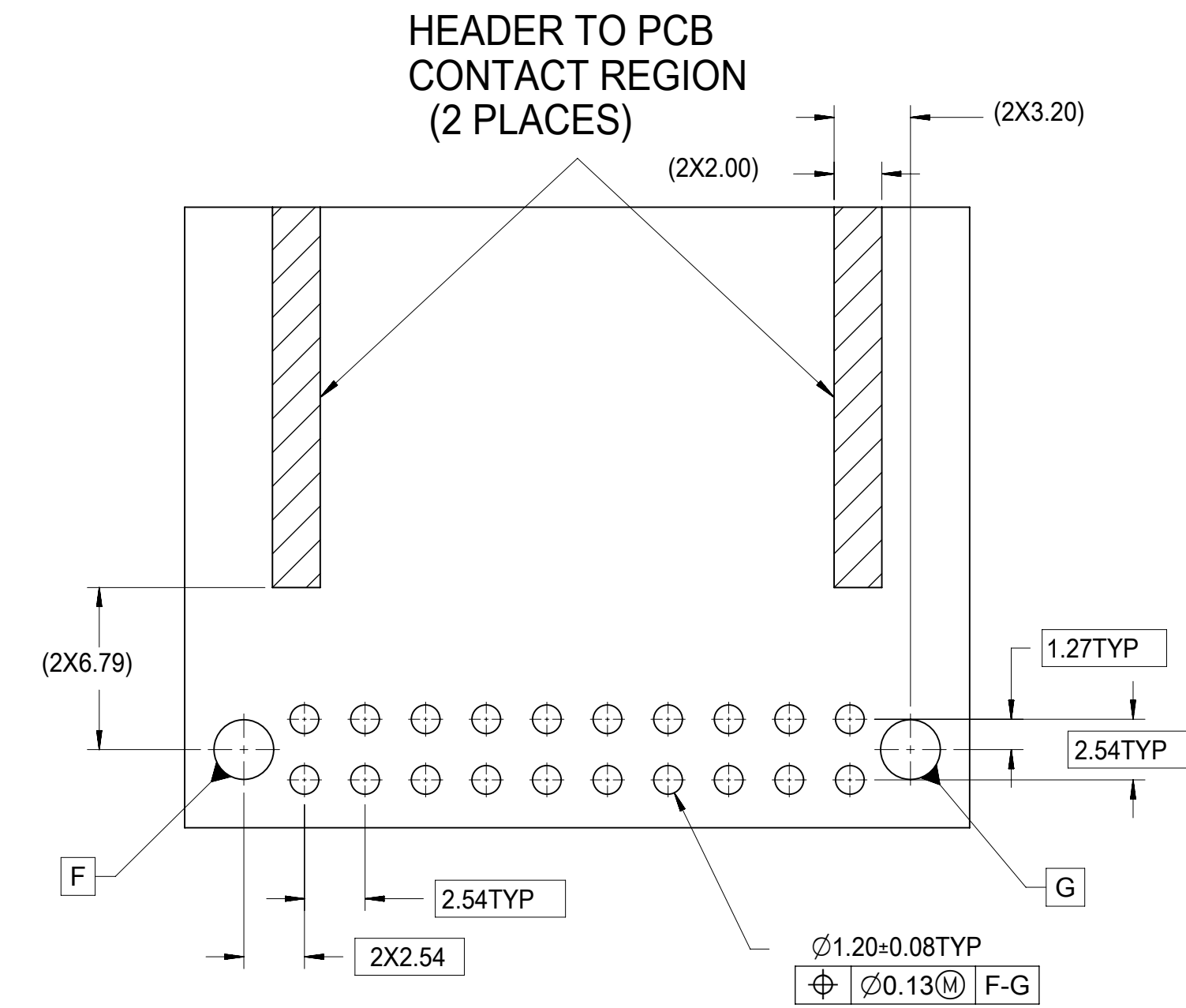


FUNCTIONAL SYMBOLS	THIS DRAWING CONTAINS INFORMATION THAT IS PROPRIETARY TO MOLEX ELECTRONIC TECHNOLOGIES, LLC AND SHOULD NOT BE USED WITHOUT WRITTEN PERMISSION		CURRENT REV DESC:	
	FA = 0	mm		
DIVISIONAL SYMBOLS	GENERAL TOLERANCES (UNLESS SPECIFIED)		EC NO: 660202 DRWN: CZHANG118 2021/02/04 CHK'D: CZHANG118 2021/04/09 APPR: JDENG02 2021/05/18	4-BAY STAC64 RIGHT ANGLE HEADER ASSEMBLY SALES DRAWING
	EA = 0	ANGULAR TOL ± 1.0°		
DIVISIONAL SYMBOLS	EB = 0	4 PLACES	±	PRODUCT CUSTOMER DRAWING DOCUMENT NUMBER: SD-34708-400 DOC TYPE: PSD DOC PART: 001 REVISION: P1
	FC = 0	3 PLACES	±	
		2 PLACES	± 0.13	
		1 PLACE	± 0.25	
FD = 0	0 PLACES	±	INITIAL REVISION: DRWN: VDANIELE 2008/11/14 APPR: SMARCEAU 2008/11/14	
DRAFT WHERE APPLICABLE MUST REMAIN WITHIN DIMENSIONS		THIRD ANGLE PROJECTION	DRAWING D-SIZE	SERIES 34708
		GENERAL MARKET		SHEET NUMBER 4 OF 5

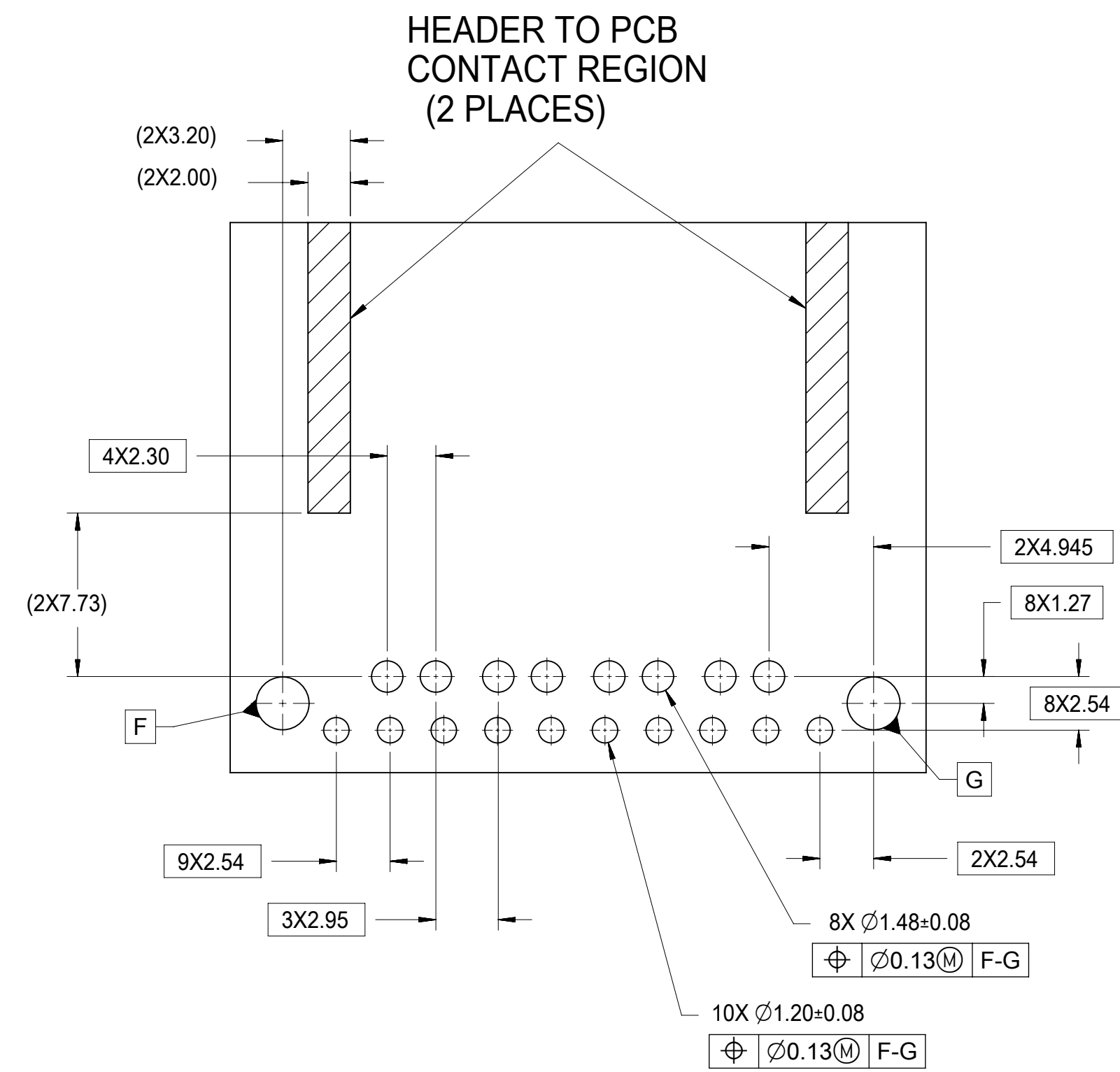
10 CKT HYBRID TEMPLATE PCB LAYOUT



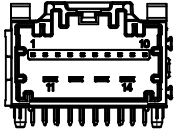
8-20CKT 0.64mm TEMPLATE PCB LAYOUT



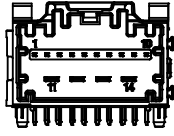
14 CKT HYBRID TEMPLATE PCB LAYOUT



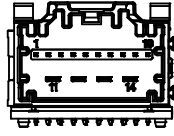
FUNCTIONAL SYMBOLS	THIS DRAWING CONTAINS INFORMATION THAT IS PROPRIETARY TO MOLEX ELECTRONIC TECHNOLOGIES, LLC AND SHOULD NOT BE USED WITHOUT WRITTEN PERMISSION		
	DIMENSION UNITS	SCALE	CURRENT REV DESC:
$\nabla_A = 0$	mm	4:1	
$\nabla_C = 0$	GENERAL TOLERANCES (UNLESS SPECIFIED)		
$\nabla_P = 0$	ANGULAR TOL $\pm 1.0^\circ$		
DIVISIONAL SYMBOLS	4 PLACES	\pm	EC NO: 660202
	3 PLACES	\pm	DRWN: CZHANG118 2021/02/04
	2 PLACES	± 0.13	CHK'D: CZHANG118 2021/04/09
	1 PLACE	± 0.25	APPR: JDENG02 2021/05/18
	0 PLACES	\pm	INITIAL REVISION:
DRAFT WHERE APPLICABLE MUST REMAIN WITHIN DIMENSIONS		THIRD ANGLE PROJECTION	DRAWING SERIES
			D-SIZE 34708
DOCUMENT STATUS		P1	RELEASE DATE
2021/05/18		01:49:26	
DOCUMENT NUMBER		DOC TYPE	DOC PART
SD-34708-400		PSD	001
MATERIAL NUMBER		CUSTOMER	REVISION
		GENERAL MARKET	P1
SHEET NUMBER		5 OF 5	



POLARIZATION OPTION "A"
PN/ 34773-0140



POLARIZATION OPTION "B"
PN/ 34773-0141



POLARIZATION OPTION "C"
PN/ 34773-0142

MATERIAL NUMBER		CKT SIZE	DESCRIPTION	POL	COLOR
TRAY PACKAGING PK-31300-892	TUBE PACKAGING PK-31301-063				
34773-0140	34773-9140	14	STAC64 RIGHT ANGLE HEADER ASSEMBLY MYLAR PAP (4 x 2.8mm + 10 x 0.64mm)	A	BLACK
34773-0141	34773-9141	14	STAC64 RIGHT ANGLE HEADER ASSEMBLY MYLAR PAP (4 x 2.8mm + 10 x 0.64mm)	B	GREY
34773-0142	34773-9142	14	STAC64 RIGHT ANGLE HEADER ASSEMBLY MYLAR PAP (4 x 2.8mm + 10 x 0.64mm)	C	BROWN
34773-1140	34773-8140	14	STAC64 RIGHT ANGLE HEADER ASSEMBLY THERMAVOLT PAP (4 x 2.8mm + 10 x 0.64mm)	A	BLACK
34773-1141	34773-8141	14	STAC64 RIGHT ANGLE HEADER ASSEMBLY THERMAVOLT PAP (4 x 2.8mm + 10 x 0.64mm)	B	GREY
34773-1142	34773-8142	14	STAC64 RIGHT ANGLE HEADER ASSEMBLY THERMAVOLT PAP (4 x 2.8mm + 10 x 0.64mm)	C	BROWN

NOTES: VALID UNLESS OTHERWISE SPECIFIED
1. GENERAL:

a. CONNECTOR HEADER MUST BE VALIDATED TO THE FOLLOWING FUNCTIONAL REQUIREMENTS:

PIN RETENTION = USCAR-2 REV 5

SOLDERABILITY = SMES-152

b. APPLICATION REQUIREMENTS (REFERENCE ONLY) FOR:

SEE APPLICATION SPECIFICATION = TBD

SEE PRODUCT SPECIFICATION = TBD

MATES WITH: 34776-014w/34916-014w/34927-014w/34969-014w

c. PACKAGING SPECIFICATION SEE CHART.

2. DESIGN: MATERIALS:

a. SHROUD (PLASTIC HOUSING):
RESIN - SPS 30%GF

b. 0.64mm BLADES:
BASE MATERIAL: C26000
PLATING TYPE: AS NOTED

2.80mm BLADES:
BASE MATERIAL: C19400
PLATING TYPE: AS NOTED

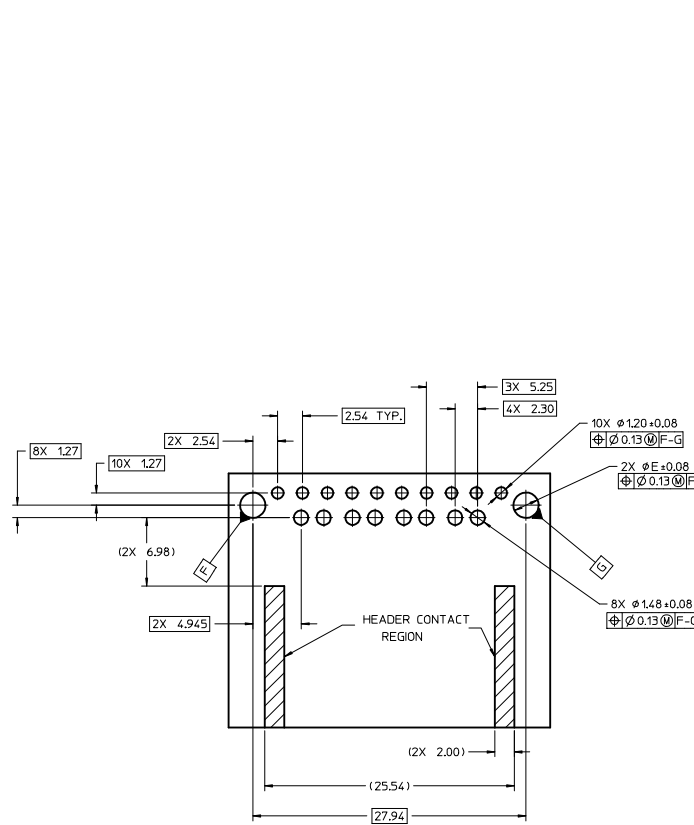
c. PIN ALIGNMENT PLATE : MYLAR OR THERMAVOLT

3. PLATING REQUIREMENTS:

a. UNDERPLATING - OVERALL NICKEL

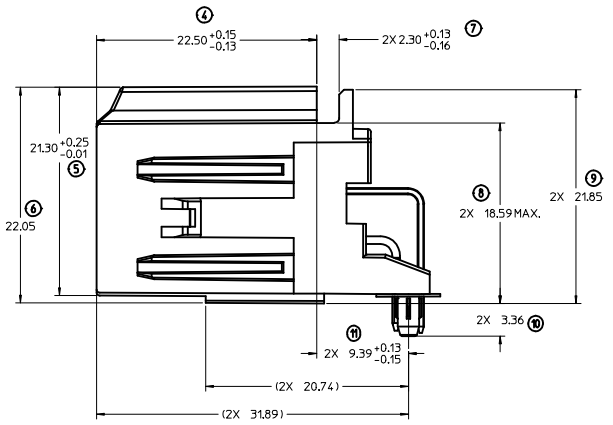
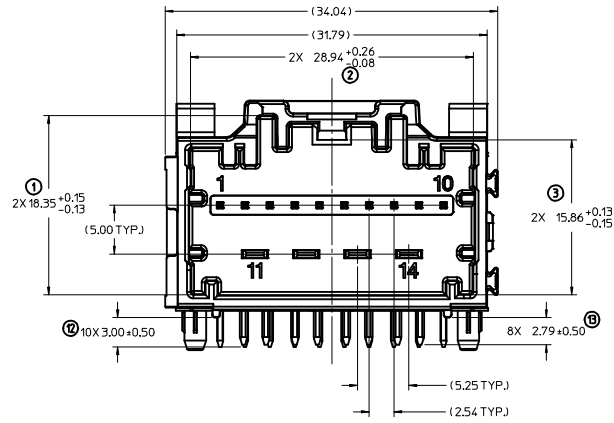
b. OVERPLATING - OVERALL TIN

ENTER DESCRIPTION IEC NO: UAU2017-154 DRWN: FISCHERO1 2017/06/22 CHKD: APPR: RBALMAN 2017/06/28 REV:	QUALITY SYMBOLS	GENERAL TOLERANCES (UNLESS SPECIFIED)	DIMENSION STYLE	SCALE	DESIGN UNITS	THIRD ANGLE PROJECTION
	▽=0	mm INCH	MM ONLY	2:1	METRIC	
	▽=0	4 PLACES ± --- ± ---	DRAWN BY DATE	TITLE		
	▽=0	3 PLACES ± --- ± ---	LSONG05 2011/01/13	STAC64 SINGLE BAY RIGHT ANGLE ASSEMBLY 14 CKT HYBRID		
	2 PLACES ± 0.13 ± ---	CHECKED BY DATE	DOCUMENT NO.			SHEET NO.
	1 PLACE ± 0.25 ± ---	VDANIELE 2011/01/13	SD-34773-010			1 OF 2
	0 PLACE ± ±	APPROVED BY DATE	MATERIAL NO.			
		SMARCEAU 2011/01/28	SEE TABLE			
			DRAFT WHERE APPLICABLE MUST REMAIN WITHIN DIMENSIONS			
			THIS DRAWING CONTAINS INFORMATION THAT IS PROPRIETARY TO MOLEX INCORPORATED AND SHOULD NOT BE USED WITHOUT WRITTEN PERMISSION			

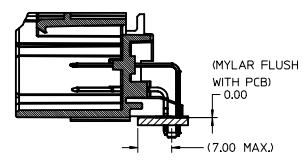


POST HOLE TABLE

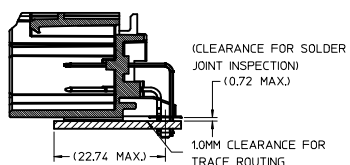
	DIM E
PRESS FIT	$\phi 2.60$
DROP IN	$\phi 3.05$



RECOMMENDED PCB LAYOUT



PANEL MOUNTING SCALE 2:1



FLUSH MOUNTING SCALE 2:1

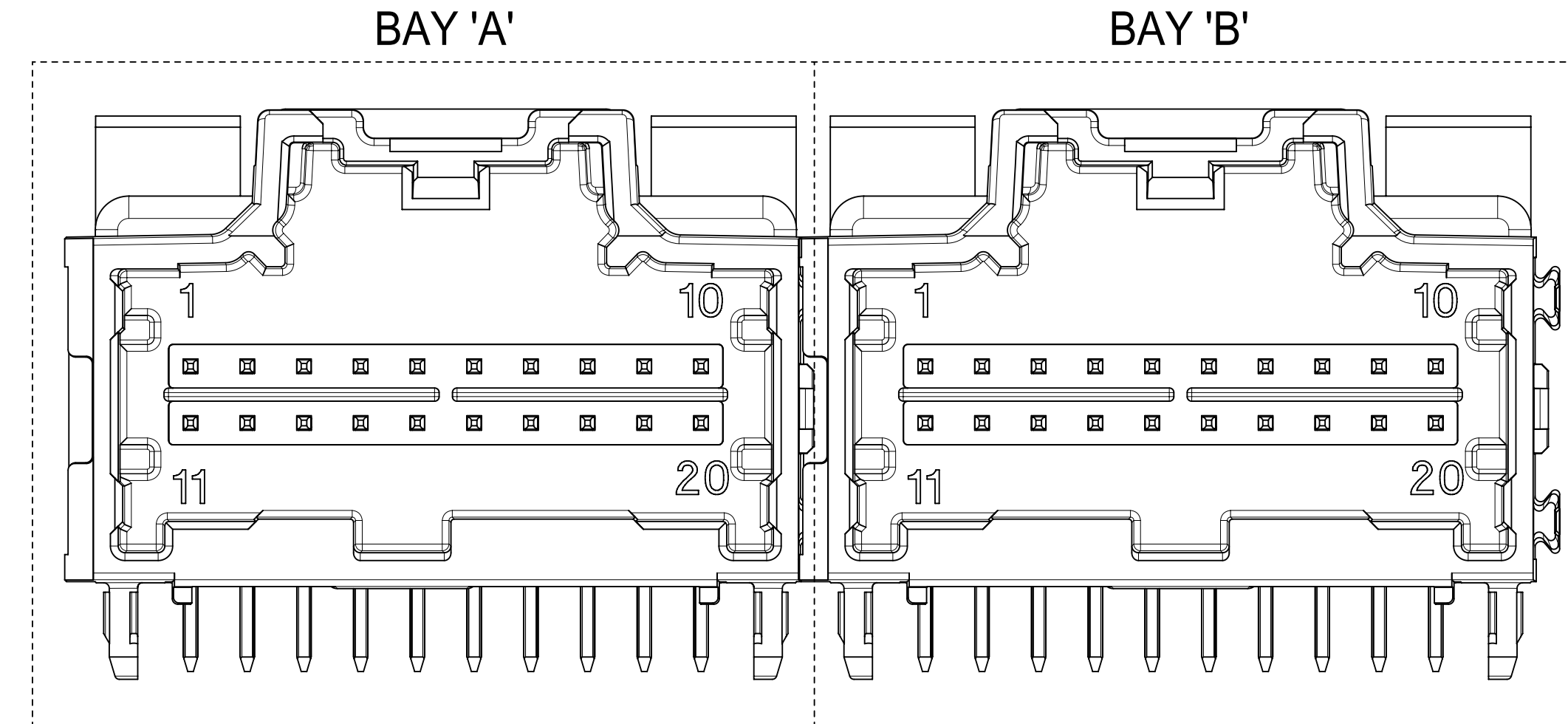
* RECOMMENDED FOR PIN THROUGH PASTE REFLOW PROCESSING

ENTER DESCRIPTION IEC NO: UAU2017-154 DRAWN: FISCHER01 2017/06/22 CHKD: APPR: RBALMAN 2017/06/28 REV:	QUALITY SYMBOLS ▽=0 ▽=0 ▽=0		GENERAL TOLERANCES (UNLESS SPECIFIED) mm INCH 4 PLACES ± --- ± --- 3 PLACES ± 0.13 ± --- 2 PLACES ± 0.25 ± --- 1 PLACE ± ± --- 0 PLACE ± ± --- ANGULAR ± 3 ° DRAFT WHERE APPLICABLE MUST REMAIN WITHIN DIMENSIONS		DIMENSION STYLE MM ONLY DRAWN BY DATE LSONGOS 2011/01/13 CHECKED BY DATE VDANIELE 2011/01/13 APPROVED BY DATE SMARCEAU 2011/01/28		SCALE DESIGN UNITS 4:1 METRIC THIRD ANGLE PROJECTION		TITLE STAC64 SINGLE BAY RIGHT ANGLE ASSEMBLY 14 CKT HYBRID molex		MATERIAL NO. DOCUMENT NO. SEE SHEET 1 SD-34773-010		SHEET NO. 2 OF 2	
	THIS DRAWING CONTAINS INFORMATION THAT IS PROPRIETARY TO MOLEX INCORPORATED AND SHOULD NOT BE USED WITHOUT WRITTEN PERMISSION													

DIMENSIONAL CHART FOR MULTIBAY CONFIGURATION:

2 BAY PART NUMBER (TUBE PKG)	2 BAY PART NUMBER (TRAY PKG)	BAY A			BAY B			DIM 'A'	DIM 'B'	DIM 'C'	DIM 'D'
		CKT	TYPE	POL	CKT	TYPE	POL				
34997-7000	34997-2000	20	0.64mm	A	20	0.64mm	B	66.94	64.47	27.94	27.94
34997-7001	34997-2001	20	0.64mm	C	8	0.64mm	A	51.70	49.23	27.94	12.70
34997-7002	34997-2002	20	0.64mm	C	12	0.64mm	A	56.78	54.31	27.94	17.78
TBD	34997-2003	8	0.64mm	A	10	HYBRID	A	51.70	49.23	12.70	27.94
TBD	34997-2004	12	0.64mm	A	8	0.64mm	A	41.54	39.07	17.78	12.70
TBD	34997-2005	20	0.64mm	C	20	0.64mm	B	66.94	64.47	27.94	27.94
TBD	34997-2006	10	HYBRID	A	20	0.64mm	A	66.94	64.47	27.94	27.94
TBD	34997-2007	12	0.64mm	A	8	0.64mm	B	41.54	39.07	17.78	12.70
TBD	34997-2008	20	0.64mm	A	16	0.64mm	C	61.86	59.39	27.94	22.86
TBD	34997-2009	20	0.64mm	A	16	0.64mm	A	56.78	54.31	27.94	17.78
34997-7010	34997-2010	20	0.64mm	A	8	0.64mm	A	51.70	49.23	27.94	12.70
34997-7011	34997-2011	20	0.64mm	B	8	0.64mm	A	51.70	49.23	27.94	12.70
TBD	34997-2012	12	0.64mm	A	12	0.64mm	C	46.62	44.15	17.78	17.78
34997-7013	34997-2013	20	0.64mm	B	20	0.64mm	C	66.94	64.47	27.94	27.94
34997-7014	34997-2014	10	HYBRID	B	10	HYBRID	A	66.94	64.47	27.94	27.94
TBD	34997-2015	12	0.64mm	B	16	0.64mm	A	51.70	49.23	17.78	22.86
34997-7016	34997-2016	10	HYBRID	B	20	0.64mm	A	66.94	64.47	27.94	27.94
34997-7017	34997-2017	16	0.64mm	B	16	0.64mm	C	56.78	54.31	22.86	22.86
TBD	34997-2018	14	HYBRID	A	10	HYBRID	A	66.94	64.47	27.94	27.94
TBD	34997-2019	12	0.64mm	A	20	0.64mm	B	56.78	54.31	17.78	27.94
TBD	34997-2020	10	HYBRID	B	12	0.64mm	A	56.78	54.31	27.94	17.78
TBD	34997-2021	12	0.64mm	A	8	0.64mm	B	41.54	39.07	17.78	12.70
TBD	34997-2022	10	HYBRID	A	12	0.64mm	A	56.78	54.31	27.94	17.78

2 BAY STAC64 RIGHT ANGLE HEADER ASSEMBLY (P/N: 34997-2000 SHOWN)



NOTES: VALID UNLESS OTHERWISE SPECIFIED

1. GENERAL:

a. CONNECTOR HEADER MUST BE VALIDATED TO THE FOLLOWING FUNCTIONAL REQUIREMENTS:

PRODUCT SPECIFICATION:
8-20 CKT 0.64 PRODUCT SPEC: PS-34729-020/PS-31408-100
10/14CKT HYBRID PRODUCT SPEC: PS-34696-100

b. APPLICATION REQUIREMENTS (REFERENCE ONLY):

APPLICATION SPECIFICATION: AS-34729-020/AS-31408-100

c. PACKAGING SPECIFICATION PER MOLEX DRAWING PK-31300-892 (TRAY)
d. PACKAGING SPECIFICATION PER MOLEX DRAWING PK-31301-063 (TUBE)

2. DESIGN: MATERIALS:

a. SHROUD (PLASTIC HOUSING):
RESIN - SPS 30%GF

HOUSING COLOR:
BLACK - POLARIZATION 'A'
GREY - POLARIZATION 'B'
BROWN - POLARIZATION 'C'
GREEN - POLARIZATION 'D'

b. 0.64mm PINS:
BASE MATERIAL: C26000
PLATING TYPE: AS NOTED

c. 1.5/2.8mm BLADES:
BASE MATERIAL: C19400
PLATING TYPE: AS NOTED

3. PLATING REQUIREMENTS:

a. UNDERPLATING - OVERALL NICKEL

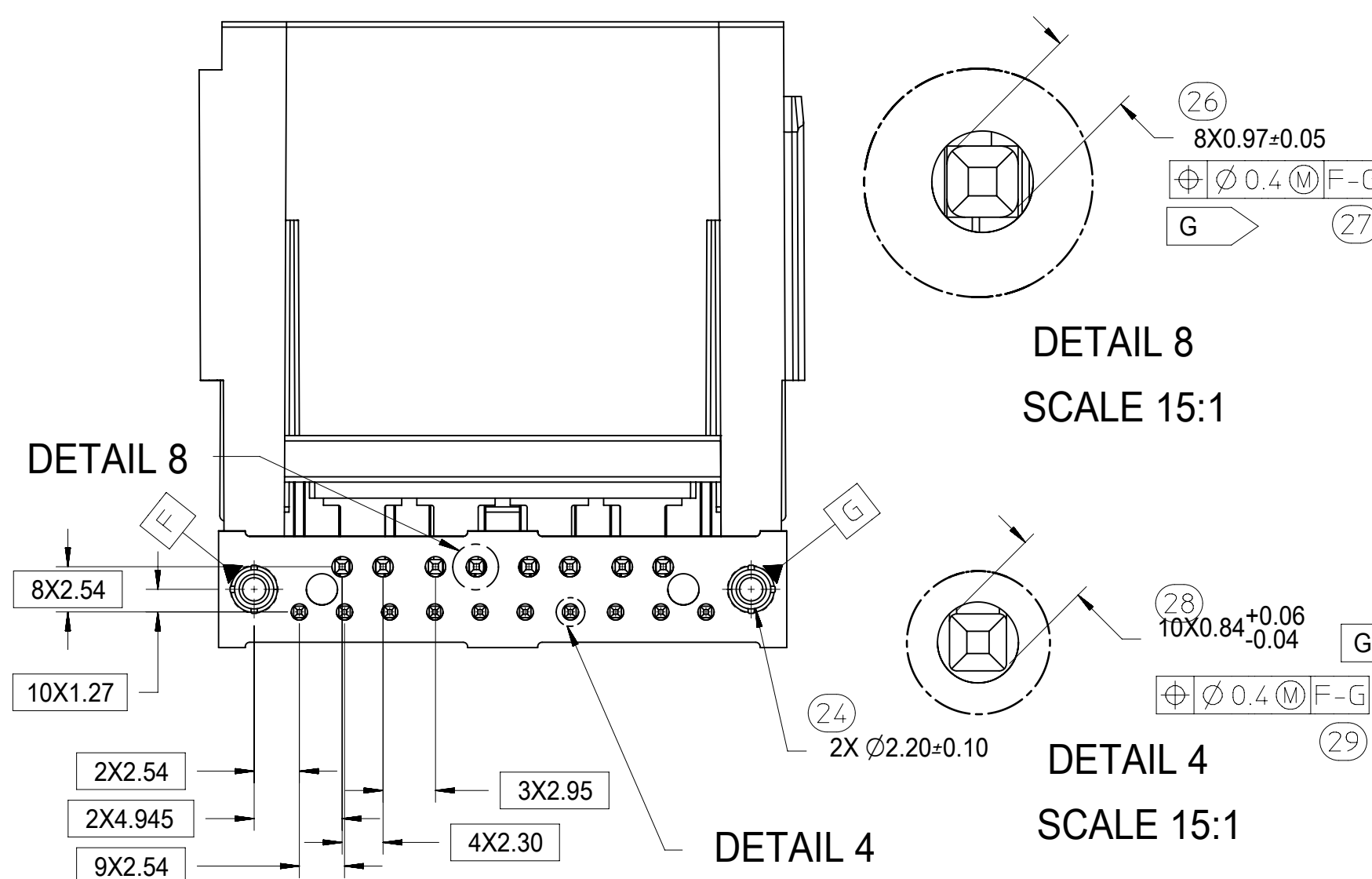
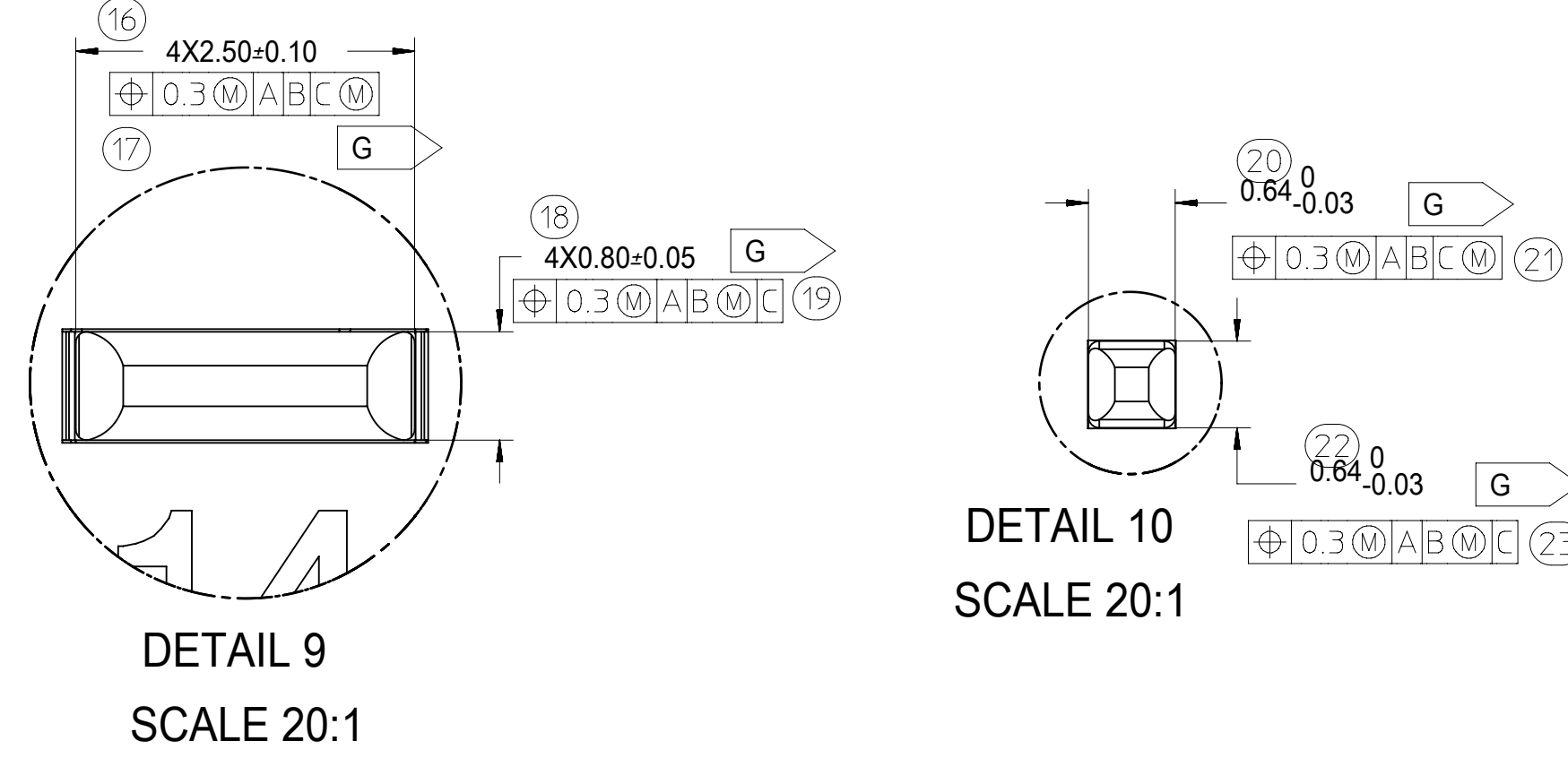
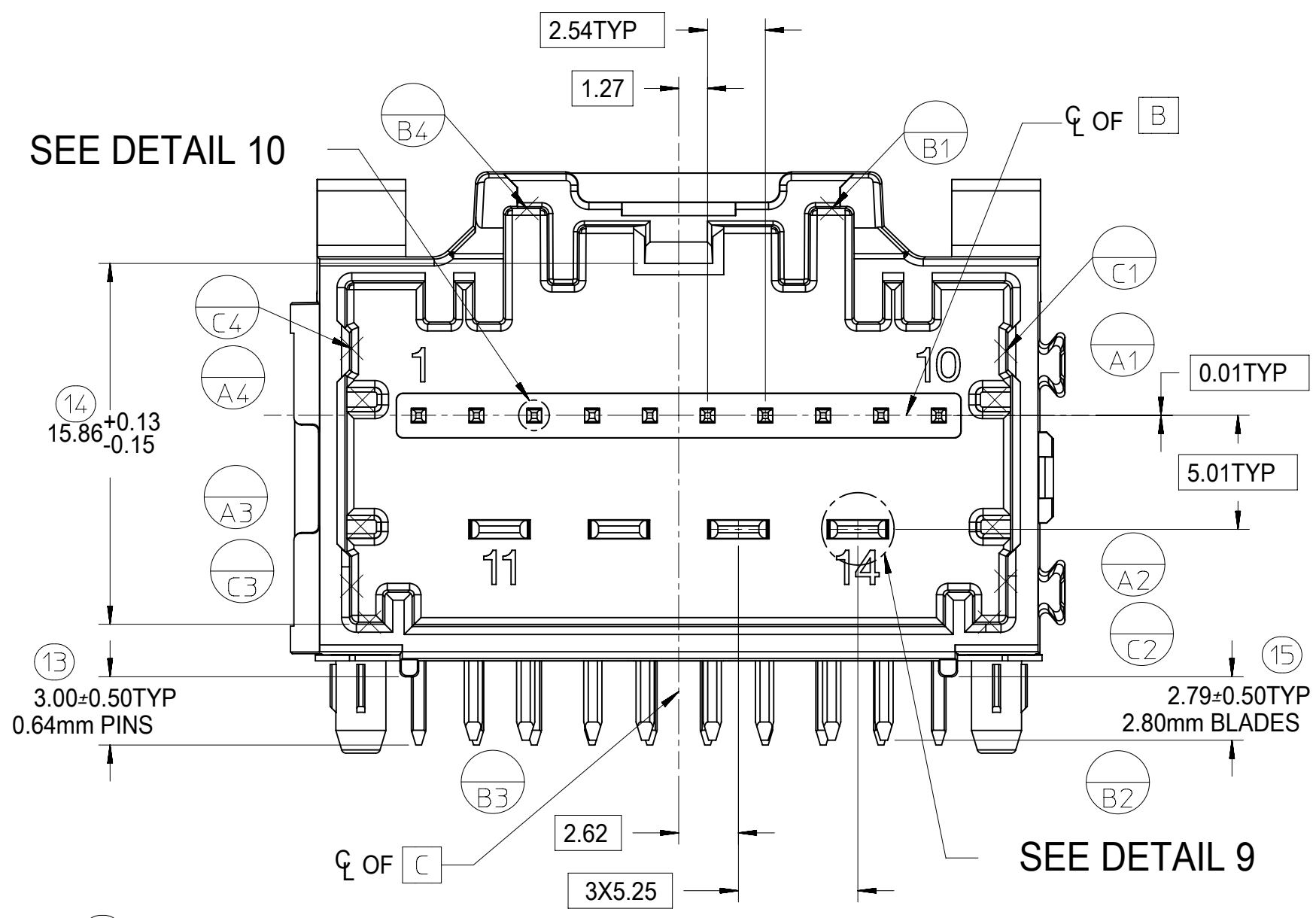
b. OVERPLATING - OVERALL TIN

4. FOR ADDITIONAL INFORMATION AND DIMENSIONS OF INDIVIDUAL BAYS
REFER TO THE FOLLOWING SINGLE BAY DRAWINGS:

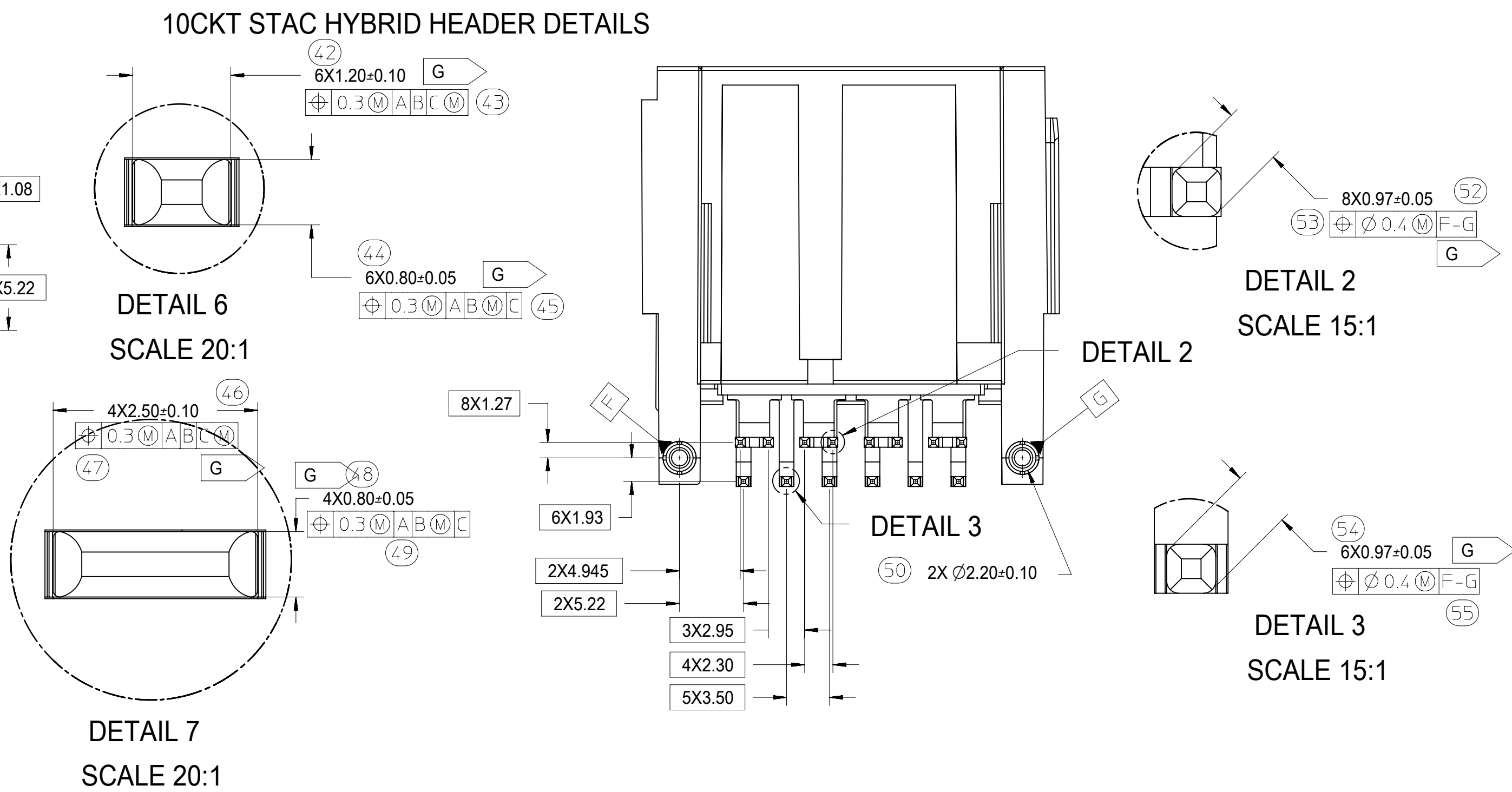
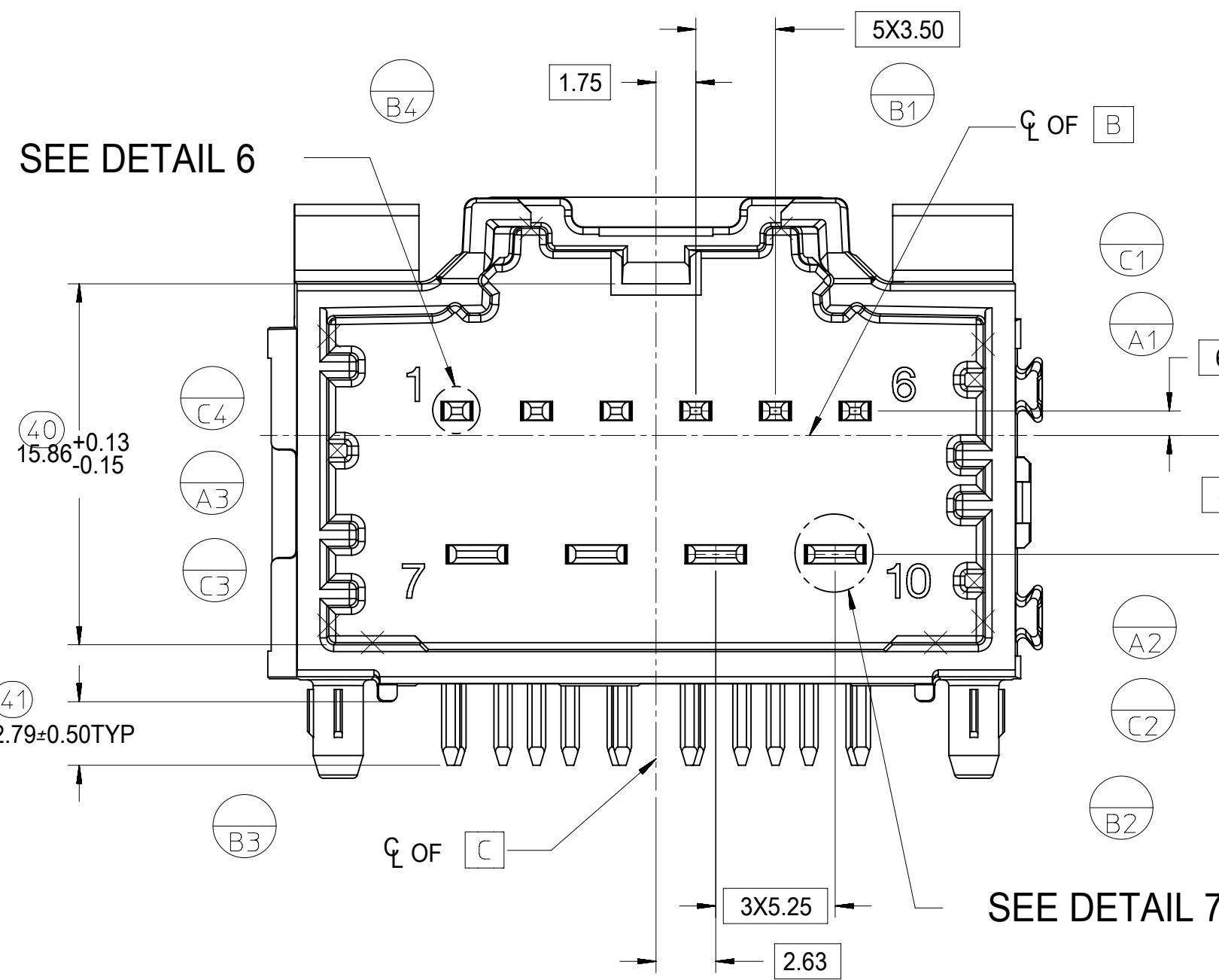
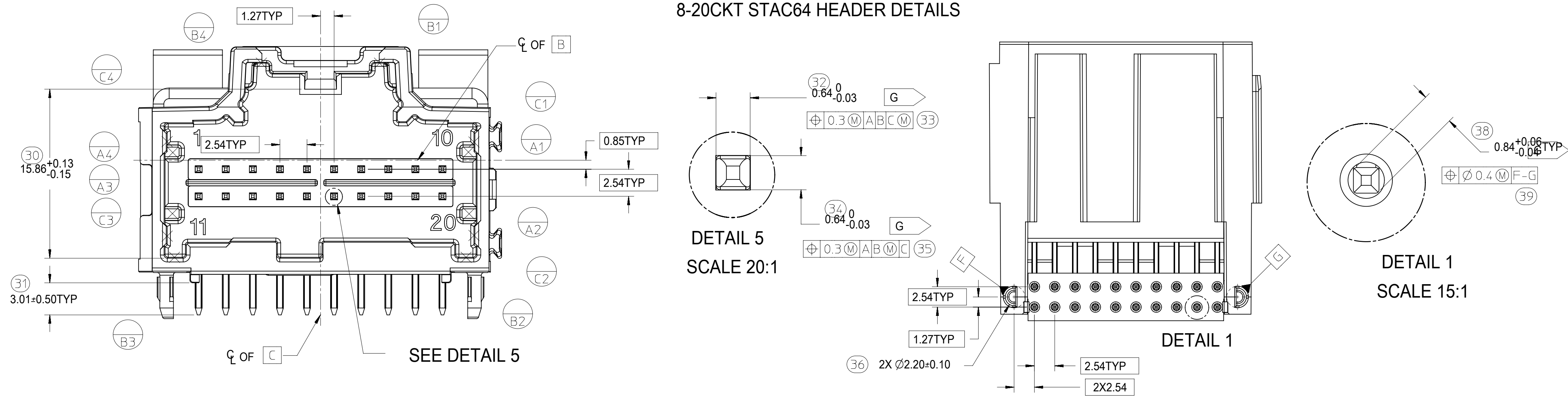
8-20 CKT 0.64: SD-34691-601
10CKT HYBRID: SD-34696-100
14CKT HYBRID: SD-34773-010

SYMBOLS	THIS DRAWING CONTAINS INFORMATION THAT IS PROPRIETARY TO MOLEX ELECTRONIC TECHNOLOGIES, LLC AND SHOULD NOT BE USED WITHOUT WRITTEN PERMISSION		CURRENT REV DESC: ADDED NEW P/N 34997-2022 (10HA AND 12A)		molex	
	DIMENSION UNITS	SCALE				
▽ = 0	mm	4:1	EC NO: 618886 DRWN: SHANDITHAVAL 2019/06/11 CHK'D: RBAUMAN 2019/06/11 APPR: RBAUMAN 2019/06/11 INITIAL REVISION: DRWN: JFISCHER01 2013/05/28 APPR: RBAUMAN 2013/05/30		2-BAY STAC64 RIGHT ANGLE PAP LONG PIN HEADER ASSEMBLY SALES DRAWING	
▽ = 0	GENERAL TOLERANCES (UNLESS SPECIFIED)					
▽ = 0	ANGULAR TOL ± 1.0°				PRODUCT CUSTOMER DRAWING DOCUMENT NUMBER: SD-34997-200 DOC TYPE: PSD DOC PART: 001 REVISION: J5	
▽ = 0	4 PLACES ±					
▽ = 0	3 PLACES ±					
▽ = 0	2 PLACES ± 0.13		MATERIAL NUMBER: SEE TABLE CUSTOMER: GENERAL MARKET SHEET NUMBER: 1 OF 3			
▽ = 0	1 PLACE ± 0.25					
▽ = 0	0 PLACES ±		DRAFT WHERE APPLICABLE MUST REMAIN WITHIN DIMENSIONS			
□ = 0	THIRD ANGLE PROJECTION		DRAWING: D-SIZE SERIES: 34997			

14CKT STAC HYBRID HEADER DETAILS



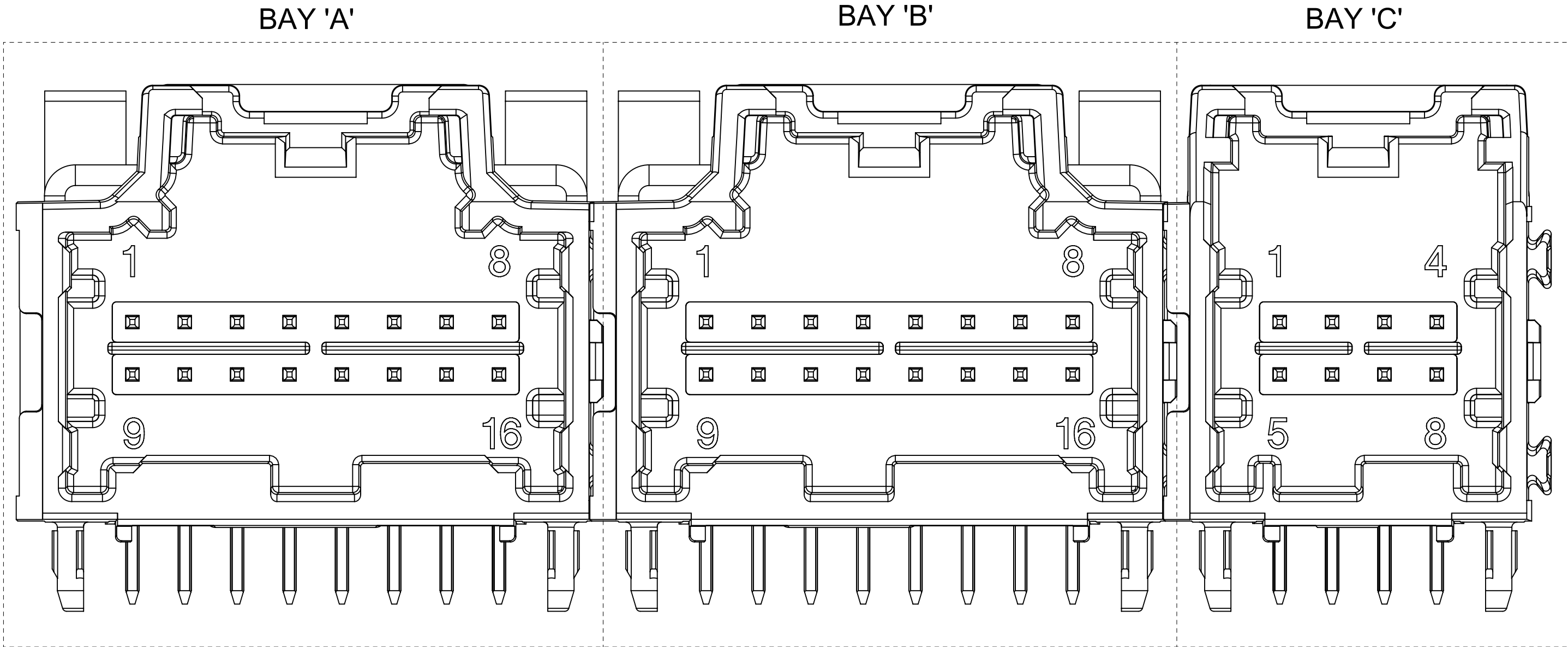
8-20CKT STAC64 HEADER DETAILS



SYMBOLS	THIS DRAWING CONTAINS INFORMATION THAT IS PROPRIETARY TO MOLEX ELECTRONIC TECHNOLOGIES, LLC AND SHOULD NOT BE USED WITHOUT WRITTEN PERMISSION		
	DIMENSION UNITS	SCALE	CURRENT REV DESC: ADDED NEW P/N 34997-2022 (10HA AND 12A)
▽ = 0	mm	4:1	EC NO: 618886 DRWN: SHANDITHAVAL 2019/06/11 CHK'D: RBAUMAN 2019/06/11 APPR: RBAUMAN 2019/06/11 INITIAL REVISION: DRWN: JFISCHER01 2013/05/28 APPR: RBAUMAN 2013/05/30
▽ = 0	GENERAL TOLERANCES (UNLESS SPECIFIED)		
▽ = 0	ANGULAR TOL ± 1.0°		
▽ = 0	4 PLACES ±		
▽ = 0	3 PLACES ±		
▽ = 0	2 PLACES ± 0.13		
▽ = 0	1 PLACE ± 0.25		DRWN: JFISCHER01 2013/05/28 APPR: RBAUMAN 2013/05/30
▽ = 0	0 PLACES ±		
▽ = 0	DRAFT WHERE APPLICABLE MUST REMAIN WITHIN DIMENSIONS	THIRD ANGLE PROJECTION	DRAWING SERIES D-SIZE 34997
▽ = 0	MATERIAL NUMBER CUSTOMER SHEET NUMBER		
DOCUMENT STATUS P1		RELEASE DATE 2019/06/11 20:37:32	PRODUCT CUSTOMER DRAWING DOCUMENT NUMBER SD-34997-200 DOC TYPE PSD DOC PART 001 REVISION J5 GENERAL MARKET SEE TABLE

TABLE OF CONTENTS	
1	NOTES, INSPECTION BALLOON NUMBER LOG, REV. TABLE, 3 BAY ASSEMBLY VIEW
2	DIMENSIONAL CHART FOR MULTIBAY CONFIGURATION
3	3 BAY ASSEMBLY VIEW, RECOMMENDED PCB LAYOUT, FLUSH MOUNTING VIEW, POST HOLE TABLE, DIMENSION DETAILS
4	8-20CKT 0.64MM HEADER DETAILS, 14CKT HYBRID HEADER DETAILS, 10CKT HYBRID HEADER DETAILS
5	RECOMMENDED SINGLE PCB LAYOUT FOR 10CKT HYBRID, 14CKT HYBRID, AND 8-20CKT 0.64MM

3-BAY STAC64 RIGHT ANGLE HEADER ASSEMBLY (P/N: 34997-3000 SHOWN)



- L10** NOTES: VALID UNLESS OTHERWISE SPECIFIED
1. GENERAL:
 - a. CONNECTOR HEADER MUST BE VALIDATED TO THE FOLLOWING FUNCTIONAL REQUIREMENT:
 PRODUCT SPECIFICATION:
 8-20 CKT 0.64 PRODUCT SPEC: PS-34729-020/PS-31408-100
 10 CKT HYBRID PRODUCT SPEC: PS-31372-100
 14 CKT HYBRID PRODUCT SPEC: PS-34969-100
 - b. APPLICATION REQUIREMENTS (REFERENCE ONLY):
 APPLICATION SPECIFICATION: AS-34729-020/AS-31408-100
 - c. PACKAGING SPECIFICATION PER MOLEX DRAWING PK-31300-892 (TRAY)
 - d. PACKAGING SPECIFICATION PER MOLEX DRAWING PK-31301-063 (TUBE)
 2. DESIGN MATERIALS:
 - a. SHROUD (PLASTIC HOUSING):
 RESIN - SPS
 HOUSING COLOR:
 BLACK - POLARIZATION 'A'
 GREY - POLARIZATION 'B'
 BROWN - POLARIZATION 'C'
 GREEN - POLARIZATION 'D'
 - b. 0.64mm PINS:
 BASE MATERIAL: COPPER ALLOY
 PLATING TYPE: AS NOTED
 - c. 1.5/2.8mm BLADES:
 BASE MATERIAL: COPPER ALLOY
 PLATING TYPE: AS NOTED
 3. PLATING REQUIREMENTS:
 - a. UNDERPLATING - OVERALL NICKEL
 - b. OVERPLATING - OVERALL TIN
 4. FOR DESCRIPTION OF INDIVIDUAL BAYS, REFER TO THE FOLLOWING SINGLE BAY DRAWINGS:
 8-20 CKT 0.64: SD-34691-601
 10CKT HYBRID: SD-34696-100
 14CKT HYBRID: SD-34773-010
 5. G DENOTES DIMENSIONS THAT MAY BE QUALIFIED WITH A GAUGE.

REV.	REV. DESCRIPTION	EC#	DATE
L10	1. UPDATED NOTES 2. ADDED NEW P/NS 34997-3017 AND 34997-3018 IN DIMENSIONAL CHART IN SHEET 2	662725	2021.05
L9	1. DIEMNTIONAL CHART WAS IN SHEET 1 2. 10/14 CKT HYBRID SPEC WAS PS-34696-100 IN NOTES 1a SHEET 1 3. ADDED P/N 34997-3015 10B+20A+20B IN SHEET 2 4. ADDED P/N 34997-3016 12A+20C+12B IN SHEET 2	645306	2020.09

SYMBOLS		THIS DRAWING CONTAINS INFORMATION THAT IS PROPRIETARY TO MOLEX ELECTRONIC TECHNOLOGIES, LLC AND SHOULD NOT BE USED WITHOUT WRITTEN PERMISSION	
DIMENSION UNITS	SCALE	CURRENT REV DESC:	
= 0	mm	5:1	
= 0	GENERAL TOLERANCES (UNLESS SPECIFIED)		
= 0	ANGULAR TOL	± 1.0°	
= 0	4 PLACES	±	
= 0	3 PLACES	±	
= 0	2 PLACES	± 0.13	
= 0	1 PLACE	± 0.25	
= 0	0 PLACES	±	
= 0	DRAFT WHERE APPLICABLE MUST REMAIN WITHIN DIMENSIONS		
		THIRD ANGLE PROJECTION	DRAWING
			D-SIZE
		SERIES	34997
		MATERIAL NUMBER	SEE CHART
		CUSTOMER	GENERAL MARKET
		SHEET NUMBER	1 OF 5

INSPECTION BALLOON NUMBER LOG	
PER DRAWING REVISION:	L10
LAST BALLOON NUMBER USED:	55
ADDED BALLOON NUMBERS:	
REMOVED BALLOON NUMBERS:	9, 10, 11, 12, 56, 57, 58, 59, 60, 61, 62, 63

DOCUMENT STATUS	P1	RELEASE DATE	2021/05/18	01:38:02

STAC64 3-BAY PAP R/A
LONG PIN HEADER ASSEMBLY SALES DRAWING


PRODUCT CUSTOMER DRAWING

DOCUMENT NUMBER	DOC TYPE	DOC PART	REVISION
SD-34997-300	PSD	001	L10

DIMENSIONAL CHART FOR MULTIBAY CONFIGURATION:

3 BAY PART NUMBER (TUBE PKG)	3 BAY PART NUMBER (TRAY PKG)	BAY A			BAY B			BAY C			DIM 'A'	DIM 'B'	DIM 'C'	DIM 'D'	DIM 'E'
		CKT	TYPE	POL	CKT	TYPE	POL	CKT	TYPE	POL					
TBD	34997-3000	16	0.64mm	B	16	0.64mm	A	8	0.64mm	A	74.44	71.97	22.86	22.86	12.70
TBD	34997-3001	12	0.64mm	A	12	0.64mm	B	16	0.64mm	A	74.44	71.97	17.78	17.78	22.86
TBD	34997-3002	16	0.64mm	A	12	0.64mm	A	20	0.64mm	A	84.60	82.13	22.86	17.78	27.94
TBD	34997-3003	16	0.64mm	A	20	0.64mm	A	12	0.64mm	A	84.60	82.13	22.86	27.94	17.78
TBD	34997-3004	20	0.64mm	A	20	0.64mm	B	8	0.64mm	A	84.60	82.13	27.94	27.94	12.70
TBD	34997-3005	10	HYBRID	A	16	0.64mm	A	8	0.64mm	A	79.52	77.05	27.94	22.86	12.70
TBD	34997-3006	12	0.64mm	A	8	0.64mm	B	16	0.64mm	C	69.36	66.89	17.78	12.70	22.86
TBD	34997-3007	20	0.64mm	A	20	0.64mm	B	20	0.64mm	C	99.84	97.37	27.94	27.94	27.94
TBD	34997-3008	20	0.64mm	D	16	0.64mm	C	12	0.64mm	C	84.60	82.13	27.94	22.86	17.78
34997-8009	34997-3009	20	0.64mm	C	20	0.64mm	B	20	0.64mm	A	99.84	97.37	27.94	27.94	27.94
34997-8010	34997-3010	12	0.64mm	C	16	0.64mm	C	20	0.64mm	D	84.60	82.13	17.78	22.86	27.94
TBD	34997-3011	8	0.64mm	A	8	0.64mm	B	8	0.64mm	C	54.12	51.65	12.70	12.70	12.70
TBD	34997-3012	14	HYBRID	C	20	0.64mm	B	8	0.64mm	A	84.60	82.13	27.94	27.94	12.70
TBD	34997-3013	10	HYBRID	A	10	HYBRID	B	14	HYBRID	A	99.84	97.37	27.94	27.94	27.94
TBD	34997-3014	10	HYBRID	A	16	0.64mm	B	20	0.64mm	C	94.76	92.29	27.94	22.86	27.94
TBD	34997-3015	10	HYBRID	B	20	0.64mm	A	20	0.64mm	B	99.84	97.37	27.94	27.94	27.94
TBD	34997-3016	12	0.64mm	A	20	0.64mm	C	12	0.64mm	B	79.52	77.05	17.78	27.94	17.78
L10	TBD	10	HYBRID	B	20	0.64mm	A	20	0.64mm	D	99.84	97.37	27.94	27.94	27.94
L10	TBD	12	0.64mm	B	20	0.64mm	C	12	0.64mm	A	79.52	77.05	17.78	27.94	17.78

FUNCTIONAL SYMBOLS	THIS DRAWING CONTAINS INFORMATION THAT IS PROPRIETARY TO MOLEX ELECTRONIC TECHNOLOGIES, LLC AND SHOULD NOT BE USED WITHOUT WRITTEN PERMISSION		
	DIMENSION UNITS	SCALE	CURRENT REV DESC:
$\nabla_A = 0$	mm	1:1	EC NO: 662725 DRWN: CZHANG118 2021/04/28 CHK'D: JDENG02 2021/05/18 APPR: JDENG02 2021/05/18 INITIAL REVISION: DRWN: JFISCHER01 2013/05/31 APPR: RBAUMAN 2013/06/04
$\nabla_C = 0$	GENERAL TOLERANCES (UNLESS SPECIFIED)		
$\nabla_D = 0$	ANGULAR TOL ± 1.0°		
DIVISIONAL SYMBOLS	4 PLACES	±	
	3 PLACES	±	
	2 PLACES	± 0.13	
	1 PLACE	± 0.25	
	0 PLACES	±	
DRAFT WHERE APPLICABLE MUST REMAIN WITHIN DIMENSIONS		THIRD ANGLE PROJECTION	DRAWING D-SIZE SERIES 34997 MATERIAL NUMBER CUSTOMER GENERAL MARKET SHEET NUMBER 2 OF 5



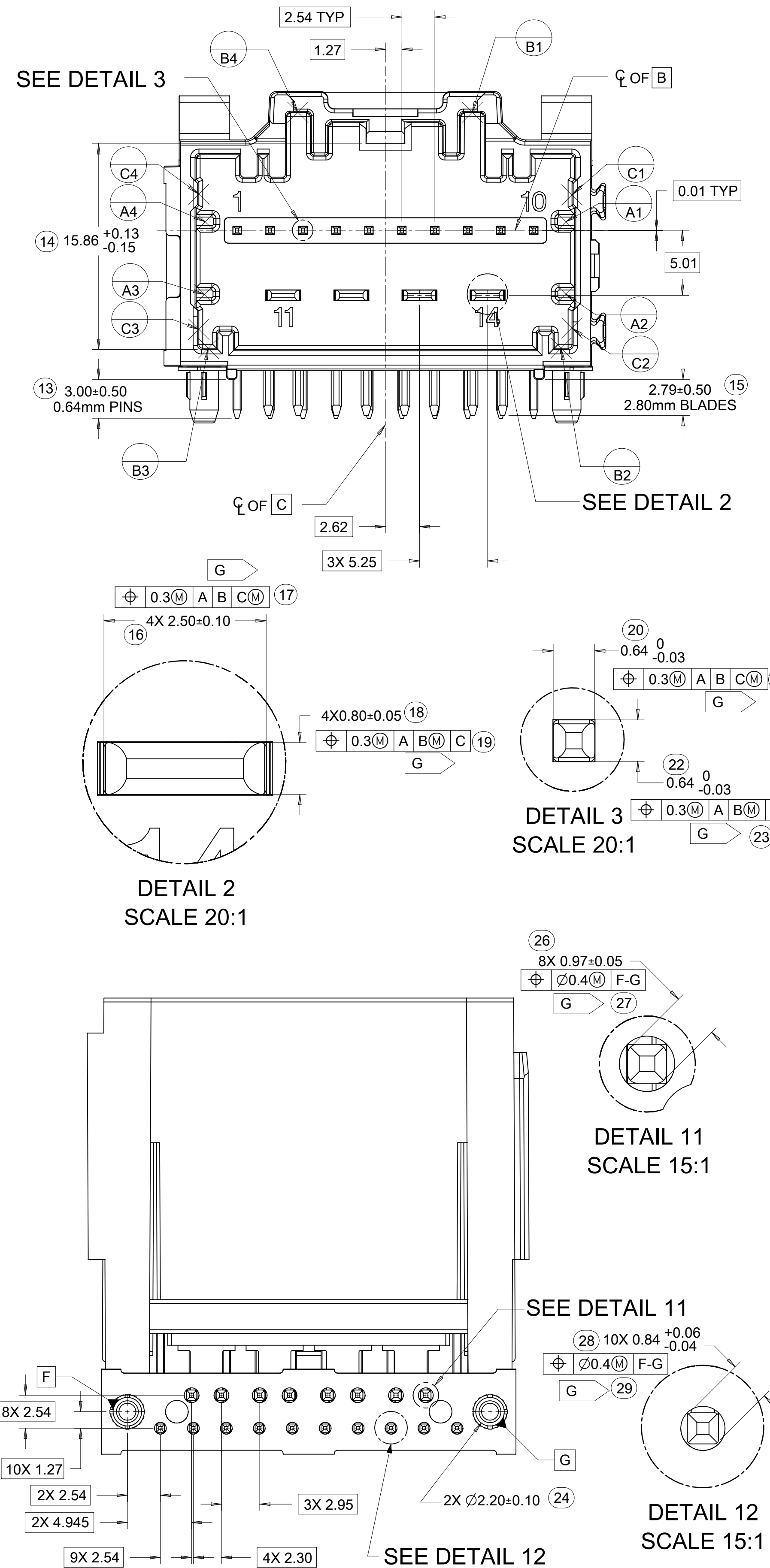
STAC64 3-BAY PAP R/A
LONG PIN HEADER ASSEMBLY SALES DRAWING

PRODUCT CUSTOMER DRAWING

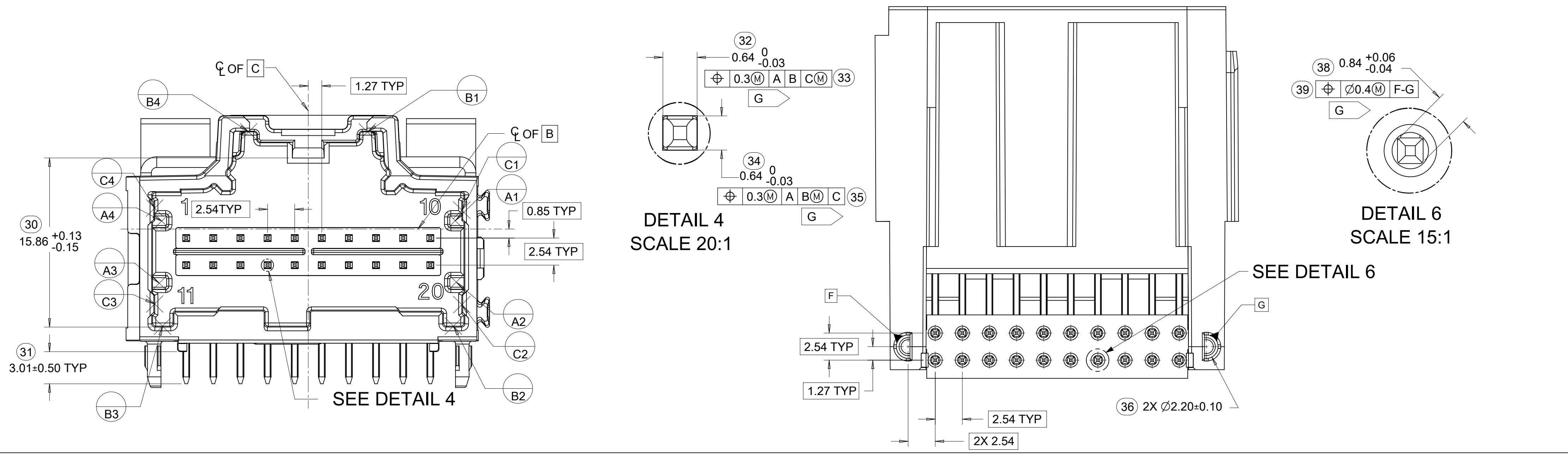
DOCUMENT NUMBER	DOC TYPE	DOC PART	REVISION
SD-34997-300	PSD	001	L10

TABLE OF CONTENTS			
8-20CKT 0.64MM HEADER DETAILS,	14CKT HYBRID HEADER DETAILS,	10CKT HYBRID HEADER DETAILS	

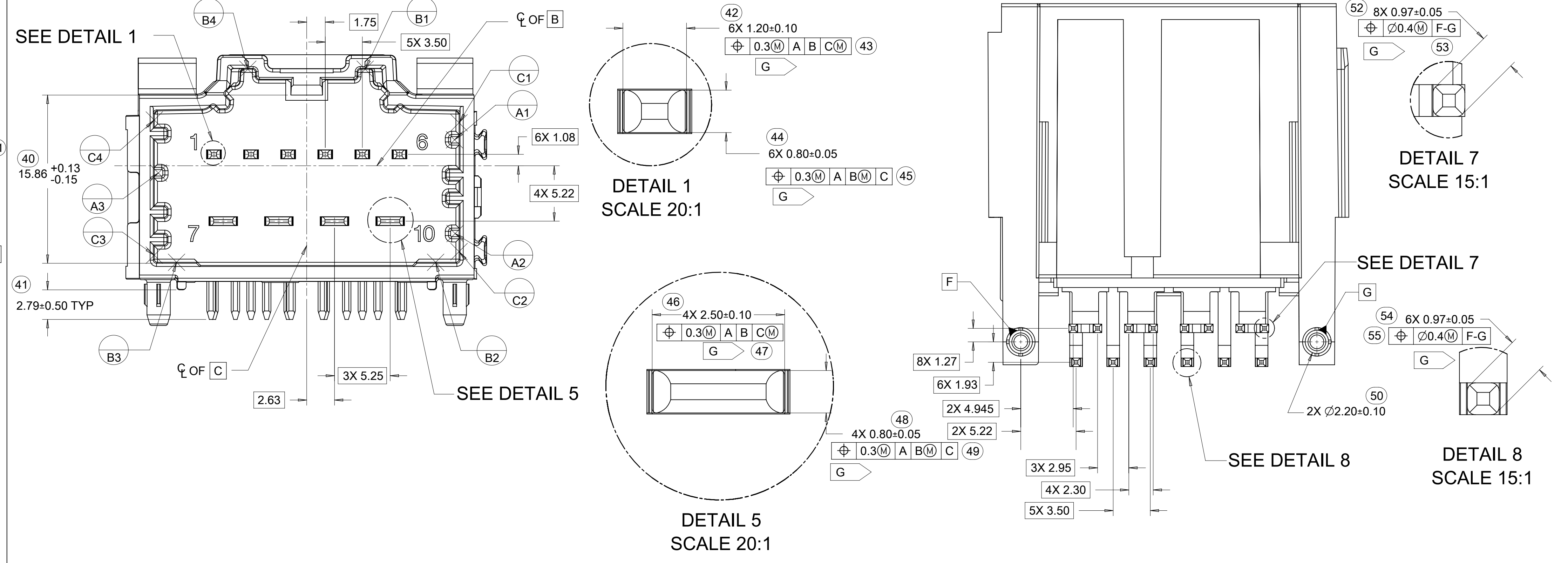
14 CKT STAC HYBRID HEADER DETAILS



8-20CKT STAC64 HEADER DETAILS



10CKT STAC HYBRID HEADER DETAILS



SYMBOLS	THIS DRAWING CONTAINS INFORMATION THAT IS PROPRIETARY TO MOLEX ELECTRONIC TECHNOLOGIES, LLC AND SHOULD NOT BE USED WITHOUT WRITTEN PERMISSION	
	DIMENSION UNITS	SCALE
▽ = 0	mm	4:1
▽ = 0	GENERAL TOLERANCES (UNLESS SPECIFIED)	
▽ = 0	ANGULAR TOL	± 1.0°
▽ = 0	4 PLACES	±
▽ = 0	3 PLACES	±
▽ = 0	2 PLACES	± 0.13
▽ = 0	1 PLACE	± 0.25
▽ = 0	0 PLACES	±
■ = 0	DRAFT WHERE APPLICABLE MUST REMAIN WITHIN DIMENSIONS	
▽ = 0	THIRD ANGLE PROJECTION	
CURRENT REV DESC:		
EC NO:	662725	
DRWN:	CZHANG118	2021/04/28
CHK'D:	JDENG02	2021/05/18
APPR:	JDENG02	2021/05/18
INITIAL REVISION:		
DRWN:	JFISCHER01	2013/05/31
APPR:	RBAUMAN	2013/06/04
DRAFT WHERE APPLICABLE MUST REMAIN WITHIN DIMENSIONS		
THIRD ANGLE PROJECTION	DRAWING	SERIES
⊕	D-SIZE	34997
MATERIAL NUMBER		
SEE CHART	CUSTOMER	SHEET NUMBER
GENERAL MARKET		4 OF 5

molex

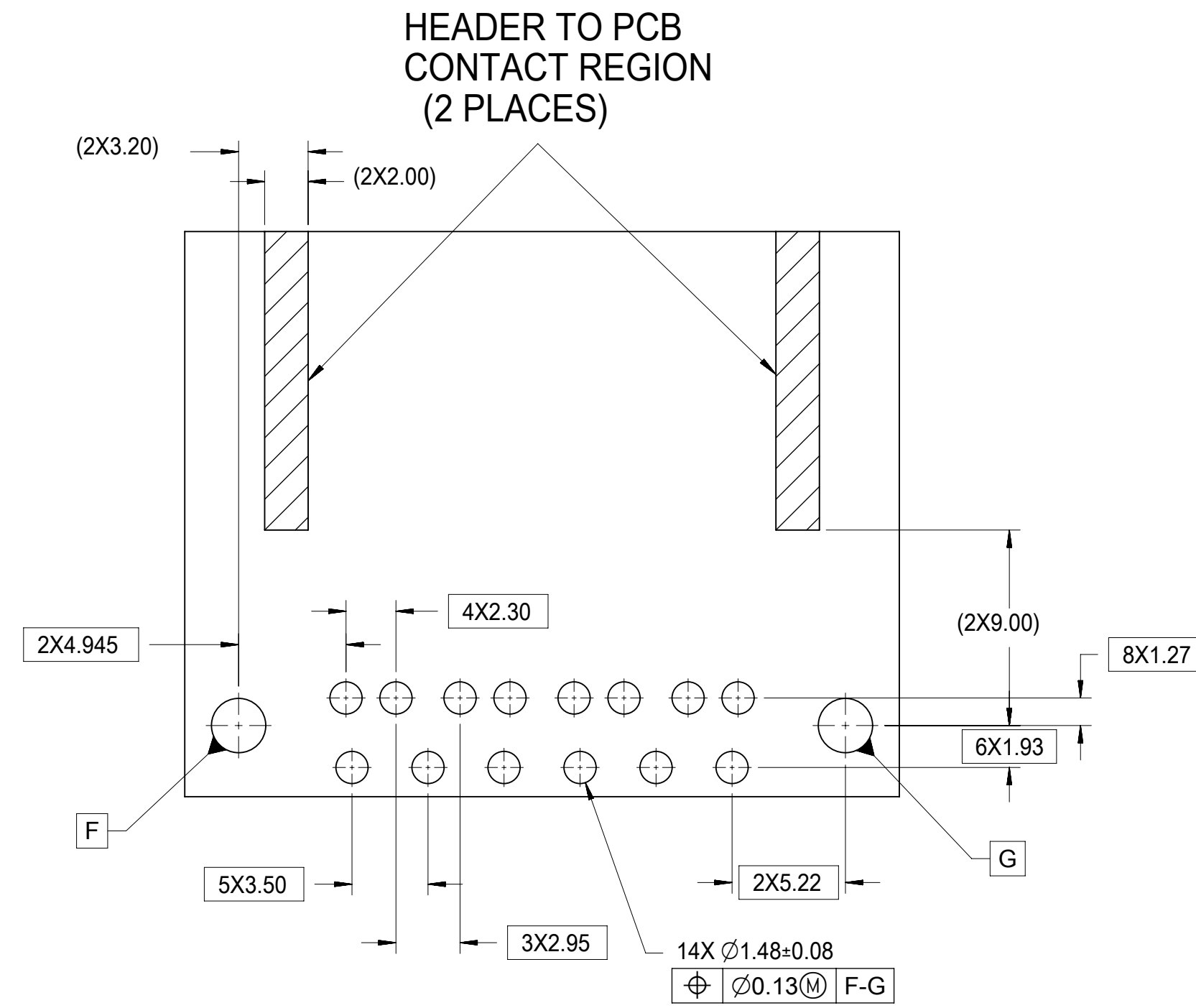
STAC64 3-BAY PAP R/A
LONG PIN HEADER ASSEMBLY SALES DRAWING

PRODUCT CUSTOMER DRAWING

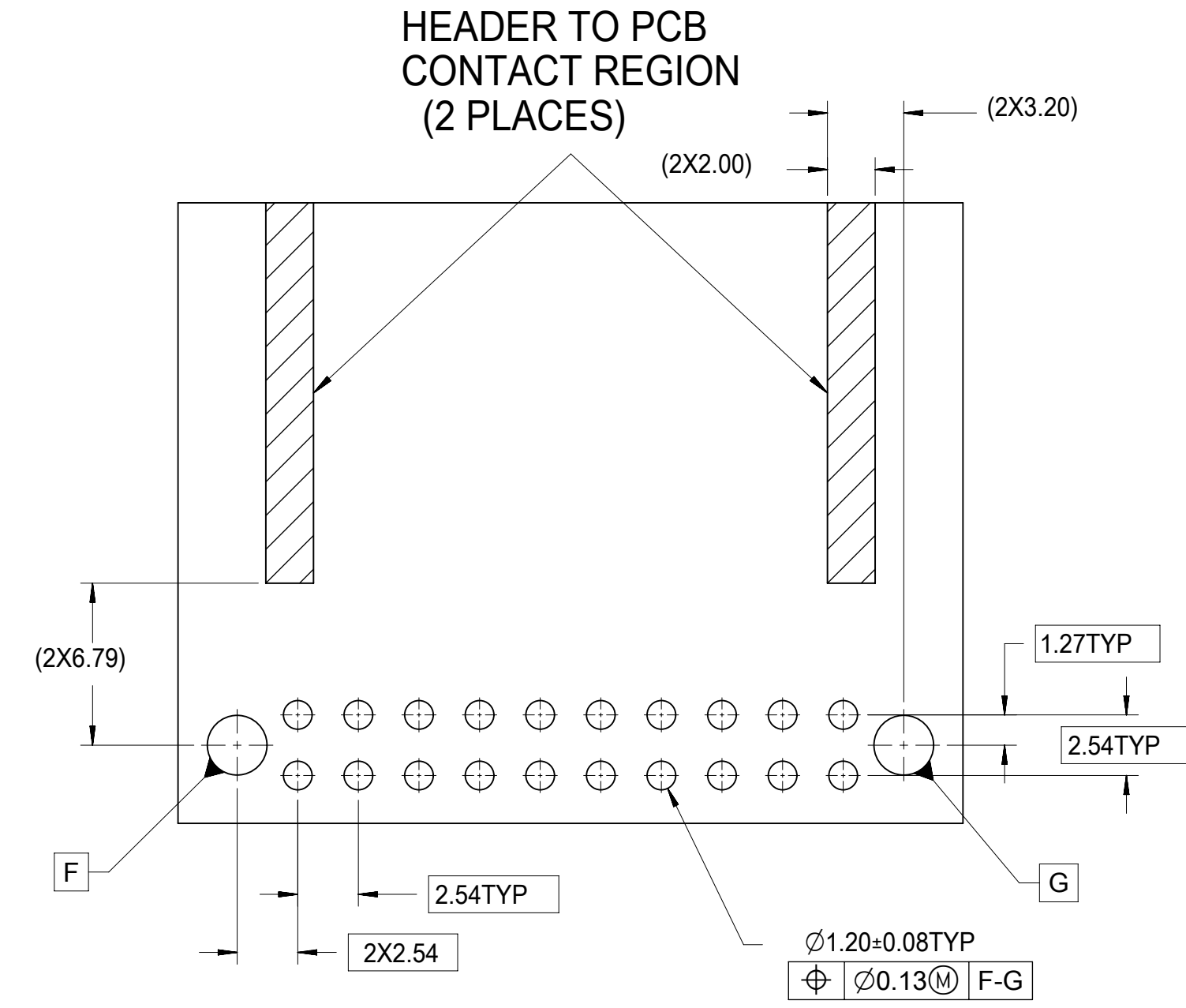
DOCUMENT NUMBER	DOC TYPE	DOC PART	REVISION
SD-34997-300	PSD	001	L10

TABLE OF CONTENTS	
5	RECOMMENDED SINGLE PCB LAYOUT FOR 10CKT HYBRID, 14CKT HYBRID, AND 8-20CKT 0.64MM

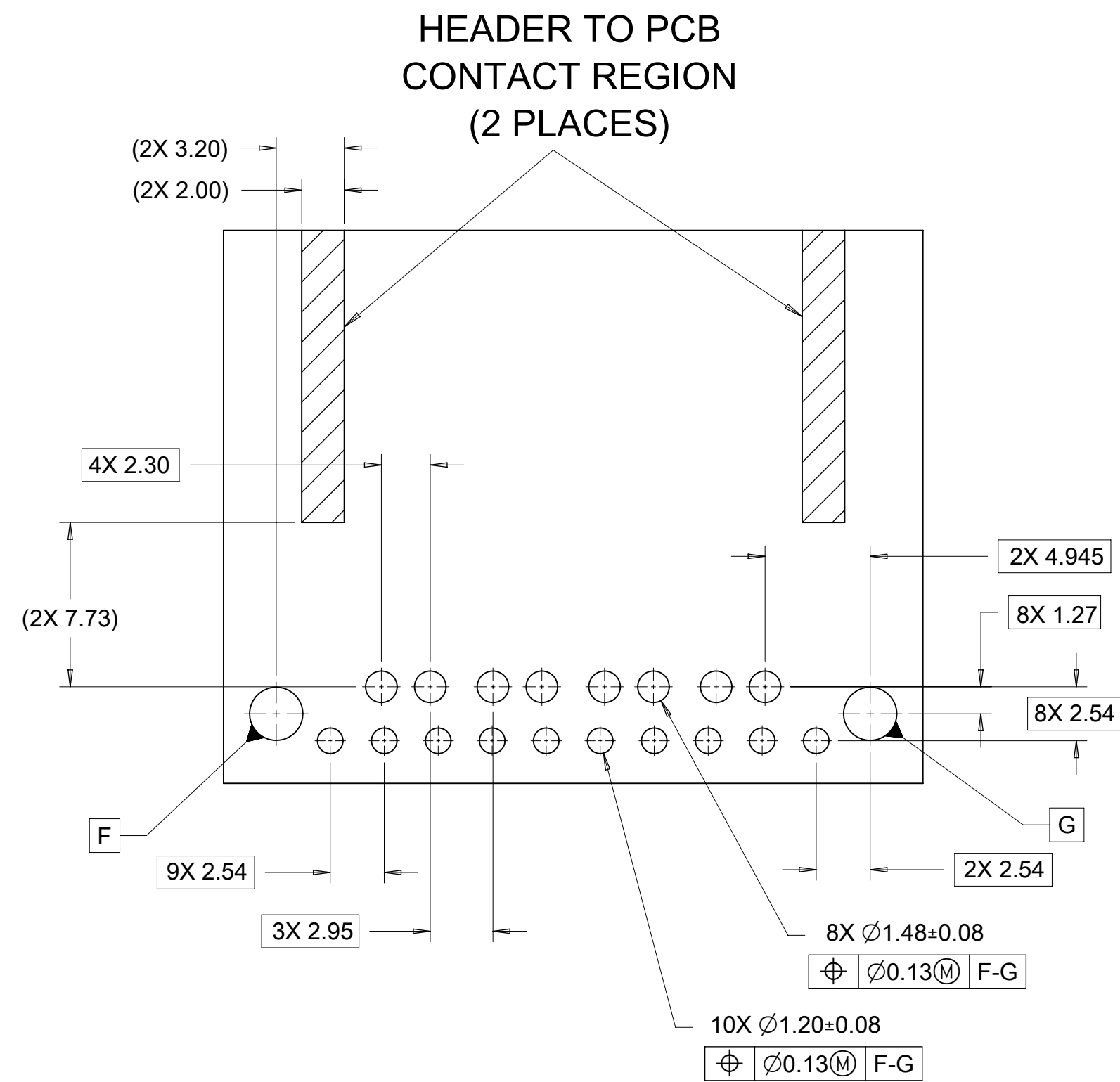
10 CKT HYBRID TEMPLATE PCB LAYOUT



8-20CKT 0.64mm TEMPLATE PCB LAYOUT

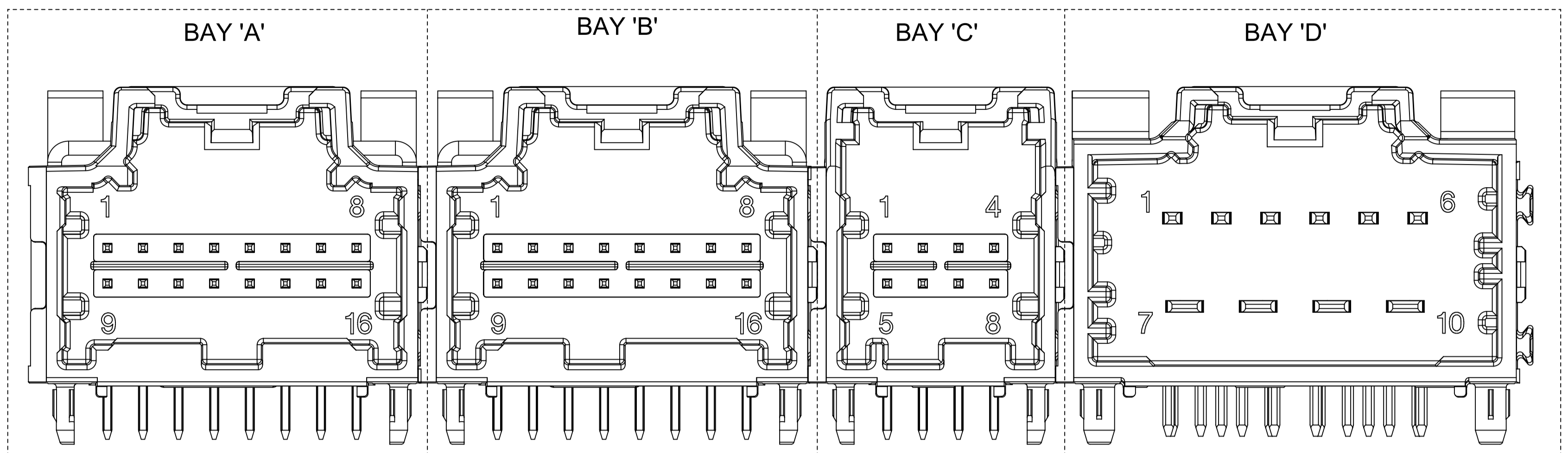


14 CKT HYBRID TEMPLATE PCB LAYOUT



SYMBOLS	THIS DRAWING CONTAINS INFORMATION THAT IS PROPRIETARY TO MOLEX ELECTRONIC TECHNOLOGIES, LLC AND SHOULD NOT BE USED WITHOUT WRITTEN PERMISSION		
	DIMENSION UNITS	SCALE	CURRENT REV DESC:
▽ = 0	mm	4:1	molex STAC64 3-BAY PAP R/A LONG PIN HEADER ASSEMBLY SALES DRAWING PRODUCT CUSTOMER DRAWING
▽ = 0	GENERAL TOLERANCES (UNLESS SPECIFIED)		
▽ = 0	ANGULAR TOL ± 1.0°		EC NO: 662725 DRWN: CZHANG118 2021/04/28 CHK'D: JDENG02 2021/05/18 APPR: JDENG02 2021/05/18
▽ = 0	4 PLACES	±	INITIAL REVISION: DRWN: JFISCHER01 2013/05/31 APPR: RBAUMAN 2013/06/04
▽ = 0	3 PLACES	±	
▽ = 0	2 PLACES	± 0.13	DOCUMENT NUMBER SD-34997-300 DOC TYPE PSD DOC PART 001 REVISION L10
▽ = 0	1 PLACE	± 0.25	
▽ = 0	0 PLACES	±	MATERIAL NUMBER SEE CHART CUSTOMER GENERAL MARKET SHEET NUMBER 5 OF 5
▽ = 0	DRAFT WHERE APPLICABLE MUST REMAIN WITHIN DIMENSIONS		
▽ = 0	THIRD ANGLE PROJECTION	DRAWING	SERIES D-SIZE 34997

4 BAY STAC64 RIGHT ANGLE PAP HEADER ASSEMBLY
(P/N: 34997-4000 SHOWN)



NOTES: VALID UNLESS OTHERWISE SPECIFIED

1. GENERAL:

- a. CONNECTOR HEADER MUST BE VALIDATED TO THE FOLLOWING FUNCTIONAL REQUIREMENTS:
PRODUCTS SPECIFICATION:
8-20 CKT 0.64 PRODUCT SPEC: PS-34729-020/PS-31408-100
10/14CKT CKT HYBRID PRODUCT SPEC: PS-31372-100
- b. APPLICATION REQUIREMENTS (REFERENCE ONLY):
APPLICATION SPECIFICATION: AS-34729-020/AS-31408-100
- c. PACKAGING SPECIFICATION PER MOLEX DRAWING PK-31300-892 (TRAY)
- d. PACKAGING SPECIFICATION PER MOLEX DRAWING PK-31301-063 (TUBE)

2. DESIGN: MATERIALS

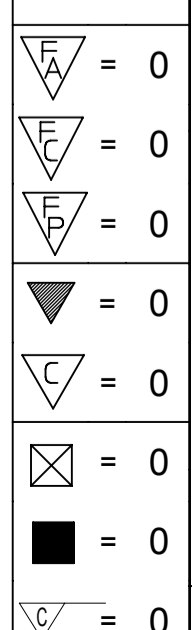

- a. SHROUD (PLASTIC HOUSING)
RESIN - SPS 30%GF
- b. 0.64mm PINS:
BASE MATERIAL: C26000
PLATING TYPE: AS NOTED
- 1.50mm/2.80mm BLADES:
BASE MATERIAL: C19400
PLATING TYPE: AS NOTED

3. PLATING REQUIREMENTS:

- a. UNDERPLATING - OVERALL NICKEL
- b. OVERPLATING - OVERALL TIN

- 4. FOR DESCRIPTION OF INDIVIDUAL BAYS, REFER TO THE FOLLOWING SINGLE BAY DRAWINGS:
8-20 CKT 0.64: SD-34691-601
10CKT HYBRID: SD-34696-100
14CKT HYBRID: SD-34773-010

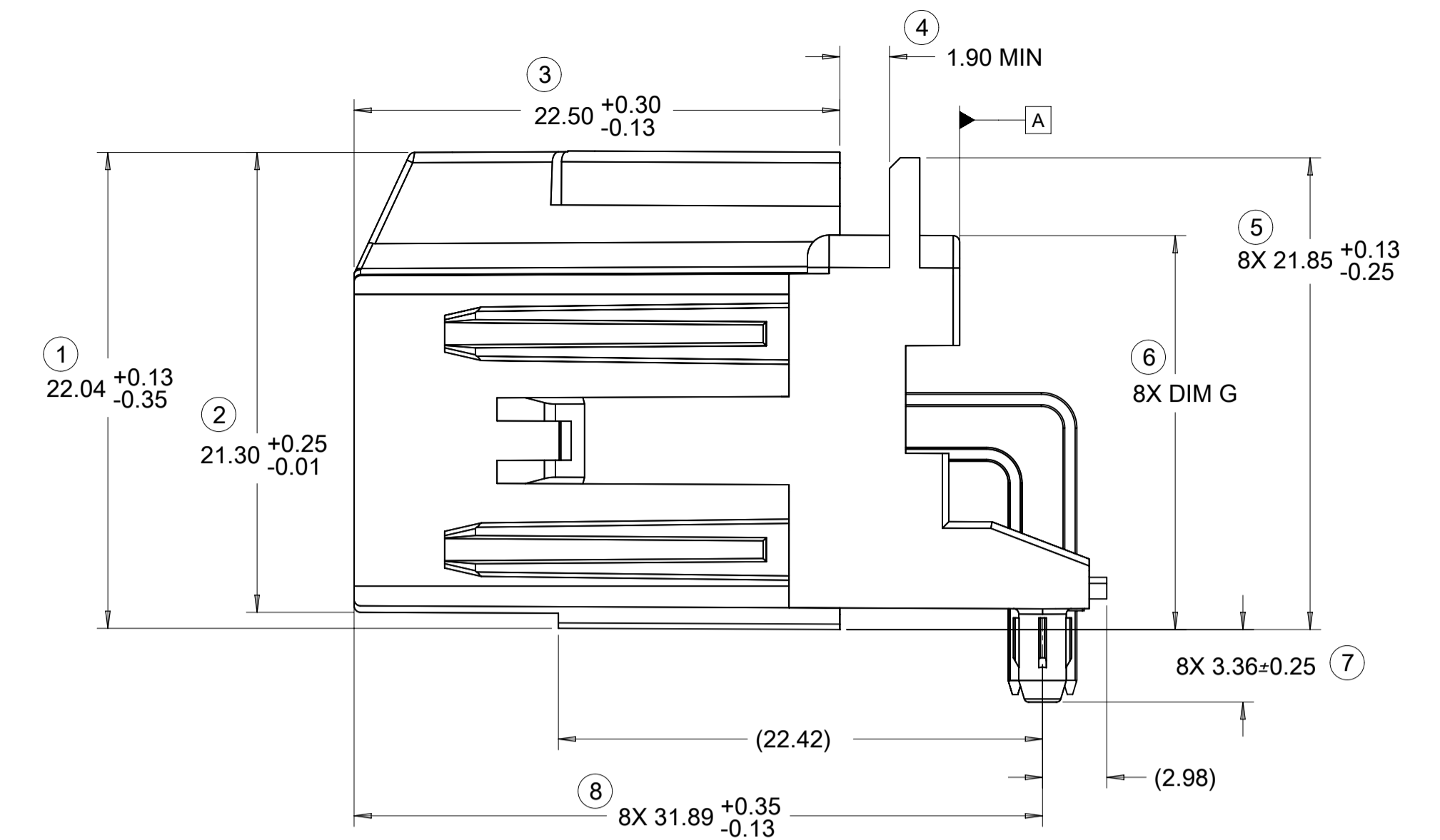
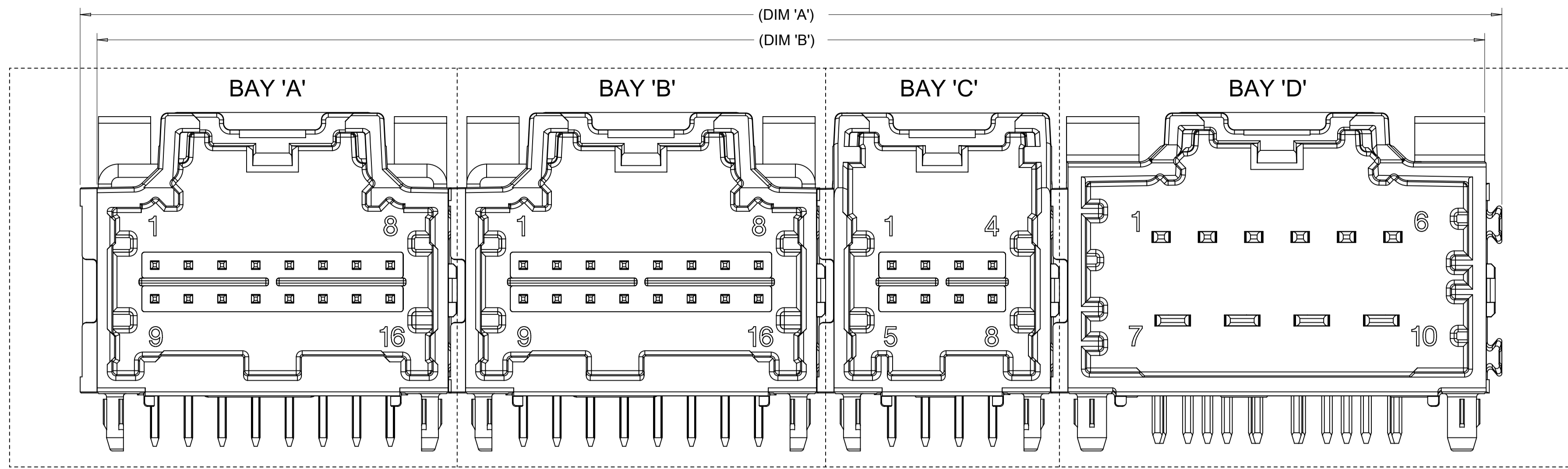
- 5.  DENOTES DIMENSIONS THAT MAY BE QUALIFIED WITH A GAUGE.

QUALITY SYMBOLS 	THIS DRAWING CONTAINS INFORMATION THAT IS PROPRIETARY TO MOLEX ELECTRONIC TECHNOLOGIES, LLC AND SHOULD NOT BE USED WITHOUT WRITTEN PERMISSION									
	EC NO: 612618 DRWN: SHANDITHAVAL CHKD: RBAUMAN APPR: RBAUMAN	2019/02/22 2019/02/23 2019/02/23	GENERAL TOLERANCES (UNLESS SPECIFIED) DIMENSION UNITS: mm SCALE: 4:1	DRWN BY: JFISCHER01 DATE: 2013/05/31			STAC64 4-BAY PAP R/A LONG PIN HEADER ASSEMBLY SALES DRAWING			
		4 PLACES ± 3 PLACES ± 2 PLACES ± 0.13 1 PLACE ± 0.25 0 PLACES ±	ANGULAR TOL ± 1.0 ° CHK'D BY: RBAUMAN DATE: 2013/06/04							
	DRAFT WHERE APPLICABLE MUST REMAIN WITHIN DIMENSIONS		DRAWING SIZE: A1 THIRD ANGLE PROJECTION	PRODUCT CUSTOMER DRAWING			SERIES: 34997 MATERIAL NUMBER: SEE CHART CUSTOMER: GENERAL MARKET			
C8		DOCUMENT NUMBER: SD-34997-400 DOC TYPE: PSD DOC PART: 001 SHEET NUMBER: 1 OF 5								

DIMENSIONAL CHART FOR MULTIBAY CONFIGURATION:

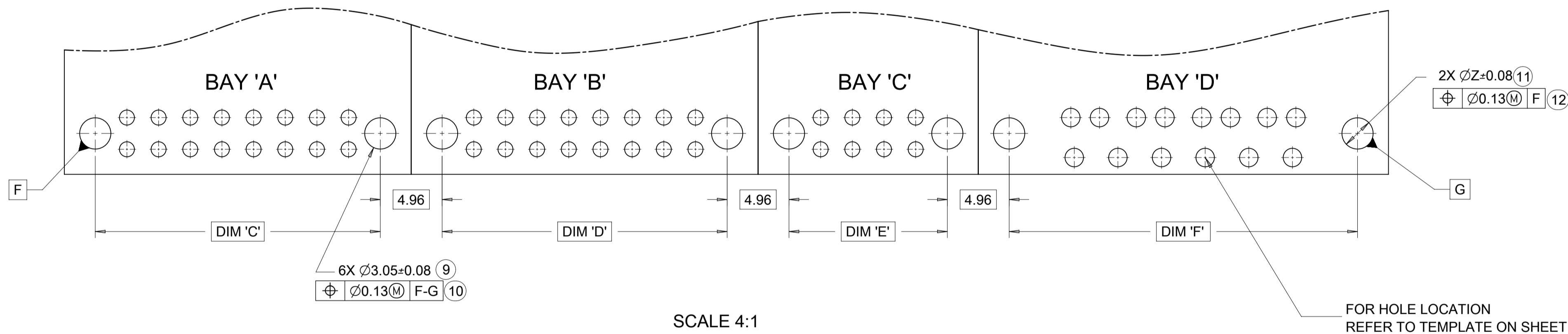
4 BAY PART NUMBER (TUBE PKG)	4 BAY PART NUMBER (TRAY PKG)	BAY A			BAY B			BAY C			BAY D			DIM 'A'	DIM 'B'	DIM 'C'	DIM 'D'	DIM 'E'	DIM 'F'
		CKT	TYPE	POL	CKT	TYPE	POL	CKT	TYPE	POL	CKT	TYPE	POL						
TBD	34997-4000	16	0.64mm	B	16	0.64mm	A	8	0.64mm	A	10	HYBRID	A	107.34	104.87	22.86	22.86	12.70	27.94
TBD	34997-4001	8	0.64mm	A	20	0.64mm	C	20	0.64mm	B	10	HYBRID	A	117.50	115.03	12.70	27.94	27.94	27.94
TBD	34997-4002	20	0.64mm	A	20	0.64mm	B	20	0.64mm	C	20	0.64mm	D	132.74	130.27	27.94	27.94	27.94	27.94
TBD	34997-4003	20	0.64mm	A	20	0.64mm	B	20	0.64mm	C	10	HYBRID	A	132.74	130.27	27.94	27.94	27.94	27.94
34997-9004	34997-4004	12	0.64mm	A	12	0.64mm	B	16	0.64mm	A	16	0.64mm	B	102.26	99.79	17.78	17.78	22.86	22.86

QUALITY SYMBOLS FA = 0 FB = 0 FC = 0 FD = 0 FE = 0 FF = 0 FG = 0 FH = 0 FI = 0 FJ = 0 FK = 0 FL = 0 FM = 0 FN = 0 FO = 0 FP = 0 FQ = 0 FR = 0 FS = 0 FT = 0 FU = 0 FV = 0 FW = 0 FX = 0 FY = 0 FZ = 0 FA0 = 0 FA1 = 0 FA2 = 0 FA3 = 0 FA4 = 0 FA5 = 0 FA6 = 0 FA7 = 0 FA8 = 0 FA9 = 0 FA10 = 0 FA11 = 0 FA12 = 0 FA13 = 0 FA14 = 0 FA15 = 0 FA16 = 0 FA17 = 0 FA18 = 0 FA19 = 0 FA20 = 0 FA21 = 0 FA22 = 0 FA23 = 0 FA24 = 0 FA25 = 0 FA26 = 0 FA27 = 0 FA28 = 0 FA29 = 0 FA30 = 0 FA31 = 0 FA32 = 0 FA33 = 0 FA34 = 0 FA35 = 0 FA36 = 0 FA37 = 0 FA38 = 0 FA39 = 0 FA40 = 0 FA41 = 0 FA42 = 0 FA43 = 0 FA44 = 0 FA45 = 0 FA46 = 0 FA47 = 0 FA48 = 0 FA49 = 0 FA50 = 0 FA51 = 0 FA52 = 0 FA53 = 0 FA54 = 0 FA55 = 0 FA56 = 0 FA57 = 0 FA58 = 0 FA59 = 0 FA60 = 0 FA61 = 0 FA62 = 0 FA63 = 0 FA64 = 0 FA65 = 0 FA66 = 0 FA67 = 0 FA68 = 0 FA69 = 0 FA70 = 0 FA71 = 0 FA72 = 0 FA73 = 0 FA74 = 0 FA75 = 0 FA76 = 0 FA77 = 0 FA78 = 0 FA79 = 0 FA80 = 0 FA81 = 0 FA82 = 0 FA83 = 0 FA84 = 0 FA85 = 0 FA86 = 0 FA87 = 0 FA88 = 0 FA89 = 0 FA90 = 0 FA91 = 0 FA92 = 0 FA93 = 0 FA94 = 0 FA95 = 0 FA96 = 0 FA97 = 0 FA98 = 0 FA99 = 0	THIS DRAWING CONTAINS INFORMATION THAT IS PROPRIETARY TO MOLEX ELECTRONIC TECHNOLOGIES, LLC AND SHOULD NOT BE USED WITHOUT WRITTEN PERMISSION									
	EC NO: 612618 DRWN: SHANDITHAVAL CHKD: RBAUMAN APPR: RBAUMAN	2019/02/22 2019/02/23 2019/02/23	GENERAL TOLERANCES (UNLESS SPECIFIED) DIMENSION UNITS: mm SCALE: 1:1 DRWN BY: JFISCHER01 DATE: 2013/05/31 ANGULAR TOL ± 1.0 ° 4 PLACES ± 3 PLACES ± 2 PLACES ± 0.13 1 PLACE ± 0.25 0 PLACES ± APPR BY: RBAUMAN DATE: 2013/06/04 DRAFT WHERE APPLICABLE MUST REMAIN WITHIN DIMENSIONS DRAWING SIZE: A1 THIRD ANGLE PROJECTION	STAC64 4-BAY PAP R/A LONG PIN HEADER ASSEMBLY SALES DRAWING PRODUCT CUSTOMER DRAWING						
	C8	SERIES: 34997 MATERIAL NUMBER: SEE CHART CUSTOMER: GENERAL MARKET								
	RELEASE STATUS: P1 RELEASE DATE: 2019/02/23 23:33:07	DOCUMENT NUMBER: SD-34997-400 DOC TYPE: PSD DOC PART: 001 SHEET NUMBER: 2 OF 5								



FOR DIM G:	
8-20CKT 0.64mm	18.40 MAX
10/14CKT Hybrid	18.59 MAX

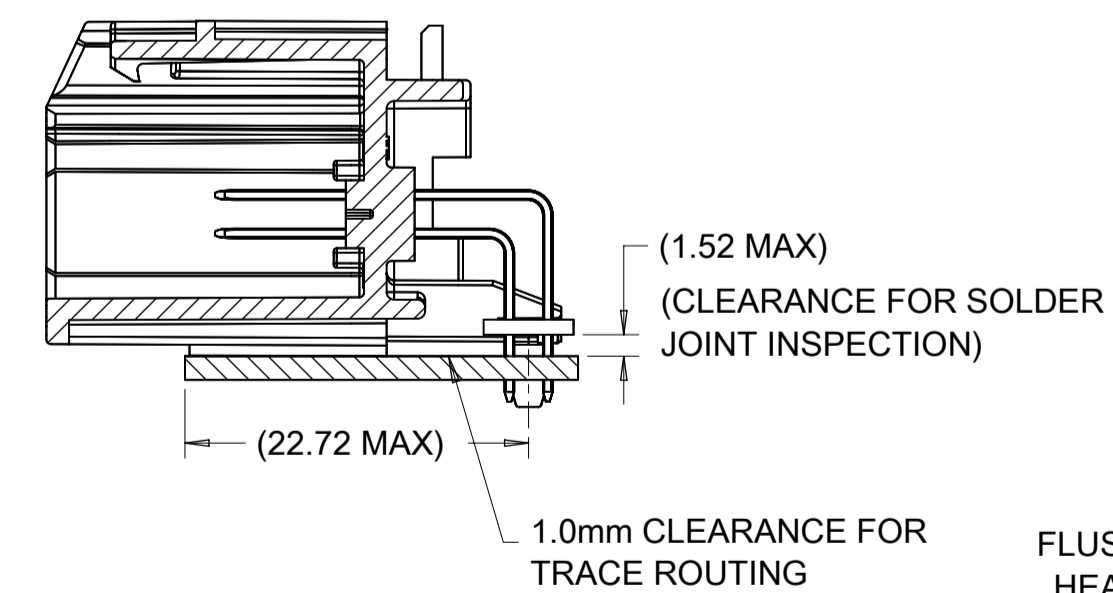
RECOMMENDED PCB LAYOUT
INSERT NECESSARY BAYS USING CHART ON SHEET 2



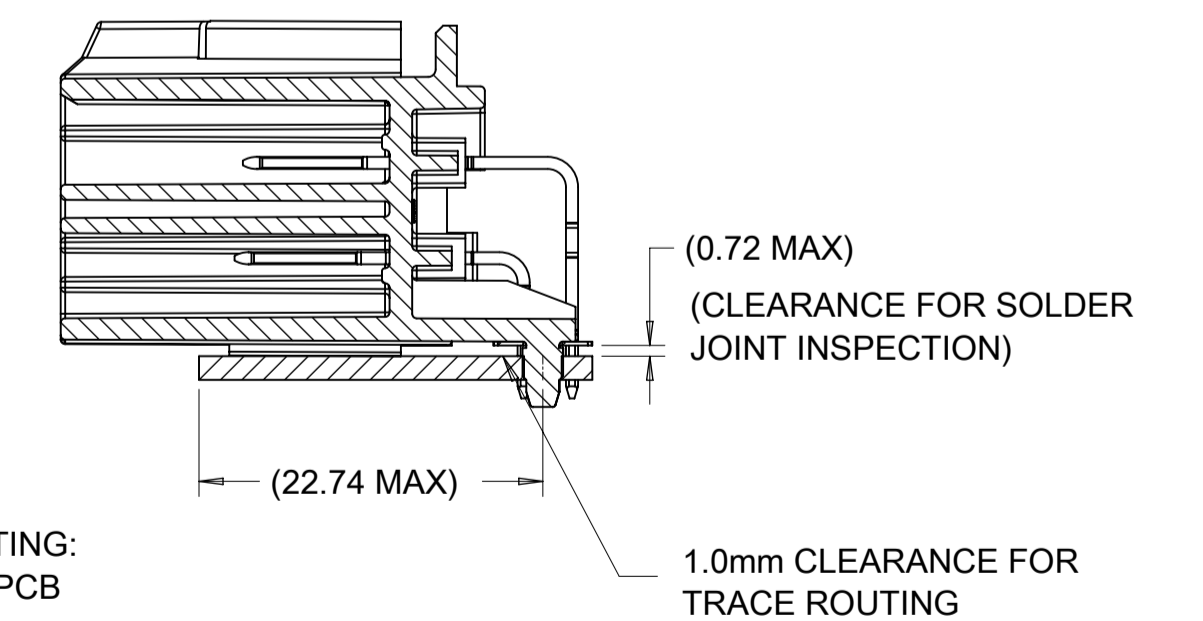
POST HOLE TABLE:

FOR DIM Z:	
PRESS FIT:	2.60
DROP IN:	3.05

8-20CKT 0.64mm

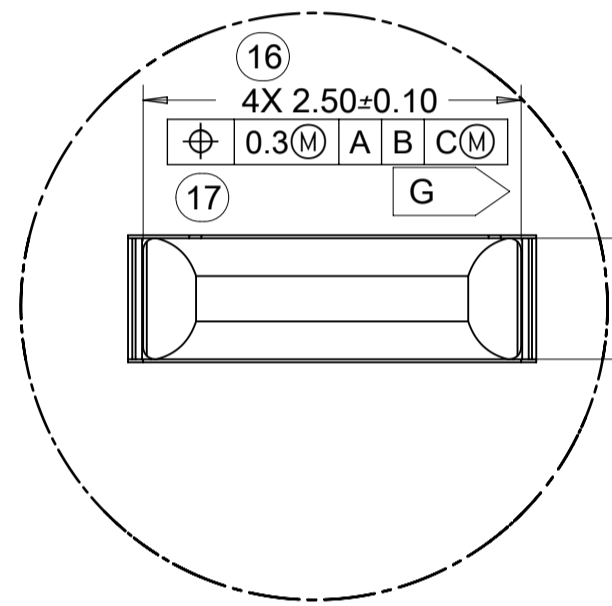
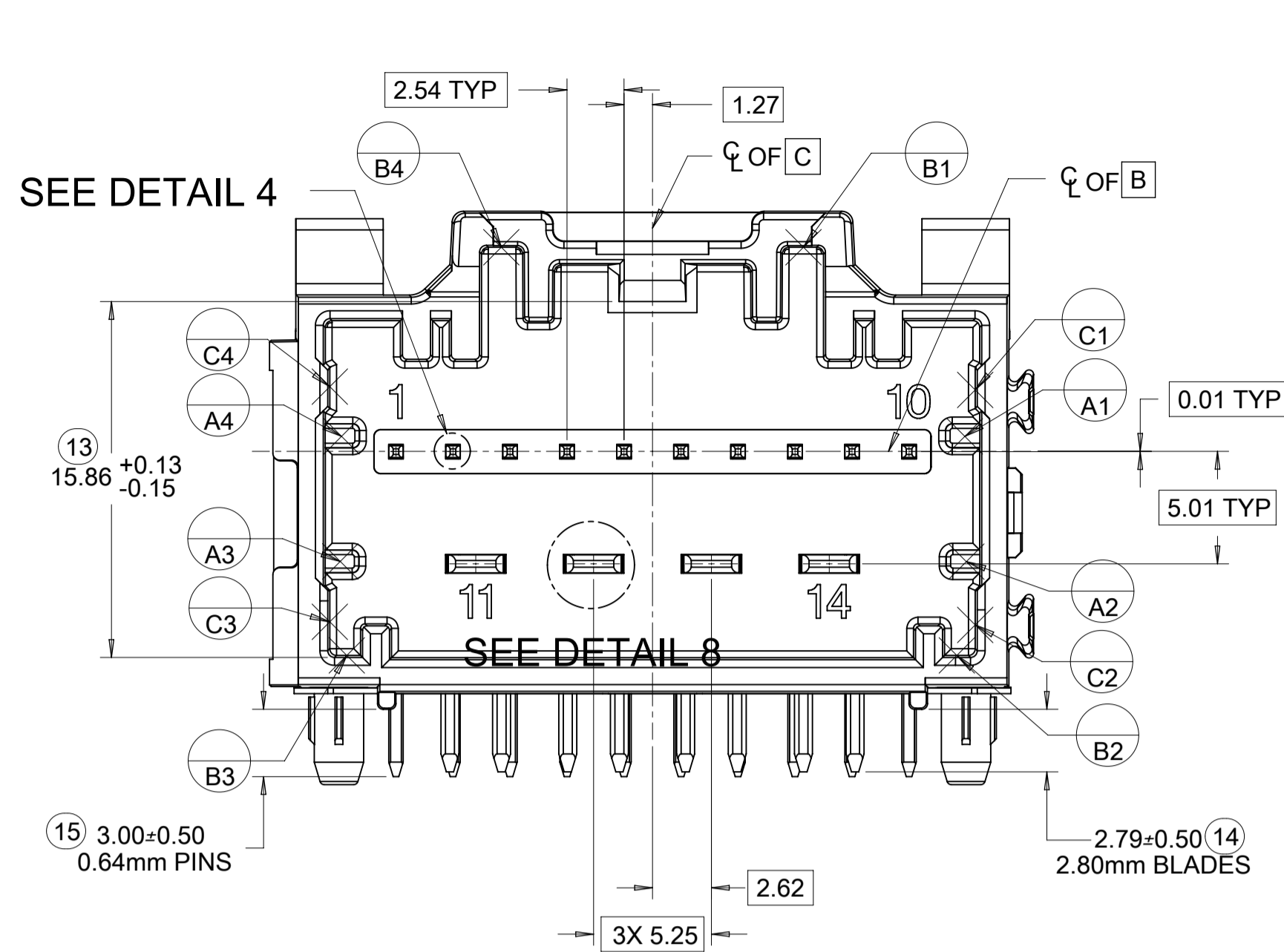


10/14CKT HYBRID



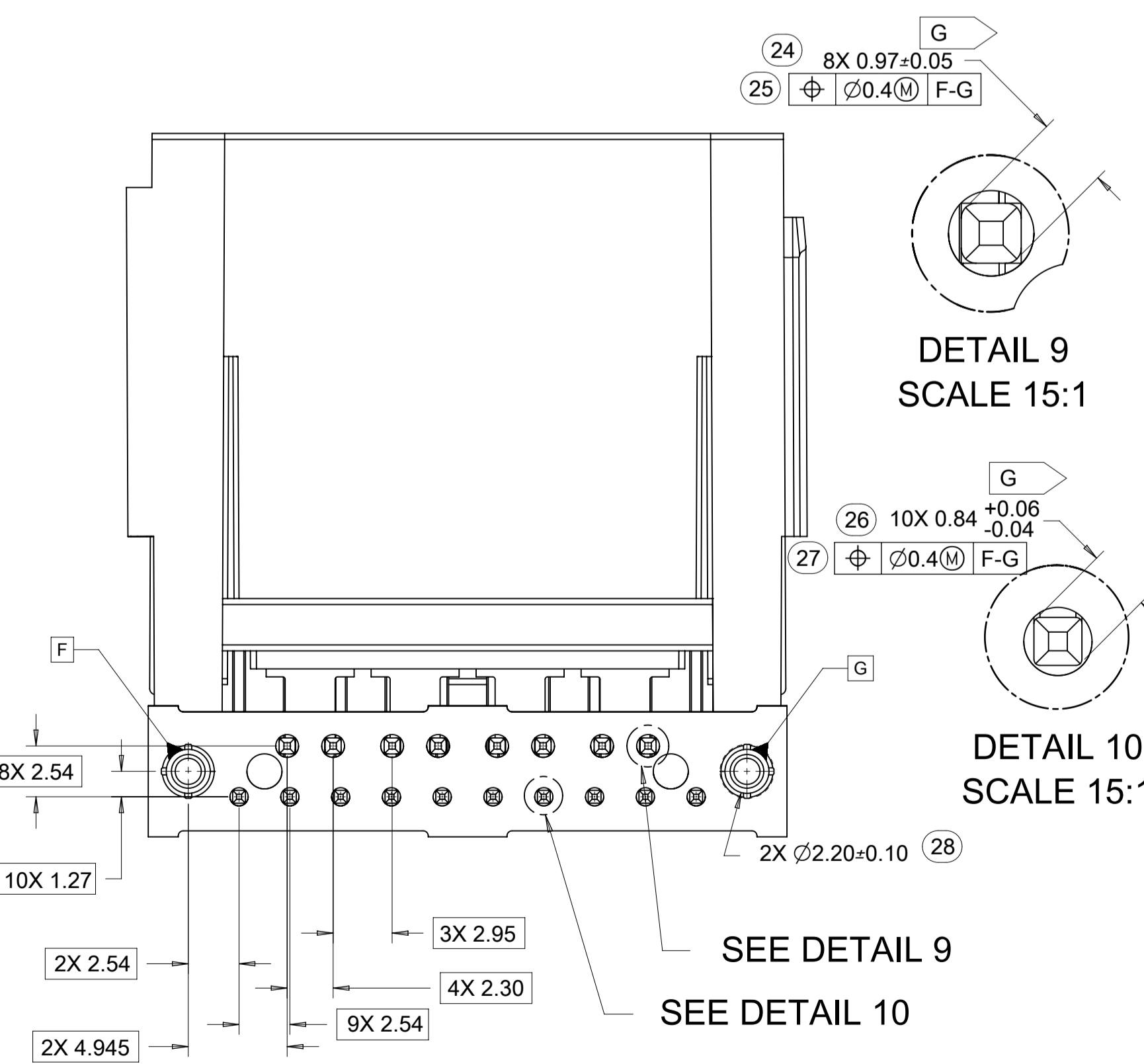
QUALITY SYMBOLS F _A = 0 F _E = 0 F _G = 0 ▽ = 0 C = 0 □ = 0 ■ = 0 ▽ = 0	THIS DRAWING CONTAINS INFORMATION THAT IS PROPRIETARY TO MOLEX ELECTRONIC TECHNOLOGIES, LLC AND SHOULD NOT BE USED WITHOUT WRITTEN PERMISSION					
	EC NO: 612618 DRWN: SHANDHAVAVAL CHKD: RBAUMAN REV APPR: RBAUMAN	2019/02/22 2019/02/23 2019/02/23	GENERAL TOLERANCES (UNLESS SPECIFIED) ANGULAR TOL ± 1.0 ° 4 PLACES ± 3 PLACES ± 2 PLACES ± 0.13 1 PLACE ± 0.25 0 PLACES ±	DIMENSION UNITS: mm SCALE: 4:1 DRWN BY: JFISCHER01 DATE: 2013/05/31 CHK'D BY: [blank] DATE: [blank] APPR BY: RBAUMAN DATE: 2013/06/04		STAC64 4-BAY PAP R/A LONG PIN HEADER ASSEMBLY SALES DRAWING
	DRAFT WHERE APPLICABLE MUST REMAIN WITHIN DIMENSIONS			DRAWING SIZE: A1 THIRD ANGLE PROJECTION		PRODUCT CUSTOMER DRAWING
	RELEASE STATUS: P1 RELEASE DATE: 2019/02/23 23:33:07	SERIES: 34997 MATERIAL NUMBER: SEE CHART CUSTOMER: GENERAL MARKET	DOCUMENT NUMBER: SD-34997-400 DOC TYPE: PSD DOC PART: 001 SHEET NUMBER: 3 OF 5			

14 CKT STAC HYBRID HEADER DETAILS

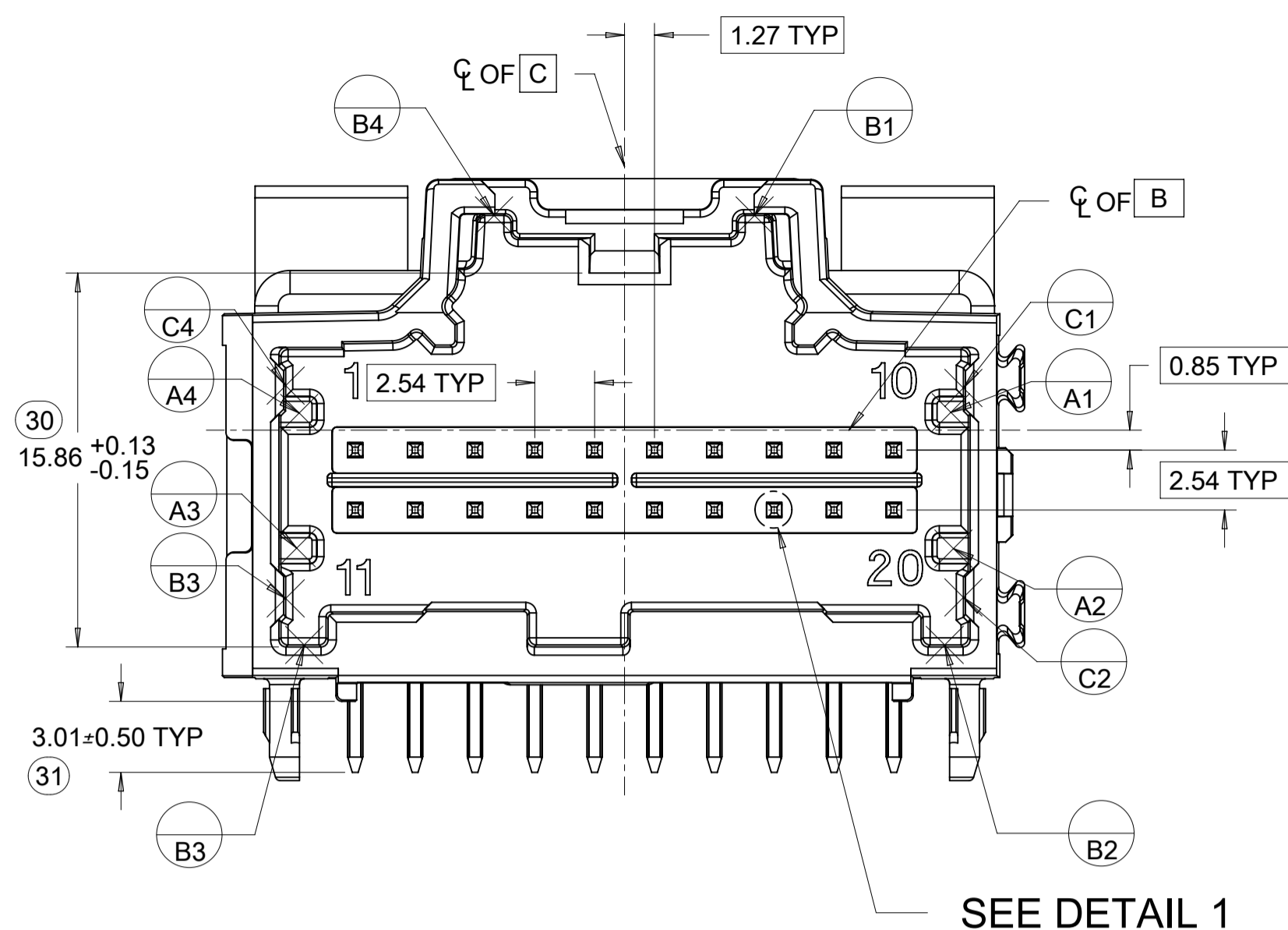


DETAIL 4 SCALE 20:1

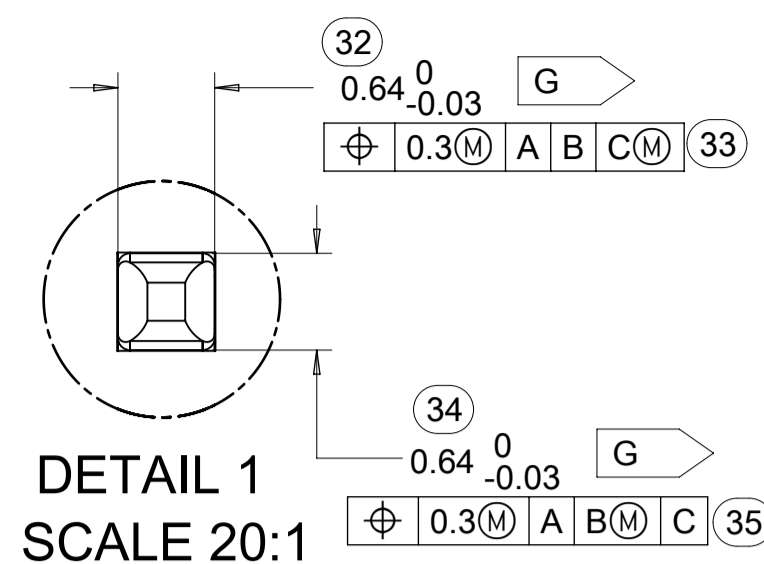
DETAIL 8 SCALE 20:1



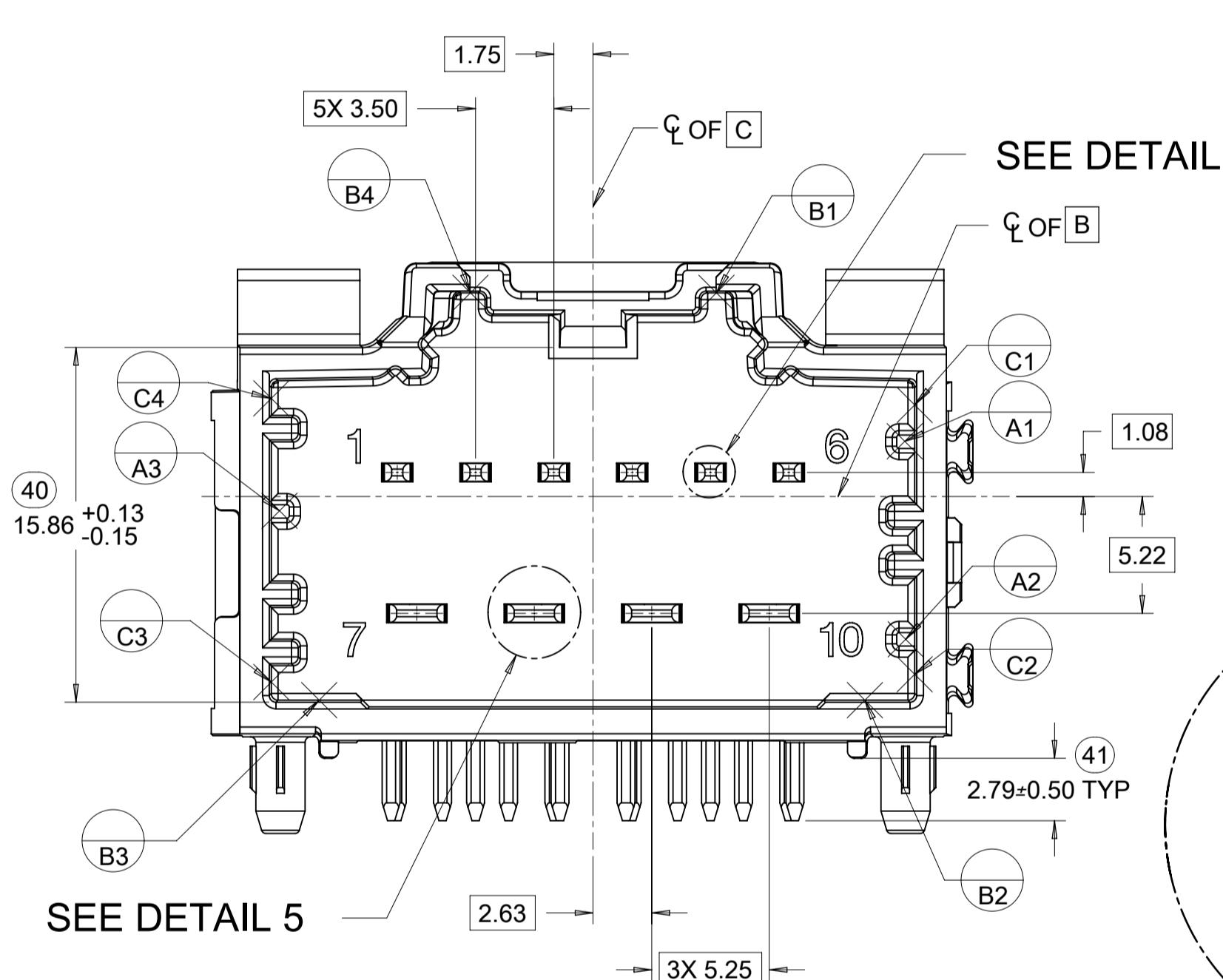
DETAIL 10 SCALE 15:1



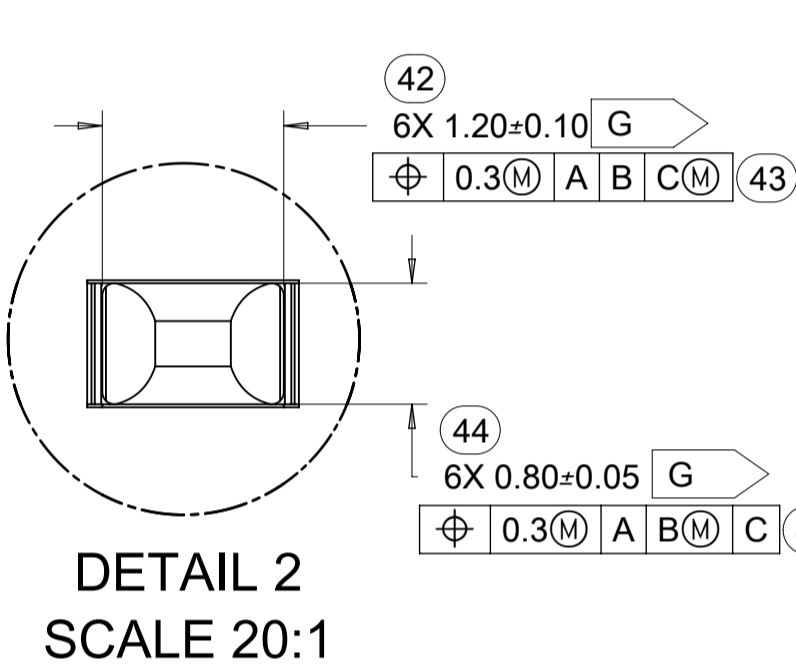
SEE DETAIL 1



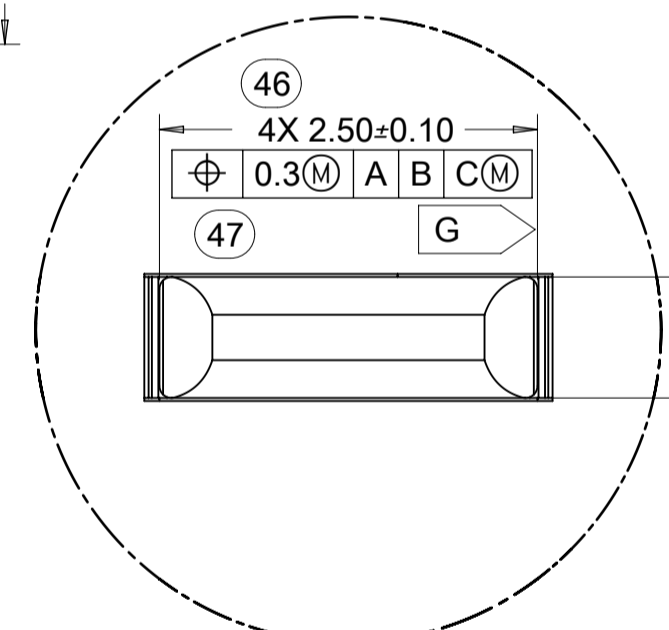
DETAIL 1 SCALE 20:1



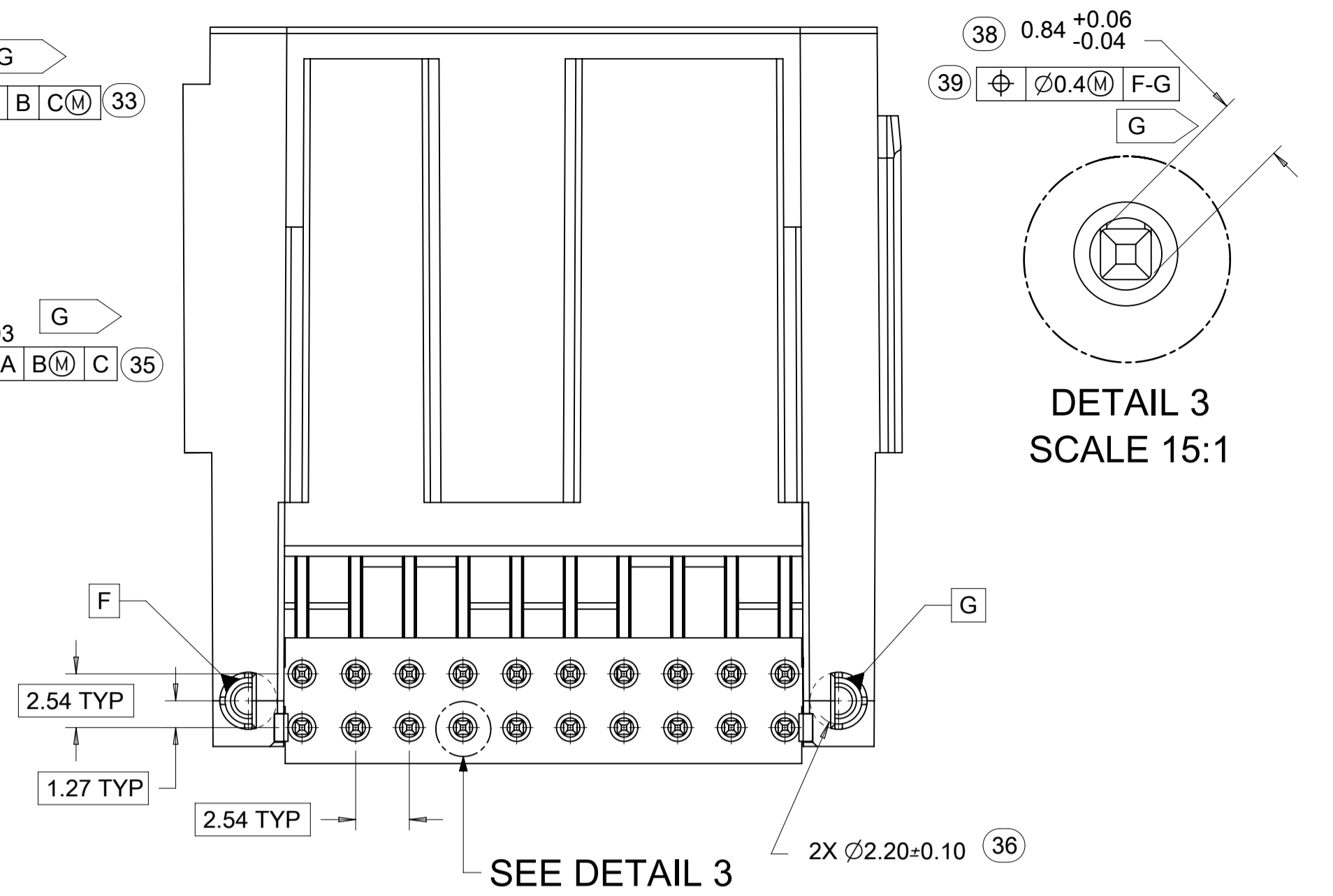
SEE DETAIL 2



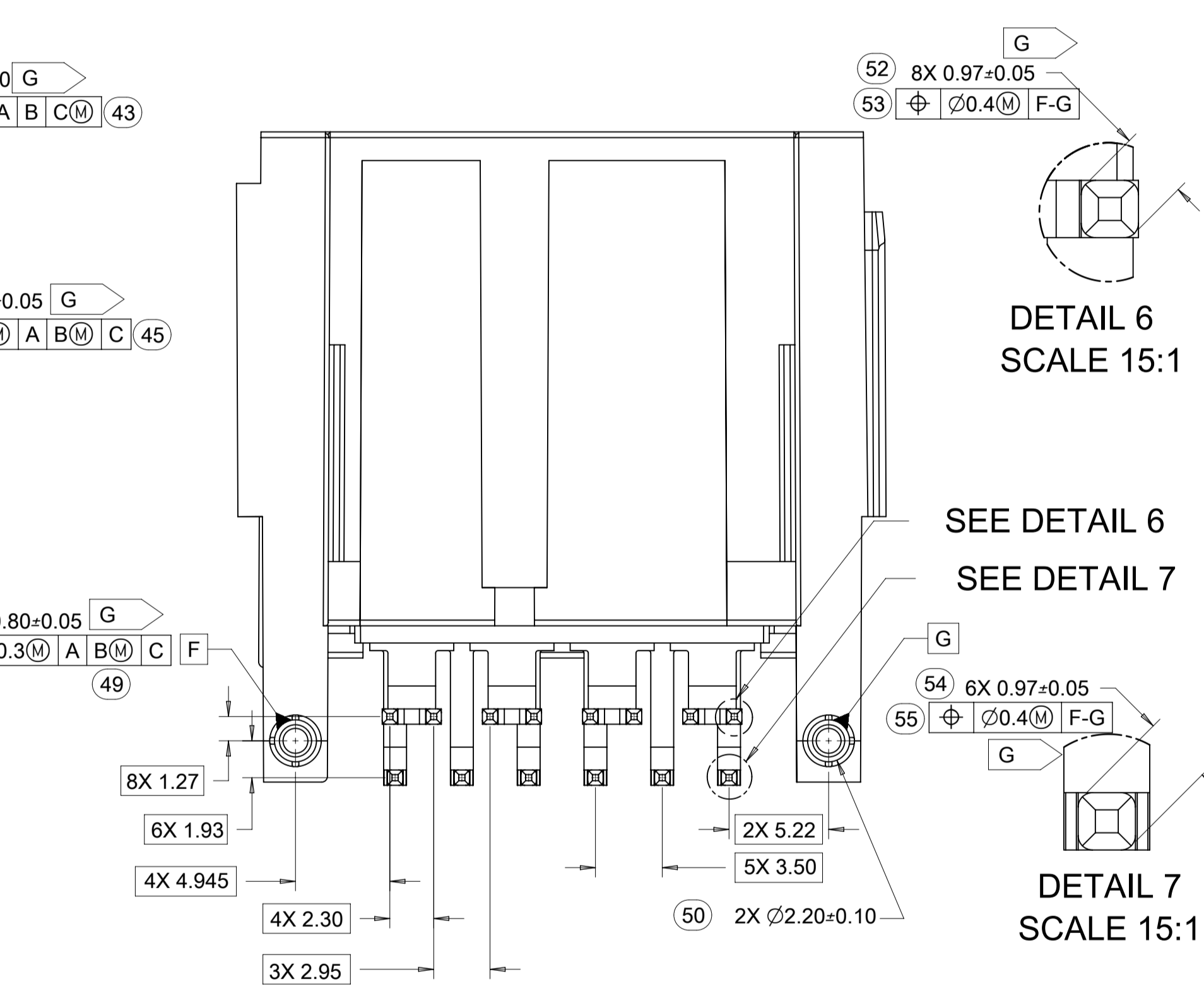
DETAIL 2 SCALE 20:1



DETAIL 5 SCALE 20:1



DETAIL 3 SCALE 15:1

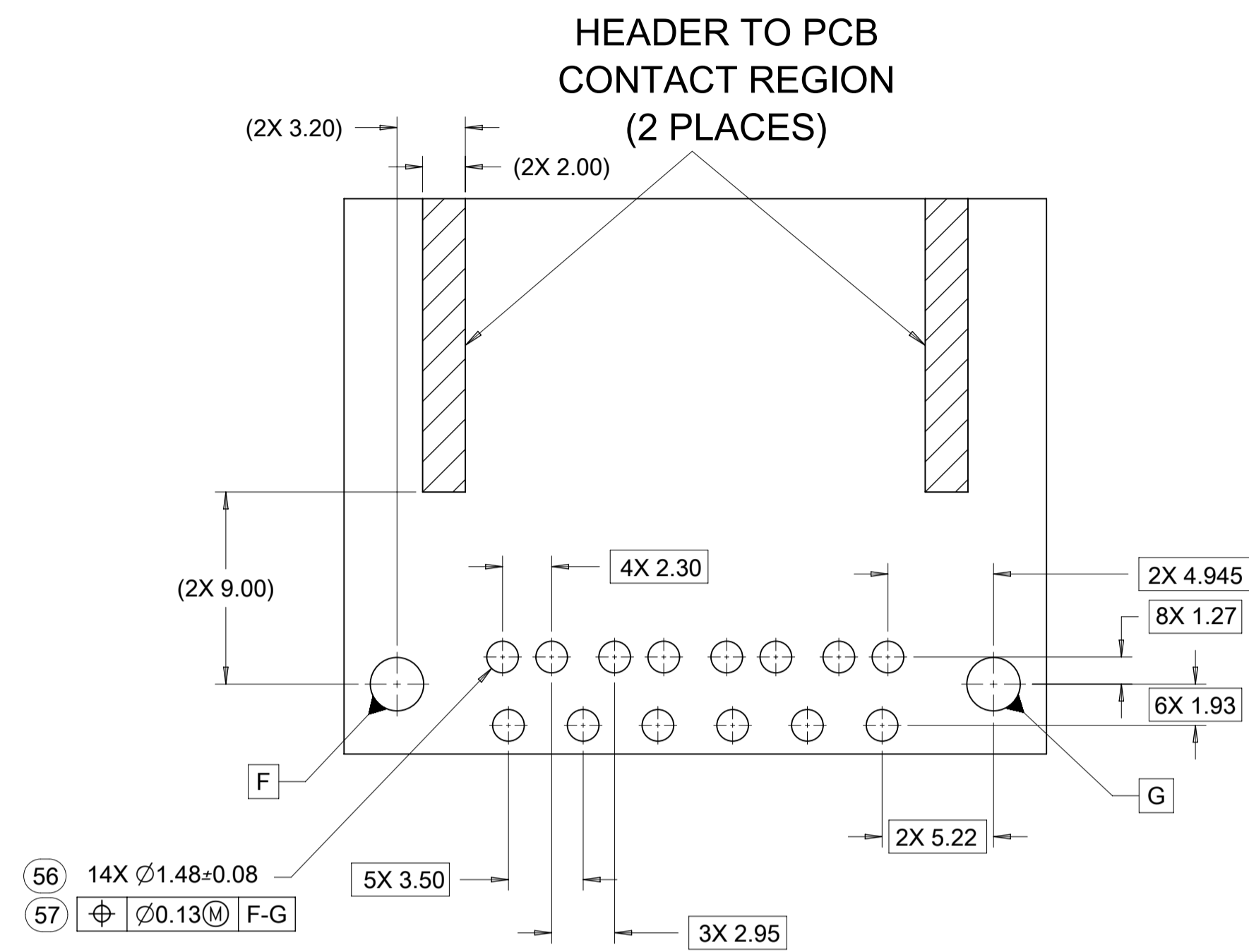


DETAIL 6 SCALE 15:1

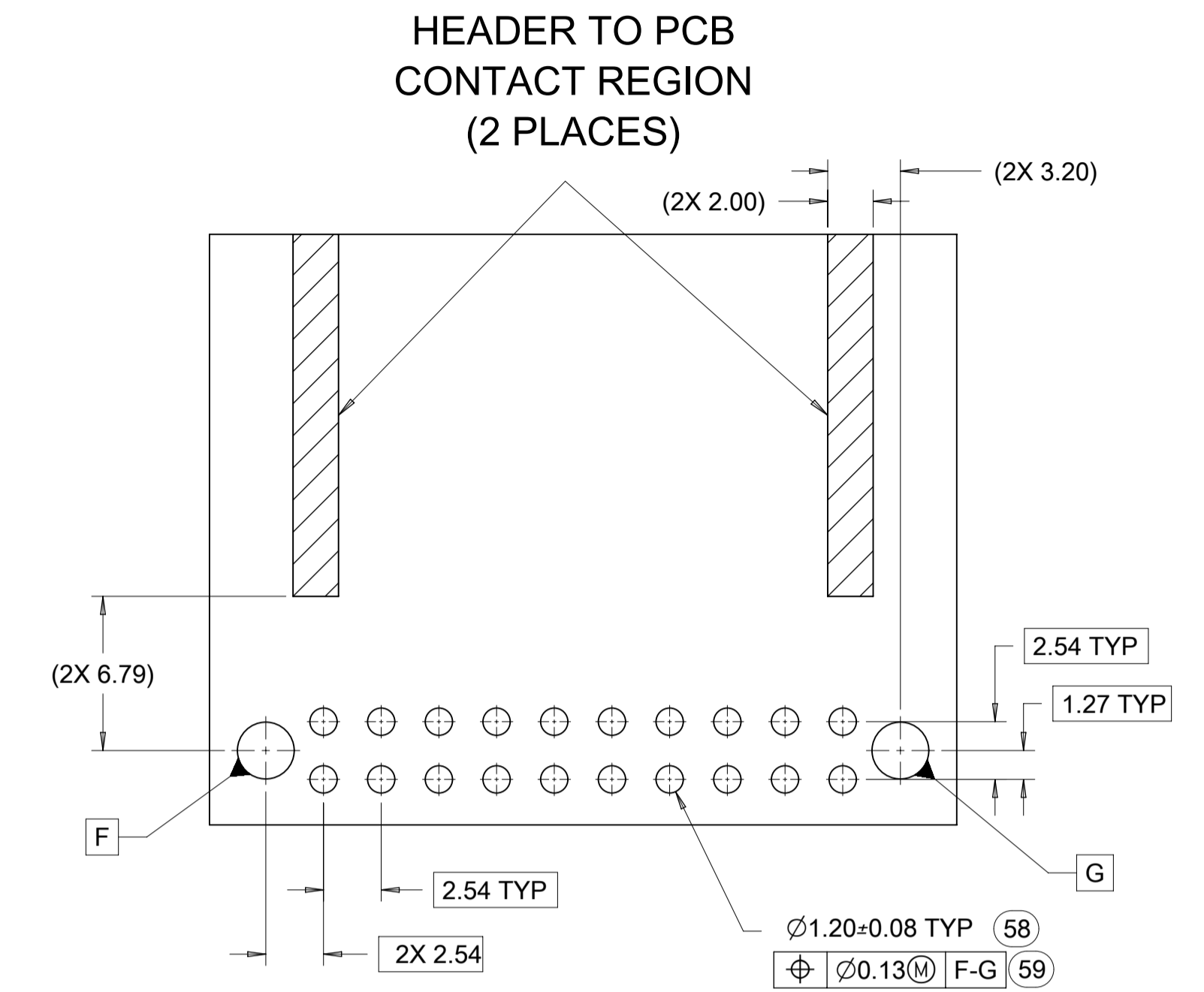
DETAIL 7 SCALE 15:1

QUALITY SYMBOLS F = 0 E = 0 E = 0 ▽ = 0 C = 0 □ = 0 ■ = 0 ▽ = 0	THIS DRAWING CONTAINS INFORMATION THAT IS PROPRIETARY TO MOLEX ELECTRONIC TECHNOLOGIES, LLC AND SHOULD NOT BE USED WITHOUT WRITTEN PERMISSION			
	EC NO: 612618 DRWN: SHANDITHAVAL CHKD: RBAUMAN APPR: RBAUMAN	2019/02/22 2019/02/23 2019/02/23	GENERAL TOLERANCES (UNLESS SPECIFIED) ANGULAR TOL ± 1.0 ° 4 PLACES ± 3 PLACES ± 2 PLACES ± 0.13 1 PLACE ± 0.25 0 PLACES ± DRAFT WHERE APPLICABLE MUST REMAIN WITHIN DIMENSIONS	DIMENSION UNITS: mm SCALE: 4:1 DRWN BY: JFISCHER01 DATE: 2013/05/31 CHKD BY: RBAUMAN DATE: 2013/06/04 APPR BY: RBAUMAN DATE: 2013/06/04 DRAWING SIZE: A1 THIRD ANGLE PROJECTION

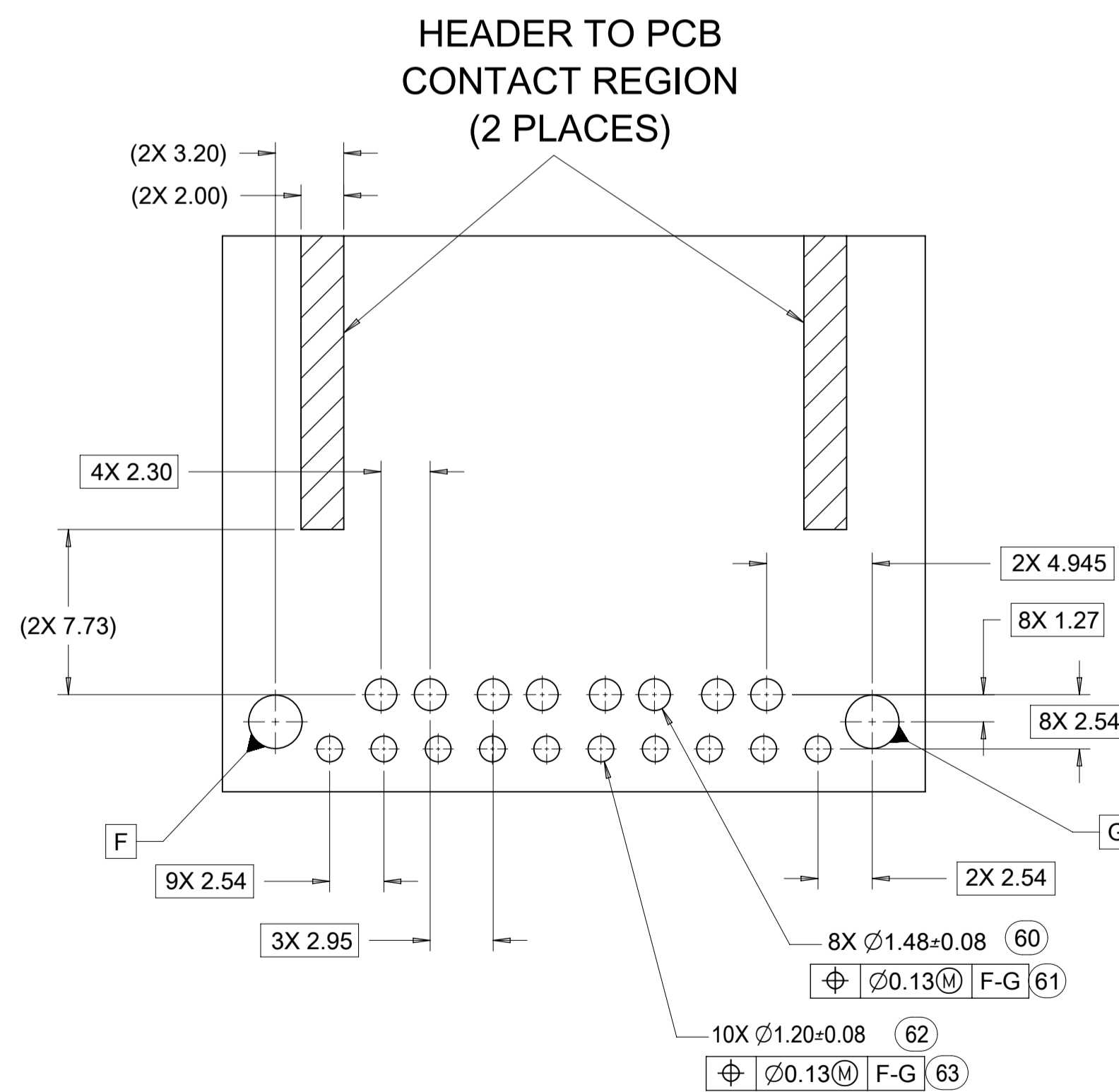
10 CKT HYBRID TEMPLATE PCB LAYOUT



8-20CKT 0.64mm TEMPLATE PCB LAYOUT



14 CKT HYBRID TEMPLATE PCB LAYOUT



THIS DRAWING CONTAINS INFORMATION THAT IS PROPRIETARY TO MOLEX ELECTRONIC TECHNOLOGIES, LLC AND SHOULD NOT BE USED WITHOUT WRITTEN PERMISSION											
QUALITY SYMBOLS	EC NO: 612618 DRWN: SHANDITHAVAL CHKD: RBAUMAN APPR: RBAUMAN	GENERAL TOLERANCES (UNLESS SPECIFIED)		DIMENSION UNITS	SCALE						
		ANGULAR TOL ± 1.0 °		mm	4:1						
FA = 0	C8 REV:	4 PLACES ±		DRWN BY	DATE	STAC64 4-BAY PAP R/A LONG PIN HEADER ASSEMBLY SALES DRAWING					
FE = 0		3 PLACES ±		CHK'D BY	DATE						
FF = 0		2 PLACES ± 0.13		APPR BY	DATE	PRODUCT CUSTOMER DRAWING					
FG = 0		1 PLACE ± 0.25		RBAUMAN	2013/06/04						
GH = 0		0 PLACES ±		DRAWING SIZE	THIRD ANGLE PROJECTION	SERIES	MATERIAL NUMBER	CUSTOMER			
GI = 0		DRAFT WHERE APPLICABLE MUST REMAIN WITHIN DIMENSIONS		A1		34997	SEE CHART	GENERAL MARKET			
GL = 0					DOCUMENT NUMBER	DOC TYPE	DOC PART	SHEET NUMBER			
					SD-34997-400	PSD	001	5 OF 5			