



## 10W Compact Fixed Blade USB Adapter



### Features

- Fixed Blade
- Very low leakage
- Level VI Compliant
- Low Cost
- OVP, OCP and short circuit protection

### Applications

- Tablets
- Portable GPS Devices
- Personal Electronics
- Digital Camera

### Safety Approvals

- cULus 62368-1
- CB (IEC62368-1)
- CE

### Output Specifications

Model	DC Output Voltage	Max Load	Ripple <sup>1</sup> (pk-pk)	Regulation		Plug Type	Safety Approvals	Case Color
				Line	Load			
AQ10A-050B-H <sup>2</sup>	5V	2.0A	150mV	±5%		US	UL	Black
AQ10A-050BP-H <sup>3</sup>	5V	2.0A	150mV	±5%		US	UL	Black
AQ10A-050BW-H <sup>2</sup>	5V	2.0A	150mV	±5%		US	UL	White
AQ10E-050B-H <sup>2</sup>	5V	2.0A	150mV	±5%		EU	CE/CB	Black
AQ10E-050BP-H <sup>3</sup>	5V	2.0A	150mV	±5%		EU	CE/CB	Black
AQ10E-050BW-H <sup>2</sup>	5V	2.0A	150mV	±5%		EU	CE/CB	White
AQ10K-050B-H <sup>2</sup>	5V	2.0A	150mV	±5%		UK	CE/CB	Black
AQ10K-050BW-H <sup>2</sup>	5V	2.0A	150mV	±5%		UK	CE/CB	White

#### Notes

1. Measuring is done by 20MHz bandwidth oscilloscope and terminated each output with a 10uF aluminum electrolytic capacitor and a 0.1uF ceramic capacitor.
2. Special Order MOQ; The charging scheme: Data Lines (Pins 2 and 3) Shorted.
3. The AQ10A-050BP-H and AQ10E-050BP-H support 5 charging methods:
  - a. Divider 1 (DCP Applying 2V on D+ Line and 2.7V on D- Line)
  - b. Divider 2 (DCP Applying 2.7V on D+ Line and 2V on D- Line)
  - c. USB Battery Charging Specification Revision 1.2 (BC1.2)
  - d. Chinese Telecommunications Industry Standard YD/T 1591-2009
  - e. 1.2V on both D+ and D- lines

**INPUT:****AC Input Voltage Rating**

100 to 240VAC

**AC Input Voltage Range**

90 to 264VAC

**AC Input Current**

0.28A (RMS) max at 115VAC/60Hz

0.16A (RMS) max at 230VAC/50Hz

**Leakage Current**

125uA max @264Vac/50Hz

**Inrush Current (cold)**

&lt;60A max @230VAC/50Hz

(Cold start @ ambient 25°C)

**Input Power Saving**

≤75mW @no load at 230VAC/50Hz

**OUTPUT:****Power**

10W Continuous

**Efficiency<sup>2</sup>**

DOE Level VI

CoC V5 Tier 2

**Hold-up Time**

6mS min at 115Vac/60Hz

**ENVIRONMENTAL:****Temperature**

Operation 0°C to +40°C

Non-operation -20°C to +70°C

Humidity 90%

**Emissions**

Complies with FCC Class B

Complies with EN55032 Class B

**Immunity**

ESD: EN61000-4-2

RS: EN61000-4-3

EFT: EN61000-4-4

Surge: EN61000-4-5

Dip: EN61000-4-11

**Dielectric Withstand (Hi-pot) Test**Primary to Secondary: 3000VAC, 10mA,  
for 1min**Insulation Resistance**Primary to Secondary: >10M ohm 500VDC,  
1 min**FEATURES****Over-voltage Protection**

Output voltage shall not exceed 8V

**Over-current Protection**

Output current shall not exceed 3A

**Short Circuit Protection**

Auto recovery and no component damage

**DC Output Connector**

USB A

## Notes:

1. The characteristics defined are at ambient temperature of 25°C unless otherwise specified
2. Efficiency is measured after 30 minutes burn-in

### Mechanical Characteristics – US Models

- Length: 47mm (1.85in)
- Width: 38mm (1.49in)
- Height: 22.3mm (0.88in)
- Weight: 40g (1.41oz)

### Mechanical Characteristics – EU Models

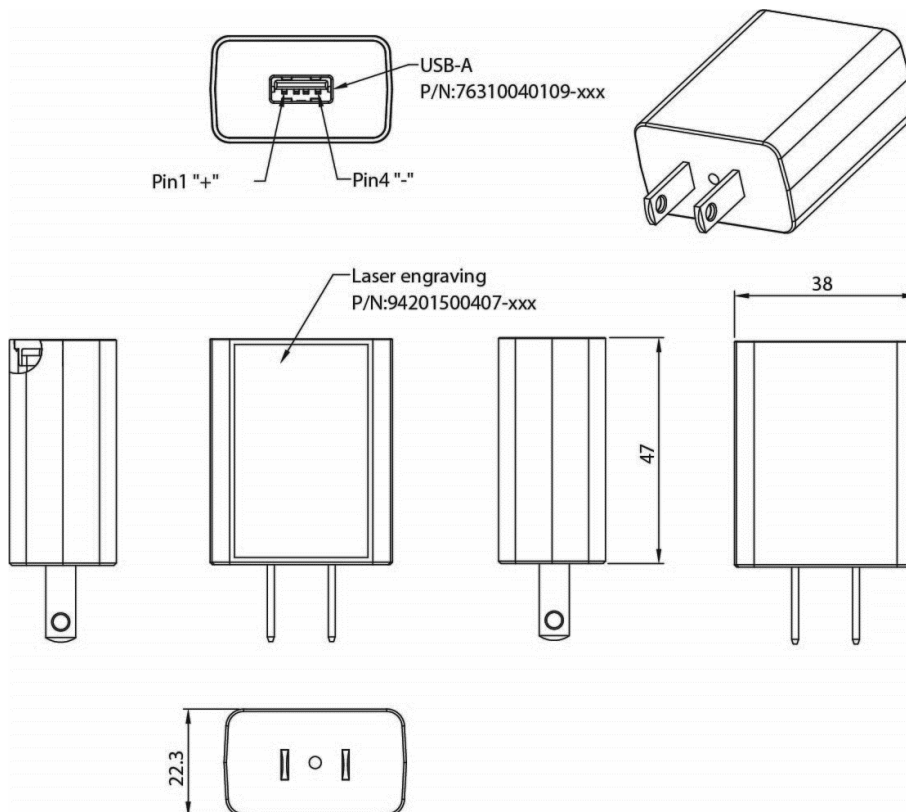
- Length: 59.1mm (2.17in)
- Width: 38mm (1.49in)
- Height: 22.3mm (0.88in)
- Weight: 40g (1.41oz)

### Mechanical Characteristics – UK Models

- Length: 57mm (2.17in)
- Width: 48.3mm (1.90in)
- Height: 22.3mm (0.88in)
- Weight: 40g (1.41oz)

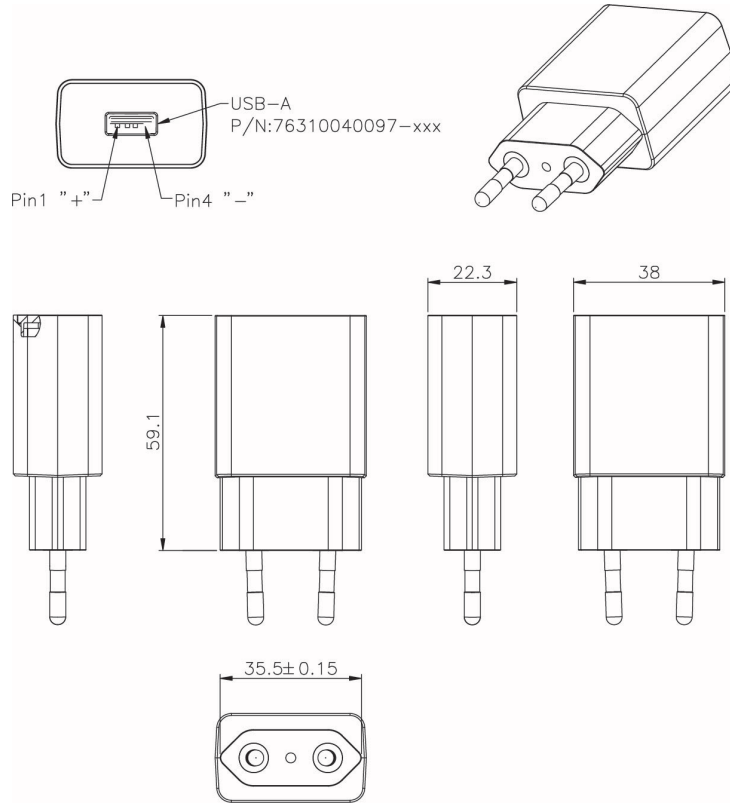
### US Models

### Dimension Diagram Unit: mm



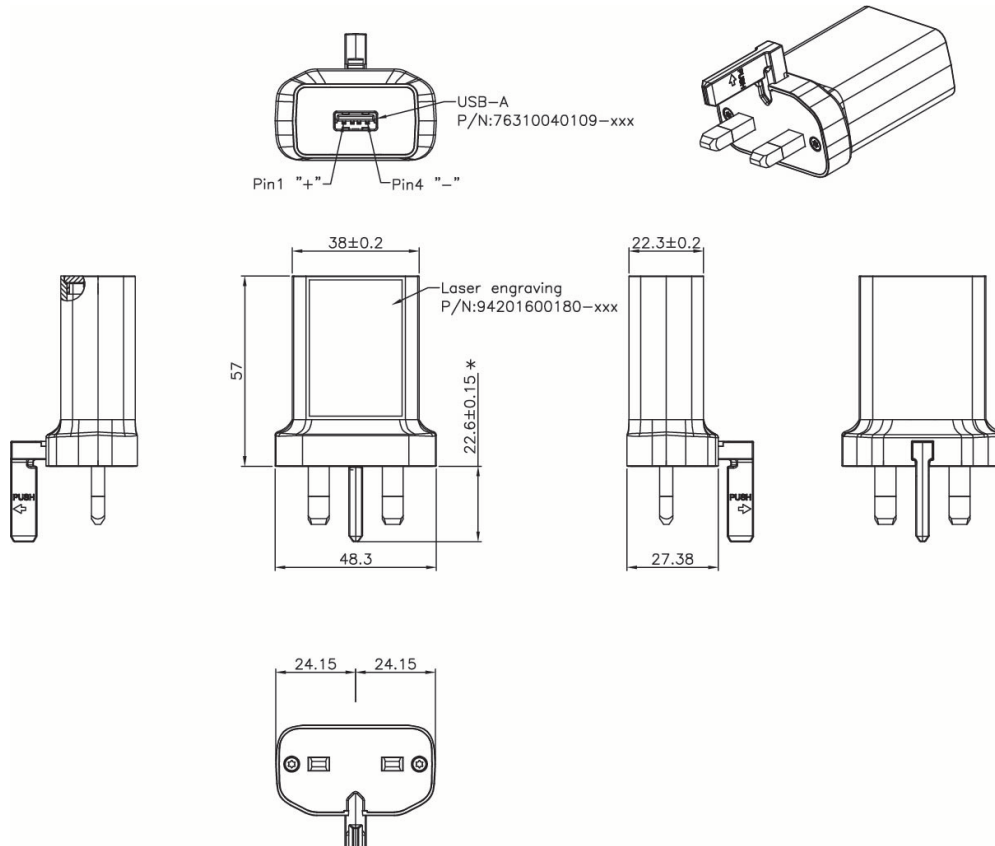
EU Models

Dimension Diagram Unit: mm



UK Models

Dimension Diagram Unit: mm



**Supplier's Declaration of Conformity  
47 CFR § 2.1077 Compliance Information**

**Models: AQ10A-050B-H  
AQ10A-050BP-H  
AQ10A-050BW-H**

Phihong USA Corporation  
47800 Fremont Boulevard  
Fremont, CA 94538  
Telephone: (510) 445-0100  
[www.phihong.com](http://www.phihong.com)

The models in this product series have been tested and found to comply with the limits for a Class B digital device, pursuant to part 15 of the FCC Rules. These limits are designed to provide reasonable protection against harmful interference in a residential installation. This equipment generates, uses and can radiate radio frequency energy and, if not installed and used in accordance with the instructions, may cause harmful interference to radio communications. However, there is no guarantee that interference will not occur in a particular installation. If this equipment does cause harmful interference to radio or television reception, which can be determined by turning the equipment off and on, the user is encouraged to try to correct the interference by one or more of the following measures:

- Reorient or relocate the receiving antenna.
- Increase the separation between the equipment and receiver.
- Connect the equipment into an outlet on a circuit different from that to which the receiver is connected.
- Consult the dealer or an experienced radio/TV technician for help.

Changes or modifications to equipment not expressly approved by PHIHONG could void the user's authority to operate the equipment.