

4

3

2

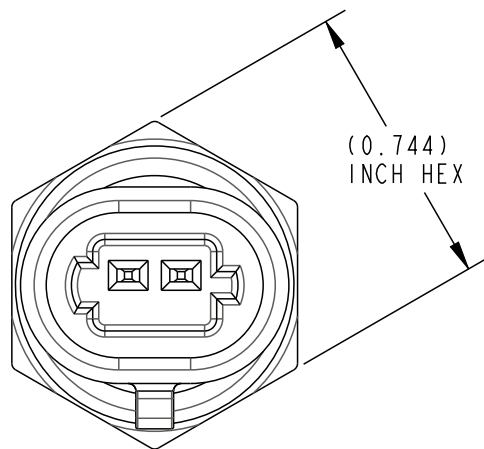
DWG NO. A-1327 SH 1 REV B

1

PROPRIETARY NOTICE: THE INFORMATION CONTAINED IN THIS DOCUMENT IS PROPRIETARY TO AMPHENOL AND SHALL NOT BE DISCLOSED IN WHOLE OR IN PART IN ANY FORM OR FOR ANY REASON EXCEPT AS EXPRESSLY STATED IN WRITING BY AMPHENOL.

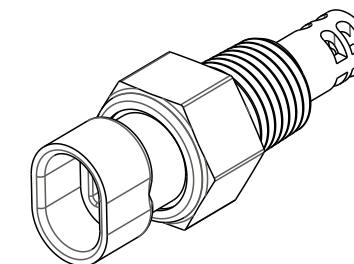
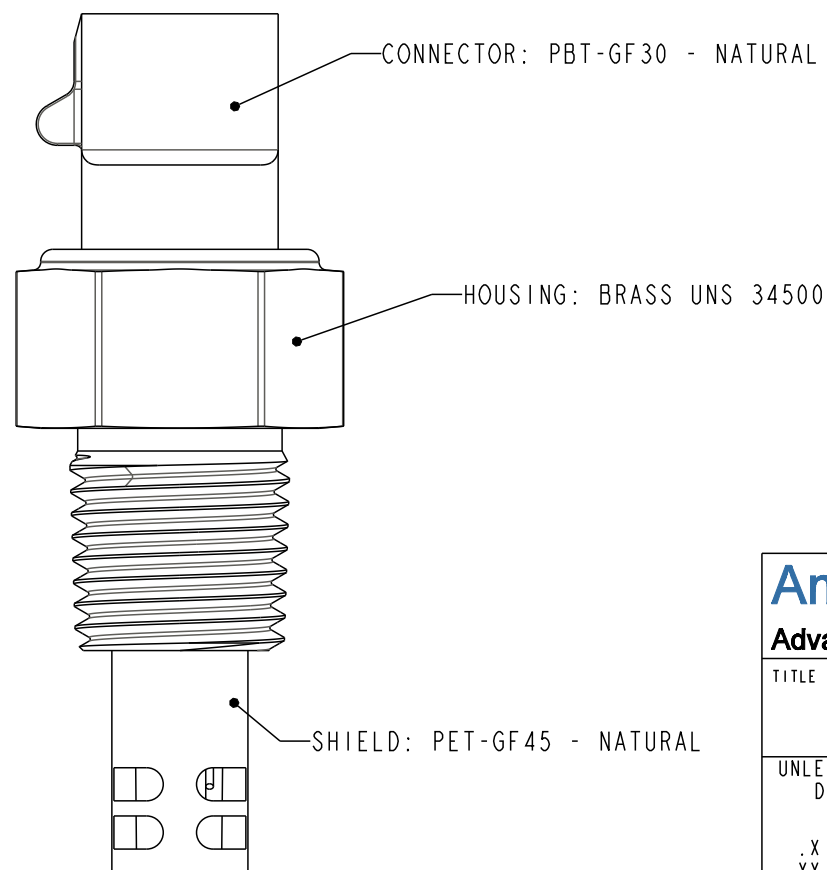
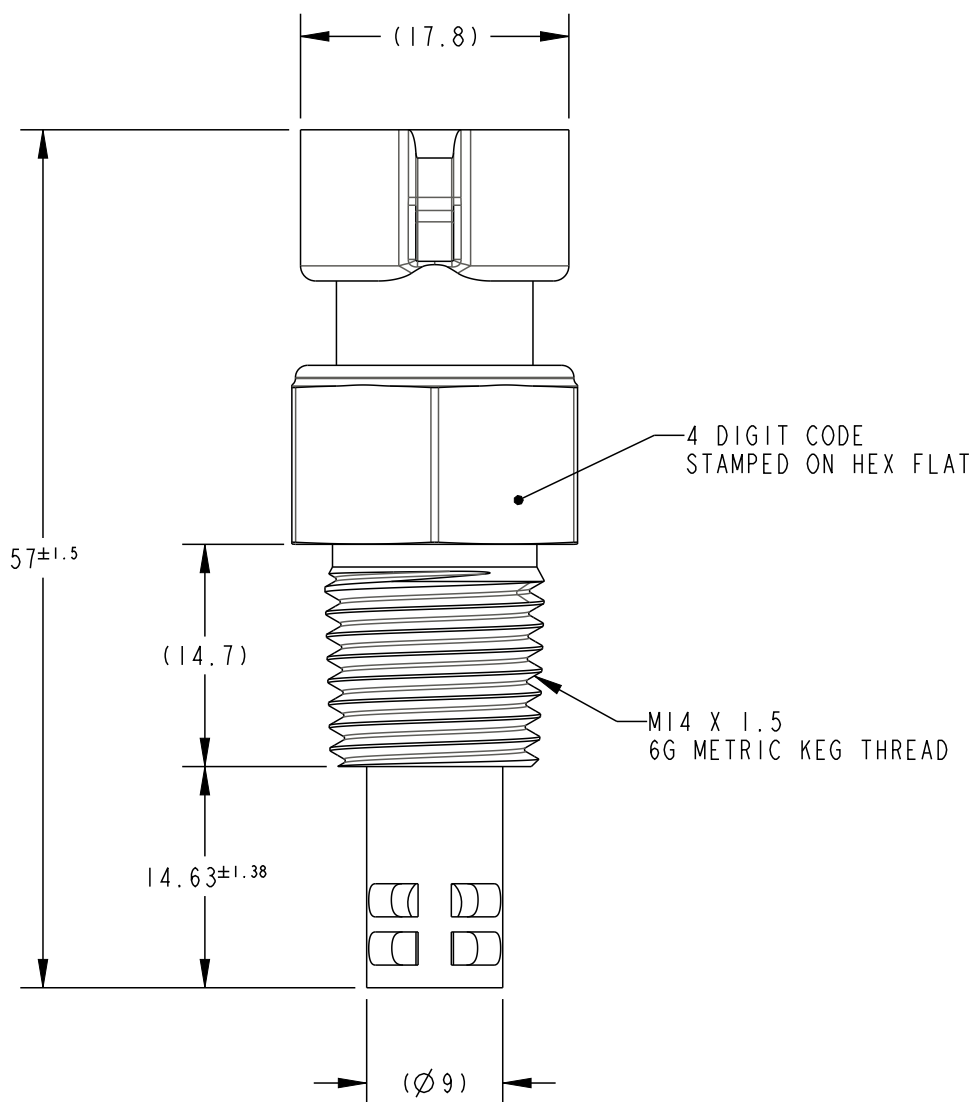
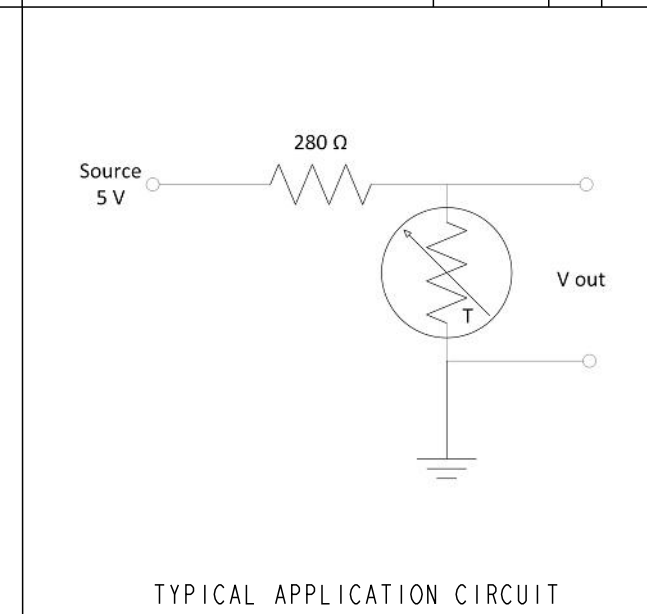
NOTES:

- 1. CONTINUOUS OPERATING TEMPERATURE: -40° TO 150°C
- 2. CONNECTOR: METRI-PACK 150.2 MATING DELPHI PART NUMBER: 12162197 OR EQUIVILANT
- 3. LOCTITE 503, 516, OR 517 THREAD SEALANT APPLIED ON APPROXIMATELY 2ND THROUGH 6TH THREAD. MINIMUM 3 THREADS.
- 4. DATE CODE: FIRST 3 DIGITS DENONTE DAY OF THE YEAR AND FOURTH IS THE LAST DIGIT OF THE YEAR.
- 5. RESPONSE TIME (63.2%) TO BE < 15 SECONDS IN MOVING AIR.
- 6. <REMOVED>



TEMP (°C)	RESISTANCE (OHMS)	RES TOL (±%)	TEMP TOL (±°C)
-40	100725	8.56	1.27
-25	38440	7.54	1.23
0	9327	6.05	1.16
15	4403	5.28	1.10
25	2768	4.80	1.06
85	279.6	2.47	0.76
100	175.3	2.00	0.67
125	86.69	2.71	1.02
150	46.41	3.34	1.42

REVISIONS				
REV	REVISION HISTORY	DATE	DWN	APVD
A	INITIAL DRAFT	3/29/16	STS	DJG
B	CORRECTED RVT, REMOVED NOTE 6	2/7/20	STS	DJG



Amphenol
Advanced Sensors St. Marys, PA 15857

TITLE: AIR TEMPERATURE SENSOR FAST RESPONSE

UNLESS OTHERWISE SPECIFIED DIMENSIONS ARE IN MM TOLERANCES ARE: .X ± 0.3 .XX ± 0.13	APPROVALS	DATE
	DRAWN STS	03/29/2016
ANGLES ± 2°	CHECKED DJG	11/20/2015
	ENGR STS	03/29/2016
THIRD ANGLE PROJECTION	OC	
INTERPRET DRAWING IAW ASME Y14.5	MFG	

DO NOT SCALE DRAWING

SIZE B DWG NO. A-1327 REV B

SCALE 2:1 SHEET 1 OF 1

LEGAL NOTICE - THIS DRAWING AND ANY INTELLECTUAL PROPERTY RIGHTS THERE IN ARE PROPERTY OF AMPHENOL AND NO LICENSES ARE GRANTED UNDER THOSE RIGHTS.

4

3

2

1