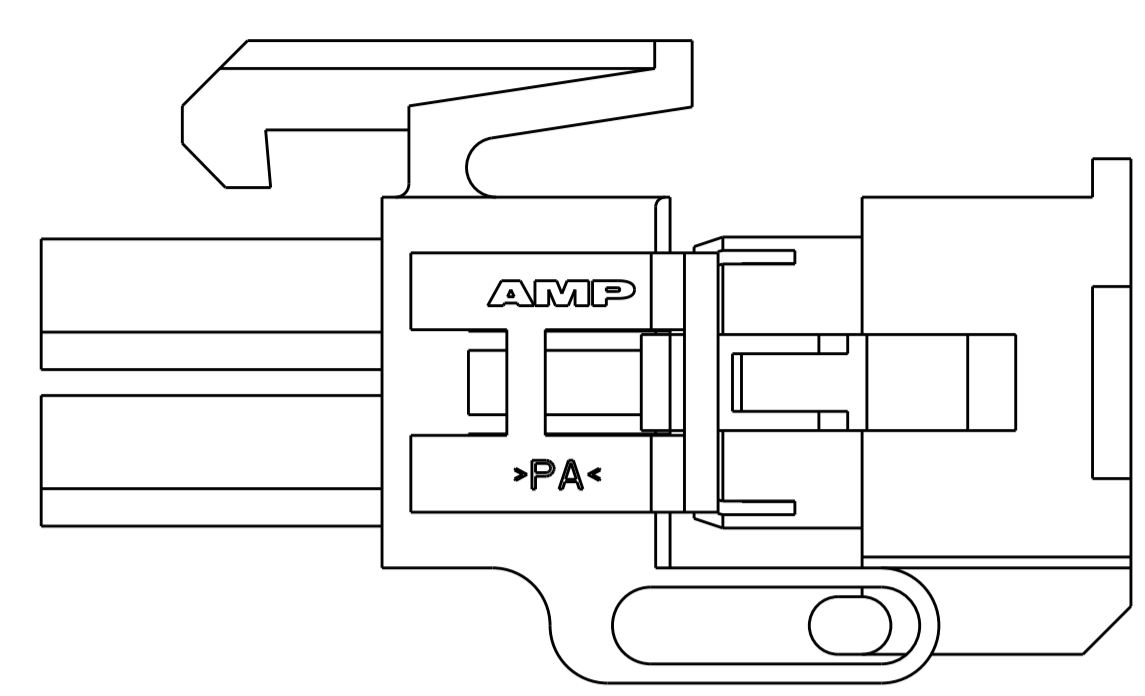
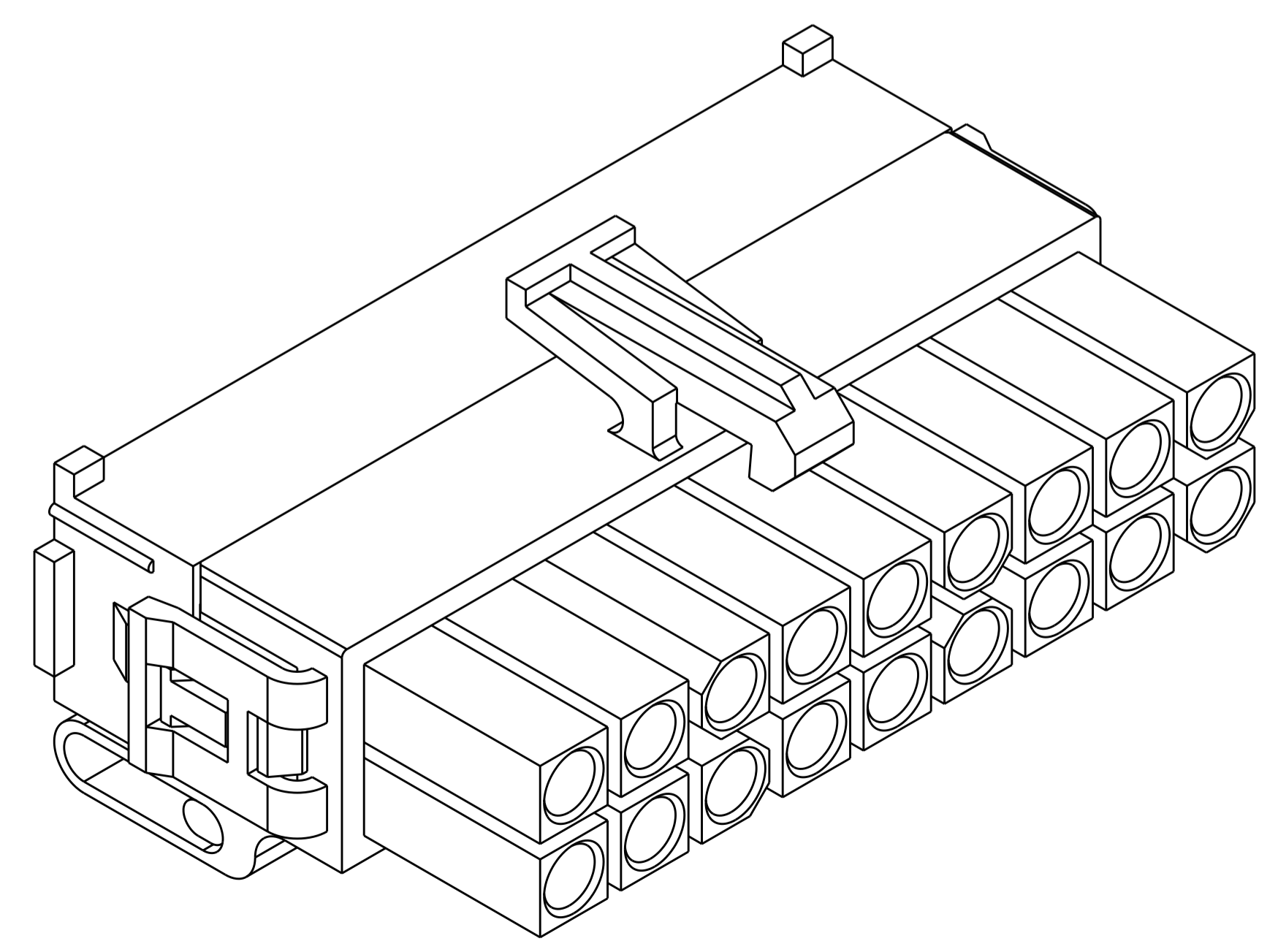
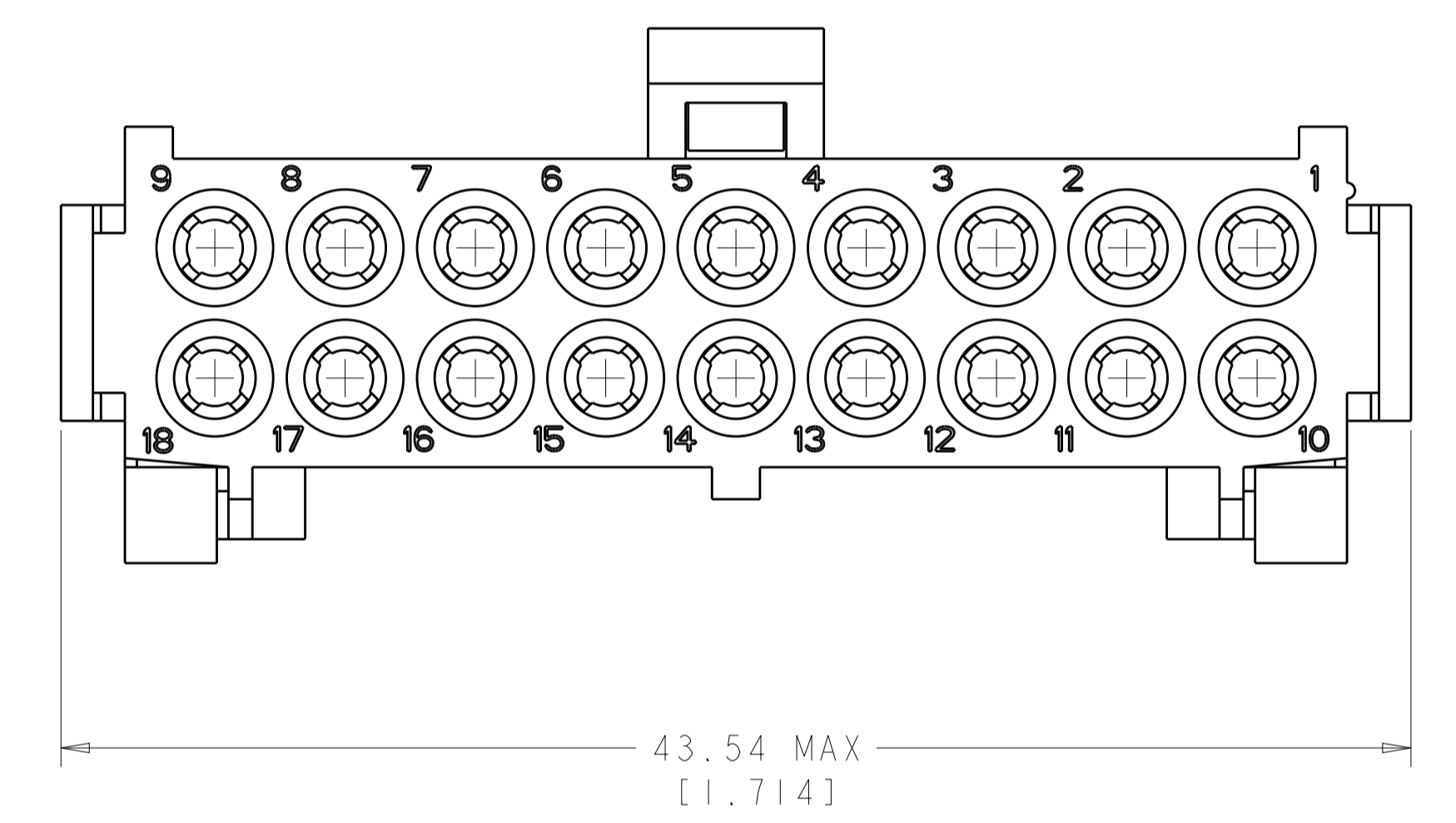
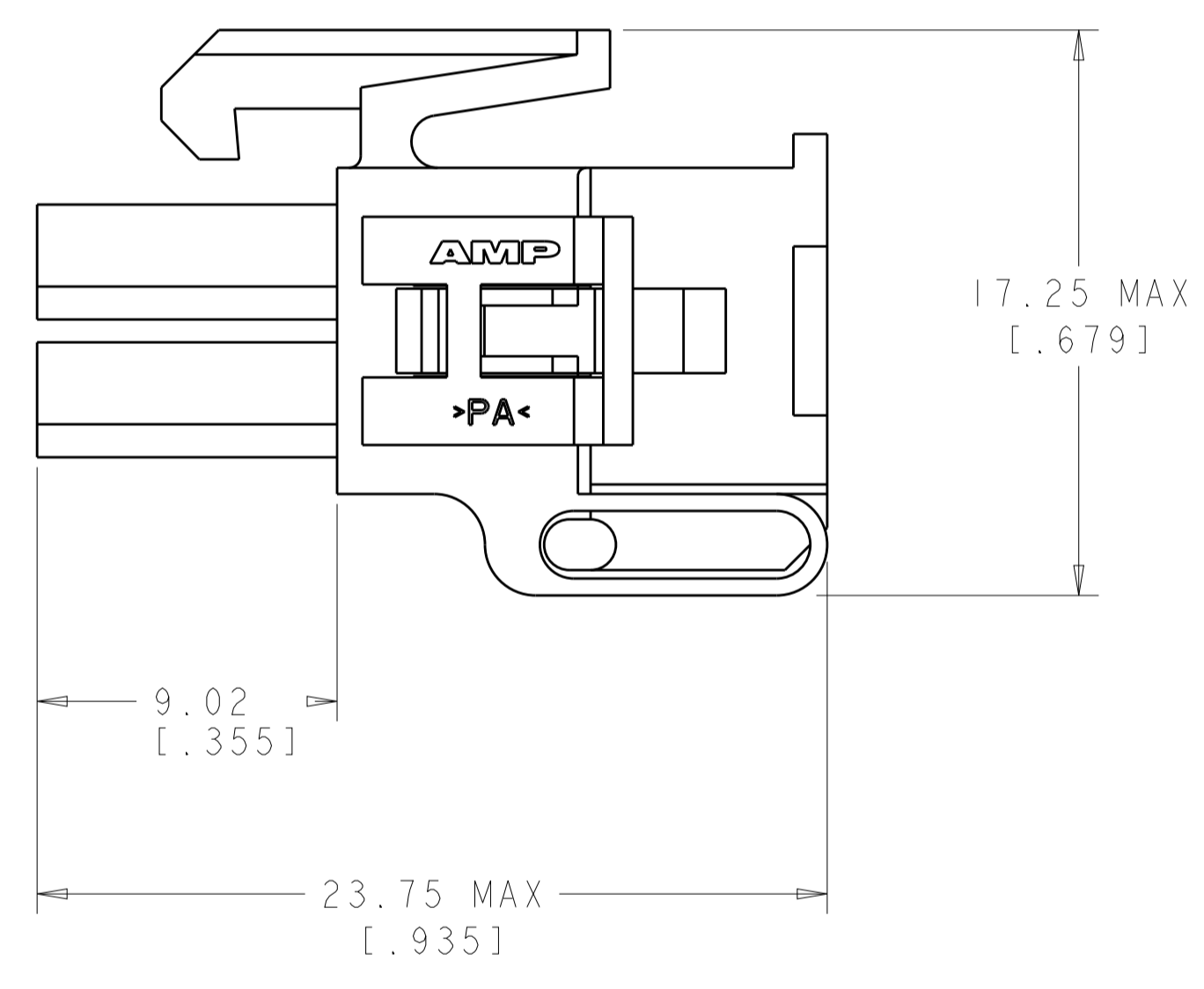
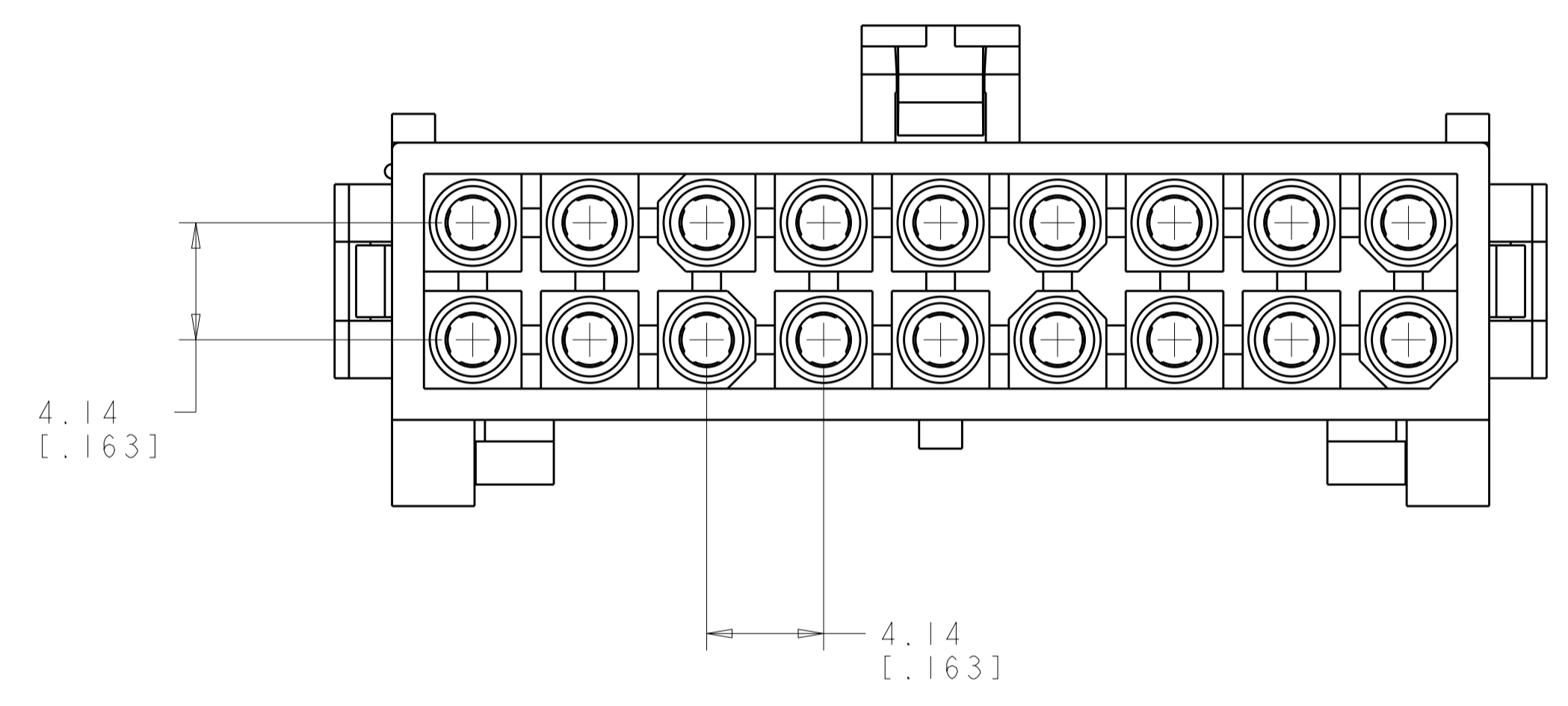


LOC	DIST	REVISIONS			
P	LTN	DESCRIPTION	DATE	DWN	APVD
C1		REVISED PER ECR 10-025344	23FEB11	JR	TM
C2		REVISED PER ECR-19-010591	17JUL2019	BKW	SW



PRE-STAGED CONDITION



0.296 IN ³	794208-1
VOLUME	PART NUMBER

<small>THE INFORMATION CONTAINED HEREON IS UNCLASSIFIED UNLESS INDICATED OTHERWISE. IT IS SUBJECT TO CHANGE AND WITHOUT WARRANTY OF ACCURACY. THE INFORMATION SHOULD BE CONTACTED FOR THE LATEST VERSION.</small>		DWN K. WHITAKER 01AUG2007	Tyco Electronics Harrisburg, PA 17105-3608
DIMENSIONS: mm [INCHES]		CHK C. JONES 01AUG2007	
TOLERANCES UNLESS OTHERWISE SPECIFIED: 0 PLC ± 1 PLC ± 2 PLC ±0.13 (1.005) 3 PLC ± 4 PLC ± ANGLES ±40°30'		APVD C. JONES 01AUG2007	NAME PLUG, DUAL ROW, 18 CIRCUIT, MINI UNIVERSAL MATE-N-LOK(TM) 2
MATERIAL: NYLON UL 94V-0, NATURAL		FINISH -	RESTRICTED TO A 00779C=794208
CUSTOMER DRAWING		SCALE 5:1	SHEET 1 OF 1 REV C2

