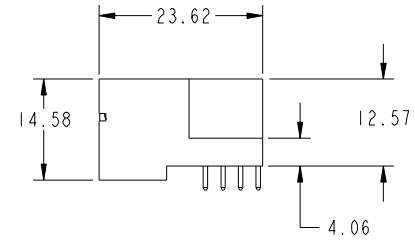
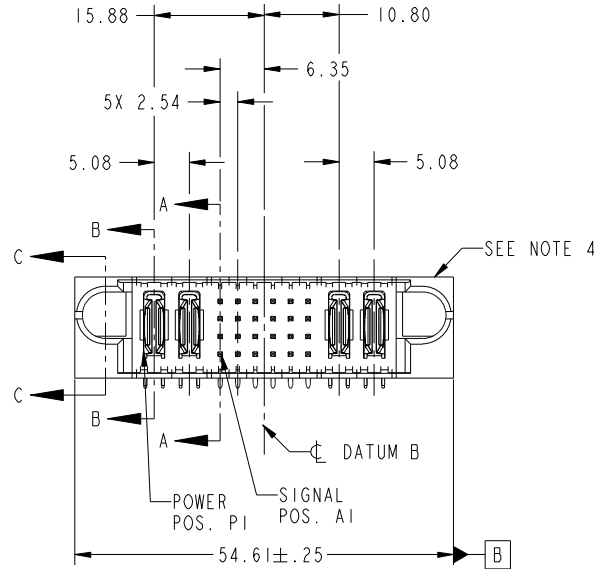


Tous droits strictement reserves. Reproduction ou communication a des tiers interdite sous quelque forme que ce soit sans autorisation écrite du propriétaire. Propriete de c FCI. Droits de reproduction FCI.



All rights strictly reserved. Reproduction or issue to third parties in any form whatever is not permitted without written authority from the proprietor. Property of FCI. Copyright FCI.

PRODUCT NO.	ROWS	POWER		SIGNAL						POWER					
		E1	P1	P2	1	2	3	4	5	6	P3	P4	E2		
51939-119-- NOTE: 3	D C B A		PA	PA	UUUUUU	TTTTTT	SSSSSS	RRRRRR	UUUUUU	TTTTTT	SSSSSS	RRRRRR	PA	PA	



CODE	DIM "M" MATING LENGTH	CONTACT TYPE
R	[6.86]	SIGNAL
S	[6.86]	SIGNAL
T	[6.86]	SIGNAL
U	[6.86]	SIGNAL
PA	[N/A]	POWER

mat'l code				SEE NOTE		tolerances unless otherwise specified		CUSTOMER		FCI www.fciconnect.com	
ltr	ecn no.	dr	date	linear	0.X ± 0.5	projection		COPY		title	
A	V04-0487	TAB	05/14/04		0.XX ± 0.25			2P		2P + 24S + 2P	
B	DG05-0017	SW	01/26/05	angles	0.XXX ± 0.10			RIGHT ANGLE		SOLDER HEADER	
C	DG06-0013	RYAN	01/11/06		0° + 2°			product family		PwrBlade	code
D	DG08-0272	JW	09/27/08	dr	T. BRUNGARD 05/14/04	scale		size	dwg no	213	
				enrg	M. GRAY 05/14/04	1:1		A	51939-119	sheet	
				chr	M. GRAY 05/14/04					1 of 4	
				appd	M. GRAY 05/14/04						
sheet index	revision sheet	D	D	D	D						
		1	2	3	4						

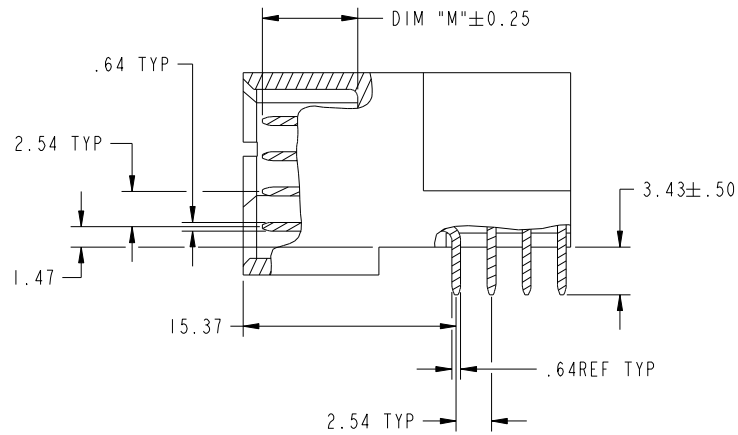
cage code 22526

Tous droits strictement reserves. Reproduction ou communication a des tiers interdite sous quelque forme que ce soit sans autorisation écrite du propriétaire. Propriete de c FCI. Droits de reproduction FCI.

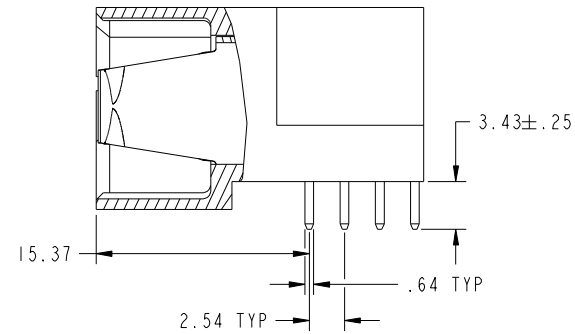


All rights strictly reserved. Reproduction or issue to third parties in any form whatever is not permitted without written authority from the proprietor. Property of FCI. Copyright FCI.

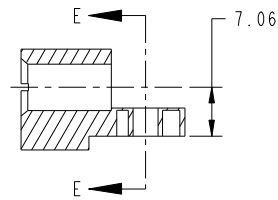
PRODUCT NUMBER
51939-119--
NOTE: 3



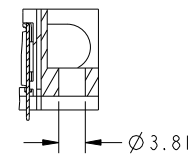
BROKEN-OUT SECTION A-A
SCALE 2:1



BROKEN-OUT SECTION B-B
SCALE 2:1



SECTION C-C



PARTIAL SECTION E-E

mat'l code		SEE NOTE		tolerances unless otherwise specified		CUSTOMER		www.fciconnect.com	
ltr	ecn no.	dr	date	linear	0.X ± 0.5	COPY		title	
D					0.XX ± 0.25	projection		2P + 24S + 2P	
				angles	0.XXX ± 0.10			RIGHT ANGLE SOLDER HEADER	
				dr	0° + 2°			product family PwrBlade code	
				enr	T. BRUNGARD 05/14/04	scale		size	
				chr	M. GRAY 05/14/04	1:1		dwg no	
				appd	M. GRAY 05/14/04	A		51939-119	
sheet index		revision sheet						sheet	
								2	

cage code 22526

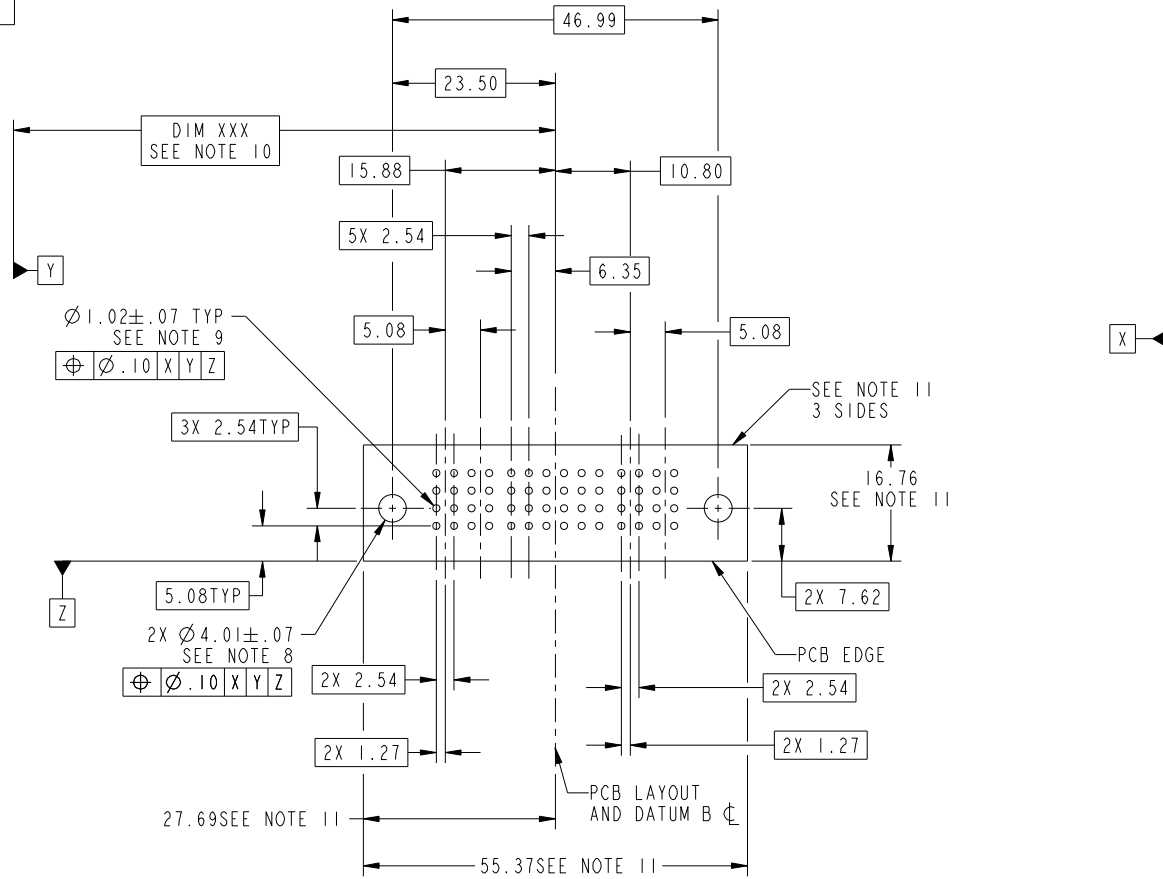
Pro/E

Tous droits strictement reserves. Reproduction ou communication a des tiers interdite sous quelque forme que ce soit sans autorisation écrite du propriétaire. Propriete de c FCI. Droits de reproduction FCI.



All rights strictly reserved. Reproduction or issue to third parties in any form whatever is not permitted without written authority from the proprietor. Property of FCI. Copyright FCI.

PRODUCT NUMBER
51939-119_-
NOTE: 3



RECOMMENDED PCB LAYOUT

mat'l code		SEE NOTE		tolerances unless otherwise specified		CUSTOMER		www.fciconnect.com	
ltr	ecn no.	dr	date	linear	0.X ± 0.5	COPY		title	
D					0.XX ± 0.25	projection		2P + 24S + 2P RIGHT ANGLE SOLDER HEADER	
				angles	0.XXX ± 0.10			product family PwrBlade code	
		dr	T. BRUNGARD	0° + 2°		MIM		213	
		enr	M. GRAY			scale		size	
		chr	M. GRAY			1:1		dwg no	
		appd	M. GRAY					A 51939-119	
sheet index		revision sheet						sheet 3	

cage code 22526

Pro/E

Tous droits strictement reserves. Reproduction ou communication a des tiers interdite sous quelque forme que ce soit sans autorisation écrite du propriétaire. Propriete de c FCI. Droits de reproduction FCI.



All rights strictly reserved. Reproduction or issue to third parties in any form whatever is not permitted without written authority from the proprietor. Property of FCI. Copyright FCI.

PRODUCT NUMBER
51939-119--
NOTE: 3

NOTES:

1. DIMENSIONS AND TOLERANCES ARE IN ACCORDANCE WITH ASME Y14.5M, 1994 UNLESS OTHERWISE SPECIFIED.

CONNECTOR NOTES:

2. HOUSING MATERIAL: UL 94 V-0 GLASS FILLED
HIGH-TEMP THERMOPLASTIC
POWER CONTACT MATERIAL: COPPER ALLOY
SIGNAL PIN MATERIAL: COPPER ALLOY

3. PLATING:
SEE ITEM 1 & 2 IN PRINT 10064183 FOR PLATING SPEC OF 51939-119; 51939-119LF PRESPECTIVELY

4. MANUFACTURER'S NAME, P/N, AND DATE CODE TO APPEAR ON THIS SURFACE.

5. PRODUCT SPECIFICATION GS-12-149.
APPLICATION SPECIFICATION BUS-20-067.

6. PACKAGED IN TRAYS.

PCB NOTES:

7. ALL HOLE DIAMETERS ARE FINISHED HOLE SIZE.

8. MOUNTING HOLES, WHERE APPLICABLE, ARE UNPLATED.

9. $\varnothing 1.151 \pm 0.025$ DRILLED HOLES PLATED WITH
0.008 MIN SnPb OR Sn OVER 0.03
TO 0.08 Cu PLATING TO ACHIEVE
 $\varnothing 1.02 \pm .07$ HOLE.

10. "DIM XXX" TO BE DETERMINED BY THE CUSTOMER.

11. CONNECTOR KEEP-OUT ZONE.

12. A Δ SYMBOL WILL BE NEXT TO ANY DIMENSION, VIEW, OR NOTE WHICH HAS BEEN MODIFIED WITH THE CURRENT DRAWING REVISION.

mat'l code				SEE NOTE		tolerances unless otherwise specified		CUSTOMER		FCI www.fciconnect.com	
ltr	ecr no.	dr	date	linear	0.X ± 0.5		COPY		projection 	title 2P + 24S + 2P RIGHT ANGLE SOLDER HEADER	
D					0.XX ± 0.25						
					0.XXX ± 0.10						
				angles	0° + 2°		MIM 		product family PwrBlade		code 213
					dr	T. BRUNGARD	05/14/04	scale 1:1		size A	dwg no 51939-119
				enr	M. GRAY	05/14/04					
				chr	M. GRAY	05/14/04					
				appd	M. GRAY	05/14/04					
sheet index	revision sheet										

cage code 22526

Pro/E