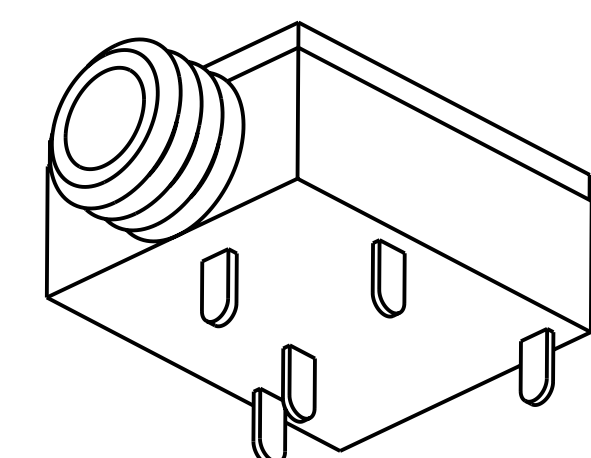


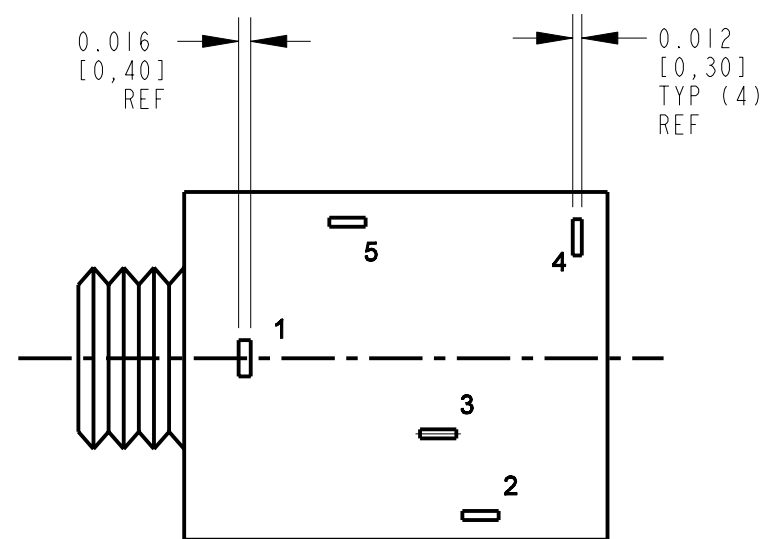
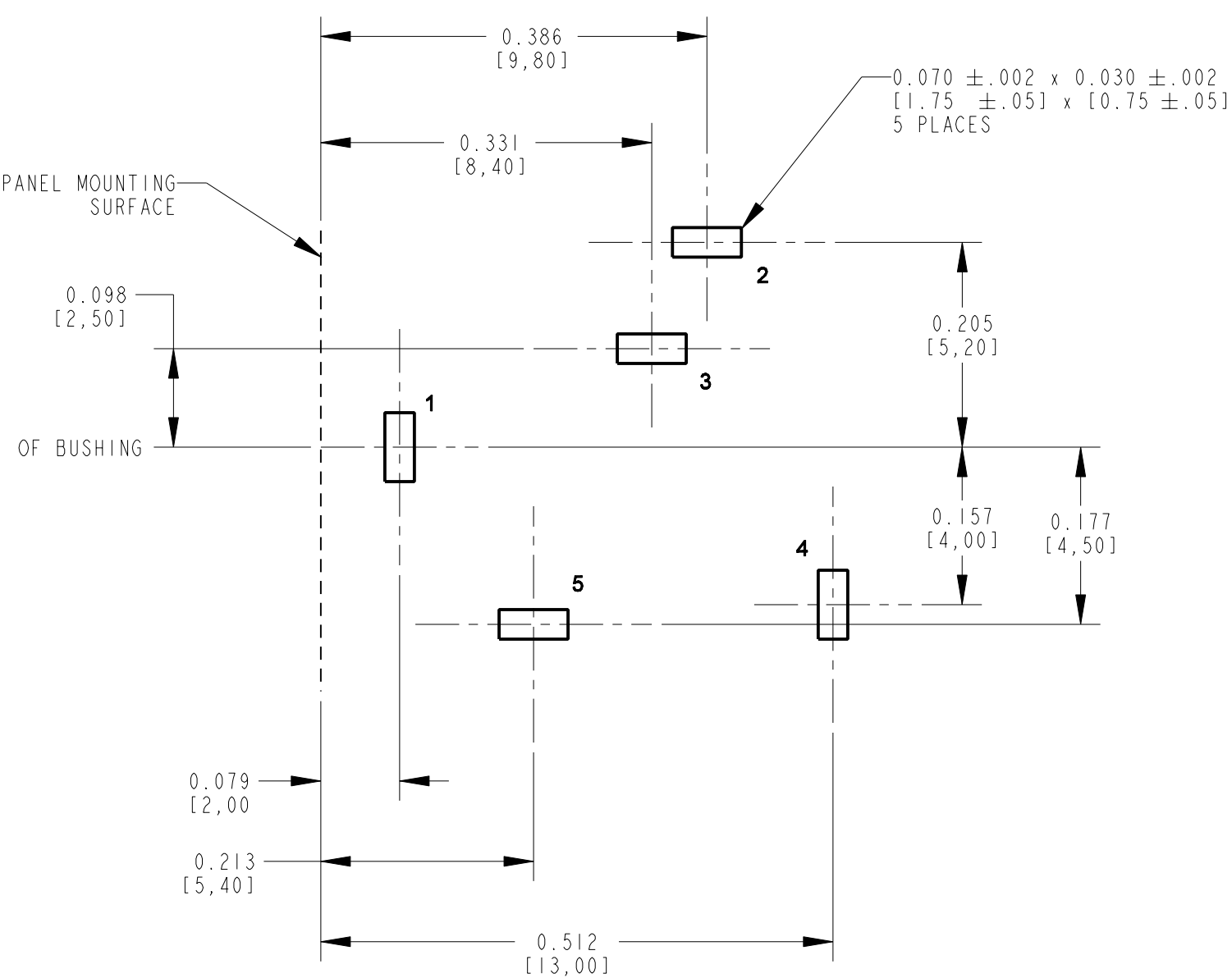
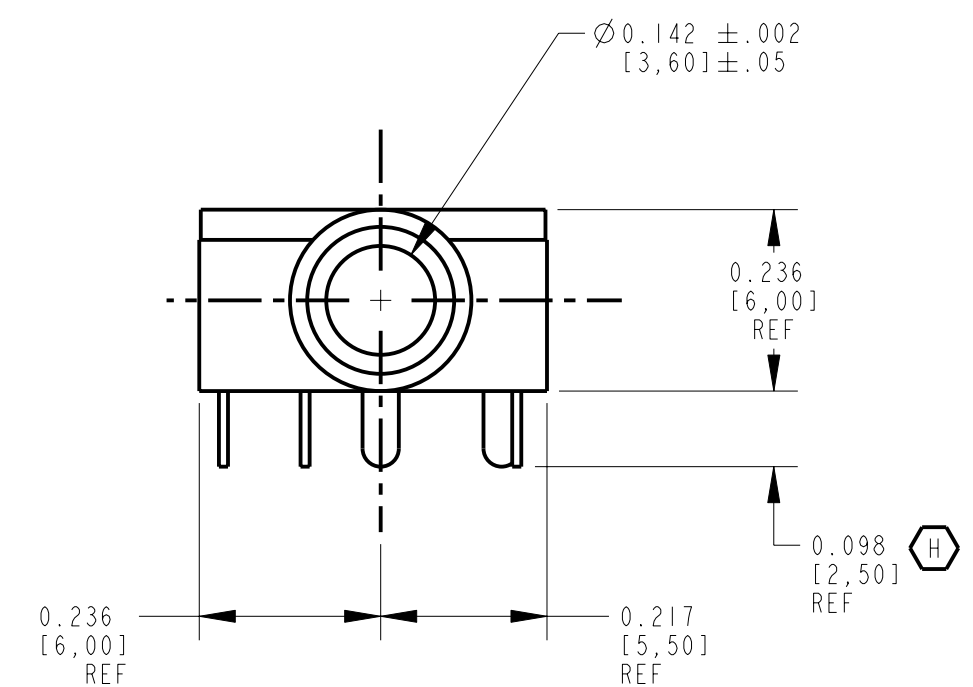
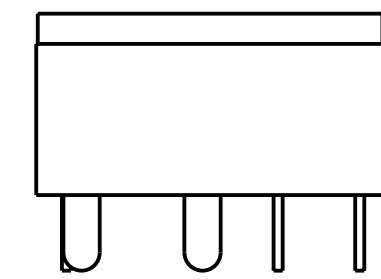
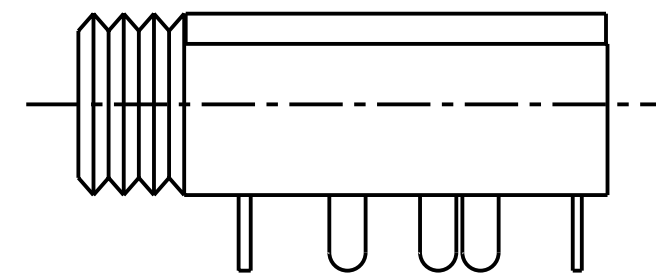
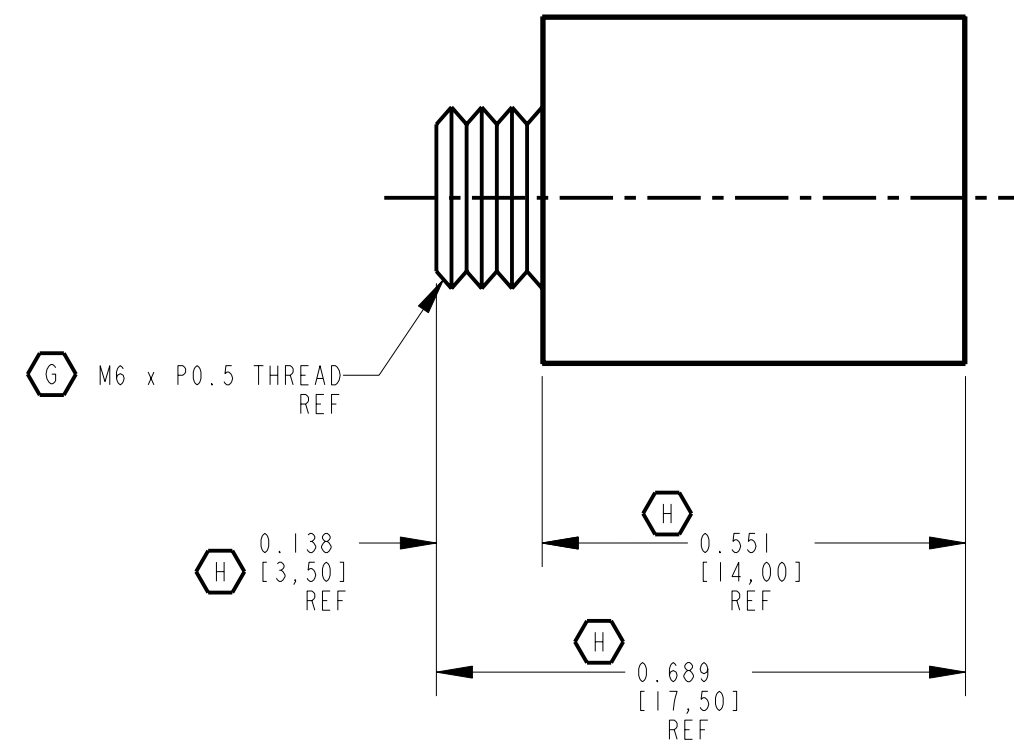
NOTES:

- ELECTRICAL:  
CONTACT RESISTANCE: 20 MILLIOHMS MAX. INITIAL  
100 MILLIOHMS MAX. AFTER LIFE  
INSULATION RESISTANCE: 100 MEGAOHMS MIN.  
DIELECTRIC WITH STANDING VOLTAGE: 250 VAC.
- MECHANICAL:  
LIFE: 5000 CYCLES  
INSERTION FORCE: 0,4 KG TO 1,6 KG  
WITHDRAWAL FORCE: 0,4 KG TO 1,4 KG
- MATERIALS:  
HOUSING: PBT BLACK, UL94-V0  
BUSHING: BRASS, NICKEL PLATED  
SPRINGS: COPPER ALLOY, SILVER PLATED  
COVER: POLYCARBONATE, CLEAR, UL94-V0
- MOUNTING NUT HARDWARE INCLUDED.
- THIS PRODUCT IS RoHS COMPLIANT.

- (F) HOUSING: PBT BLACK, UL94-V0
- (F) BUSHING: BRASS, NICKEL PLATED
- (E) SPRINGS: COPPER ALLOY, SILVER PLATED
- (E) COVER: POLYCARBONATE, CLEAR, UL94-V0



SCALE 4:1



PART NO.	SCHEMATIC
35RAPC3BH3	
35RAPC4BH3	
35RAPC2BH3	
35RAPC2AH3	

RECOMMENDED PC BOARD COMPONENT SIDE

SUPPLIED WITH KNURL NUT

CUSTOMER DRAWING

<p>★ STAR SYMBOL DENOTES CRITICAL DIMENSION</p> <p>UNLESS OTHERWISE SPECIFIED</p> <p>1. ALL DIMENSIONS IN INCHES - TWO PLACE DECIMALS ±0.01 - THREE PALCE DECIMALS ±0.005 - FRACTIONAL DIMENSIONS ±1/64 - ANGLES ±1° - ALL DIA. CONCENTRIC WITHIN 0.005 T.I.R.</p> <p>2. FEATURES ON THE SAME CENTERLINE MUST BE ALIGNED WITHIN ±0.002</p> <p>3. REMOVE ALL BURRS</p>				<p>THIS DRAWING DESCRIBES A DESIGN CONSIDERED PROPRIETARY IN NATURE, DEVELOPED AND MANUFACTURED BY SWITCHCRAFT INC. AND IS RELEASED ON A CONFIDENTIAL BASIS FOR IDENTIFICATION PURPOSES ONLY.</p> <p>SIZE WIDTH MULT LBS/M TEMPER</p> <p>FINISH . . . . . MATERIAL</p> <p>SPEC No. . . . . SPEC No.</p> <p>FIRST USED ON . . . . . SCALE 4:1</p> <p>DATE DRAWN BY CHKD APVD</p> <p>9-Dec-93 ES 12-10-93 12-10-93</p> <p>NAME 3.5MM HORIZONTAL STEREO JACK, RoHS PART No. 35RAPC__H3 REV J</p>				
REV	ECO NUMBER	DATE	BY	APVD	<p>DO NOT SCALE DRAWING</p>			
<p>REVISIONS</p>					<p>Pro/Engineer CAD File</p>			