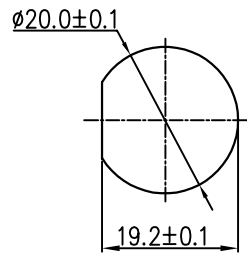
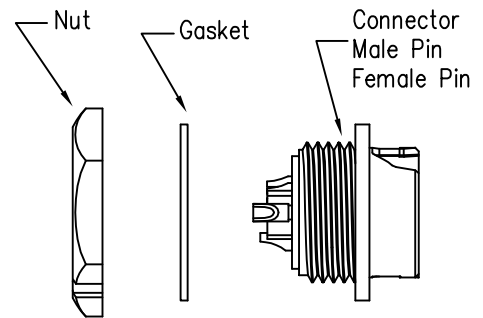
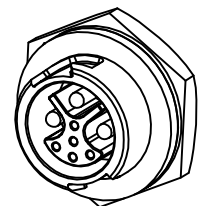
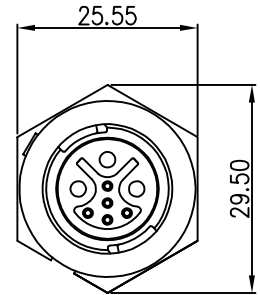
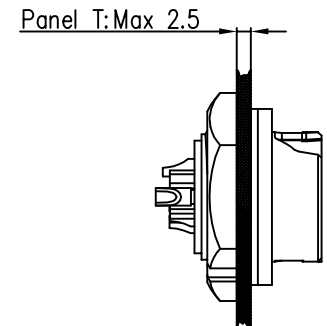
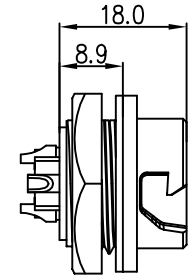


REV.	ECN NO.	DESCRIPTION	SIGN	DATE
C1	N/A	INITIAL DRAWING	Liu	2020/05/16



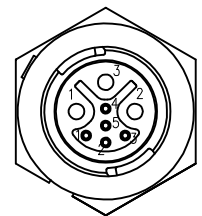
Recommended Panel Cut-Out



Specification:

- 1.Operation Temperature: $-45^{\circ}\text{C} \sim 105^{\circ}\text{C}$.
- 2.Insulation Resistance: $100\text{M}\Omega$ at DC500V.
- 3.Contact Resistance: $<10\text{m}\Omega$
- 4.Withstand Voltage: 1000V AC
- 5.Operating Current: $15\text{A}+2\text{A}$
- 6.Operating Voltage: DC $125\text{V}+30\text{V}$
- 7.Waterproof Rate: IP67 (Mated)
- 8.Housing: Nylon, Black
- 9.Female Pin: Copper Alloy, Gold Plated
- 10.Male Pin: Copper Alloy, Gold Plated
- 11.Gasket: Silicon Gray
- 12.Panel Nut: Nylon, Orange
- 13.Torque Rate: $0.8 \sim 1.0\text{N} \cdot \text{m}$
- 14.RoHS Compliant.
- 15.Mating Cap P/N: 806-00103-00

23XXX535-03
Pin Number



3M+5F

P/N: 23305535-03

Pin Assignments
Front View

UNIT:mm	
TOLERANCE	
.X	± 0.25
.XX	± 0.15
.XXX	± 0.05
ANGLES	$\pm 1^{\circ}$

DESCRIPTION Middle Series 3M+5F Push Lock Rear Mount			
SCALE:	1:1	SHEET	1 OF 1
REV.	C1	SIZE	A4
* : Inspection Item			

CHOGORI

PART NO	23305535-03	DRAWN BY	Liu	DATE	2020/05/16
DWG NO		CHECKED BY	Mo	DATE	2020/05/16
CUSTOMER		APPROVED BY	Adley	DATE	2020/05/16

THIS INFORMATION IS CONFIDENTIAL AND IS DISCLOSED TO YOU ON CONDITION THAT NO FURTHER DISCLOSURE IS MADE BY YOU TO OTHER THAN CHOGORI PERSONNEL WITHOUT AUTHORIZATION FROM CHOGORI CORP.