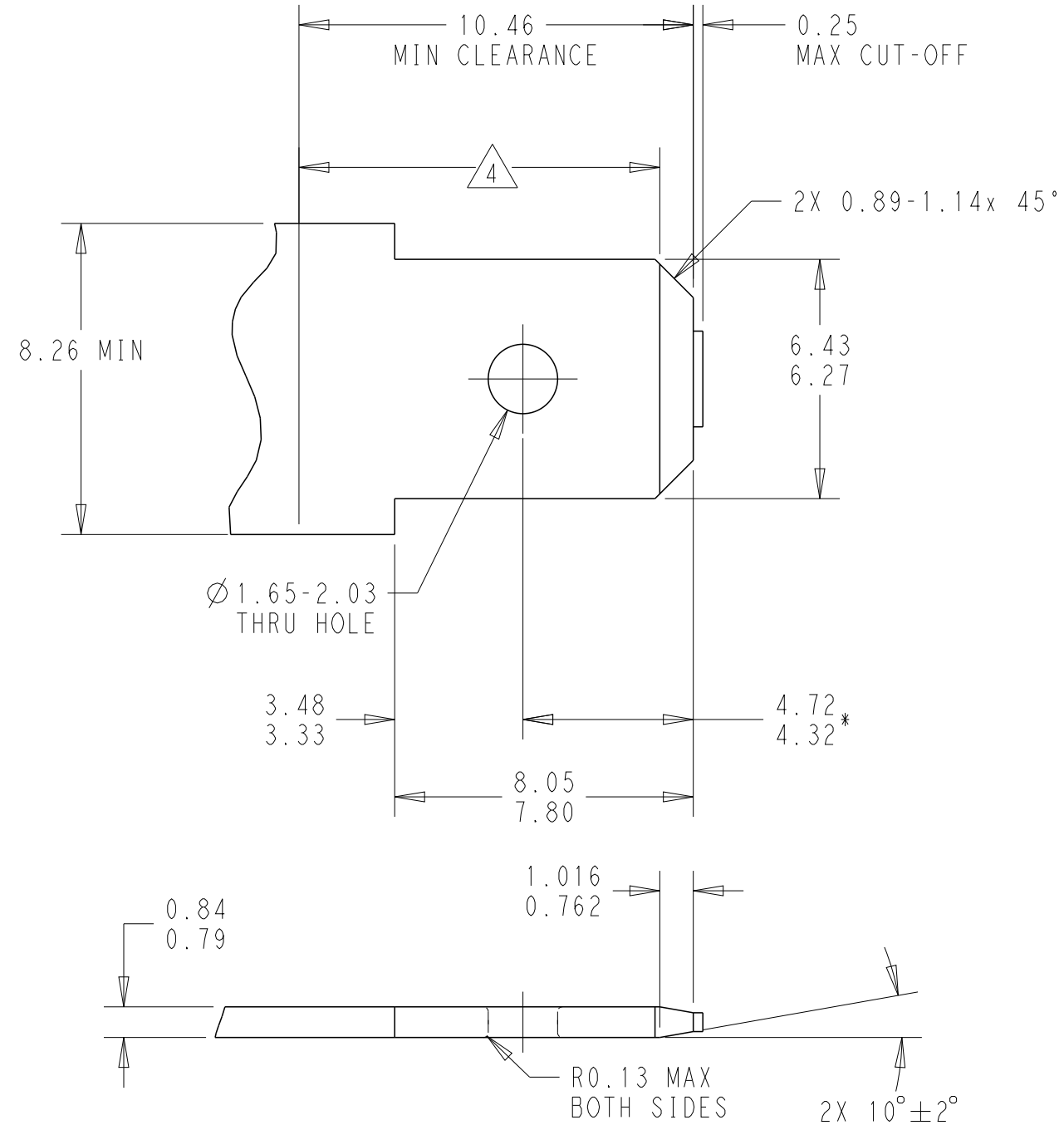
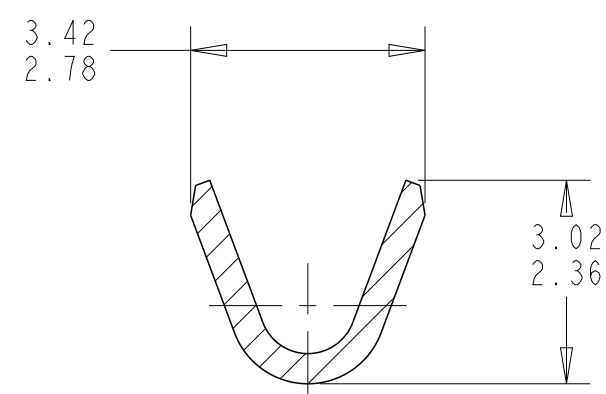


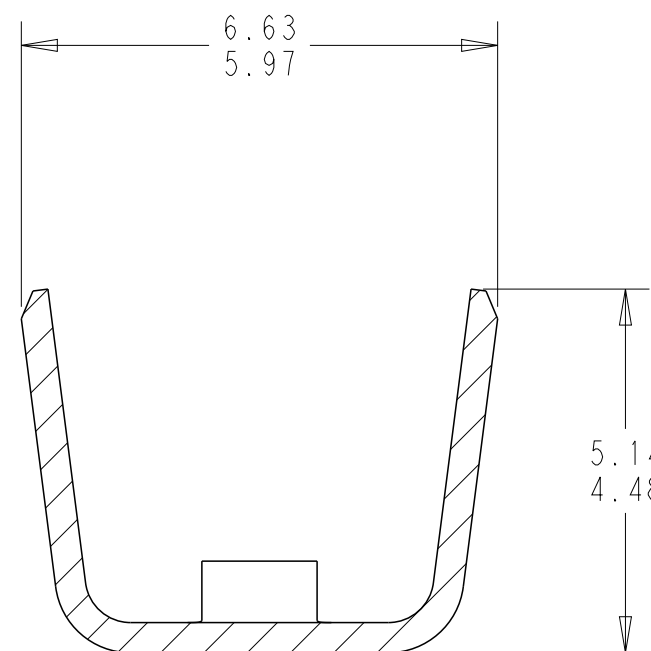
SUGGESTED MATING TAB



1. MATERIAL: 1/2 HARD BRASS OR NICKEL PLATED STEEL
 2. NO BURRS PERMISSIBLE AROUND HOLE
 3. TIN PLATING IS REQUIRED ON BRASS WHEN TERMINAL TEMPERATURE IS OVER 225°F
 4. MUST BE FLAT WITHIN 0.08 OVER THIS LENGTH
 5. HOLE MUST BE SYMMETRICAL ABOUT TAB \perp WITHIN 0.08.
- * TO BE USED ONLY WHEN SHOULDER IS ELIMINATED.



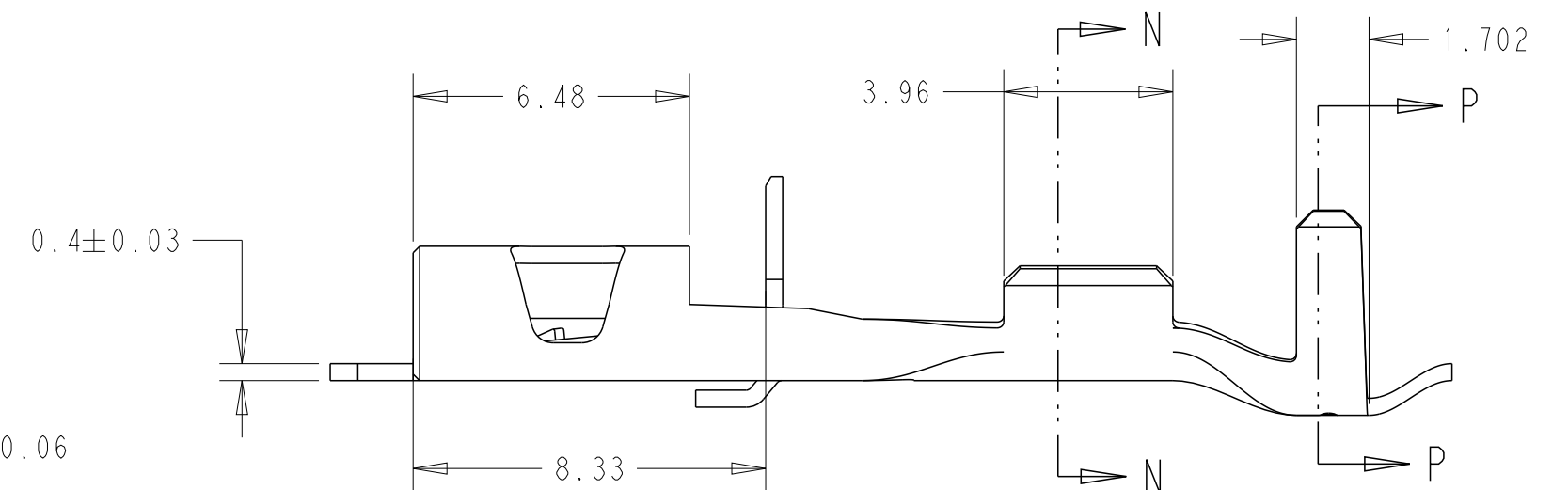
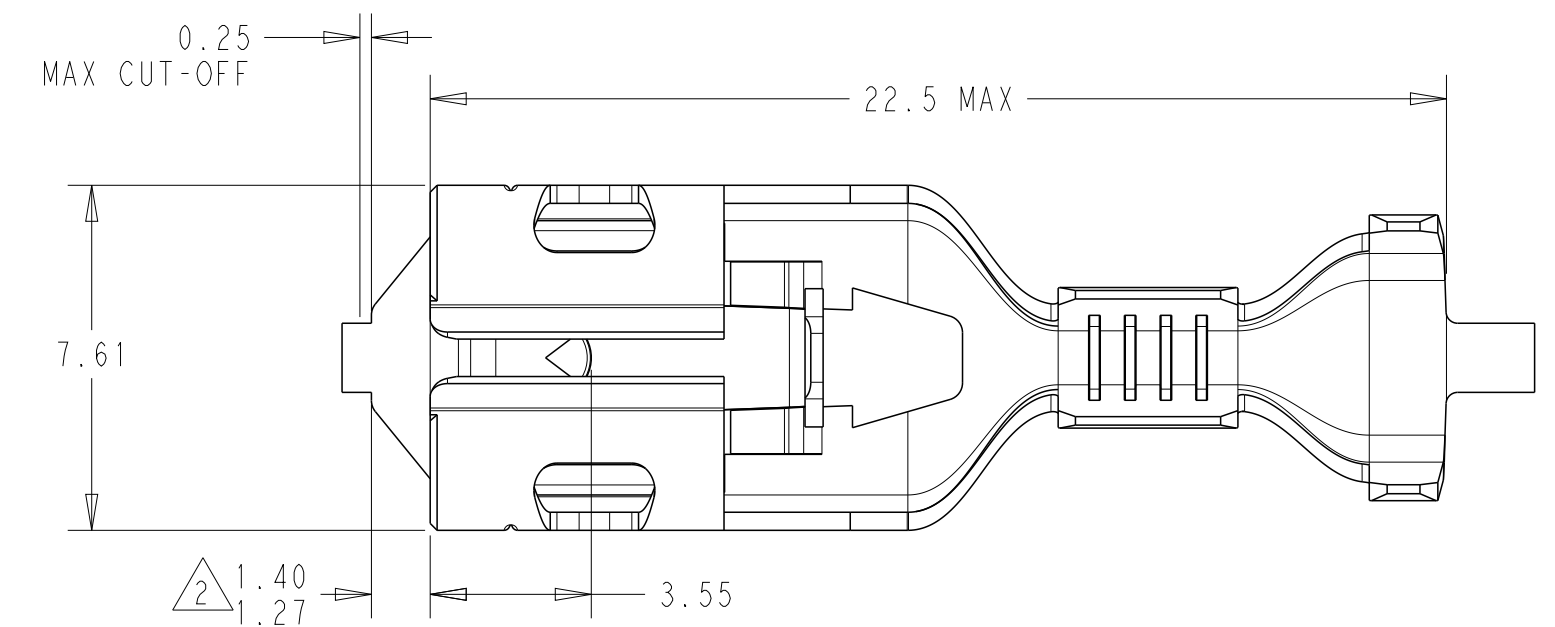
SECTION N-N
SCALE 10:1



SECTION P-P
SCALE 10:1

REVISIONS					
P	LTR	DESCRIPTION	DATE	DWN	APVD
A		REVISED PER ECN-21-111598	04AUG2021	BDA	KR
A1		REVISED PER ECN-22-173509	07SEP2022	TDB	KR
B		REVISED PER ECN-23-193388	12JAN2023	TDB	KR

1. CONTINUOUS STRIP ON REELS, BREAKS MAY BE PRESENT
2. THIS DIMENSION MUST BE MAINTAINED FOR PROPER FUNCTION OF THE LATCHING MECHANISM.
3. WIRE RANGE:
(2) 20 AWG STRANDED / (2) 2.56 INSULATION DIAMETER DOUBLE WIRE
(2) 22 AWG STRANDED / (2) 2.38 INSULATION DIAMETER DOUBLE WIRE
4. THIS TERMINAL MUST BE USED WITH A TIN PLATED TAB



UNPLATED 4	BRASS	2238283-1
FINISH	MATERIAL	PART NUMBER

THIS DRAWING IS A CONTROLLED DOCUMENT.		DWN B. WEAVER 05 JUN 2020	TE Connectivity	
DIMENSIONS: mm		CHK K. RANDOLPH 05 JUN 2020	RECEPTACLE, POSITIVE-LOCK 250 SERIES	
TOLERANCES UNLESS OTHERWISE SPECIFIED: 0 PLC ± 1 PLC ± 2 PLC ±0.25 3 PLC ± 4 PLC ± ANGLES ± FINISH		APVD W. MOYER 05 JUN 2020	NAME	
MATERIAL SEE TABLE		PRODUCT SPEC -	APPLICATION SPEC 114-2074	
		WEIGHT -	SIZE A2	CAGE CODE 00779
		CUSTOMER DRAWING	DRAWING NO C-2238283	RESTRICTED TO -
		SCALE 6:1	SHEET 1 OF 1	REV B