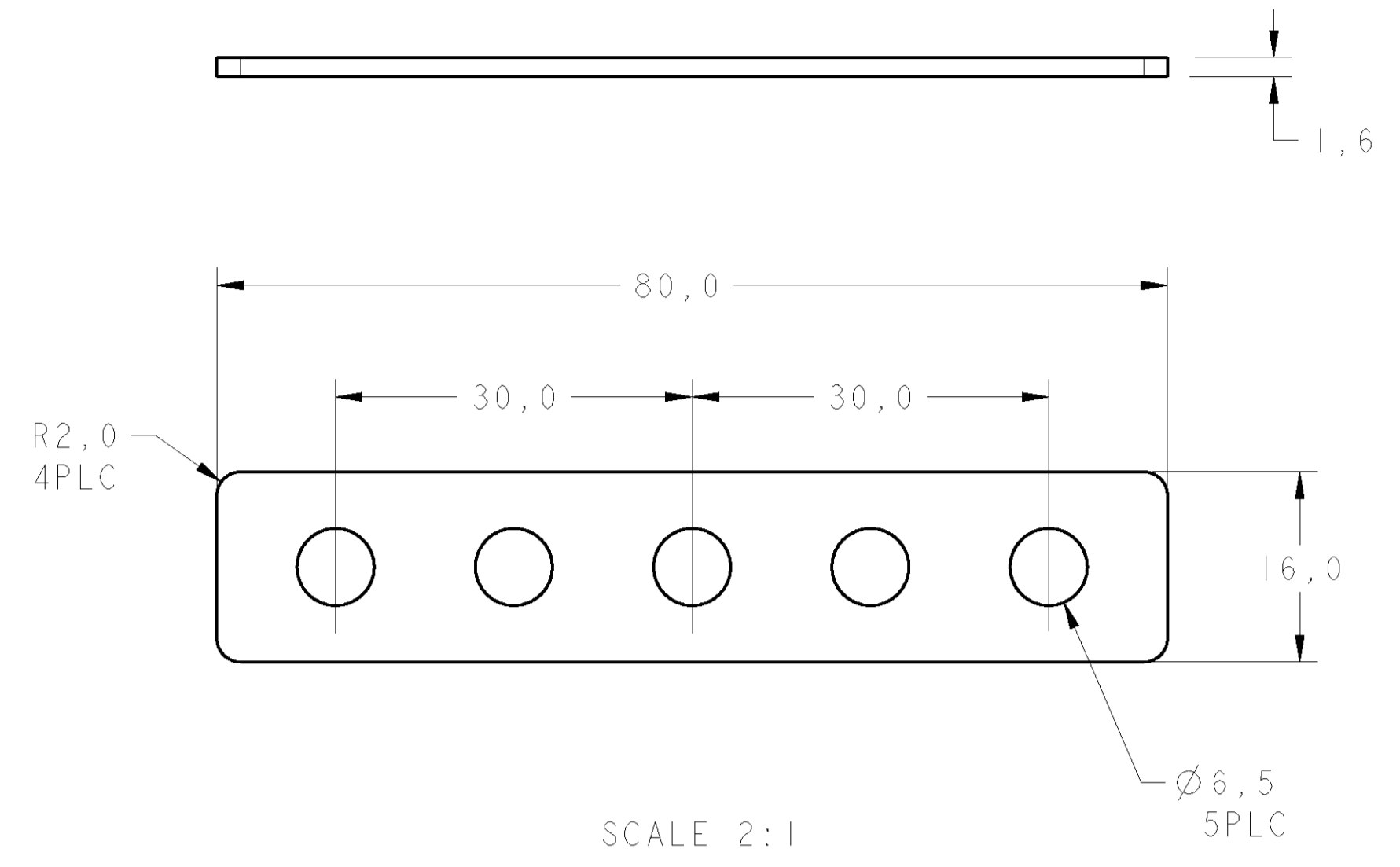
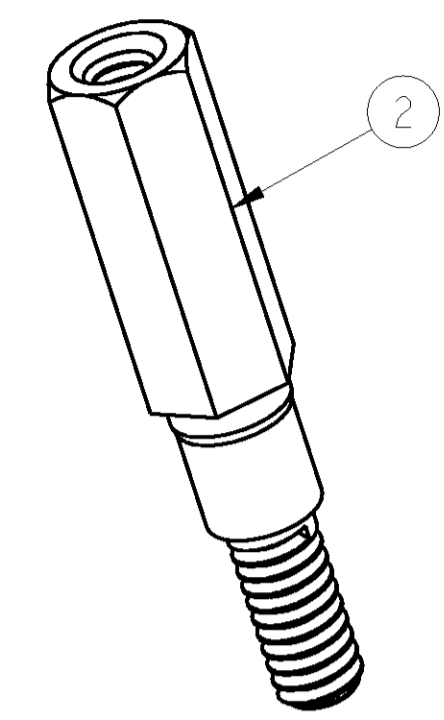
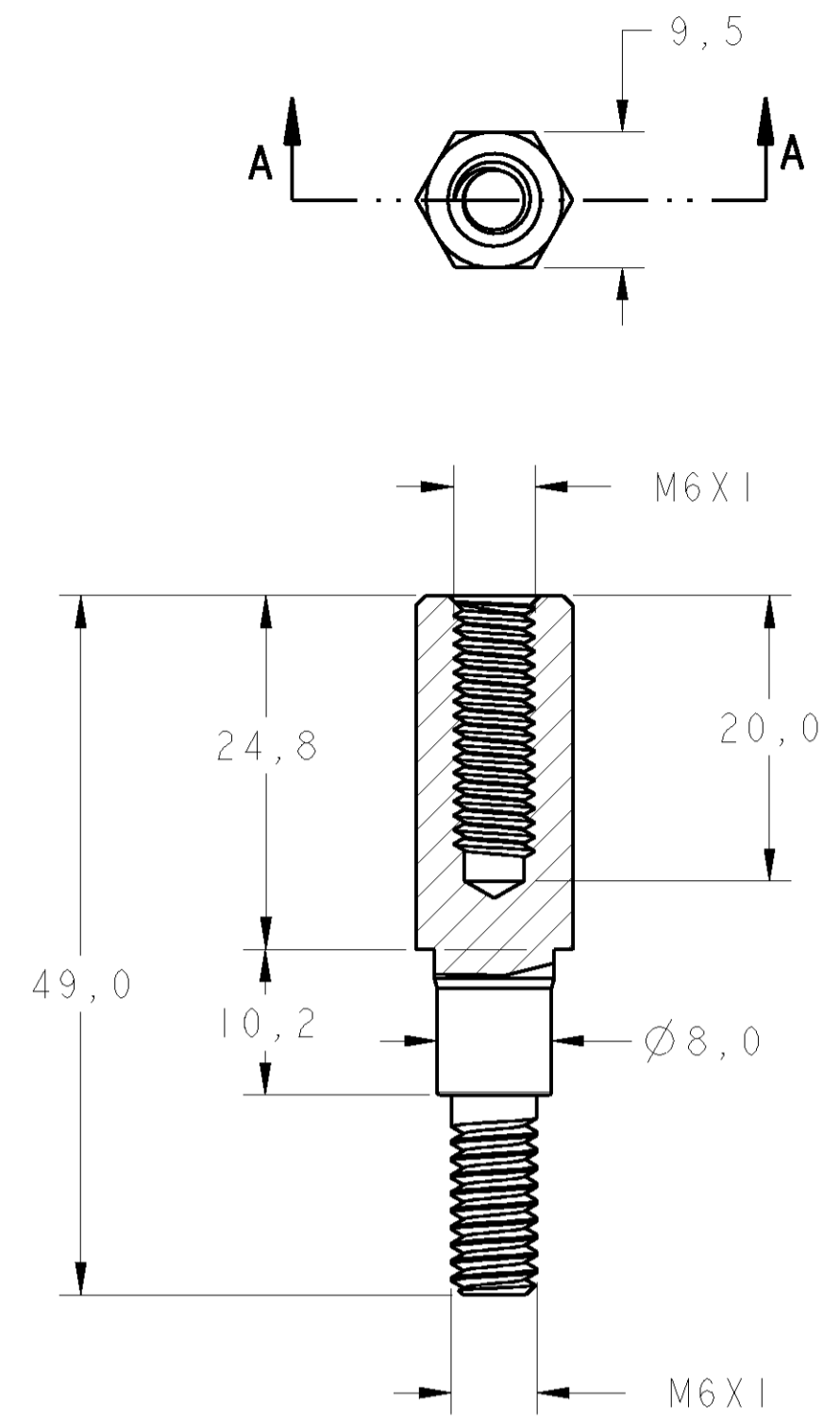
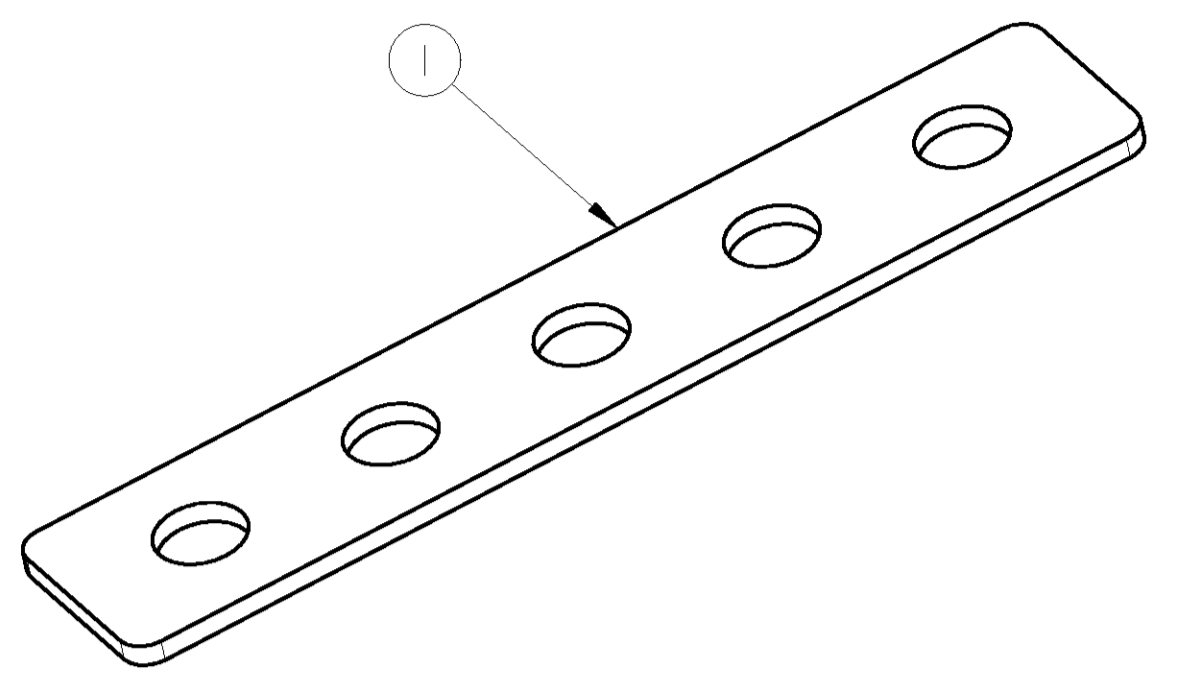


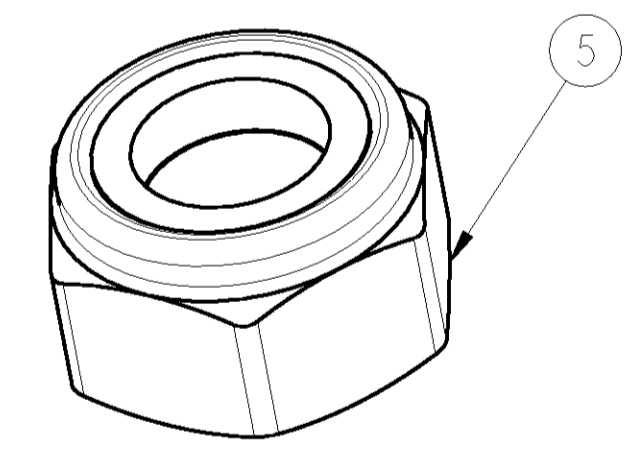
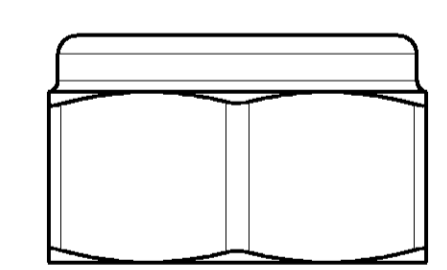
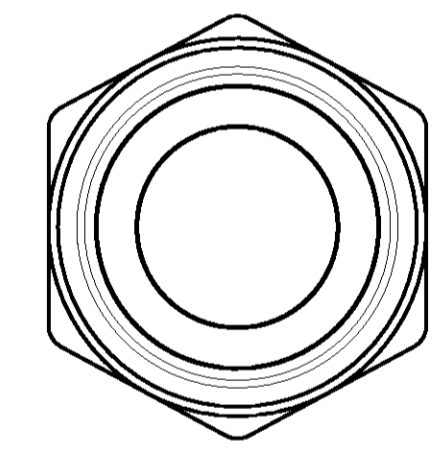
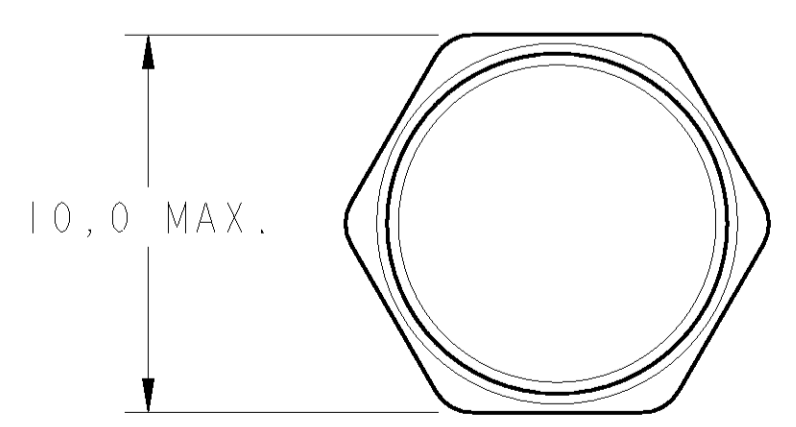
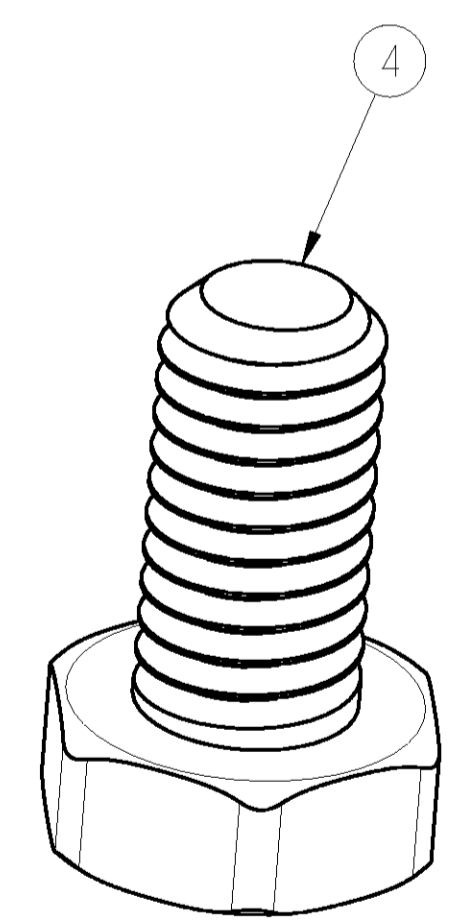
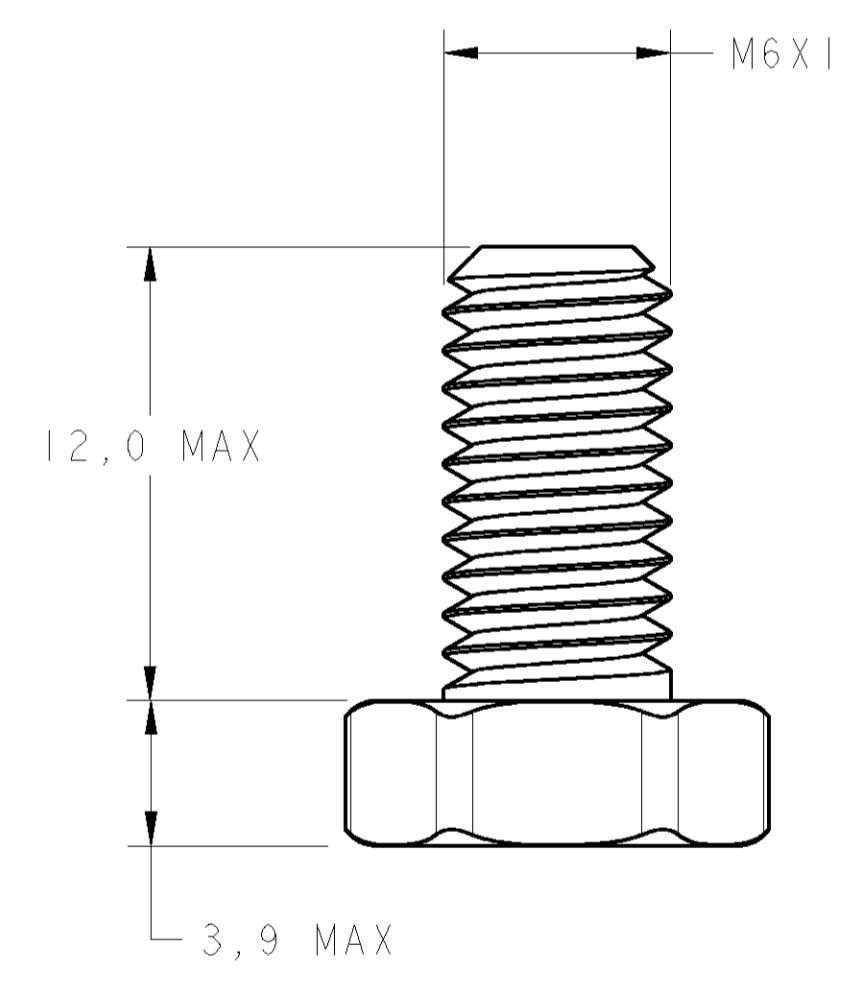
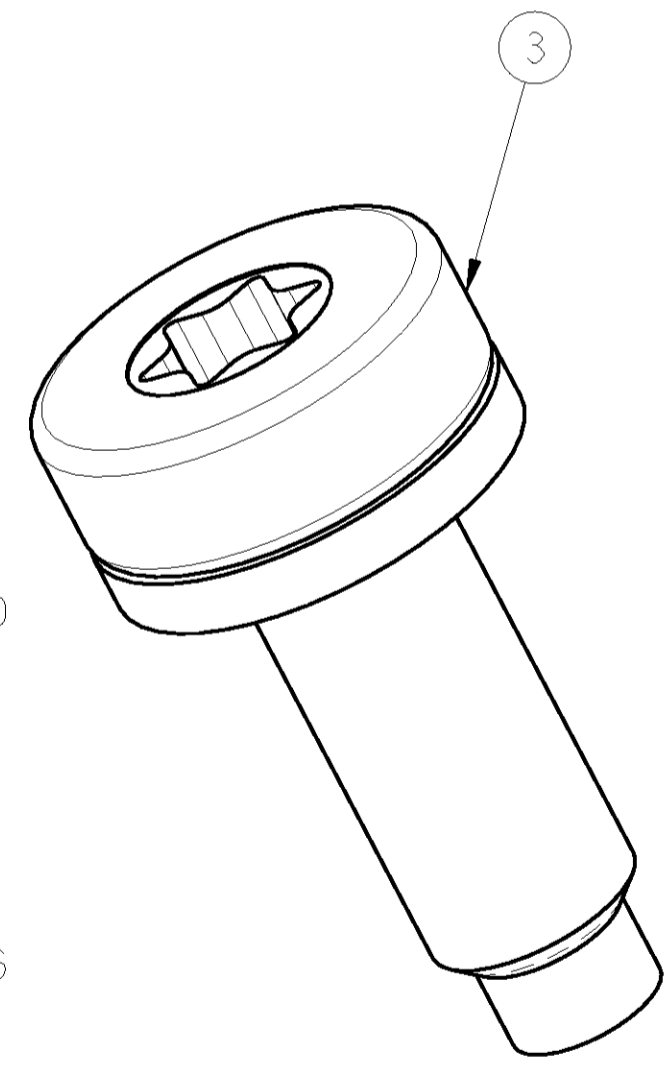
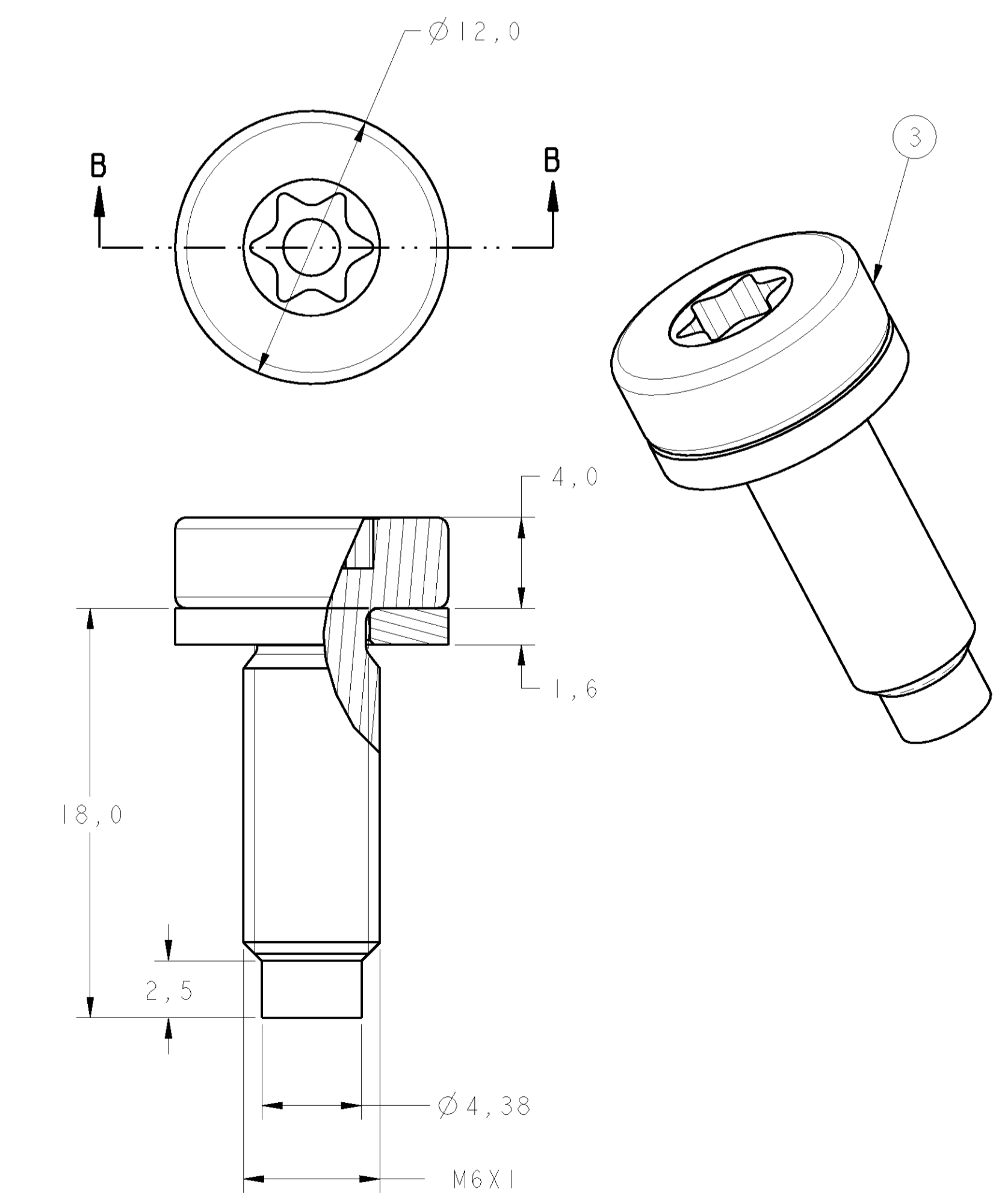
LOC		DIST		REVISIONS			
P.	LTR.	DESCRIPTION	DATE	DWN	APVD		
0		RELEASED BY EC LE10-0075-05	24FEB2005	EL	PLF		
A		REVISED EC LE10-0110/05	30MAR2005	MAS	PLF		
B		REVISED BY ECO-06-009320	24JUL2006	RKTL	PLF		



SCALE 2:1



SCALE 2:1



REQ. PER ASSY	ITEM	DESCRIPTION	MATERIAL	FINISH
1	1	BUSBAR, POWER DISTRIBUTION	LATAO/BRASS	UNPLATED
1	2	BOLT	LATAO/BRASS	UNPLATED
1	3	SPLINE SOCKET SCREW, M6X30	ACO/STEEL	ZINC PLATED/ZINCADO
2	4	SCREW, M6	ACO/STEEL	ZINC PLATED/ZINCADO
3	5	NUT M6, SELF LOCKING	ACO/STEEL	Zn/Ni COLORLESS

DIMENSIONS:		TOLERANCES UNLESS OTHERWISE SPECIFIED:		DWN		TYCO		TYCO ELECTRONICS do Brasil LTDA.	
mm	0 PLC	±		E. LOPES	22FEB2005	Electronics		Sao Paulo, Brasil	
	1 PLC	±0,5		CHK P. L. FARIA 22FEB2005		NAME		POWER DISTRIBUTION FIXING KIT	
	2 PLC	±		APVD M. S. OLIVEIRA 22FEB2005		SIZE		CAGE CODE DRAWING NO	
	3 PLC	±		PRODUCT SPEC		RESTRICTED TO			
	4 PLC	±		APPLICATION SPEC		WEIGHT		A 00779 C=1599601	
	5 PLC	±		ANGLES		CUSTOMER DRAWING		SCALE 5:1 SHEET 1 OF 1 REV B	