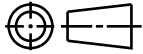
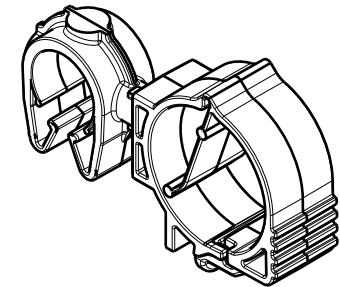
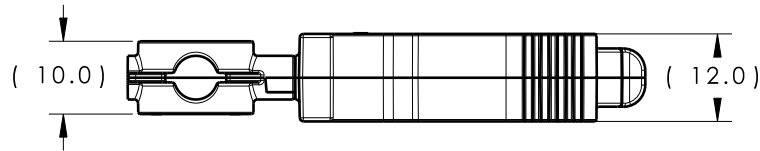


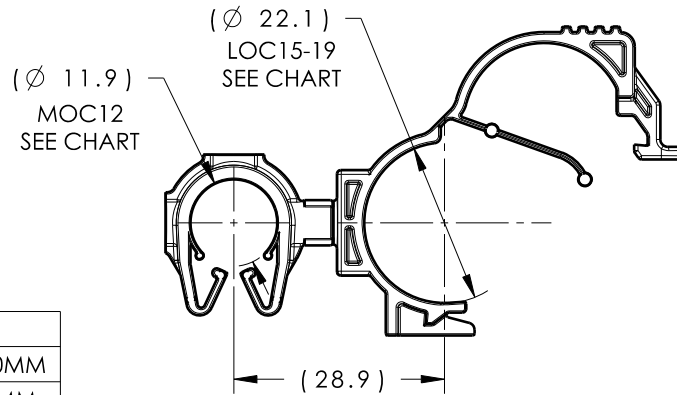
CATIA V5



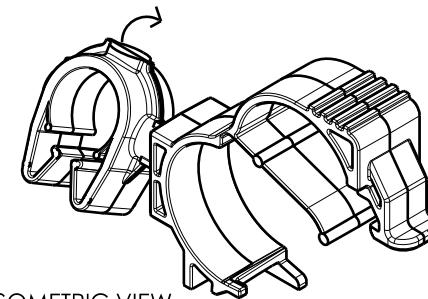
Revision Level			Revision Record	Changed	Date	Approved	Date
Drawing	State	Part					
00.0	Design Release	-	SEE ECN# 014970	JMC	03/22/19	EJH	03/22/19



ISOMETRIC VIEW
CLOSED



CLIPS ROTATE
360 DEGREES



ISOMETRIC VIEW
OPEN

TYPE	MOC12
HARNESS	11.5MM-13.0MM
HOSE	10.5MM-13MM
HARD PIPE/TUBE	12.0MM-13.8MM

*RECOMMENDED SIZES MAY DIFFER DEPENDING ON THE APPLICATION, PRODUCT, REQUIRMENTS AND MATERIALS USED

**PATENT PENDING 29/582,271

GLOBAL PART DESCRIPTION	MOC12**			LOC15-19		
	DRAWING	MATERIAL	COLOR	DRAWING	MATERIAL	COLOR
MOC12FLOC15-19-PA66HIRHSUV-BK	16-0319-001-CSU	PA66HIRHSUV	BLACK	12-0429-051-CSU	PA66HIRHSUV	BLACK

Material SEE CHART COLOR: SEE CHART	Units	millimeters	The copyright of this drawing is reserved by HellermannTyton. It is issued on condition that it is not reproduced, copied or disclosed to a third party, either wholly or in part, without the consent of HellermannTyton.	Drawn	JMC	03/22/19	Article/Type-No	MOC12FLOC15-19		Scale	1:1				
	Tolerance defined on each dimension	Approved		EJH	03/22/19	Title		12MM MOC COUPLED TO 15-19MM LOC			Project Number	16-0327			
		HellermannTyton						Drawing-No	PRODUCTION : Phase			Format	AH		
									North America Email: corp@htamericas.com Web: www.hellermann.tyton.com						16-0327-123-CSU