

6 5 4 3 2 1

E

E

D

D

C

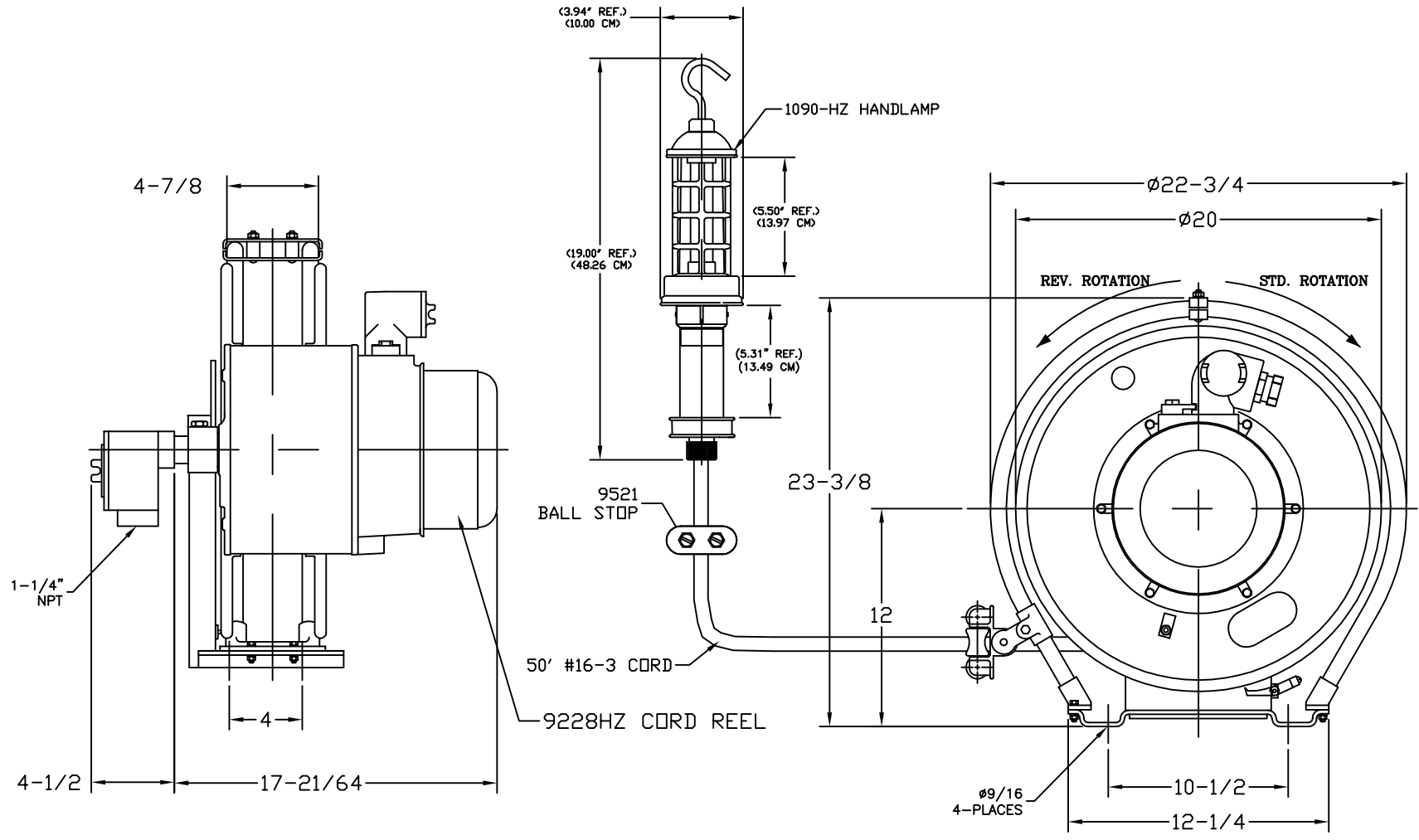
C

B

B

A

A



RELEASE DRAWING EC NO: WNA2009-0677 DRWN: TVICKERS 4/14/09 CHKD: HK APPR: DTTILUS 2009/05/07 REV: A	DESCRIPTION 9228HZ CORD REEL	QUALITY SYMBOLS ▽=0 ∇=0		GENERAL TOLERANCES (UNLESS SPECIFIED)		DIMENSION STYLE INCH		SCALE NTS	DESIGN UNITS INCH	THIRD ANGLE PROJECTION
		4 PLACES	±----	±----	DRAWN BY	DATE	TITLE			
		3 PLACES	±----	±.005	CHECKED BY	DATE	9228HZ CORD REEL W/1090HZ HANDLAMP			
		2 PLACES	±----	±.020	APPROVED BY	DATE				
		1 PLACE	±----	±.010	DT	2009/04/14	MOLEX INCORPORATED			
ANGULAR ±.5°				MATERIAL NO. 1300850920		DOCUMENT NO. SD-130085-001		SHEET NO. 1 OF 1		
DRAFT WHERE APPLICABLE MUST REMAIN WITHIN DIMENSIONS				SIZE A		THIS DRAWING CONTAINS INFORMATION THAT IS PROPRIETARY TO MOLEX INCORPORATED AND SHOULD NOT BE USED WITHOUT WRITTEN PERMISSION				

6 5 4 3 2 1