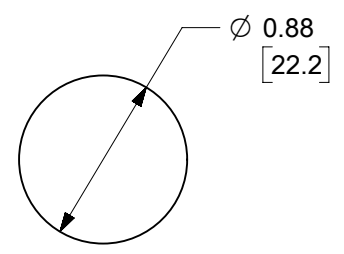
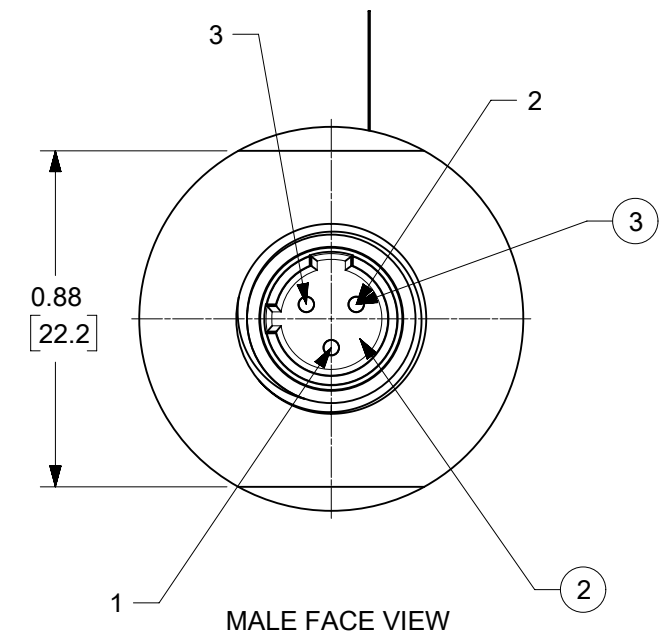
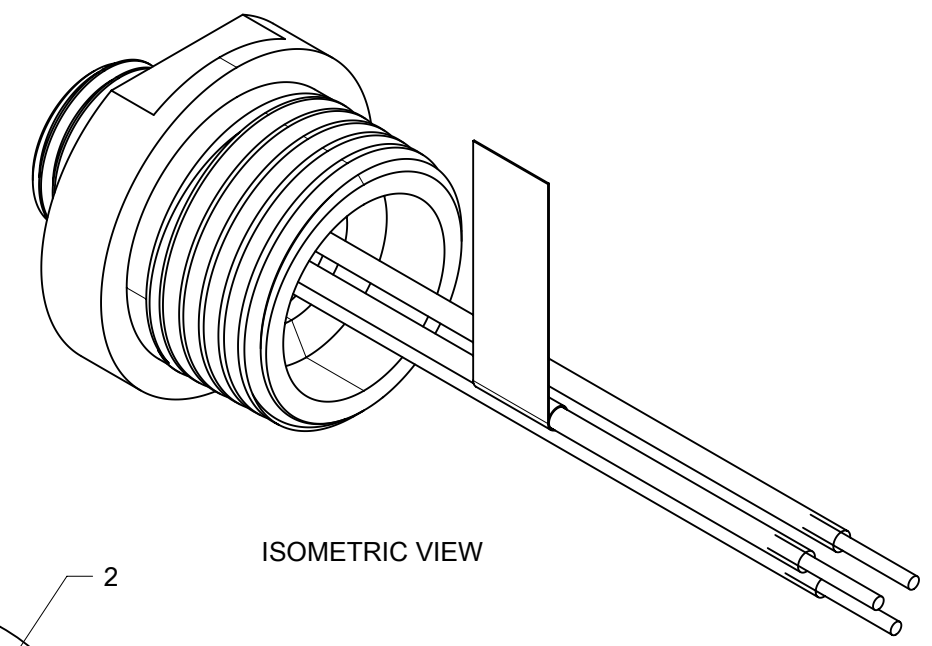
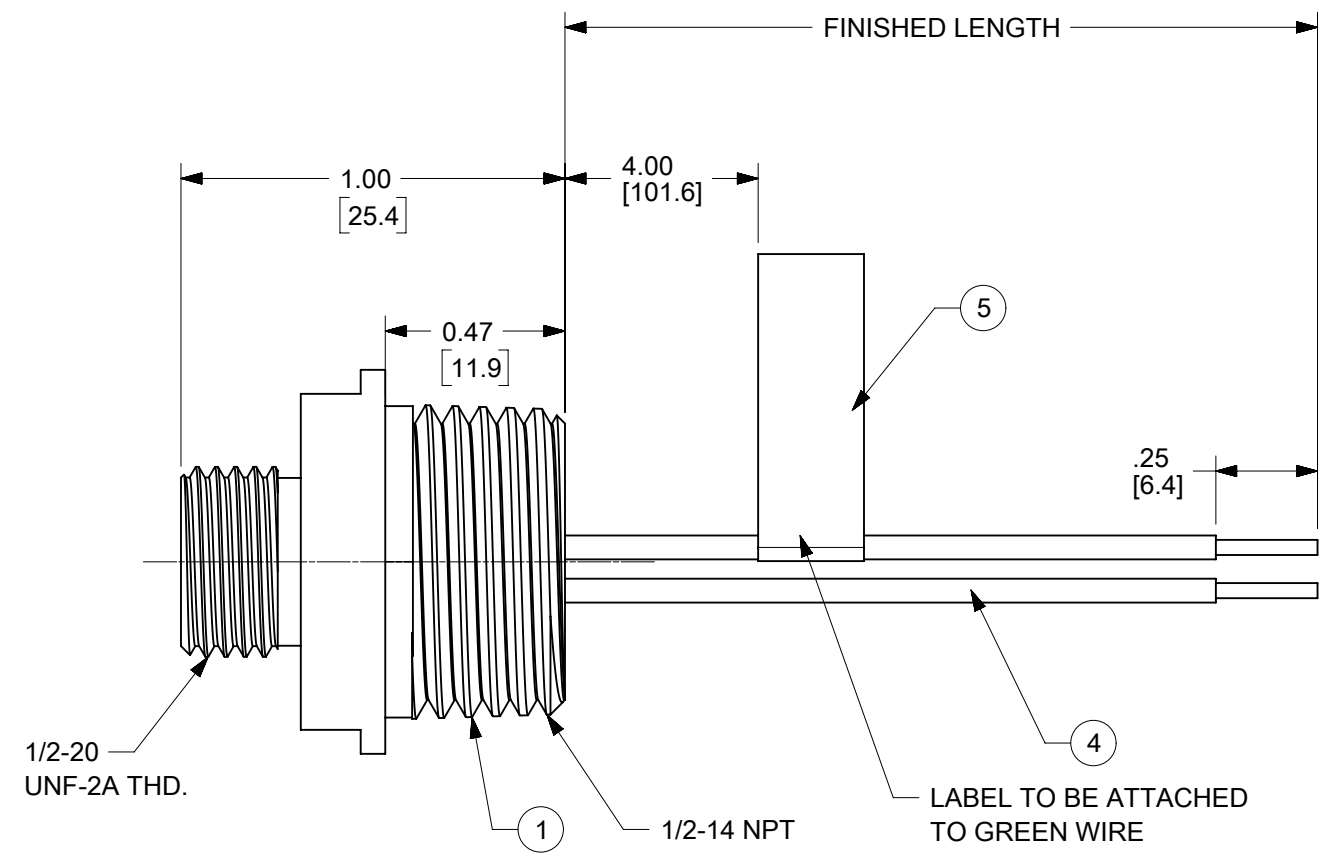


| | | |
|--------------|-----------------|-----------------|
| MATERIAL NO. | ENGINEERING NO. | FINISHED LENGTH |
| 1200740402 | 7R3006A19A1803 | 18IN |



- NOTES:
1. MATERIAL: SEE TABLE
 2. FINISHES: SEE TABLE
 3. ELECTRICAL SPECIFICATIONS:
VOLTAGE RATING: 250V AC/DC
CURRENT RATING: 4 AMPS
 4. TEMP RATING: -20°TO +80°C
 5. PROTECTION: IP67 WHEN FULLY MATED
 6. UL LISTED FILE: E152210
CSA CERTIFIED: LR6837
 7. ALL DIMS ARE FOR REFERENCE UNLESS TOLERANCED OR NOTED OTHERWISE

PART NUMBER LEGEND
7R3006A19A1803

| | |
|-------------|---|
| GREEN | 1 |
| RED W/BLACK | 2 |
| RED W/WHITE | 3 |

WIRING DIAGRAM

LENGTH:
A180 = 18 IN
F001 = .1 FT
F010 = 1 FT

CABLE LENGTH TOLERANCES

| | |
|--------------------------|-------------------------|
| >.3M [1FT]: | +19mm-0 [+1.75in-0] |
| .3 - .9M [1 - 3FT]: | +44.5mm-0 [+1.75in-0] |
| .9 - 1.8M [3 - 6FT]: | +55.6mm-0 [+2.19in-0] |
| 1.8 - 3.7M [6 - 12FT]: | +88.9mm-0 [+3.50in-0] |
| 3.7 - 7.3M [12 - 24FT]: | +165.1mm-0 [+6.50in-0] |
| 7.3-14.6M [24 - 48FT]: | +317.5mm-0 [+12.50in-0] |
| 14.6 - 30.5M [48-100FT]: | +622.3mm-0 [+24.50in-0] |
| OVER 30M [100FT] | +2% OF FINISHED LENGTH |

| QTY | DESCRIPTION | MATERIAL | FINISH |
|-----|-----------------------|----------------|---------------|
| 5 | FLAG LABEL | VINYL | CLEAR/YELLOW |
| 4 | WIRE, 22 AWG | PVC INSULATION | SEE FACE VIEW |
| 3 | CONTACT PIN | CU ALLOY | GOLD PLATED |
| 2 | INSERT, 3P MALE | NYLON | BLACK |
| 1 | RECEPTACLE SHELL MALE | BRASS ALLOY | NICKEL PLATED |

THIS DRAWING CONTAINS INFORMATION THAT IS PROPRIETARY TO MOLEX ELECTRONIC TECHNOLOGIES, LLC AND SHOULD NOT BE USED WITHOUT WRITTEN PERMISSION

| | | | | |
|---------|--|-------|-----------------------------------|-----------------|
| SYMBOLS | DIMENSION UNITS | SCALE | CURRENT REV DESC: INITIAL RELEASE | |
| | HYBRID | 1:1 | | |
| ▽ = 0 | GENERAL TOLERANCES (UNLESS SPECIFIED) | | EC NO: 615934 | |
| ▽ = 0 | ANGULAR TOL | ± | DRWN: CCHRASKA | 2019/04/10 |
| ▽ = 0 | 4 PLACES | ± | CHK'D: MZIELINSKI | 2019/04/23 |
| ▽ = 0 | 3 PLACES | ± | APPR: BWOODMAN | 2019/04/25 |
| ▽ = 0 | 2 PLACES | ± | INITIAL REVISION: | |
| ▽ = 0 | 1 PLACE | ± | DRWN: CCHRASKA | 2019/04/10 |
| ▽ = 0 | 0 PLACES | ± | APPR: BWOODMAN | 2019/04/25 |
| ▽ = 0 | DRAFT WHERE APPLICABLE MUST REMAIN WITHIN DIMENSIONS | | THIRD ANGLE PROJECTION | DRAWING |
| ▽ = 0 | | | SERIES | MATERIAL NUMBER |
| | | | B-SIZE | 120074 |
| | | | SEE TABLE | CUSTOMER |
| | | | | SHEET NUMBER |
| | | | | 1 OF 1 |

molex

MIC 3P MR 18IN 1/2-14 NPT

PRODUCT CUSTOMER DRAWING

| | | | |
|-----------------|----------|----------|----------|
| DOCUMENT NUMBER | DOC TYPE | DOC PART | REVISION |
| 1200740402 | PSD | 000 | A |