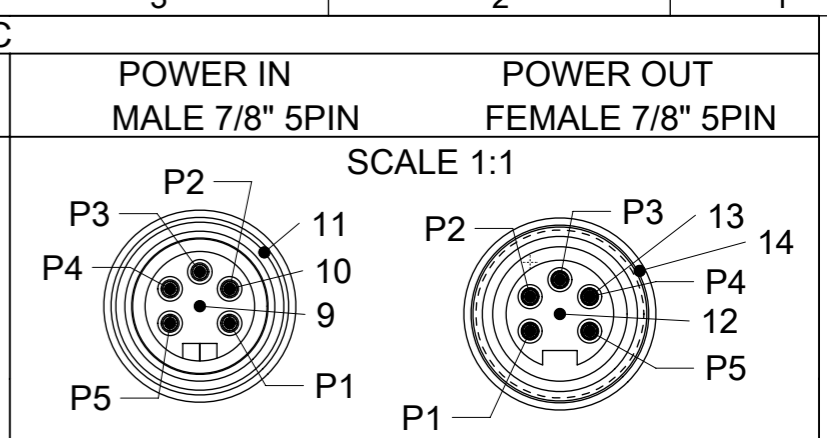
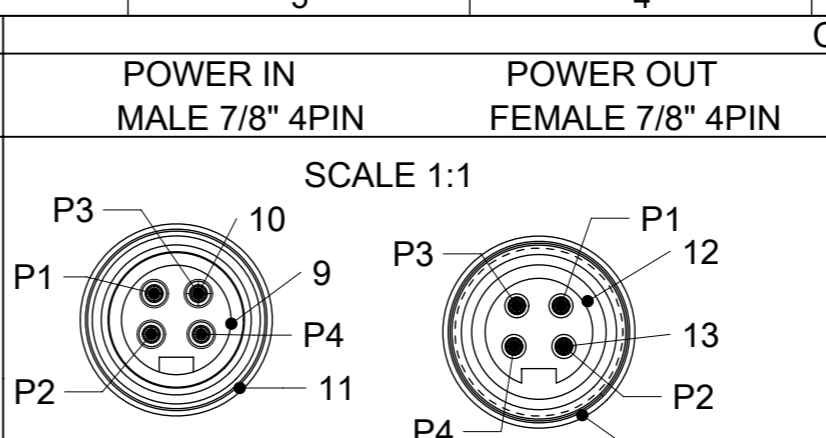
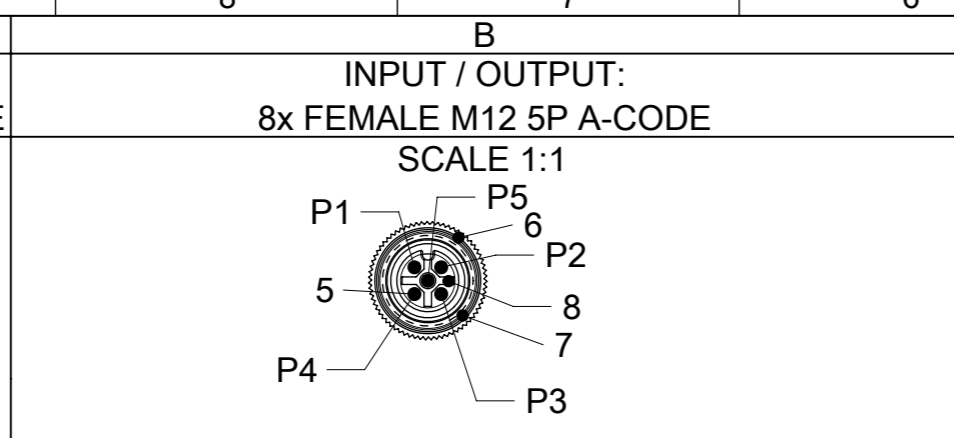
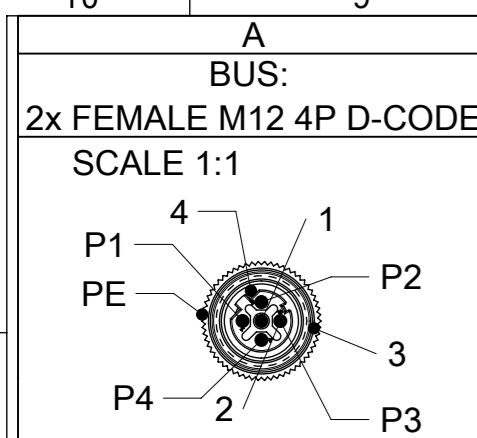


SCALE 1:2

THIS DRAWING CONTAINS INFORMATION THAT IS PROPRIETARY TO MOLEX ELECTRONIC TECHNOLOGIES, LLC AND SHOULD NOT BE USED WITHOUT WRITTEN PERMISSION											
DIMENSION UNITS		SCALE		CURRENT REV DESC: OBSOLETE PART NUMBERS							
mm		1:1									
GENERAL TOLERANCES (UNLESS SPECIFIED)											
ANGULAR TOL ± °				IO:ENET/IP:IP67-60MM:8P5:16 DCONFIG U12 4P 2PT DC FE							
4 PLACES ±				EC NO: 642013				2020/07/22			
3 PLACES ±				DRWN: AKUMAR19				2020/09/24			
2 PLACES ±				CHK'D: GGA				2020/09/24			
1 PLACE ± 0.3				APPR: GGA				2020/09/24			
0 PLACES ± 0.5				INITIAL REVISION:				DOCUMENT NUMBER			
DRAFT WHERE APPLICABLE MUST REMAIN WITHIN DIMENSIONS				DRWN: SSM				1120955011			
THIRD ANGLE PROJECTION				APPR: RSILLER				PSD 000 A4			
DRAWING				SERIES				MATERIAL NUMBER			
A3-SIZE				112095				SEE TABLE			
CUSTOMER				GENERAL MARKET				SHEET NUMBER			
								1 OF 6			



WIRING INFORMATION
P1 TX+
P2 RX+
P3 TX-
P4 RX-

WIRING INFORMATION INPUT
P1 - +24 VDC
P2 - Input (even)
P3 - 0 V (Ground)
P4 - Input (odd)
P5 - PE (Protected Earth)

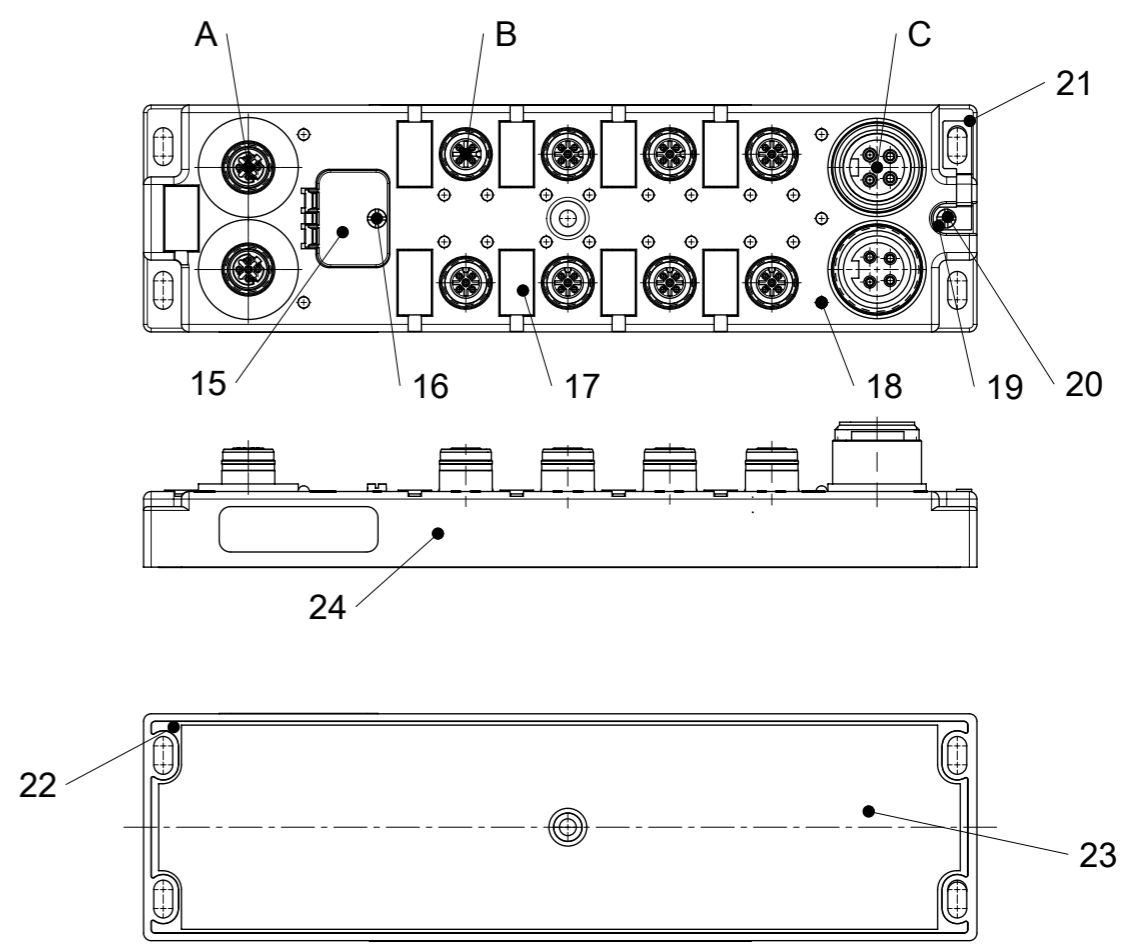
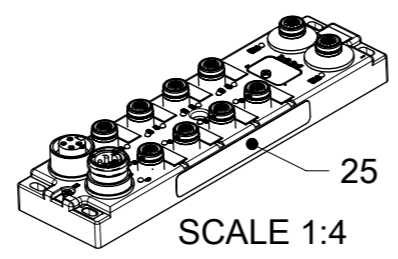
WIRING INFORMATION OUTPUT
P1 - N/C
P2 - Output (even)
P3 - 0 V (Ground)
P4 - Output (odd)
P5 - PE (Protected Earth)

WIRING INFORMATION
P1 - +24 VDC (Outputs Power)
P2 - +24 VDC (Module & Inputs Power)
P3 - 0 V (Module & Inputs Power)
P4 - 0 V (Outputs Power)

WIRING INFORMATION
P1 - 0 V (Outputs Power)
P2 - 0 V (Module & Inputs Power)
P3 - PE (Protected Earth)
P4 - +24 VDC (Module and Inputs Power)
P5 - +24 VDC (Outputs Power)

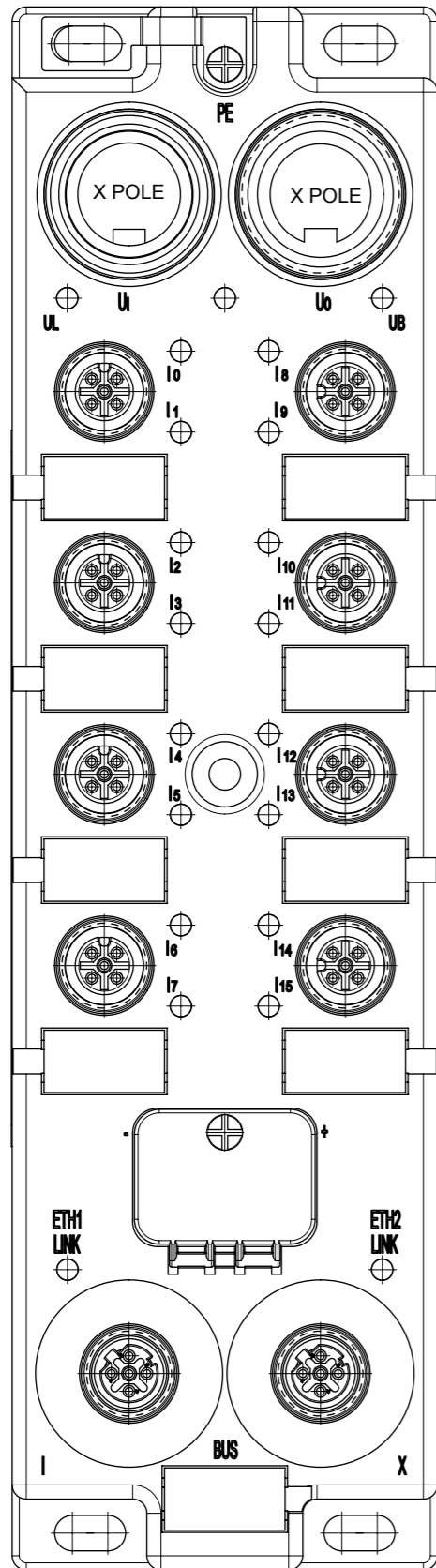
BILL OF MATERIAL

ITEM	DESCRIPTION	MATERIAL	FINISH
1	INSERT	TPU	BLACK
2	CONTACT	COPPER ALLOY	GOLD OVERNICKEL
3	SHELL	BRASS	NICKEL PLATET
4	GASKET	FPM	BLACK
5	CONTACT	COPPER ALLOY	GOLD OVER NICKEL
6	GASKET	FPM	BLACK
7	SHELL	BRASS	NICKEL PLATET
8	INSERT	TPU	BLACK
9	INSERT	TPE	YELLOW
10	CONTACT	COPPER ALLOY	GOLD OVERNICKEL
11	SHELL	BRASS	NICKEL PLATET
12	INSERT	TPE	YELLOW
13	CONTACT	COPPER ALLOY	GOLD OVER NICKEL
14	SHELL	BRASS	NICKEL PLATET
15	WINDOW	PC	TRANSPARENT
16	SCREW	V2A	-
17	LABEL	PC	WHITE
18	FIBER OPTIC	PA	TRANSPARENT
19	WASHER	BRASS	NICKEL PLATET
20	SCREW	V2A	-
21	SHIELD PLATE	STAINLESS STEEL	-
22	RESIN	EPOXY	TRANSPARENT
23	LABEL	PVC	WHITE
24	HOUSING	PBT	BLACK
25	LABEL	PVC	YELLOW



THIS DRAWING CONTAINS INFORMATION THAT IS PROPRIETARY TO MOLEX ELECTRONIC TECHNOLOGIES, LLC AND SHOULD NOT BE USED WITHOUT WRITTEN PERMISSION

DIMENSION UNITS mm	SCALE 1:2	CURRENT REV DESC: OBSOLETE PART NUMBERS		molex		
GENERAL TOLERANCES (UNLESS SPECIFIED)		EC NO: 642013				
ANGULAR TOL ± °	4 PLACES ±	DRWN: AKUMAR19	2020/07/22	PRODUCT CUSTOMER DRAWING		
3 PLACES ±	2 PLACES ±	CHK'D: GGA	2020/09/24	DOCUMENT NUMBER		
1 PLACE ± 0.3	0 PLACES ± 0.5	APPR: GGA	2020/09/24	1120955011		
DRAFT WHERE APPLICABLE MUST REMAIN WITHIN DIMENSIONS	THIRD ANGLE PROJECTION	INITIAL REVISION:	2019/02/28	DOC TYPE	DOC PART	REVISION
		DRWN: SSM	2019/03/27	PSD	000	A4
		APPR: RSILLER		MATERIAL NUMBER	CUSTOMER	SHEET NUMBER
				SEE TABLE	GENERAL MARKET	2 OF 6



16 IN PRINTING

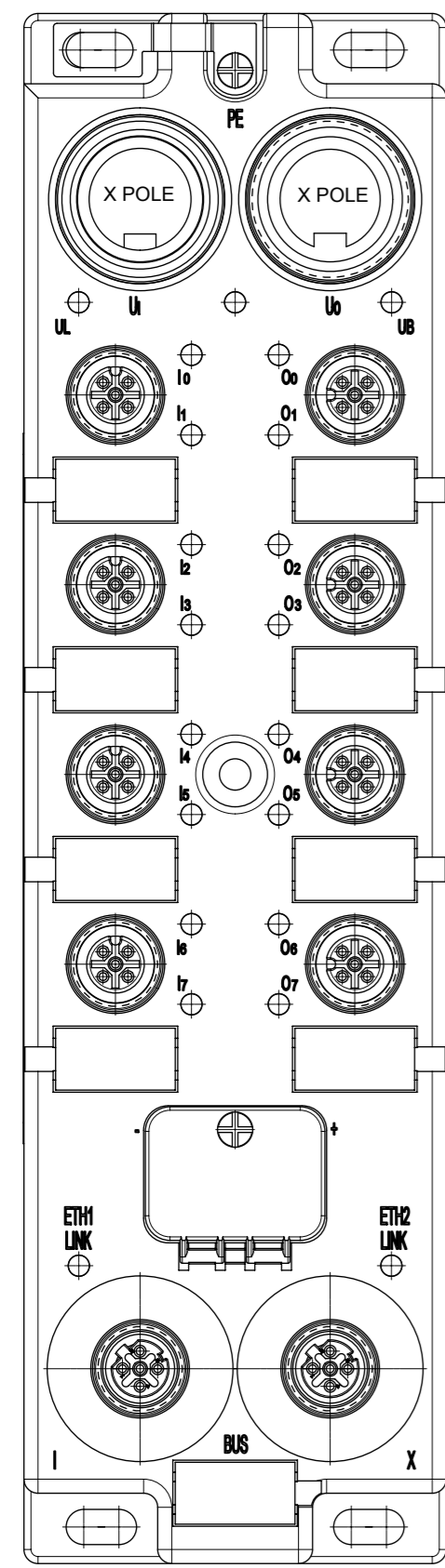
TABLE 1 16 IN PRINTING

POWER TYPE	INPUT/OUTPUT		EtherNet/IP		PROFINET		3D MODEL NO.
			ENG. NO	MOLEX P/N	ENG. NO	MOLEX P/N	
7/8" 5 POLE	PNP	16I			TCDEP-8D0P-D1U-G	1120955048	1120955011- PDM
7/8" 4 POLE		16I	TCDEI-8D0P-DYU-G02	1120955137			

THIS DRAWING CONTAINS INFORMATION THAT IS PROPRIETARY TO MOLEX ELECTRONIC TECHNOLOGIES, LLC AND SHOULD NOT BE USED WITHOUT WRITTEN PERMISSION									
DIMENSION UNITS	SCALE	CURRENT REV DESC: OBSOLETE PART NUMBERS							
mm	1:1								
GENERAL TOLERANCES (UNLESS SPECIFIED)						IO:ENET/IP:IP67:60MM:8P5:16 DCONFIG U12 4P 2PT DC FE			
ANGULAR TOL	± °					PRODUCT CUSTOMER DRAWING			
4 PLACES	±	EC NO: 642013				DOCUMENT NUMBER			
3 PLACES	±	DRWN: AKUMAR19		2020/07/22		1120955011			
2 PLACES	±	CHK'D: GGA		2020/09/24		DOC TYPE DOC PART REVISION			
1 PLACE	± 0.3	APPR: GGA		2020/09/24		PSD 000 A4			
0 PLACES	± 0.5	INITIAL REVISION:			MATERIAL NUMBER		CUSTOMER		
DRAFT WHERE APPLICABLE MUST REMAIN WITHIN DIMENSIONS		DRWN: SSM		2019/02/28	SEE TABLE		GENERAL MARKET		
		APPR: RSILLER		2019/03/27	A3-SIZE		SHEET NUMBER		
		THIRD ANGLE PROJECTION			SERIES		3 OF 6		
		DRAWING			112095				

TABLE 2 8I/8O PRINTING

POWER TYPE	INPUT/OUTPUT	EtherNet/IP		PROFINET		3D MODEL NO.
		ENG. NO	MOLEX P/N	ENG. NO	MOLEX P/N	
7/8" 5 POLE	PNP	8I/8O		TCDEP-888P-D1U-G	1120955050	1120955011 - PDM
7/8" 4 POLE		8I/8O	TCDEI-888P-DYU-G02	1120955138		

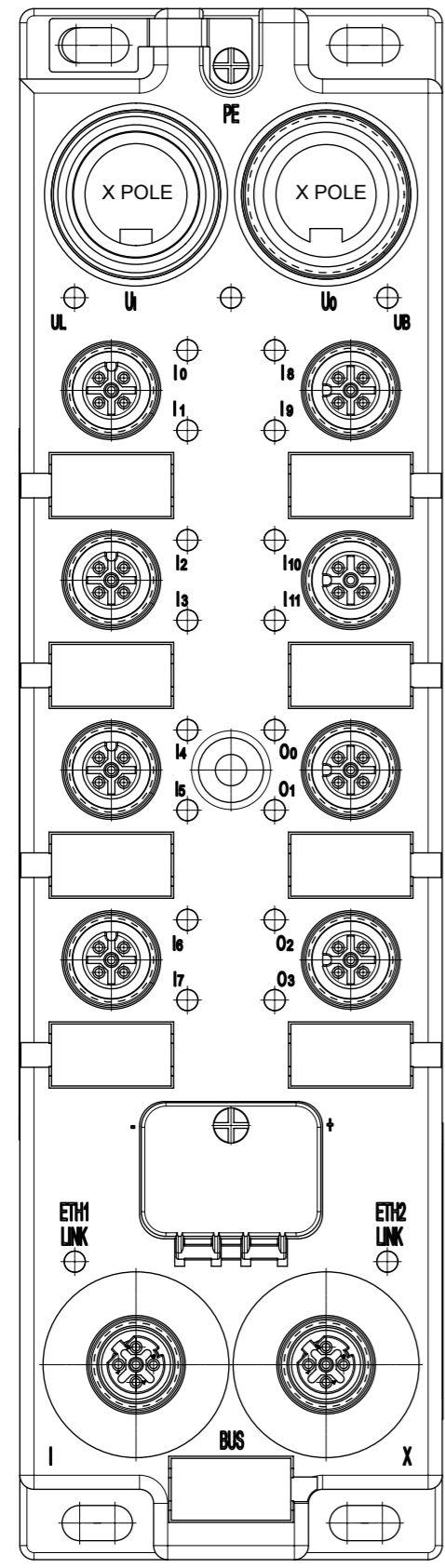


8I/8O IN PRINTING

THIS DRAWING CONTAINS INFORMATION THAT IS PROPRIETARY TO MOLEX ELECTRONIC TECHNOLOGIES, LLC AND SHOULD NOT BE USED WITHOUT WRITTEN PERMISSION													
DIMENSION UNITS		SCALE		CURRENT REV DESC: OBSOLETE PART NUMBERS									
mm		1:1											
GENERAL TOLERANCES (UNLESS SPECIFIED)												IO:ENET/IP:IP67:60MM:8P5:16 DCONFIG U12 4P 2PT DC FE	
ANGULAR TOL ± °				PRODUCT CUSTOMER DRAWING									
4 PLACES ±				EC NO: 642013				DOCUMENT NUMBER					
3 PLACES ±				DRWN: AKUMAR19 2020/07/22				1120955011					
2 PLACES ±				CHK'D: GGA 2020/09/24				DOC TYPE		DOC PART		REVISION	
1 PLACE ±		0.3		APPR: GGA 2020/09/24				PSD		000		A4	
0 PLACES ±		0.5		INITIAL REVISION:									
DRAFT WHERE APPLICABLE MUST REMAIN WITHIN DIMENSIONS		THIRD ANGLE PROJECTION		DRAWING		SERIES		MATERIAL NUMBER		CUSTOMER		SHEET NUMBER	
				A3-SIZE		112095		SEE TABLE		GENERAL MARKET		4 OF 6	

TABLE 3 12I/4O PRINTING

POWER TYPE	INPUT/OUTPUT		EtherNet/IP		PROFINET		3D MODEL NO.
			ENG. NO	MOLEX P/N	ENG. NO	MOLEX P/N	
7/8" 5 POLE	PNP	12I/4O	-	-	TCDEP-8B4P-D1U-G	1120955051	1120955011 - PDM

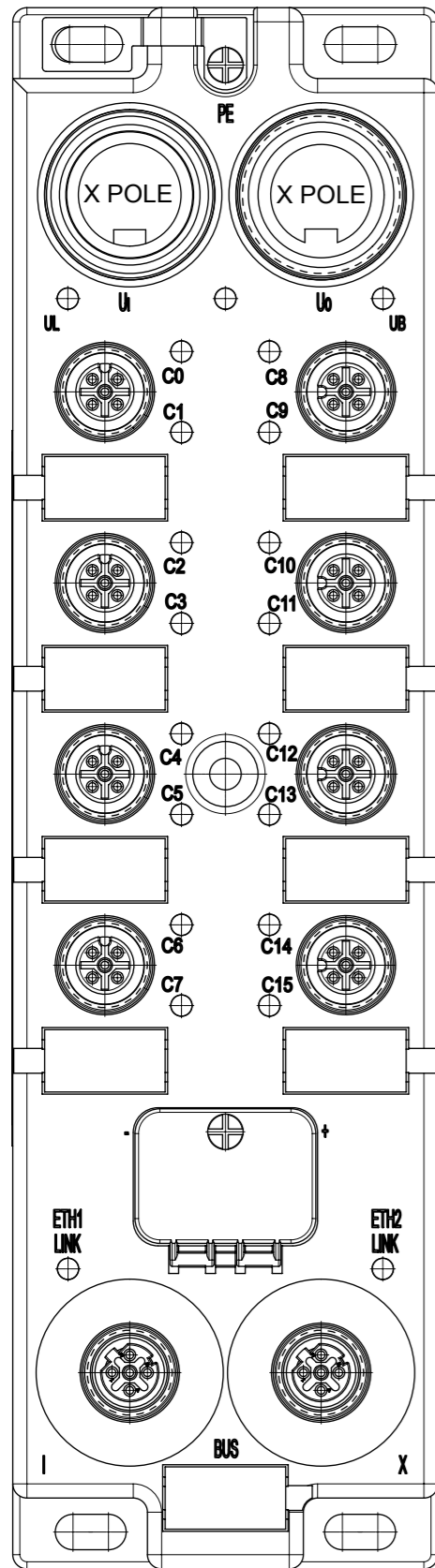


12I/4O PRINTING

THIS DRAWING CONTAINS INFORMATION THAT IS PROPRIETARY TO MOLEX ELECTRONIC TECHNOLOGIES, LLC AND SHOULD NOT BE USED WITHOUT WRITTEN PERMISSION									
DIMENSION UNITS	SCALE	CURRENT REV DESC: OBSOLETE PART NUMBERS							
mm	1:1								
GENERAL TOLERANCES (UNLESS SPECIFIED)									
ANGULAR TOL	± °	IO:ENET/IP:IP67:60MM:8P5:16 DCONFIG U12 4P 2PT DC FE							
4 PLACES	±	PRODUCT CUSTOMER DRAWING							
3 PLACES	±	EC NO: 642013 DRWN: AKUMAR19 2020/07/22 CHK'D: GGA 2020/09/24 APPR: GGA 2020/09/24							
2 PLACES	±	INITIAL REVISION:							
1 PLACE	± 0.3	DRWN: SSM 2019/02/28 APPR: RSILLER 2019/03/27							
0 PLACES	± 0.5	DOCUMENT NUMBER		DOC TYPE		DOC PART		REVISION	
DRAFT WHERE APPLICABLE MUST REMAIN WITHIN DIMENSIONS		1120955011		PSD		000		A4	
THIRD ANGLE PROJECTION		DRAWING		SERIES		MATERIAL NUMBER		CUSTOMER	
		A3-SIZE		112095		SEE TABLE		GENERAL MARKET	
								SHEET NUMBER	
								5 OF 6	

TABLE 5 16 USER CONFIG PRINTING

POWER TYPE	INPUT/OUTPUT		EtherNet/IP		PROFINET		3D MODEL NO.
			ENG. NO	MOLEX P/N	ENG. NO	MOLEX P/N	
7/8" 5 POLE	PNP	USER CONFIG	TCDEI-8YYX-D1U-G02	1120955117	TCDEP-8YYX-D1U-01	1120955115	1120955011 - PDM
7/8" 4 POLE			TCDEI-8YYX-DYU-G02	1120955116	-	-	



THIS DRAWING CONTAINS INFORMATION THAT IS PROPRIETARY TO MOLEX ELECTRONIC TECHNOLOGIES, LLC AND SHOULD NOT BE USED WITHOUT WRITTEN PERMISSION		CURRENT REV DESC: OBSOLETE PART NUMBERS		molex	
DIMENSION UNITS	SCALE				
mm	1:1			IO:ENET/IP:IP67:60MM:8P5:16 DCONFIG U12 4P 2PT DC FE	
GENERAL TOLERANCES (UNLESS SPECIFIED)				PRODUCT CUSTOMER DRAWING	
ANGULAR TOL	± °			DOCUMENT NUMBER	
4 PLACES	±	EC NO: 642013		1120955011	
3 PLACES	±	DRWN: AKUMAR19		PSD	
2 PLACES	±	CHK'D: GGA		000	
1 PLACE	± 0.3	APPR: GGA		A4	
0 PLACES	± 0.5	INITIAL REVISION:		DOC TYPE	
DRAFT WHERE APPLICABLE MUST REMAIN WITHIN DIMENSIONS		DRWN: SSM		DOC PART	
THIRD ANGLE PROJECTION		APPR: RSILLER		REVISION	
DRAWING		SERIES		SHEET NUMBER	
A3-SIZE		112095		6 OF 6	
MATERIAL NUMBER		CUSTOMER			
SEE TABLE		GENERAL MARKET			