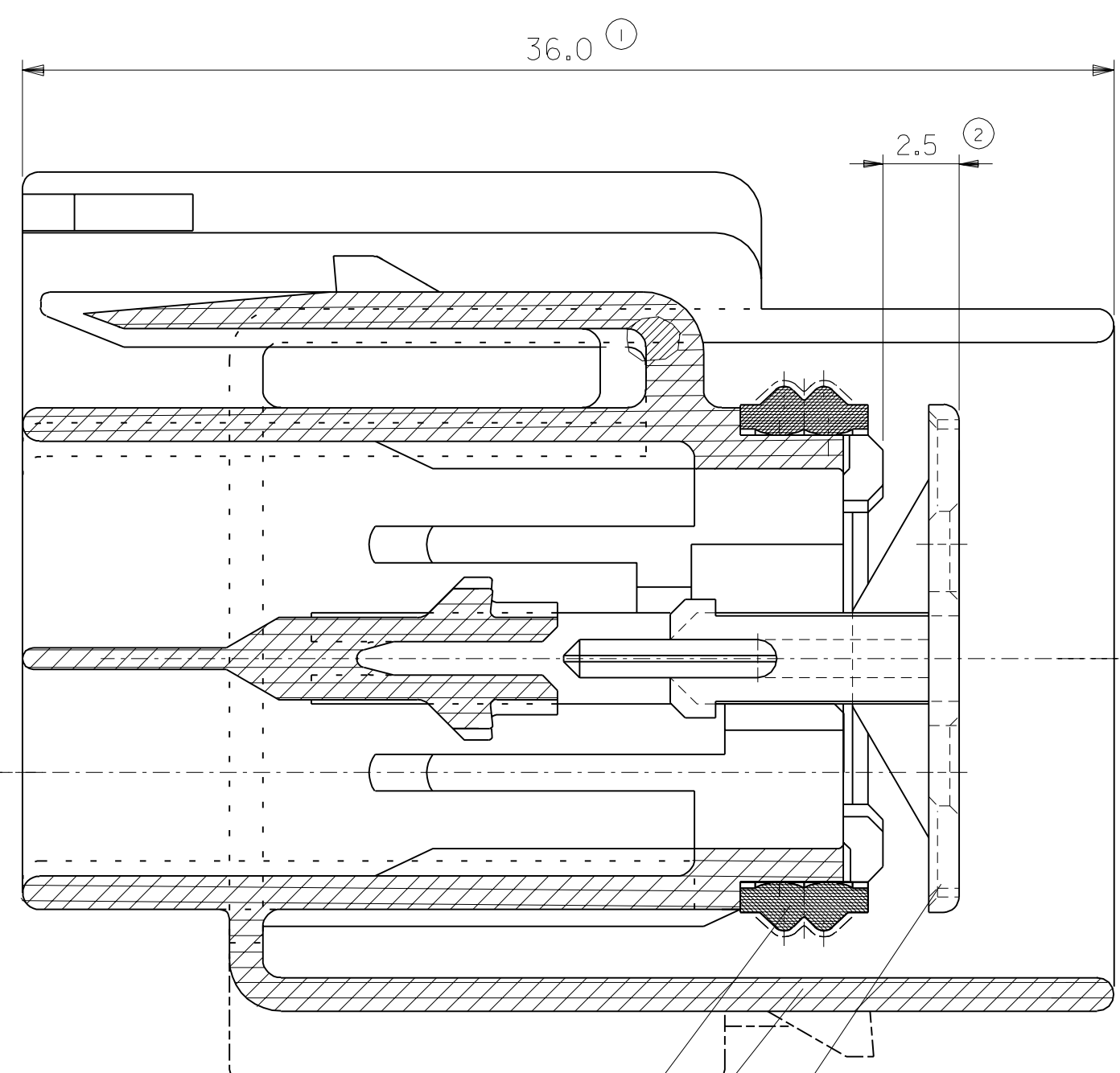
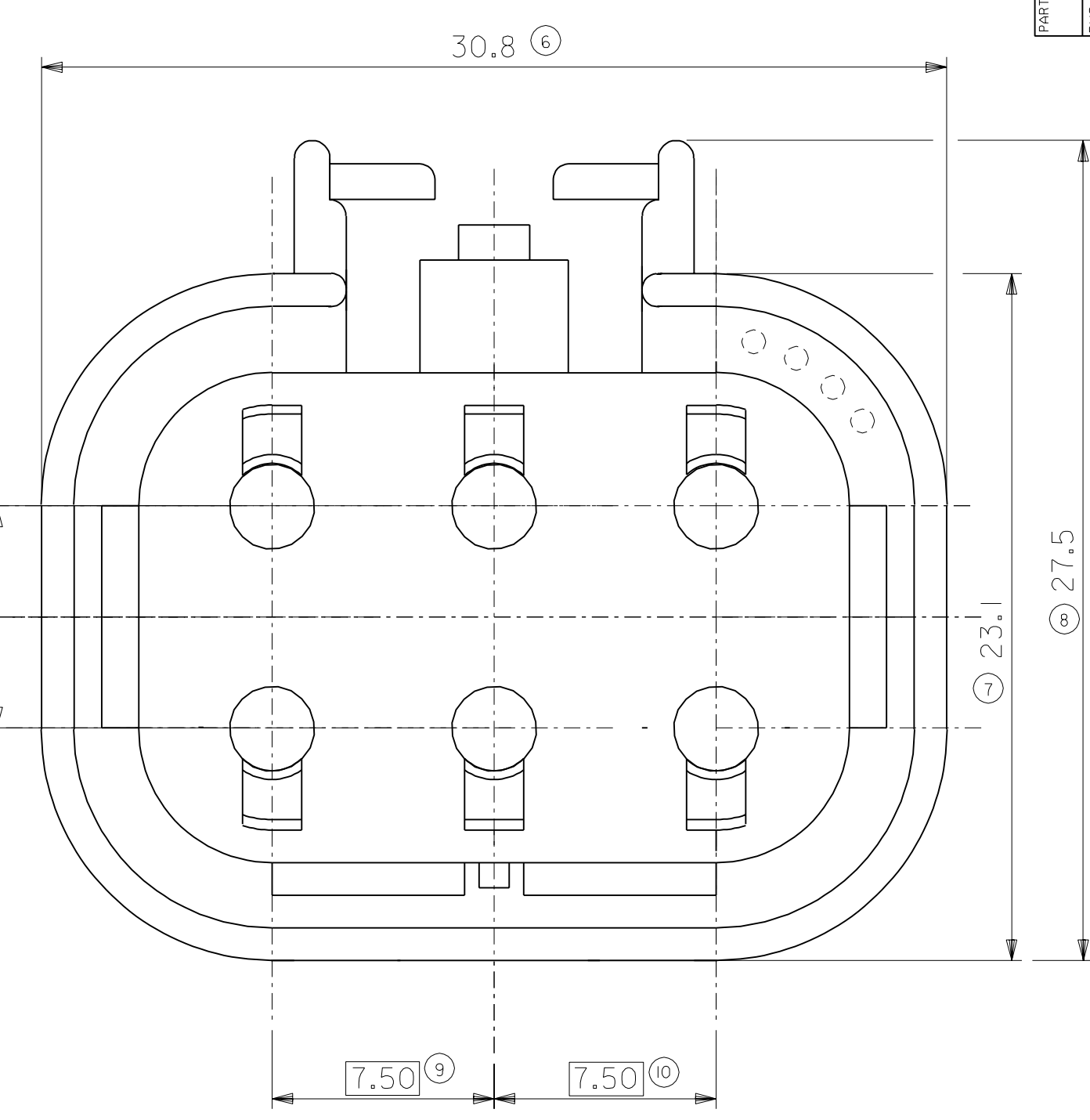
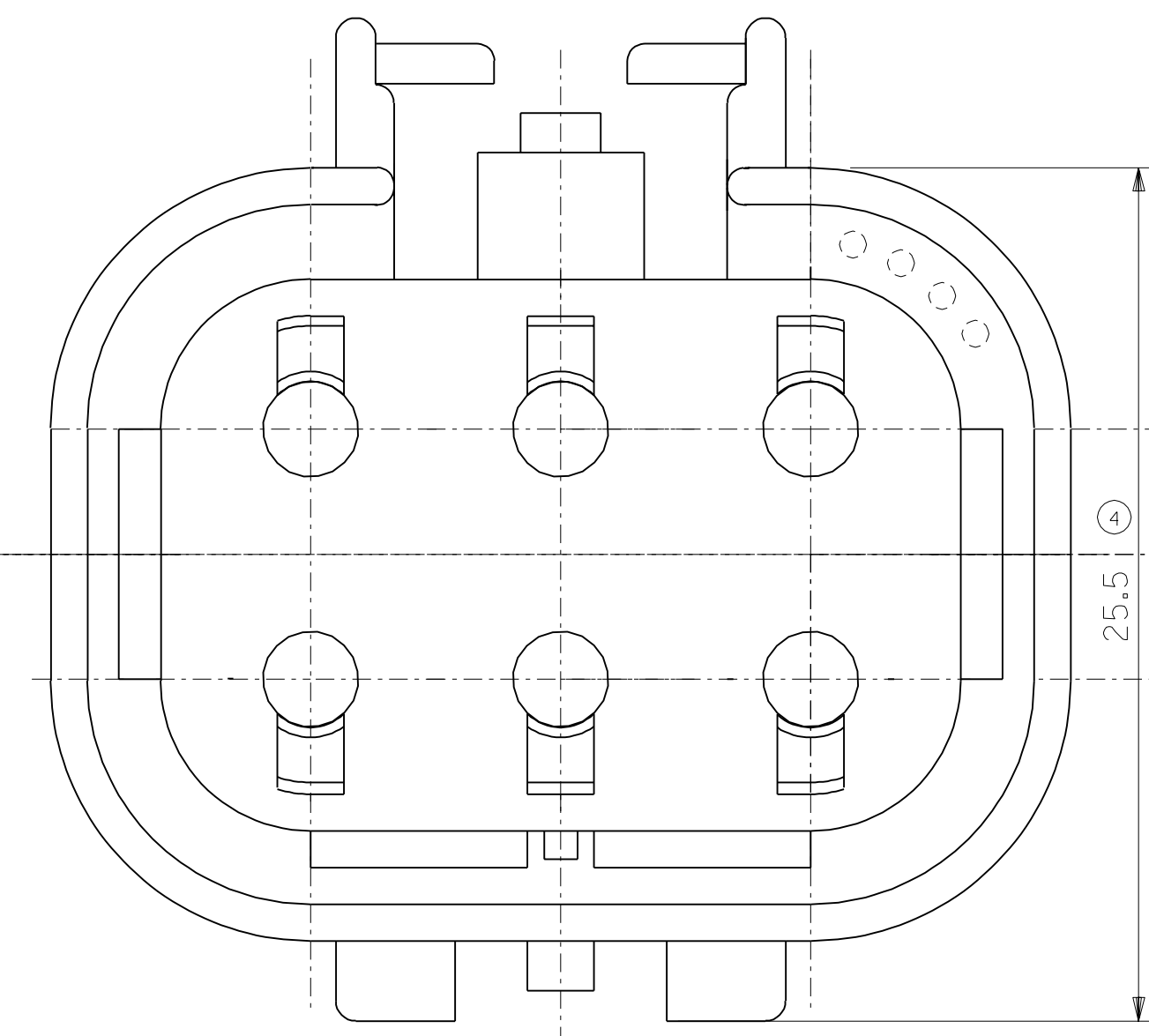


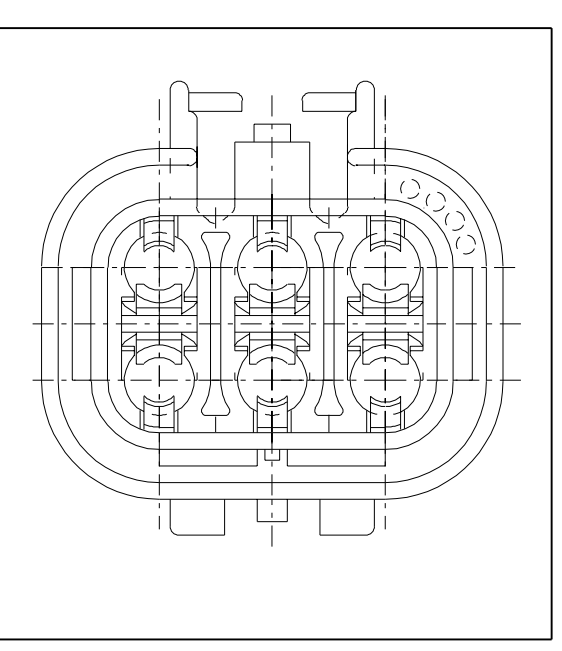
13 12 11 10 9 8 7 6 5 4 3 2 1



5 SEAL
 1 HOUSING
 2 SPACER
 1 ST STOP POSITION
 (COLOR BLUE)

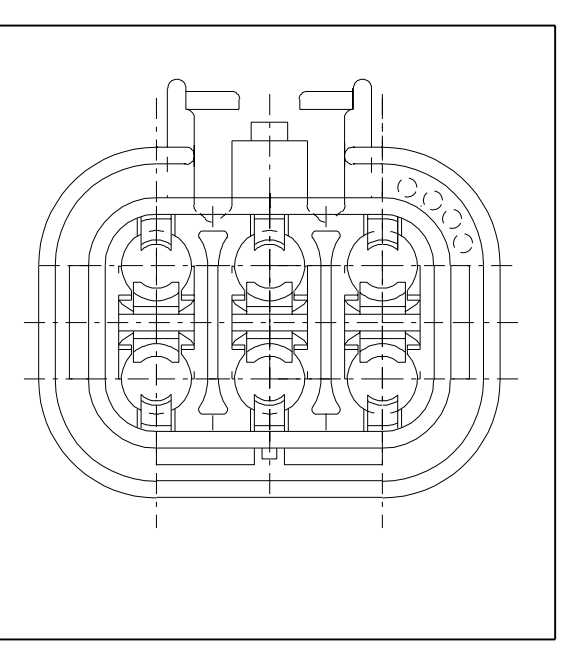


COLOR	FARBE	RAL	MOLEX-NO.
BLACK	SCHWARZ	9005	98029-0011
BROWN	BRAUN	8017	98029-0012
BLUE	BLAU	5015	98029-0013
GREEN	GRUEN	6001	98029-0014
YELLOW	GELB	1018	98029-0015
GREY	GRAU	7035	98029-0016
ORANGE	ORANGE	1007	98029-0017
NATUR	NATURAL	-	98029-0018



VERSION WITH MOUNTING - CLIP

COLOR	FARBE	RAL	MOLEX-NO.
BLACK	SCHWARZ	9005	98029-0001
BROWN	BRAUN	8017	98029-0002
BLUE	BLAU	5015	98029-0003
GREEN	GRUEN	6001	98029-0004
YELLOW	GELB	1018	98029-0005
GREY	GRAU	7035	98029-0006
ORANGE	ORANGE	1007	98029-0007
NATUR	NATURAL	-	98029-0008



VERSION WITHOUT MOUNTING - CLIP

MOLEX - CODE
 XXXXX - X X X X
 I-8 COLOR
 0=WITHOUT CLIP
 I=WITH CLIP
 0=HOUSING WITH SPACER
 I=HOUSING WITHOUT SPACER
 BASIC PART - NO.

MATERIAL: 1 PBTP 30% GV
 2 PBTP 30% GV
 5 SILICON RUBBER

FOR PREVIOUS
 DRAWING ISSUES
 SEE "EDIS"

ECN G-1999-3278 NME Date: 31-May-1999	REVISIONS	THIRD ANGLE PROJECTION		REVISE ONLY ON CAD SYSTEM		SH.	REV.													
		DIMENSIONS SHOWN (METRIC) INCH UNLESS OTHERWISE SPECIFIED TOLERANCES: ANGULAR *		CAD/CAM FILENAME SDA98029 DGN		THIS DRAWING CONTAINS INFORMATION THAT IS PROPRIETARY TO MOLEX INC. & SHOULD NOT BE USED WITHOUT WRITTEN PERMISSION														
PI	LTR	<table border="1"> <tr><th>PLACES</th><th>(MM)</th><th>(INCH)</th></tr> <tr><td>3 PLACE ±</td><td>±</td><td>±</td></tr> <tr><td>2 PLACE ±</td><td>±</td><td>±</td></tr> <tr><td>1 PLACE ±</td><td>± 0.20</td><td></td></tr> </table>		PLACES	(MM)	(INCH)	3 PLACE ±	±	±	2 PLACE ±	±	±	1 PLACE ±	± 0.20		TITLE 6-WAY HOUSING FOR FEMALE TERMINAL WATERPROOF 2.8-SYSTEM		SHEET NO. DATE 1 / 1 19 / 02 / 87		SIZE
		PLACES	(MM)	(INCH)																
3 PLACE ±	±	±																		
2 PLACE ±	±	±																		
1 PLACE ±	± 0.20																			
SCALE 5:1		MOLEX EUROPE		PART NO. SDA-98029		DWG NO. C														

7133-1283 13 12 11 10 9 8 7 6 5 4 3 2 1