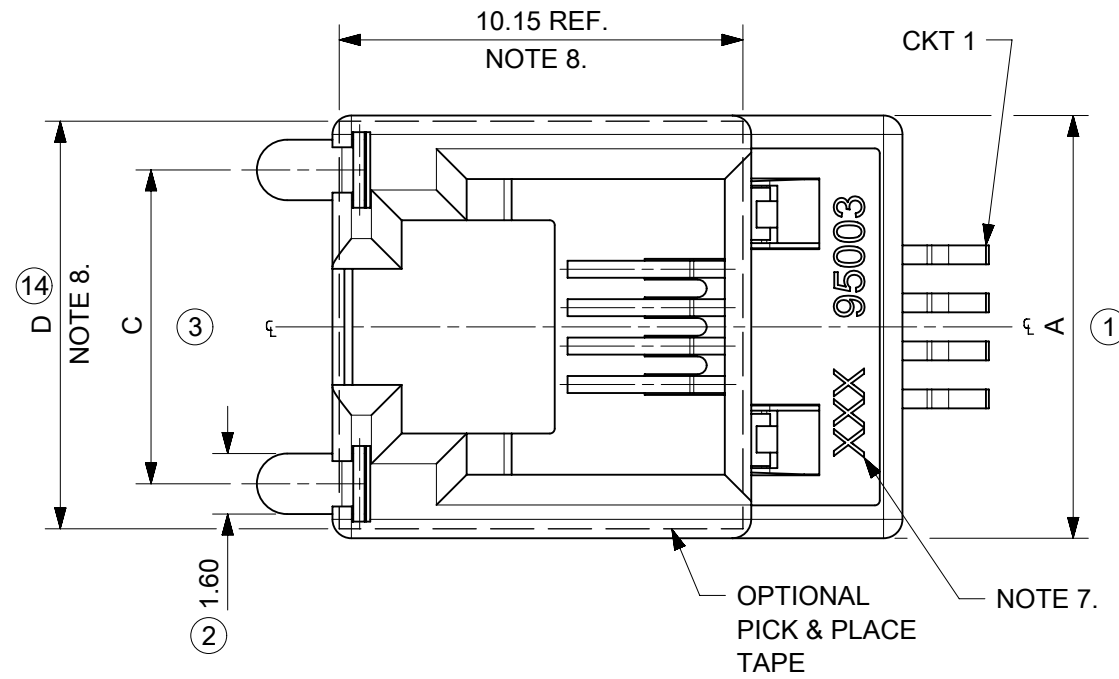


PART NO.	HOUSING SIZE	LOADED CKTS	TOOLED	PACKAGING	PICK & PLACE TAPE	A	B±0.15	C	D
85510-5020	8	8	YES	BLISTER ON REEL 13"	NO	15.24	8.89	10.77	14.40 +0.2 -0.4
85510-5120					YES				
85510-5028	8	8	YES	BLISTER ON REEL 22"	NO				
85510-5019	6	6	YES	BLISTER ON REEL 13"	NO	13.21	6.35	9.95	12.40 +0.2 -0.4
85510-5119					YES				
85510-5027	6	6	YES	BLISTER ON REEL 22"	NO				
85510-5018	6	4	YES	BLISTER ON REEL 13"	NO	13.21	3.81	9.95	12.40 +0.2 -0.4
85510-5118					YES				
85510-5017	4	4	YES	BLISTER ON REEL 13"	NO	11.18	3.81	8.40	10.40 +0.4 -0.2
85510-5117					YES				
85510-5025	4	4	YES	BLISTER ON REEL 22"	NO				



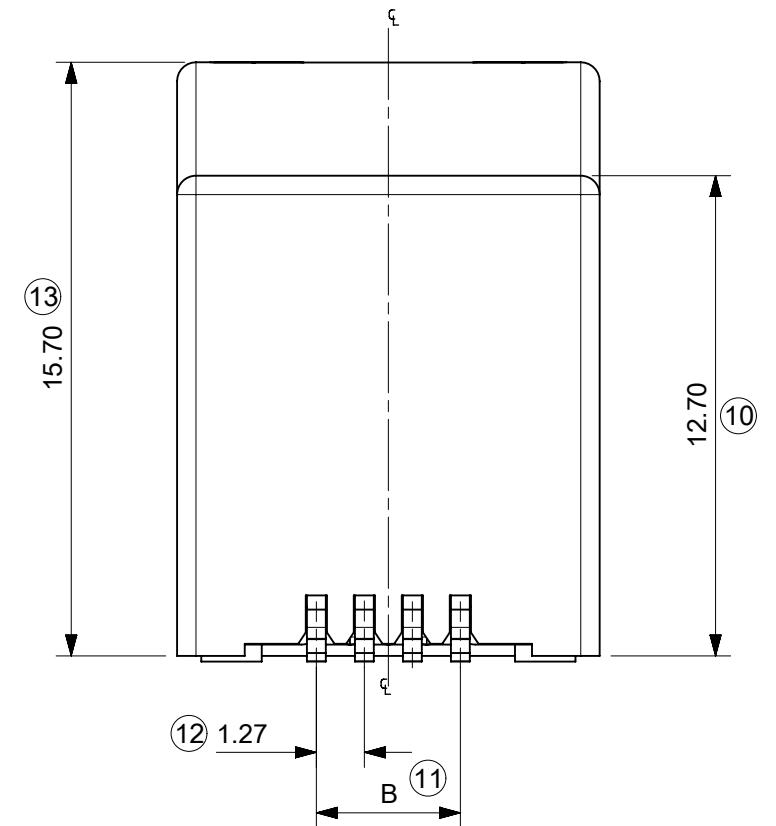
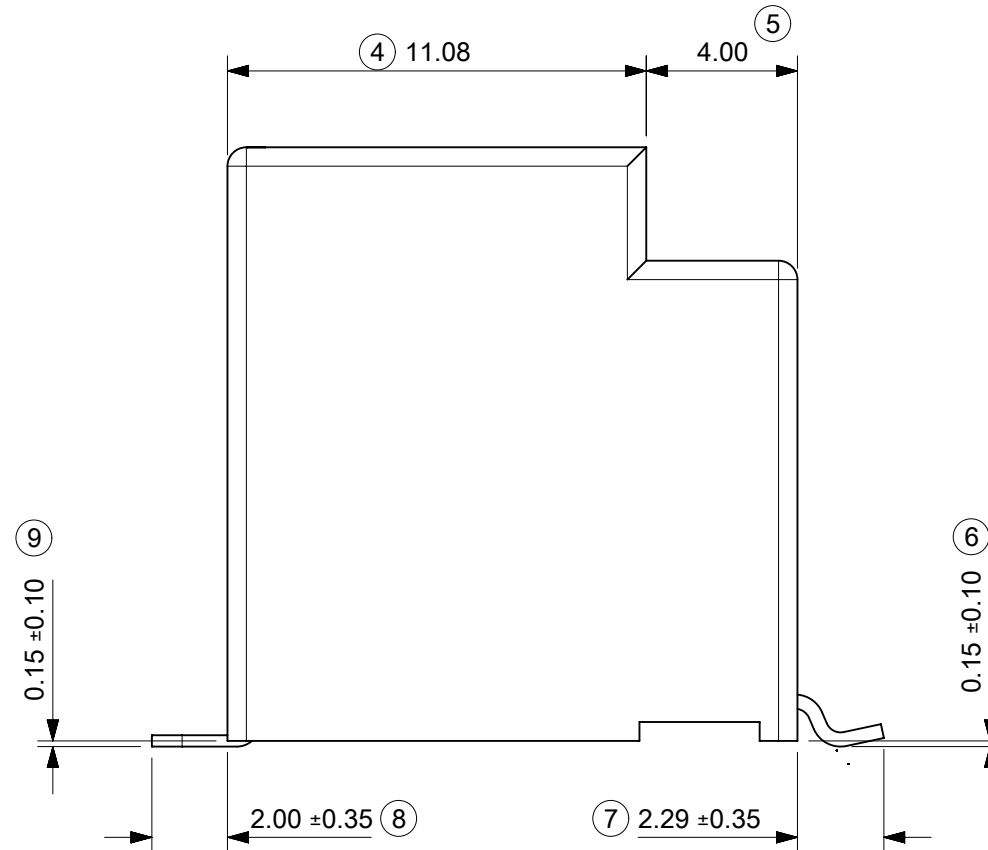
**TECHNICAL SPECIFICATIONS:**

- MATERIAL:**  
HOUSING: LCP FIBER GLASS FILLED UL 94-V0 COLOUR: BLACK  
TERMINAL: COPPER ALLOY PLATED WITH:  
BASE FINISH: NICKEL  
CONTACT SURFACE FINISH:  
GOLD  
OR  
GOLD FLASH OVER PALLADIUM NICKEL.  
EXCEEDS PRODUCT REQUIREMENTS BASED ON PS-95503-001

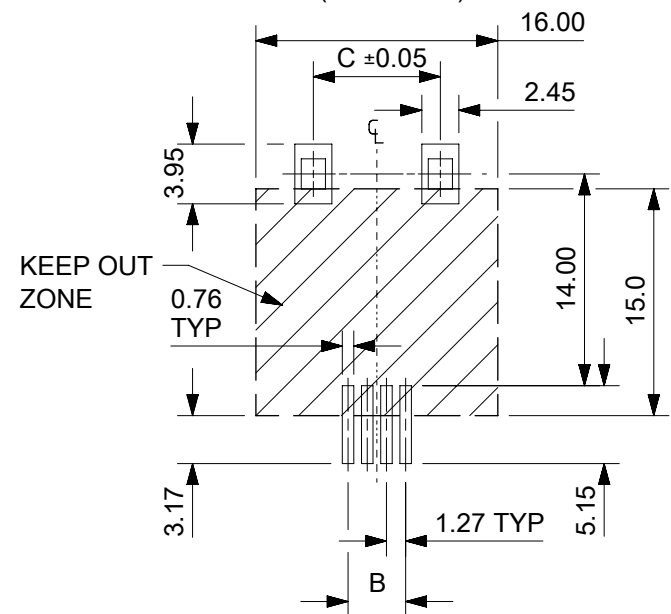
SOLDER NAILS: COPPER ALLOY PLATED WITH TIN

- JACK FOR MATING WITH IEC 60603-7 AND TIA-1096-A PLUGS (MOLEX 95075 SERIES).
- PRODUCT SPECIFICATION: MOLEX PS-95503-001
- APPLICATION SPECIFICATION: AS-85513-001
- PACKAGING SPECIFICATION: PK-85510.  
SHEET 1 (TAPE ON REEL)  
SHEET 2 (BLISTER ON REEL 13")  
SHEET 3 (BLISTER ON REEL 22")
- COPLANARITY OF SIGNAL LEADS: 0.10 MAX.
- MANUFACTURING I.D CAN BE EITHER MG, MXF, MXI OR MXCH.
- PICK AND PLACE KAPTON AVAILABLE AS OPTION.

LAST INSPECTION NO.: 15



**PCB MOUNTING PATTERNS**  
(SEE FROM COMPONENT SIDE)  
(SCALE 2:1)



(ONLY 4/4 VERSION PADS SHOWN)  
ALL DIMENSIONS REF DIMENSIONS

THIS DRAWING CONTAINS INFORMATION THAT IS PROPRIETARY TO MOLEX ELECTRONIC TECHNOLOGIES, LLC AND SHOULD NOT BE USED WITHOUT WRITTEN PERMISSION																	
DIMENSION UNITS	SCALE	CURRENT REV DESC: REMASTERED USING 3D MODELS															
mm	5:1																
GENERAL TOLERANCES (UNLESS SPECIFIED)																	
ANGULAR TOL	± 2.0°	<b>TOP ENTRY SMT JACKS</b> 4/4 6/6 AND 8/8 POS. WITH SOLDER NAILS  PRODUCT CUSTOMER DRAWING															
4 PLACES	±																
3 PLACES	±																
2 PLACES	± 0.15																
1 PLACE	± 0.25																
0 PLACES	±	<table border="0"> <tr> <td>EC NO: 686836</td> <td>2021/05/20</td> </tr> <tr> <td>DRWN: SANTHN</td> <td>2022/01/12</td> </tr> <tr> <td>CHK'D: KLANG</td> <td>2022/01/12</td> </tr> <tr> <td>APPR: KLANG</td> <td>2022/01/12</td> </tr> </table>								EC NO: 686836	2021/05/20	DRWN: SANTHN	2022/01/12	CHK'D: KLANG	2022/01/12	APPR: KLANG	2022/01/12
EC NO: 686836	2021/05/20																
DRWN: SANTHN	2022/01/12																
CHK'D: KLANG	2022/01/12																
APPR: KLANG	2022/01/12																
INITIAL REVISION:		DOCUMENT NUMBER		DOC TYPE		DOC PART		REVISION									
DRWN: DBYRNES		SD-85510-002		PSD		001		F2									
APPR: EOMAHONY		SERIES		MATERIAL NUMBER		CUSTOMER		SHEET NUMBER									
DRAFT WHERE APPLICABLE MUST REMAIN WITHIN DIMENSIONS		THIRD ANGLE PROJECTION		DRAWING		SERIES		MATERIAL NUMBER									
		A3-SIZE		85510		GENERAL MARKET		1 OF 1									