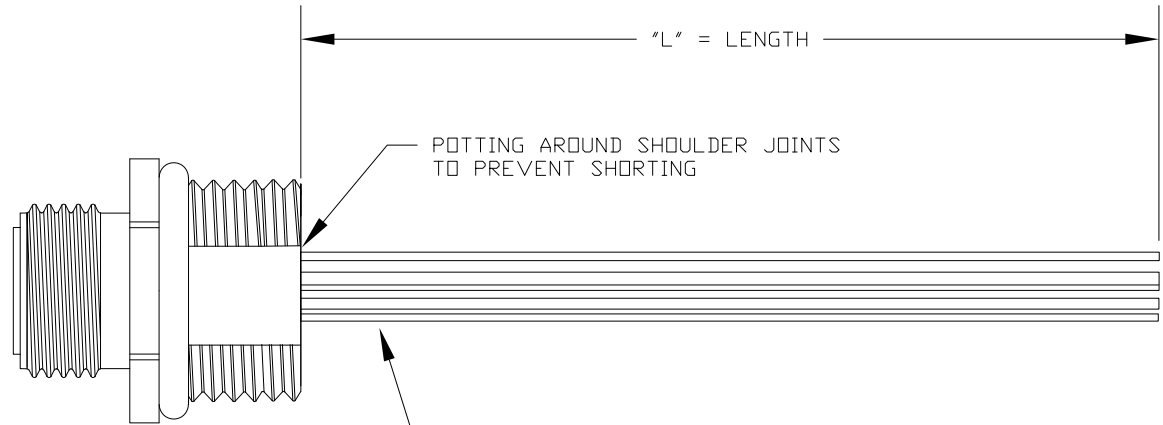
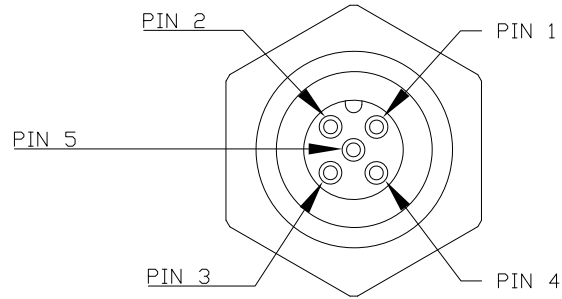


DESCRIPTION: M12 5 POSITION STAINLESS STEEL MALE PIGTAIL



POTTING AROUND SHOULDER JOINTS TO PREVENT SHORTING

CONNECTOR: 859S005-10SR0M4

24 AWG (7X32) HOOKUP WIRE, UL 1007
(COLORS AS STATED IN SCHEMATIC BELOW)

**SEE PAGE 2 FOR DETAILS

WIRING SCHEMATIC

1	2
PIN	PIN
1 = BROWN	1 = RED
2 = WHITE	2 = GREEN
3 = BLUE	3 = BLACK
4 = BLACK	4 = WHITE
5 = GREY	5 = GREY

MPM12A05IYYDF0Y
 INCHES ——— |
 |
 | 01 = WIRING SCHEMATIC 1
 | 02 = WIRING SCHEMATIC 2
 |
 | LENGTH
 | EX: 06 = 6 INCHES
 | 12 = 12 INCHES

NOTE: PACKAGED 10 PER BAG

RoHS COMPLIANT

UNITS IN INCHES [MM] DO NOT SCALE FROM DRAWING



THESE DRAWINGS AND SPECIFICATIONS ARE THE PROPERTY OF NorComp AND SHALL NOT BE REPRODUCED, COPIED OR USED AS THE BASIS FOR THE MANUFACTURE OR SALE OF APPARATUS WITHOUT WRITTEN PERMISSION.

DRAWN:
G. BROWN
DATE:
01/23/2019

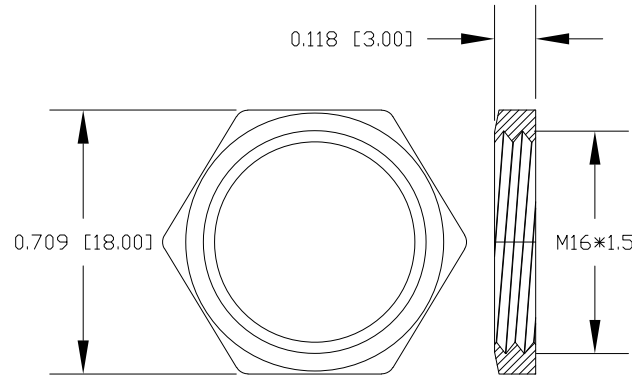
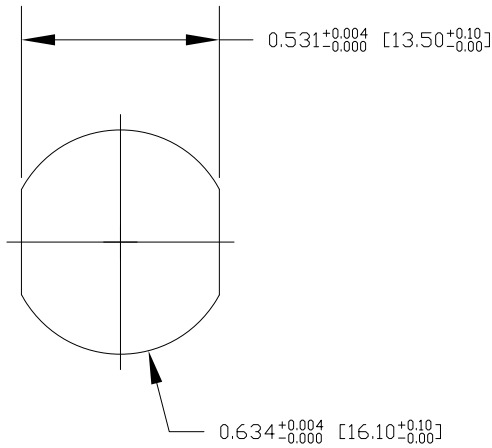
NorComp

SCALE: NTS	SHEET 1	OF 2	REV 2
DWG NO.		MPM12A05IYYDF0Y	

DESCRIPTION: M12 5 POSITION STAINLESS STEEL MALE PIGTAIL

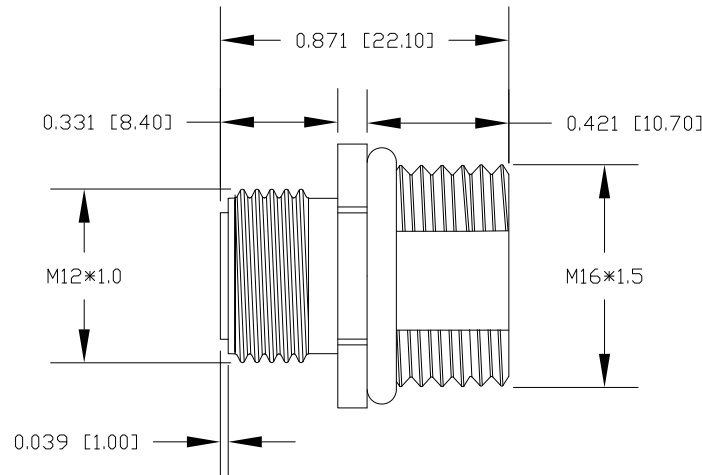
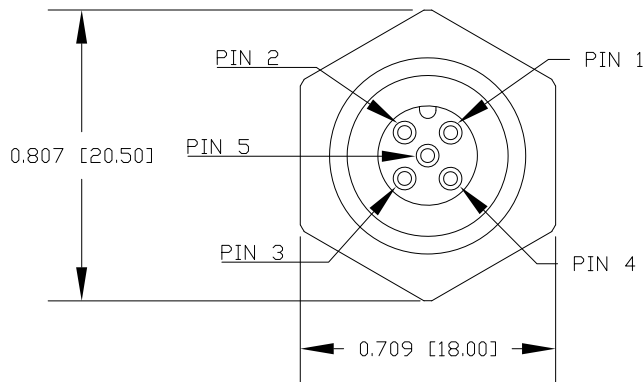
NOTE:

MATERIAL	
HOUSING:	PBT UL94V-0, BLACK
CONTACT:	BRASS
NUT:	STAINLESS STEEL 316
SHELL:	STAINLESS STEEL 316
O-RING:	EPDM, BLACK
FINISH	
CONTACT:	GOLD PLATED 10μ" Min.
UNDER PLATE:	NICKEL
ELECTRICAL	
RATED CURRENT:	4A
RATED VOLTAGE:	60V
INSULATION RESISTANCE:	100MΩ MIN
CONTACT RESISTANCE:	10mΩ MAX
WATER PROOF:	IP67/68
ENVIRONMENT	
OPERATION TEMPERATURE:	-40°C ~ +85°C



NUT

RECOMMENDED PANEL CUT-OUT



RoHS COMPLIANT

UNITS IN INCHES [MM] DO NOT SCALE FROM DRAWING



THESE DRAWINGS AND SPECIFICATIONS ARE THE PROPERTY OF NorComp AND SHALL NOT BE REPRODUCED, COPIED OR USED AS THE BASIS FOR THE MANUFACTURE OR SALE OF APPARATUS WITHOUT WRITTEN PERMISSION.

DRAWN:
G. BROWN
DATE:
01/23/2019

NorComp

SCALE: NTS	SHEET 2	OF 2	REV 2
DWG NO.		MPM12A05IYYDF0Y	