

AHK LATCH KIT

ASSEMBLY FOR AHK2 AND AHKL2 LATCH KIT

BUL10169

REV. C

ASSEMBLY INSTRUCTIONS

(A) MEASURE, MARK AND DRILL THE DOOR (SEE DRILLING DETAIL), DRILL FOUR .281(7.1mm) HOLES AND ONE .938 (23.9mm), SEE THE DRILLING DETAIL OF THE

TOP VIEW OF THE DOOR BELOW.

(B) MOUNT THE HANDLE USING 10-32 SCREW AND #10 FLAT WASHERS. IF THE DOOR THICKNESS IS 12 GA. OR HEAVIER, DISCARD #10 FLAT WASHER. WIND

3/8-16 NUT TO THE BOTTOM OF THE THREADED SHAFT.

(C) SLIP CAM OVER THE SHAFT, PINS FACING UP AND LATCH FACING OUT 90 DEGREES TO THE HANDLE.

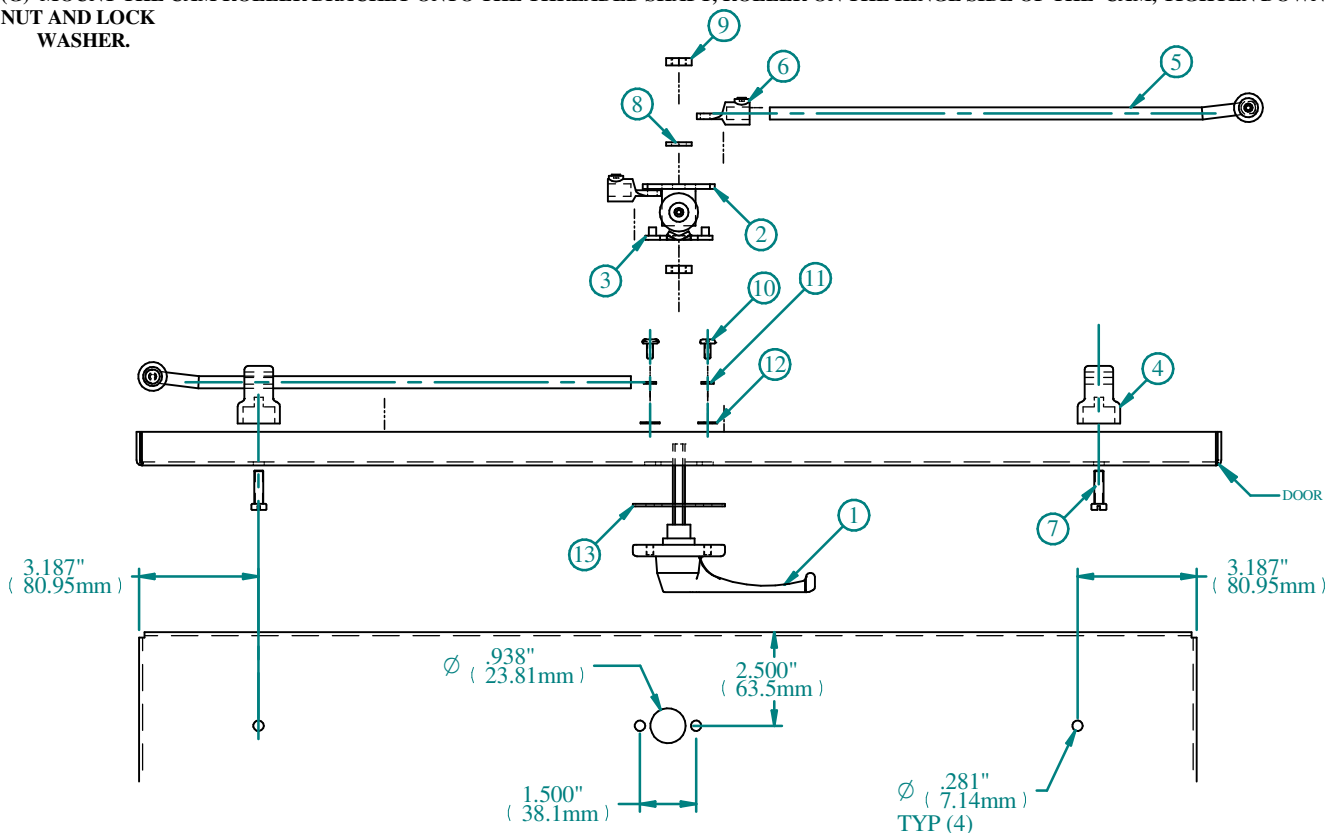
(D) MOUNT THE LOCK ROD GUIDES USING M6-22 SCREWS.

(E) CUT LOCK RODS TO THE DESIRED LENGTH AND SLIDE THROUGH GUIDES, SEE NOTE: 1.

(F) FASTEN THE LOCK ROD ADAPTORS ONTO THE ENDS OF THE RODS USING SET SCREWS AND DROP OVER PINS ON CAM. CHECK THAT THE ROLLERS ON THE

LOCK RODS ARE PERPENDICULAR TO THE DOOR AND KINKED UPWARDS.

(G) MOUNT THE CAM ROLLER BRACKET ONTO THE THREADED SHAFT, ROLLER ON THE HINGE SIDE OF THE CAM, TIGHTEN DOWN WITH A 3/8-16 NUT AND LOCK WASHER.



PART #	QTY.	DESCRIPTION
1	1	L HANDLE (LOCKING OR NON LOCKING)
2	1	ROLLER BRACKET
3	1	MODIFIED CAM
4	2	ROLLER LOCK ROD
5	2	GUIDE ROD POLYAMIDE
6	2	ROD ADAPTOR ZINC DIE CAST
7	2	SCREW M6-1X22 CHS SL ZPL
8	1	WASHER M10, 3/8 SPLIT, SP LOCK
9	2	NUT M10-D-936 HEX JAM ZP
10	2	SCREW M4X10mm SL PAN ZP
11	2	WASHER #10 LOCK ZP
12	2	WASHER FLAT #10 ZP SAE
13	1	GSK. ROGERS 1/16

DRILLING DETAIL TOP VIEW

NOTE: 1
 LOCKRODS ARE SUPPLIED TO SUIT 48" HIGH ENCLOSURES.
 FOR ENCLOSURES LESS THAN 48", CUT OFF THE END OF EACH ROD 1/2 THE DIFFERENCE IN HEIGHT.
 e.g. ENCLOSURE IS 42" HIGH 48-42=6, 6/2=3 THEN 3" WOULD BE CUT OFF EACH LOCKROD.



TOOL BOX 							
---------------------	--	--	--	--	--	--	--