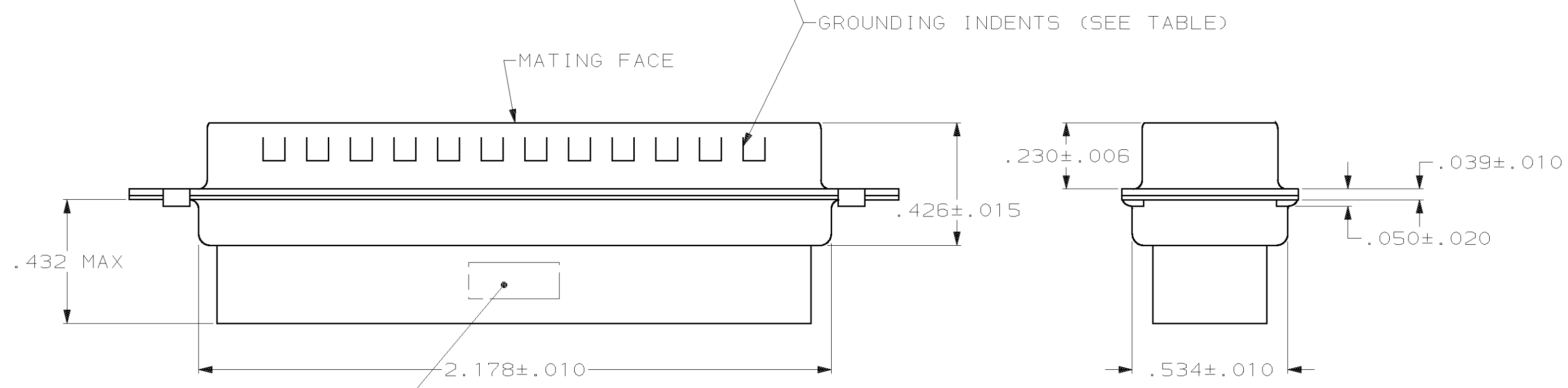
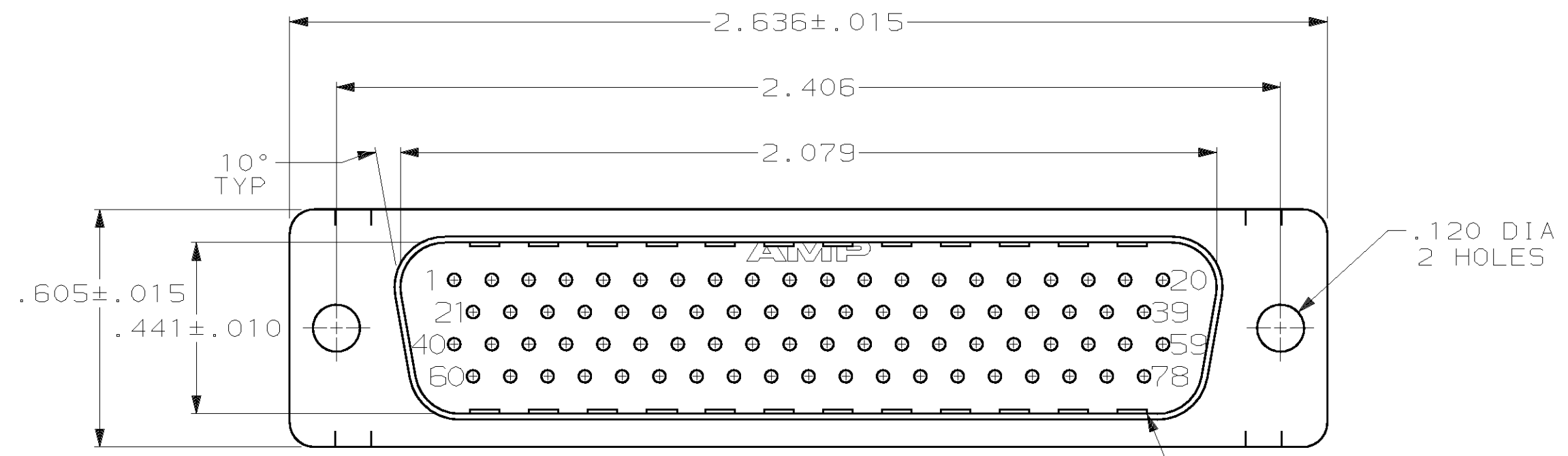


THIS DRAWING IS UNPUBLISHED. RELEASED FOR PUBLICATION, 19 .
 © COPYRIGHT 19 BY AMP INCORPORATED. ALL INTERNATIONAL RIGHTS RESERVED.

M	LOC	DIST	REVISIONS			
P	F	ZONE	LTR	DESCRIPTION	DATE	APPD
19	BD	39		REL WAS 86-4870-3	-	-
			A	ADDED -2 PER NPR 2395	05/08/89	-
			B	REV PER EC 0U1D-0226-00	30AUG01	



AMP, PART NO & DATE CODE, MARKED IN AREA INDICATED, ON FAR SIDE

SUPERSEDED BY 748368-1	NO	748368-2
	YES	748368-1
	GROUNDING INDENTS	PART NO

- CONNECTOR ACCEPTS SIZE 22 DF PIN CONTACTS, RETENTION TINES ARE AN INTEGRAL PART OF INSERT.
- FLAME RETARDANT 94V-0 RATED GLASS FILLED NYLON, COLOR: BLACK.
- STEEL PER ASTM A109.
- TIN PLATED PER MIL-T-10727.

DO NOT SCALE PRINT. UNLESS SPECIFIED DIMENSIONS IN INCHES TOLERANCES ON : 2 PLC DEC ± - 3 PLC DEC ± .005 ANGLES ± 2°	DR 3-27-87 C.RICHARD CHK 3-31-87 S.WELDON APPD 4-2-87 L.BREKOSKY APPD 4-2-87 V.KUMAR	AMP INCORPORATED Harrisburg, Pa. 17105	
MATERIAL MOLDED PARTS: SHELLS:	PRODUCT SPEC	NAME PLUG CONNECTOR, SIZE 5, 78 POSN, AMPLIMITE®HDP-22	
FINISH SHELLS:	APPLICATION SPEC	SIZE C	FSCM NO 00779
	WEIGHT	SCALE 3:1	DRAWING NO 748368
			SHEET 1 OF 1