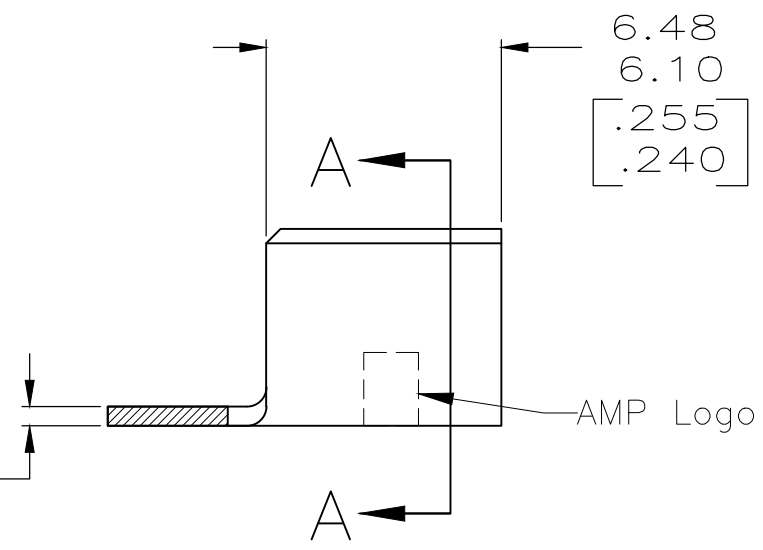
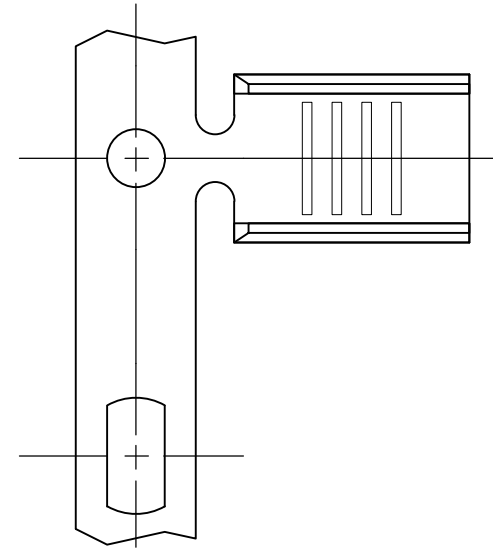
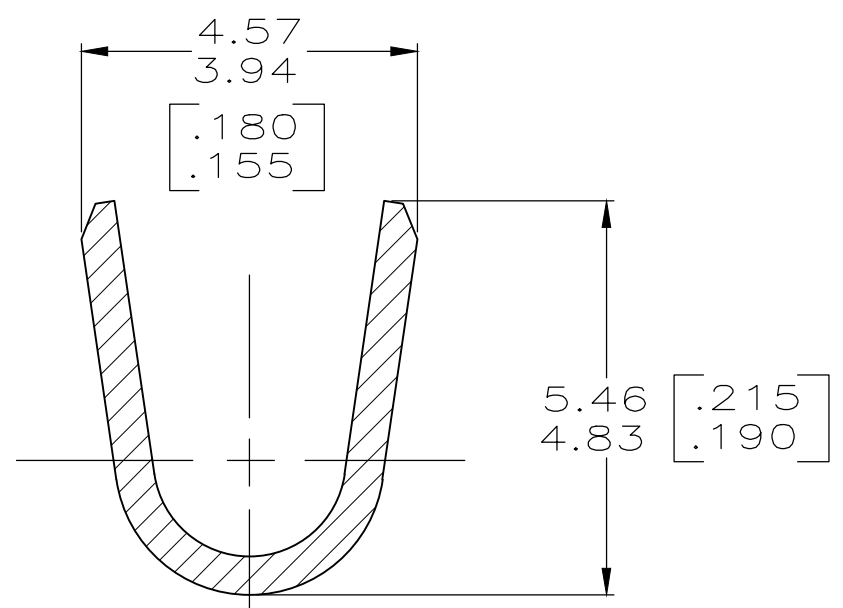


THIS DRAWING IS UNPUBLISHED. RELEASED FOR PUBLICATION  
 © COPYRIGHT - By - ALL RIGHTS RESERVED.

LOC	DIST	REVISIONS						
		P	LTR	DESCRIPTION	DATE	DWN	APVD	
AF	50		P3	REVISED PER	ECR-20-005648	19MAY20	LZ	EW



0.508±0.025  
 [.020±.001]



SECTION A-A  
 SCALE 10:1

- 1 PRODUCT PROVIDED IN STRIP FORM ON REELS; BREAKS MAY BE PRESENT
- 2 SPLICE FREE REELING
- 3 WIRE RANGE FOR NEW APPLICATIONS: 4000-9000 CMA (WIRE RANGE APPROVED FOR APPLICATIONS IMPLEMENTED PRIOR TO 2005: 3000-8400 CMA).
- 4 CRIMP WIDTH = .140 F TYPE  
 CRIMP HEIGHT (±.002) = (TOTAL CMA + 14,400) / 223,100.
- 5 PRODUCT LUBRICANT APPLICATOR AVAILABLE FOR TE CONNECTIVITY TERMINATION EQUIPMENT MAY BE REQUIRED TO FACILITATE CRIMPING
- 6 PRELIMINARY - NOT FOR PRODUCTION.

FINISH	MATERIAL	WIRE RANGE	PART NO.
TIN	H00 COPPER		485043-7
	-		-
	-		-
NICKEL	T3 STEEL		485043-4
OBSOLETE	-TIN- T3 STEEL-		485043-3
TIN	H04 BRASS		485043-2
2	- H04 BRASS		485043-1

THIS DRAWING IS A CONTROLLED DOCUMENT.		DWN 11/MAY/95 PHILLIP M FORTNEY	<b>STE</b> TE Connectivity		
DIMENSIONS: INCHES		CHK 11/MAY/95 JEFF R RUTH			
TOLERANCES UNLESS OTHERWISE SPECIFIED:		APVD 11/MAY/95 MARK BARNABA	NAME		
0 PLC ± -		PRODUCT SPEC	SPLICE		
1 PLC ± -		108-106466	SIZE		
2 PLC ± 0.25 [.010]		APPLICATION SPEC	CAGE CODE		
3 PLC ± -		114-2088	DRAWING NO		
4 PLC ± -		WEIGHT	RESTRICTED TO		
ANGLES ± -		-	A3 00779 C-485043		
MATERIAL	FINISH	CUSTOMER DRAWING			
SEE TABLE	SEE TABLE	SCALE 5:1	SHEET 1 OF 1	REV P3	