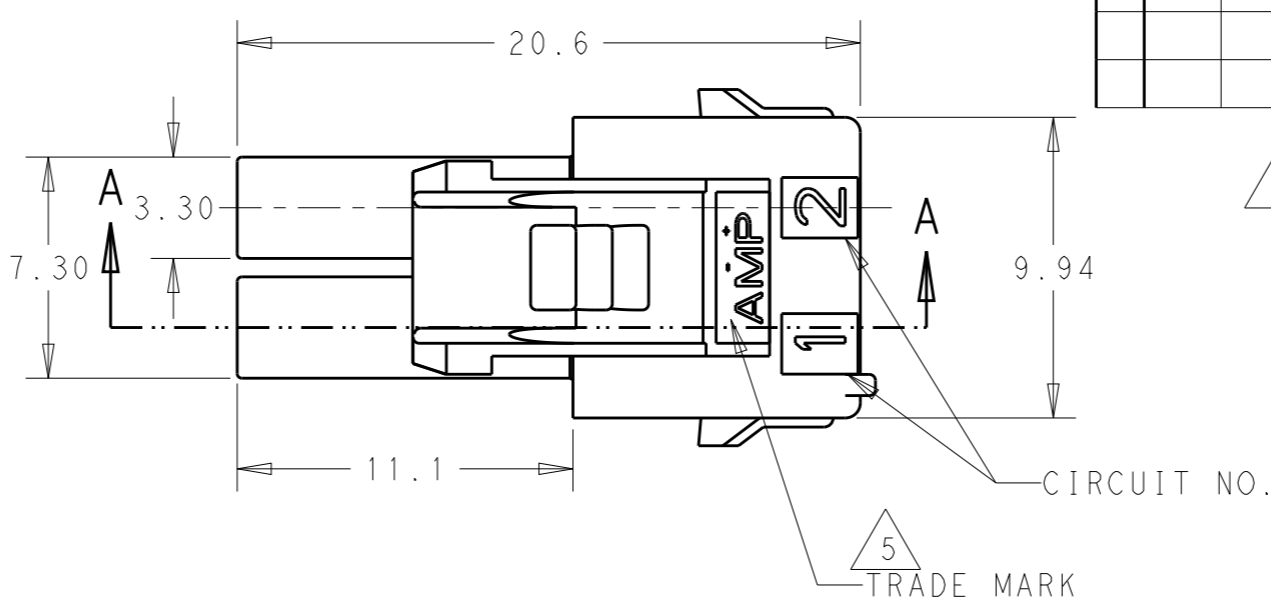


THIS DRAWING IS UNPUBLISHED. RELEASED FOR PUBLICATION 20  
© COPYRIGHT 20 BY - ALL RIGHTS RESERVED.

REVISIONS

P	LTR	DESCRIPTION	DATE	DWN	APVD
E4		REVISED PER ECR ECR-19-017851	28NOV2019	SM	DZ
E5		REVISED PRE ECR-20-100583	19OCT2020	M.G	D.Z

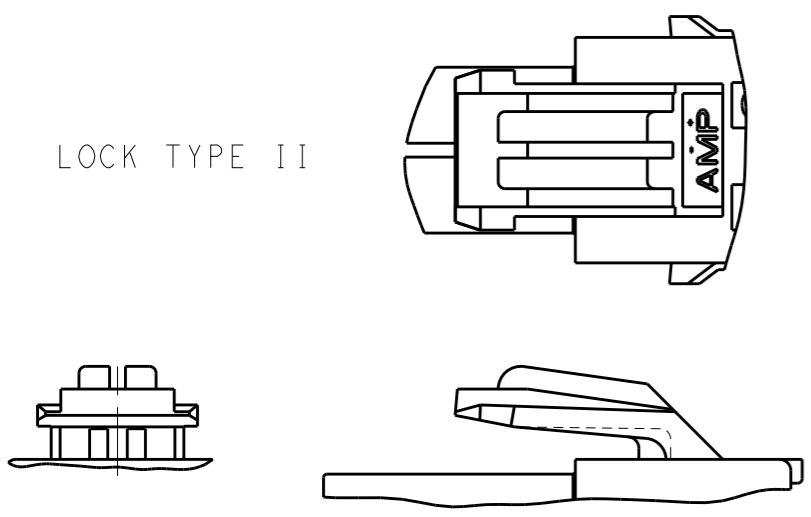
AS SHOWN LOCK TYPE I



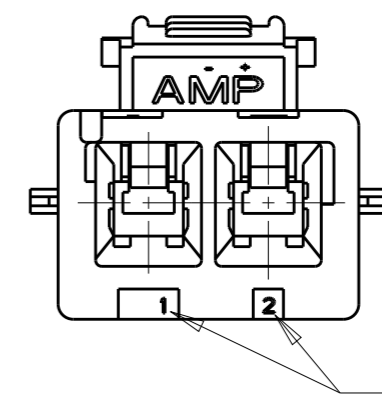
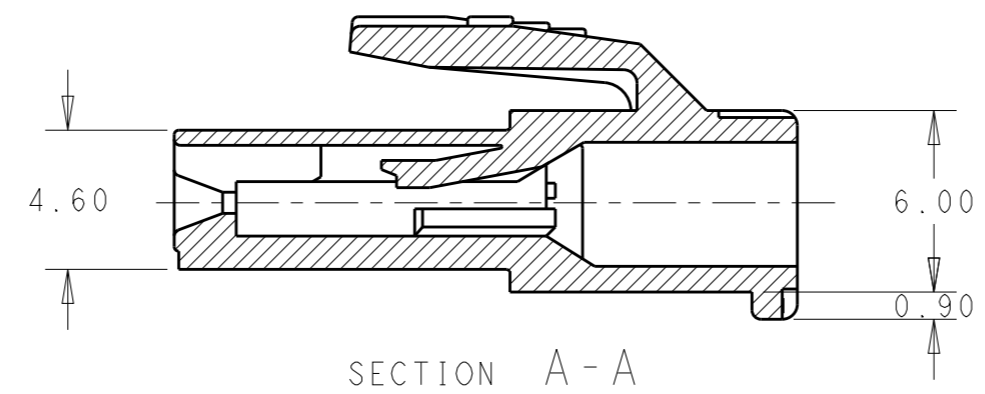
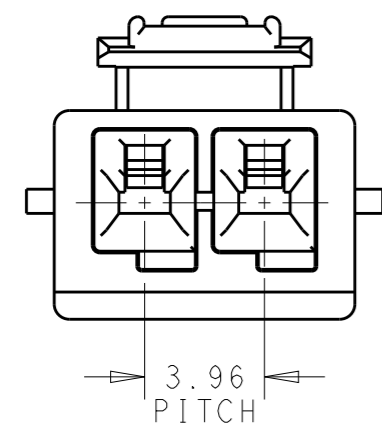
5 TABLE 1

TRADE MARK	MANUFACTURING LOCATION
- AMP OR AMP	JAPAN
- +AMP OR AMP	CHINA (PRC)
- AMP OR AMP	KOREA

LOCK TYPE II



SCALE 3:1



NOTES:

- 1 APPLICABLE CONTACT P/N  
REC CONTACT : 177915-□ (#20-#16 AWG)  
177914-□ (#26-#22 AWG)
- 2 MATING CONN. P/N  
CAP HSG : 177906-□ (PANEL MOUNT)  
TAB CONTACT : 177917-□ (#20-#16 AWG)  
177916-□ (#26-#22 AWG)

7 PART 5-177898-1 COMPLY WITH GLOW WIRE REQUIREMENT FOR PARTS OF NON-METALLIC MATERIAL SUPPORTING A CURRENT-CARRYING CONNECTION DETAILED IN IEC 60335-1, SECTION 30 (GWT)

- 3 APPLICABLE PLATE P/N : 177918-□
- 4 INSTRUCTION SHEET : 411-5638
- 5 SEE TABLE 1
- 6 ALL PARTS MEET RTI ELECTRICAL RATING OF 105C ACCORDING TO UL1977.

LOCK TYPE II	NATURAL	2	3-177898-1
LOCK TYPE I	NATURAL	2	5-177898-1
	BLACK	2	177898-9
	BLUE	2	177898-6
	GREEN	2	177898-5
	YELLOW	2	177898-4
	RED	2	177898-2
NATURAL	2	177898-1	
LOCK TYPE	HOUSING COLOR	POS	PART NUMBER

THIS DRAWING IS A CONTROLLED DOCUMENT.		DWN M. SUZUKI 09SEP1993	TE Connectivity		
DIMENSIONS: mm		CHK M. SHINDO 09SEP1993			
TOLERANCES UNLESS OTHERWISE SPECIFIED:		APVD Y. KASHIWA 09SEP1993			
0 PLC ± 1 PLC ±0.25 2 PLC ±0.20 3 PLC ± 4 PLC ± ANGLES ±3°		PRODUCT SPEC 108-5410			
MATERIAL 6/6 NYLON (UL 94V-0)		FINISH -	APPLICATION SPEC 114-5175	NAME AMP POWER DBL LOCK CONN, 3.96mm PITCH 2 Pos PLUG HOUSING (SGL ROW)	
			WEIGHT -	SIZE A3	CAGE CODE 00779
			CUSTOMER DRAWING	DRAWING NO C-177898	RESTRICTED TO
				SCALE 5:1	SHEET 1 OF 1
					REV E5