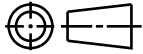
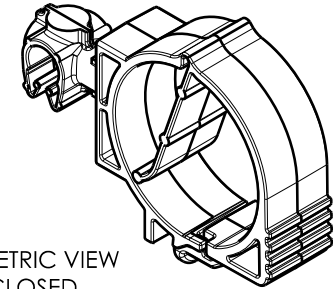
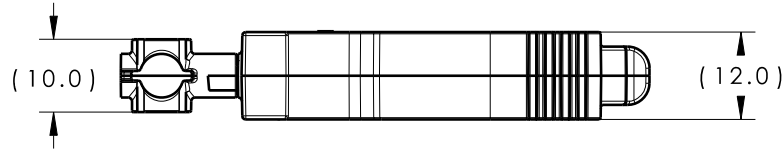


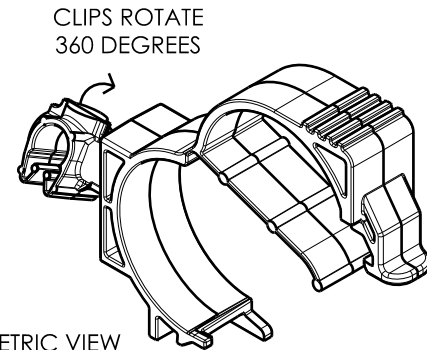
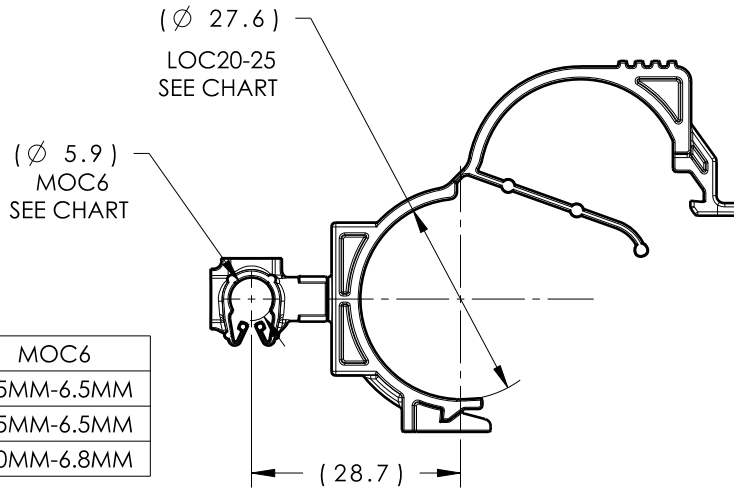
CATIA V5



Revision Level			Revision Record	Changed	Date	Approved	Date
Drawing	State	Part					
00.0	Design Release	-	SEE ECN# 014970	JMC	03/22/19	EJH	03/22/19



ISOMETRIC VIEW  
CLOSED



ISOMETRIC VIEW  
OPEN

TYPE	MOC6
HARNESS	5.5MM-6.5MM
HOSE	5.5MM-6.5MM
HARD PIPE /TUBE	6.0MM-6.8MM

\*RECOMMENDED SIZES MAY DIFFER DEPENDING ON THE APPLICATION, PRODUCT, REQUIRMENTS AND MATERIALS USED

\*\*PATENT PENDING 29/582,271

GLOBAL PART DESCRIPTION	MOC6**			LOC20-25		
	DRAWING	MATERIAL	COLOR	DRAWING	MATERIAL	COLOR
MOC6FLOC20-25-PA66HIRHSUV-BK	16-0314-001-CSU	PA66HIRHSUV	BLACK	12-0631-051-CSU	PA66HIRHSUV	BLACK

Material SEE CHART COLOR: SEE CHART	Units <b>millimeters</b>	The copyright of this drawing is reserved by HellermannTyton. It is issued on condition that it is not reproduced, copied or disclosed to a third party, either wholly or in part, without the consent of HellermannTyton.	Drawn	JMC	03/22/19	Article/Type-No	MOC6FLOC20-25	Scale	1:1			
	Tolerance defined on each dimension		Approved	EJH	03/22/19	Title	6MM MOC COUPLED TO 20-25MM LOC	Project Number	16-0327			
			<b>HellermannTyton</b>						Drawing-No	PRODUCTION : Phase	Format	AH
			North America Email: corp@htamericas.com Web: www.hellermann.tyton.com						<b>16-0327-064-CSU</b>	Sheet	1/1	