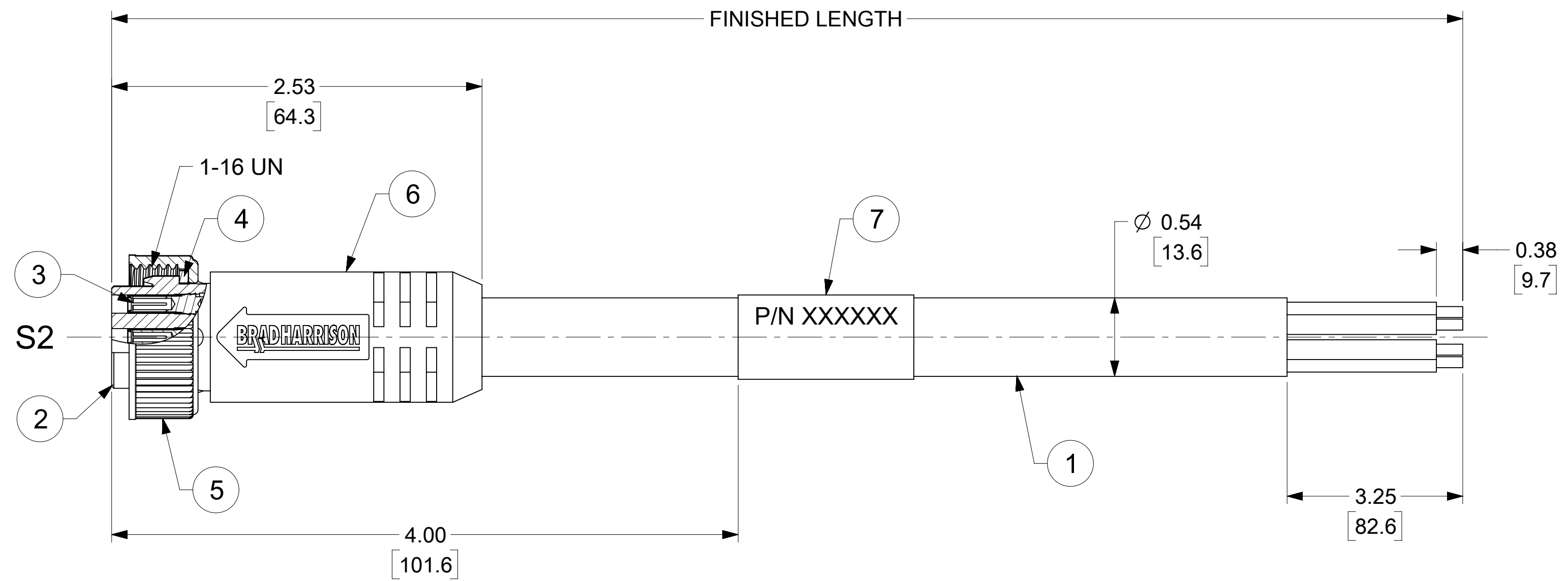
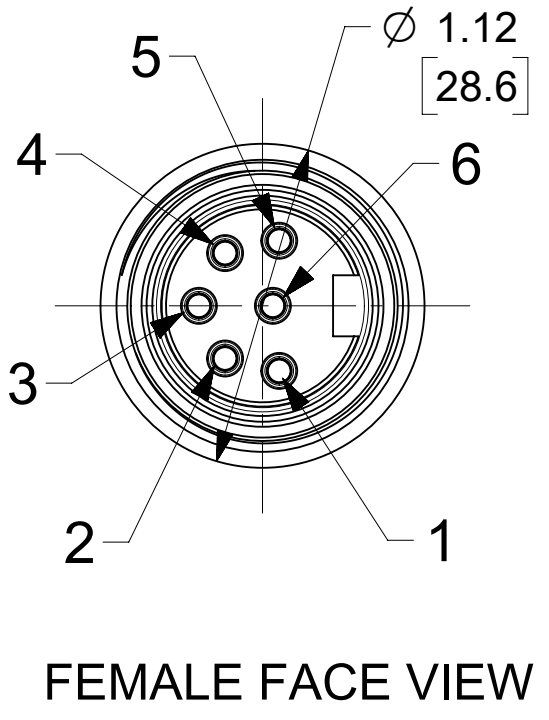
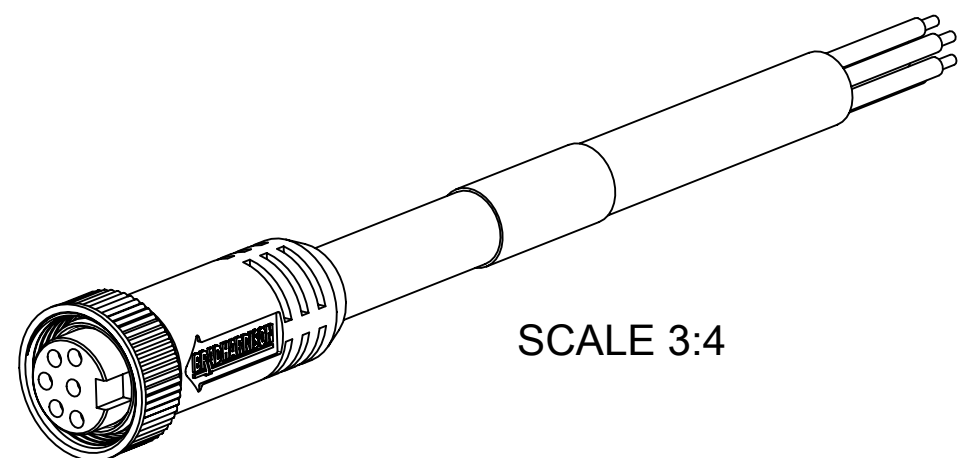


| MATERIAL NO. | ENGINEERING NO. | FINISHED LENGTH  |
|--------------|-----------------|------------------|
| 1300070022   | 206000A01F030   | 3 FT. (0.91 M)   |
| 1300070035   | 206000A01F450   | 45 FT. (13.71 M) |
| 1300070441   | 206000A01F800   | 80 FT. (24.38 M) |

**CABLE LENGTH TOLERANCES**  
 <.3M [1FT]: +19mm-0 [ +.75in-0]  
 .3 - .9M [1 - 3FT]: +44.5mm-0 [+1.75in-0]  
 .9 - 1.8M [3 - 6FT]: +55.6mm-0 [+2.19in-0]  
 1.8 - 3.7M [6 - 12FT]: +88.9mm-0 [+3.50in-0]  
 3.7 - 7.3M [12 - 24FT]: +165.1mm-0 [+6.50in-0]  
 7.3-14.6M [24 - 48FT]: +317.5mm-0 [+12.50in-0]  
 14.6 - 30.5M [48-100FT]: +622.3mm-0 [+24.50in-0]  
 OVER 30M [100FT] +2% OF FINISHED LENGTH



- NOTES:**
- MATERIAL: AS NOTED
  - FINISH: AS NOTED
  - ELECTRICAL:  
 VOLTAGE: 400V PER IEC60664 (B)  
 600V PER UL2238  
 CURRENT: 8A
  - TEMP RATING: -20°C TO +105°C (B)
  - PROTECTION: IP67 (WHEN MATED)
  - CSA CERTIFIED FILE: LR6837 (B)
  - UL RECOGNIZED FILE: E152210 (B)
  - ALL DIMS ARE FOR REFERENCE UNLESS TOLERANCED OR NOTED OTHERWISE

**WIRING DIAGRAM**

| S2 | Color        |
|----|--------------|
| 1  | ORANGE       |
| 2  | BLUE         |
| 3  | BLACK        |
| 4  | WHITE        |
| 5  | RED          |
| 6  | GREEN/YELLOW |

**PART NUMBER LEGEND (B)**

206000A01F060

FINISHED LENGTH  
 F001= .1 FT  
 F020= 2 FT  
 F200= 20 FT

| ITEM | DESCRIPTION           | MATERIAL      | FINISH           |
|------|-----------------------|---------------|------------------|
| 7    | WRAP LABEL            | VINYL         | BLACK/YELLOW     |
| 6    | OVERMOLD              | TPE           | YELLOW           |
| 5    | COUPLING NUT          | ZINC DIE CAST | BLACK E-COAT     |
| 4    | FRICTION RING         | NYLON         | WHITE            |
| 3    | SOCKET CONTACT        | Cu ALLOY      | GOLD OVER NICKEL |
| 2    | FEMALE INSERT         | TPE           | YELLOW           |
| 1    | CABLE, 16-6, STOOV/ST | PVC JACKET    | YELLOW           |
| ITEM | DESCRIPTION           | MATERIAL      | FINISH           |

|  |   |   |       |                        |   |                           |                           |                |  |                                |  |
|--|---|---|-------|------------------------|---|---------------------------|---------------------------|----------------|--|--------------------------------|--|
| FUNCTIONAL SYMBOLS                                   | THIS DRAWING CONTAINS INFORMATION THAT IS PROPRIETARY TO MOLEX ELECTRONIC TECHNOLOGIES, LLC AND SHOULD NOT BE USED WITHOUT WRITTEN PERMISSION |   |       |                        |   |                           |                           |                |  |                                |  |
|  | DIMENSION UNITS   |   | SCALE |                        | CURRENT REV DESC: ITEM 2,6 WERE PVC & 7 WAS PLASTIC FILM, 3 & 4 REDUCED TO 1. ADDED CSA, IEC VOLT, TEMP & IP RATING, TOL. CHART & P/N LEGEND. MODIFIED P/N TABLE. |                           |                           |                |  |                                |  |
|  | INCH/MM   |   | 1.5:1 |                        | EC NO: 709714   |                           |                           |                |  |                                |  |
|  | GENERAL TOLERANCES (UNLESS SPECIFIED)   |   |       |                        |   |                           |                           |                |  |                                |  |
| DIVISIONAL SYMBOLS                                   | 4 PLACES  |   | ±     |                        | ±   |                           | DRWN: VHANDI 2021/06/02   |                |  |                                |  |
|  | 3 PLACES  |   | ±     |                        | ±   |                           | CHK'D: RSTONE 2022/06/08  |                |  |                                |  |
|  | 2 PLACES  |   | ±     |                        | ±   |                           | APPR: BWOODMAN 2022/06/14 |                |  |                                |  |
|  | 1 PLACE   |   | ±     |                        | ±   |                           | INITIAL REVISION:         |                |  |                                |  |
| 0 PLACES   |   | ± |       | ±                      |   | DRWN: RSTONE 2009/04/03   |                           |                |  |                                |  |
| ANGULAR TOL  |   | ± |       | °                      |   | APPR: JFMURPHY 2009/04/08 |                           |                |  |                                |  |
| DRAFT WHERE APPLICABLE MUST REMAIN WITHIN DIMENSIONS |   |   |       | THIRD ANGLE PROJECTION |   | DRAWING                   |                           | SERIES         |  | DOCUMENT NUMBER                |  |
|  |   |   |       | C-SIZE                 |   | 130007                    |                           | SD-130007-001  |  | DOC TYPE   DOC PART   REVISION |  |
|  |   |   |       |                        |   |                           |                           | SEE TABLE      |  | PSD 001 B                      |  |
|  |   |   |       |                        |   |                           |                           | GENERAL MARKET |  | SHEET NUMBER                   |  |
|  |   |   |       |                        |   |                           |                           | 1 OF 1         |  |                                |  |