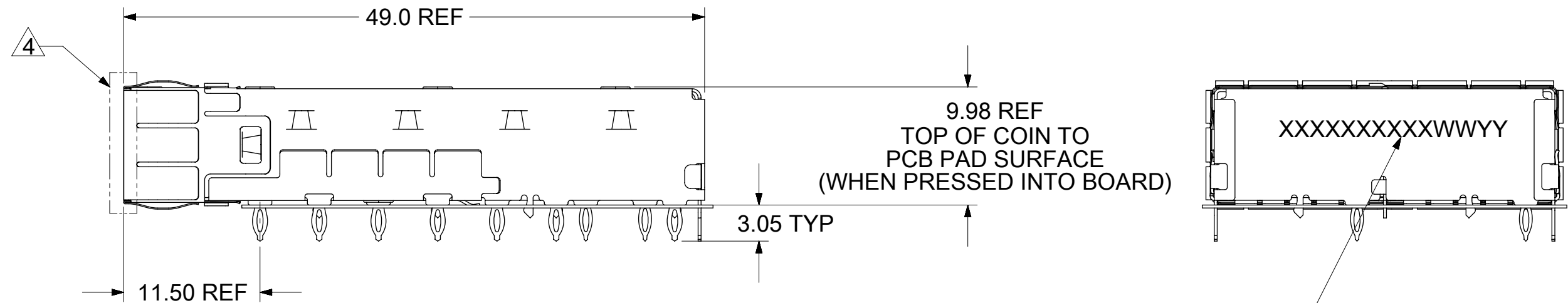
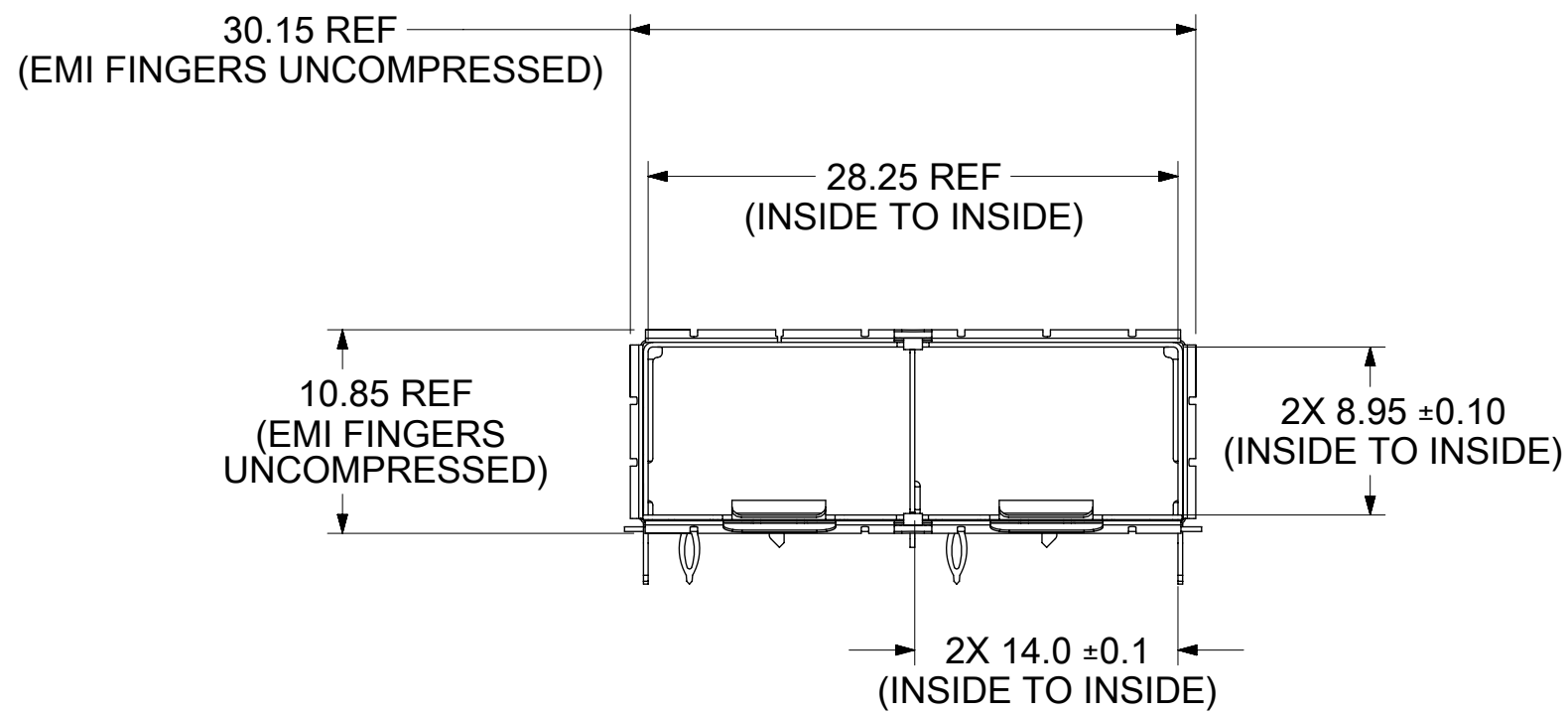
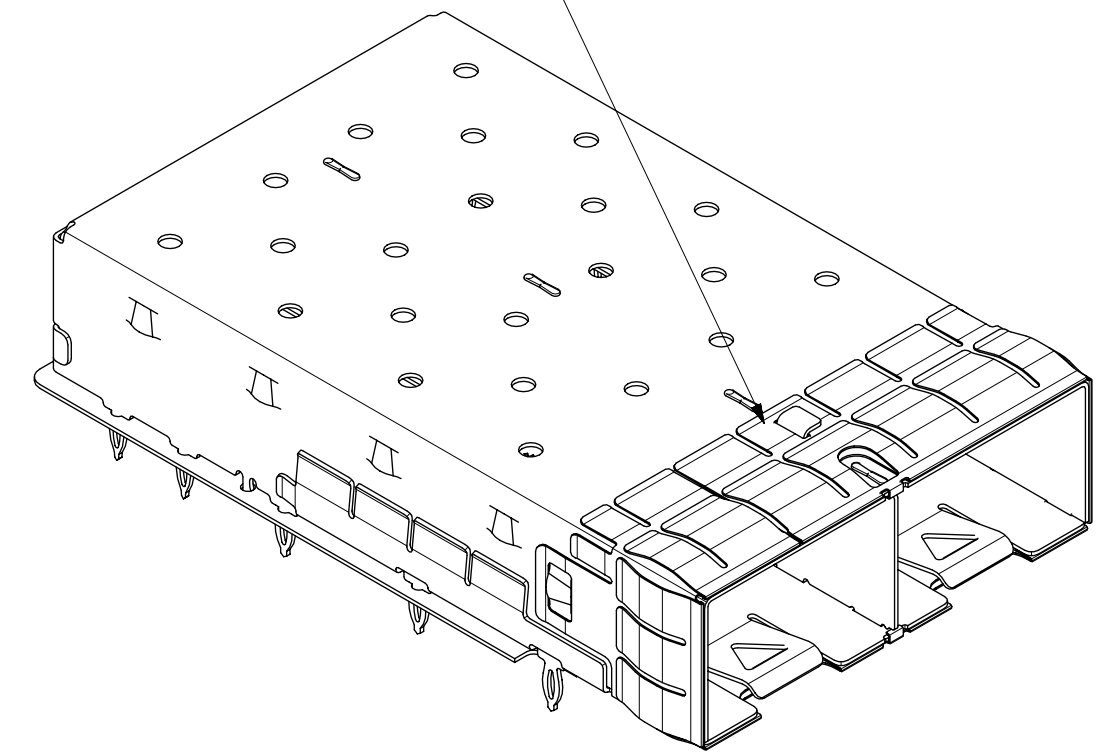


INNER WALL IS COINED OVER BASE AND COVER FOR EXTRA RIGIDITY



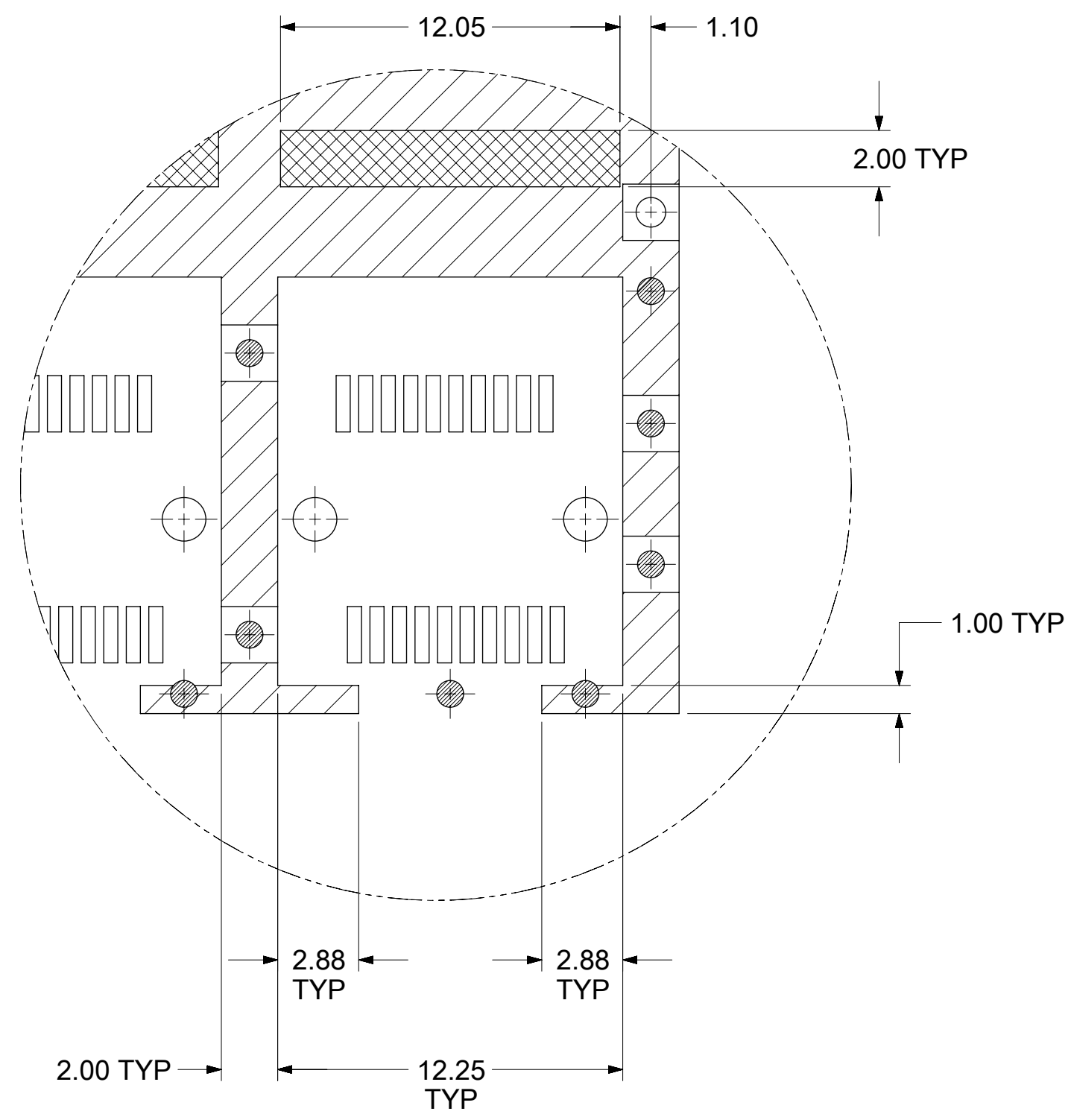
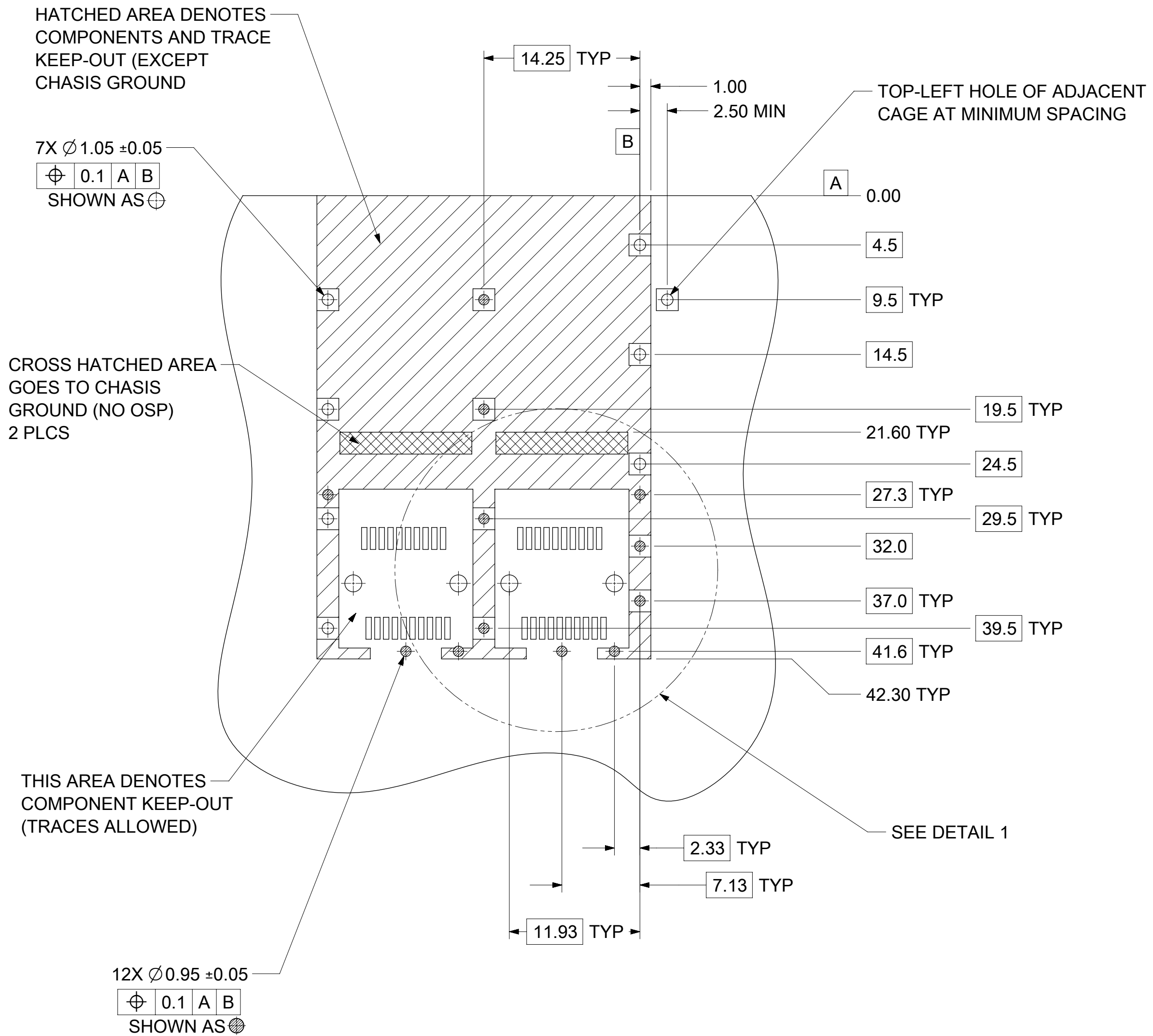
PN/DATE CODE TO BE PRINTED ON THE BACK OF COMPLETED CAGE ASSEMBLY APPROXIMATELY AS SHOWN.

- NOTES:
- MATERIAL:
CAGE: 0.25mm THICK COPPER ALLOY, NICKEL PLATED.
SPRING FINGERS: STAINLESS STEEL
 - PRESS FIT LEGS 3.05mm LONG
 - PORTS ARE DESIGNED FOR SFP+ TRANSCEIVERS AND ARE COMPATIBLE WITH SFP TRANSCEIVERS. THE TOP SURFACE OF THE MODULE MUST BE FLAT (NO PRODUCT LABEL RECESS) AND THERMALLY CONDUCTIVE TO FUNCTION OPTIMALLY.
 - WELD SPOT MAY SHOW SLIGHT MATERIAL DISCOLORATION.
 - NO RoHS EXEMPTIONS.

WEEK/YEAR DATE CODE TABLE	
WW	WEEK OF THE YEAR 01 THRU 52 (EXAMPLE:01= FIRST WEEK OF YEAR 52=LAST WEEK OF YEAR)
YY	22, 23, 24 ETC. EXAMPLE: YEAR 2022 = 22

FUNCTIONAL SYMBOLS $\nabla_A = 0$ $\nabla_C = 0$ $\nabla_P = 0$	THIS DRAWING CONTAINS INFORMATION THAT IS PROPRIETARY TO MOLEX ELECTRONIC TECHNOLOGIES, LLC AND SHOULD NOT BE USED WITHOUT WRITTEN PERMISSION	CURRENT REV DESC: SEE REVISION TABLE			
	DIMENSION UNITS: mm	SCALE: 2.5:1	EC NO: 707505		ZSFP+ 1X2 CAGE, 3.05 MM PRESS FIT, HEAT SINK, SUS EMI SPRING FINGERS AND UNDER BELLY GASKET
	GENERAL TOLERANCES (UNLESS SPECIFIED)		DRWN: SKRISHNAMURT 2022/04/07		
	ANGULAR TOL ± 1.0°		CHK'D: TKUMARKC 2022/05/20		APPR: SCHIEN 2022/05/20
DIVISIONAL SYMBOLS 4 PLACES ± 3 PLACES ± 2 PLACES ± 0.13 1 PLACE ± 0.25 0 PLACES ±	INITIAL REVISION:		PRODUCT CUSTOMER DRAWING		
	DRAFT WHERE APPLICABLE MUST REMAIN WITHIN DIMENSIONS		DRWN: SKRISHNAMURT 2022/04/07	APPR: SCHIEN 2022/05/20	DOCUMENT NUMBER: 1001138220
	THIRD ANGLE PROJECTION	DRAWING: C-SIZE	SERIES: 100113	MATERIAL NUMBER: 1001138220	CUSTOMER: PSD ASY A
				SHEET NUMBER: 1 OF 5	

PCB LAYOUT - SINGLE SIDE ONLY

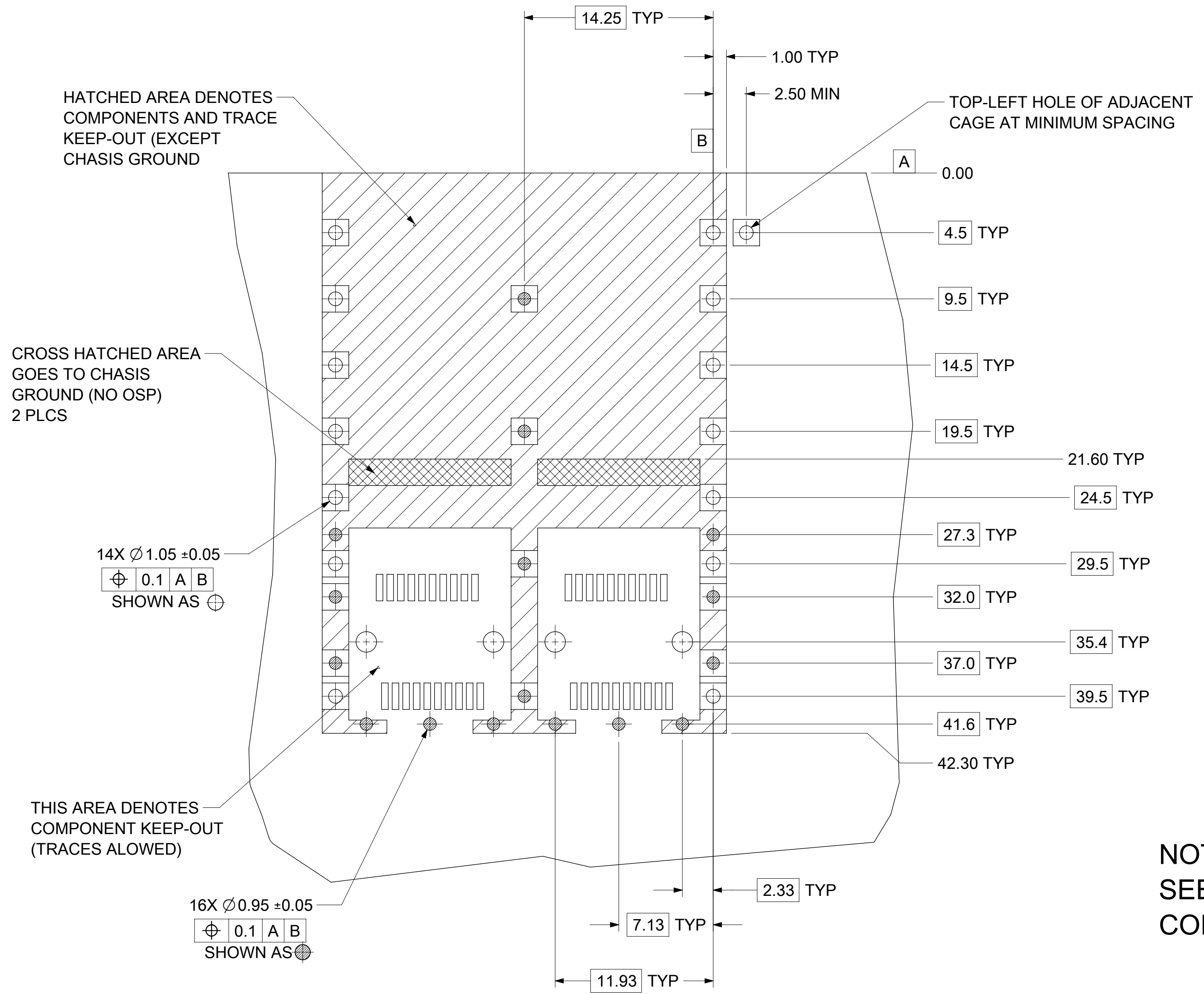


DETAIL 1
SCALE 5:1

- NOTES:
- PADS AND VIAS CONNECT TO CHASSIS GROUND
RECOMMEND PADS TO BE 2.00mm SQUARE
 - RECOMMENDED THRU HOLE PLATING INCLUDES HASL, OSP, OR IMMERSION (GOLD, SILVER, OR TIN)
 - CONNECTOR PAD LAYOUT PER SFP+ MSA WILL ACCOMODATE MOLEX CONNECTOR SERIES 170382 OR EQUIVALENT
 - SPACING BETWEEN PORTS IS 14.25mm
 - 1.57mm MINIMUM PCB THICKNESS FOR SINGLE SIDED USE.

THIS DRAWING CONTAINS INFORMATION THAT IS PROPRIETARY TO MOLEX ELECTRONIC TECHNOLOGIES, LLC AND SHOULD NOT BE USED WITHOUT WRITTEN PERMISSION									
FUNCTIONAL SYMBOLS	DIMENSION UNITS	SCALE	CURRENT REV DESC: SEE REVISION TABLE						
$\frac{F}{A} = 0$	mm	1:1	EC NO: 707505 DRWN: SKRISHNAMURT 2022/04/07 CHK'D: TKUMARKC 2022/05/20 APPR: SCHIEN 2022/05/20 INITIAL REVISION: DRWN: SKRISHNAMURT 2022/04/07 APPR: SCHIEN 2022/05/20						
$\frac{E}{C} = 0$	GENERAL TOLERANCES (UNLESS SPECIFIED)								
$\frac{E}{P} = 0$	ANGULAR TOL $\pm 1.0^\circ$								
DIVISIONAL SYMBOLS	4 PLACES	\pm	PRODUCT CUSTOMER DRAWING DOCUMENT NUMBER: 1001138220 DOC TYPE: PSD DOC PART: ASY REVISION: A MATERIAL NUMBER: 1001138220 CUSTOMER: SHEET NUMBER: 2 OF 5						
	3 PLACES	\pm							
	2 PLACES	± 0.13							
	1 PLACE	± 0.25							
	0 PLACES	\pm							
DRAFT WHERE APPLICABLE MUST REMAIN WITHIN DIMENSIONS			THIRD ANGLE PROJECTION	DRAWING	SERIES	MATERIAL NUMBER	CUSTOMER	SHEET NUMBER	
				C-SIZE	100113	1001138220		2 OF 5	

PCB LAYOUT FOR BELLY TO BELLY MOUNTING

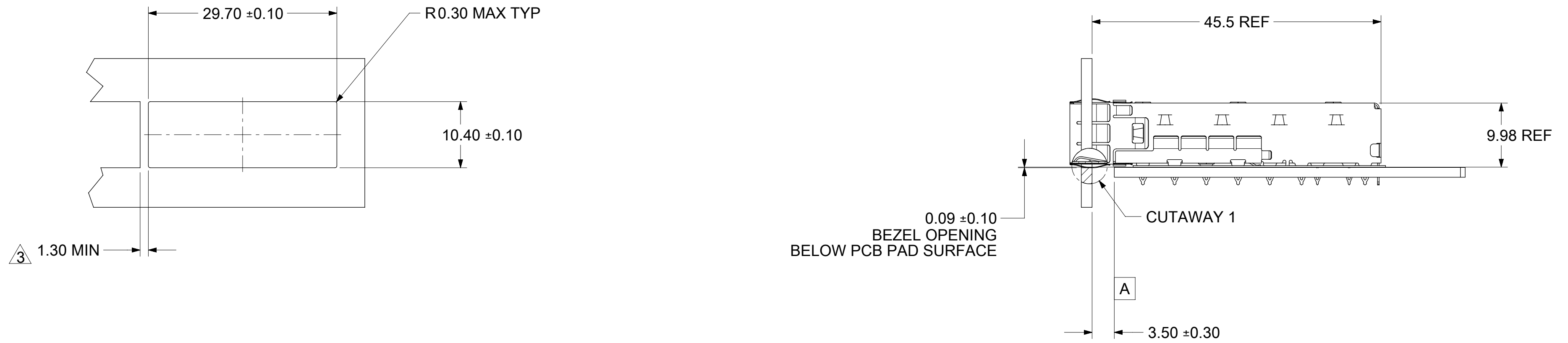


NOTE:
SEE SHEET 2 FOR HOST
CONNECTOR DETAIL

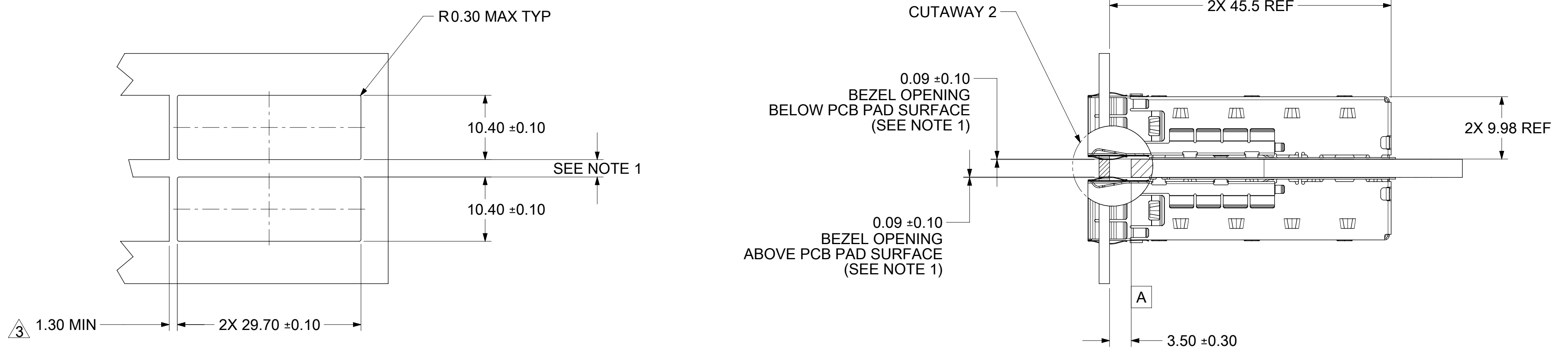
- NOTES:**
1. PADS AND VIAS CONNECT TO CHASSIS GROUND
RECOMMEND PADS TO BE 2.00mm SQUARE
 2. RECOMMENDED THRU HOLE PLATING INCLUDES HASL, OSP, OR IMMERSION (GOLD, SILVER, OR TIN)
 3. CONNECTOR PAD LAYOUT PER SFP+ MSA WILL ACCOMODATE MOLEX CONNECTOR SERIES 170382 OR EQUIVALENT
 4. SPACING BETWEEN PORTS IS 14.25mm
 5. 3.00mm MINIMUM PCB THICKNESS FOR BELLY TO BELLY USE.

FUNCTIONAL SYMBOLS	THIS DRAWING CONTAINS INFORMATION THAT IS PROPRIETARY TO MOLEX ELECTRONIC TECHNOLOGIES, LLC AND SHOULD NOT BE USED WITHOUT WRITTEN PERMISSION		CURRENT REV DESC: SEE REVISION TABLE	
	DIMENSION UNITS	SCALE		
$\frac{F}{A} = 0$	mm	4:1		
$\frac{F}{C} = 0$	GENERAL TOLERANCES (UNLESS SPECIFIED)			
$\frac{F}{P} = 0$	ANGULAR TOL ± 1.0°			
DIVISIONAL SYMBOLS	4 PLACES	±		
	3 PLACES	±		
	2 PLACES	± 0.13		
	1 PLACE	± 0.25		
	0 PLACES	±		
DRAFT WHERE APPLICABLE MUST REMAIN WITHIN DIMENSIONS		THIRD ANGLE PROJECTION	DRAWING	SERIES
			C-SIZE	100113
		EC NO: 707505		
		DRWN: SKRISHNAMURT	2022/04/07	
		CHK'D: TKUMARKC	2022/05/20	
		APPR: SCHIEN	2022/05/20	
		INITIAL REVISION:		
		DRWN: SKRISHNAMURT	2022/04/07	
		APPR: SCHIEN	2022/05/20	
		PRODUCT CUSTOMER DRAWING		
		DOCUMENT NUMBER	DOC TYPE	DOC PART
		1001138220	PSD	ASY
		CUSTOMER		SHEET NUMBER
		1001138220		3 OF 5

BEZEL AND BOARD POSITION DIMENSIONS FOR SINGLE SIDE MOUNTING (SPRING FINGER)



BEZEL AND BOARD POSITION DIMENSIONS FOR BELLY TO BELLY MOUNTING (SPRING FINGER)



- NOTE:**
1. PCB THICKNESS VARIATION MUST BE CONSIDERED WHEN DETERMINING BEZEL OPENING SIZE AND LOCATION.
 2. CAGE LEG STANDOFF WILL PIERCE BELLY GASKET WHEN PROPERLY PRESSED INTO PCB.
 3. THIS DIMENSION IS FOR REF ONLY. USER CAN MODIFY IT DEPENDS ON APPLICATION. HOLE OF ADJACENT CAGE ON PCB LAYOUT VARIES ON MODIFICATION.

FUNCTIONAL SYMBOLS	THIS DRAWING CONTAINS INFORMATION THAT IS PROPRIETARY TO MOLEX ELECTRONIC TECHNOLOGIES, LLC AND SHOULD NOT BE USED WITHOUT WRITTEN PERMISSION										
$\frac{E}{A} = 0$	DIMENSION UNITS	SCALE	CURRENT REV DESC: SEE REVISION TABLE								
$\frac{E}{C} = 0$	mm	2:1	molex								
$\frac{E}{P} = 0$	GENERAL TOLERANCES (UNLESS SPECIFIED)										
	ANGULAR TOL ± 1.0°		EC NO: 707505		2022/04/07		ZSFP+ 1X2 CAGE, 3.05 MM PRESS FIT, HEAT SINK, SUS EMI SPRING FINGERS AND UNDER BELLY GASKET				
	4 PLACES ±		DRWN: SKRISHNAMURT		2022/05/20						
	3 PLACES ±		CHK'D: TKUMARKC		2022/05/20		PRODUCT CUSTOMER DRAWING				
	2 PLACES ± 0.13		APPR: SCHIEN		2022/05/20						
	1 PLACE ± 0.25		INITIAL REVISION:				DOCUMENT NUMBER		DOC TYPE	DOC PART	REVISION
	0 PLACES ±		DRWN: SKRISHNAMURT		2022/04/07		1001138220		PSD	ASY	A
	DRAFT WHERE APPLICABLE MUST REMAIN WITHIN DIMENSIONS		APPR: SCHIEN		2022/05/20		MATERIAL NUMBER		CUSTOMER		SHEET NUMBER
			THIRD ANGLE PROJECTION		DRAWING		SERIES		100113		1001138220
			C-SIZE		100113						4 OF 5

REV	DATE	DESCRIPTION
A	2022/05/20	INITIAL RELEASE

FUNCTIONAL SYMBOLS FA = 0 FC = 0 FP = 0 DIVISIONAL SYMBOLS	THIS DRAWING CONTAINS INFORMATION THAT IS PROPRIETARY TO MOLEX ELECTRONIC TECHNOLOGIES, LLC AND SHOULD NOT BE USED WITHOUT WRITTEN PERMISSION		CURRENT REV DESC: SEE REVISION TABLE						
	DIMENSION UNITS mm	SCALE 1:1	GENERAL TOLERANCES (UNLESS SPECIFIED) ANGULAR TOL ± 1.0°					EC NO: 707505 DRWN: SKRISHNAMURT 2022/04/07 CHK'D: TKUMARKC 2022/05/20 APPR: SCHIEN 2022/05/20	
4 PLACES ± 3 PLACES ± 2 PLACES ± 0.13 1 PLACE ± 0.25 0 PLACES ±	DRAFT WHERE APPLICABLE MUST REMAIN WITHIN DIMENSIONS		THIRD ANGLE PROJECTION 	DRAWING C-SIZE	SERIES 100113	DOCUMENT NUMBER 1001138220	DOC TYPE PSD	DOC PART ASY	REVISION A
PRODUCT CUSTOMER DRAWING		MATERIAL NUMBER 1001138220	CUSTOMER	SHEET NUMBER 5 OF 5					