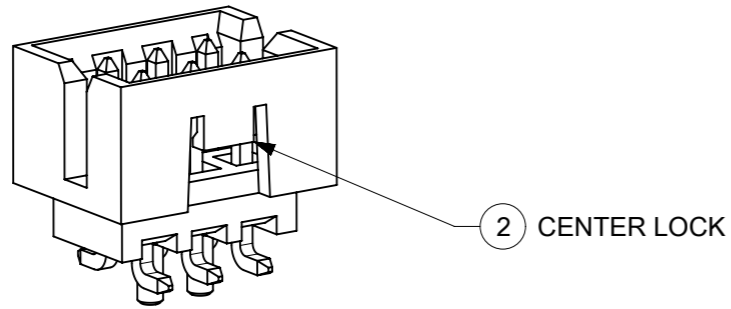
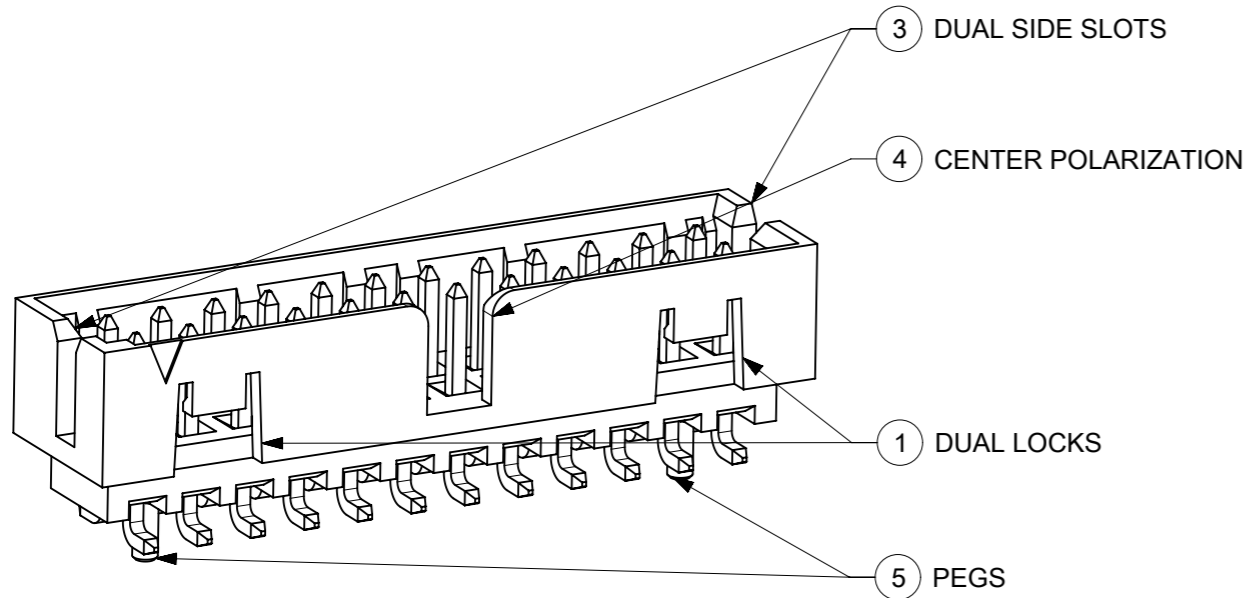


FEATURES SELECTION GUIDE



2 CENTER LOCK



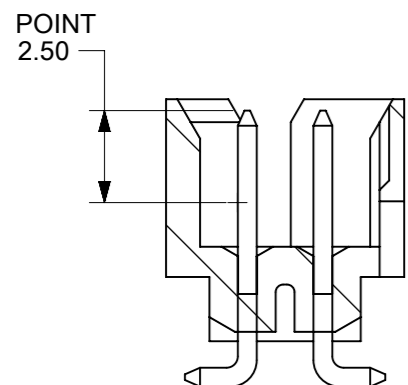
3 DUAL SIDE SLOTS

4 CENTER POLARIZATION

1 DUAL LOCKS

5 PEGS

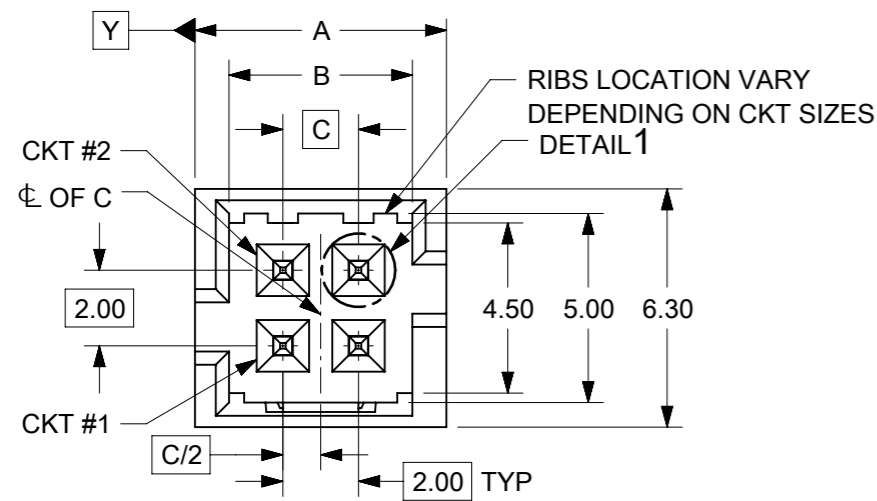
PLATING MEASUREMENT



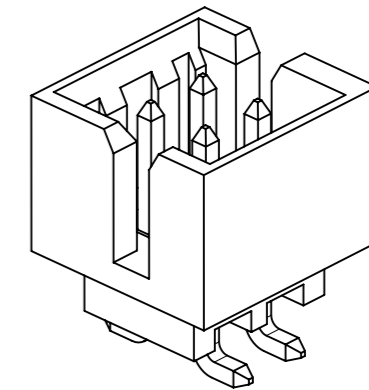
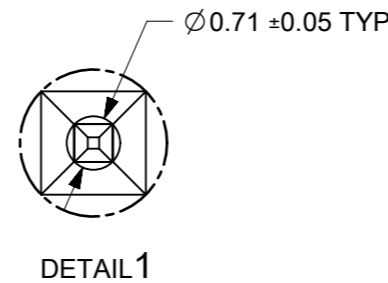
| CIRCUIT SIZE | FEATURES | | | | | SHEET NO |
|--------------|----------------|----------|-----------------|---------------------|------|----------|
| | FRICTION LOCKS | | DUAL SIDE SLOTS | CENTER POLARIZATION | PEGS | |
| | 1 DUAL | 2 CENTER | | | | |
| 4 | N.A | N.A | YES | N.A | N.A | 2 - 3 |
| | N.A | YES | YES | N.A | N.A | |
| 6 | N.A | N.A | YES | N.A | N.A | 4 - 5 |
| | N.A | N.A | YES | N.A | YES | |
| | N.A | N.A | YES | YES | N.A | |
| | N.A | YES | YES | N.A | N.A | |
| | N.A | YES | YES | N.A | YES | |
| 8 TO 12 | N.A | N.A | YES | YES | YES | 6 - 7 |
| | N.A | N.A | YES | YES | N.A | |
| | N.A | YES | YES | N.A | N.A | |
| 14 TO 50 | YES | N.A | YES | YES | N.A | 8 - 11 |
| | YES | N.A | YES | YES | YES | |

THIS DRAWING CONTAINS INFORMATION THAT IS PROPRIETARY TO MOLEX ELECTRONIC TECHNOLOGIES, LLC AND SHOULD NOT BE USED WITHOUT WRITTEN PERMISSION

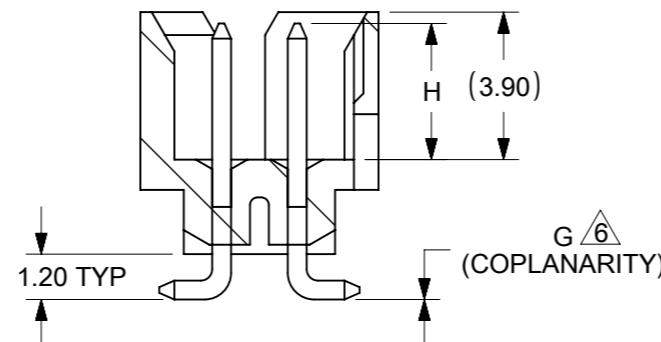
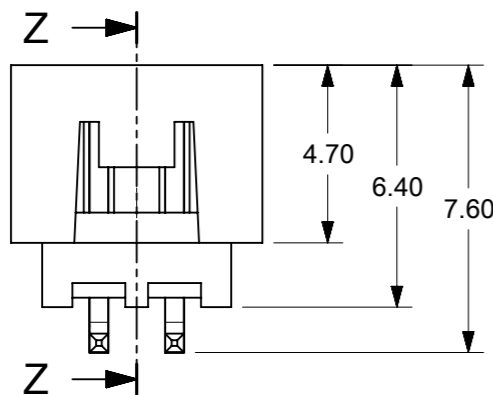
| | | | | | | | | | | | | | | | |
|---------------------------------------------------------------------------|---------------------------------------------------------------------------|------------------------------------------------------|-------|-----------------|----------|------------------------|------------|-----------------|------------------------------------------------------|-----------------|--|----------------|--|--------------|--|
| EC NO: 721932 DRWN: DANUSA CHK'D: DANUSA REV APPR: MIRAMAKRISHNA | 2022/07/25 | GENERAL TOLERANCES (UNLESS SPECIFIED) | | DIMENSION UNITS | | SCALE | | | | | | | | | |
| | 2022/09/20 | MM | INCH | MM | NTS | DRWN BY | | | | | | DATE | | | |
| | 2022/09/20 | 4 PLACES | ± | ± | GMENARLY | | 2015/05/22 | | MILLIGRID 2MM PITCH, SMT VERTICAL SHROUDED HEADER | | | | | | |
| | EC NO: 721932 DRWN: DANUSA CHK'D: DANUSA REV APPR: MIRAMAKRISHNA | 3 PLACES | ± | ± | CHK'D BY | | DATE | | | | | | | | |
| | | 2 PLACES | ± 0.2 | ± | CGOH | | 2015/09/21 | | | | | | | | |
| 1 PLACES | | ± | ± | APPR BY | | DATE | | | | | | | | | |
| 0 PLACES | | ± | ± | KHLIM | | 2015/09/22 | | | | | | | | | |
| | | ANGULAR TOL = 3.0 | | DRAWING SIZE | | THIRD ANGLE PROJECTION | | SERIES | | MATERIAL NUMBER | | CUSTOMER | | | |
| | | DRAFT WHERE APPLICABLE MUST REMAIN WITHIN DIMENSIONS | | A3 | | | | 87832 | | SEE TABLE | | GENERAL MARKET | | | |
| | | | | | | | | DOCUMENT NUMBER | | DOC TYPE | | DOC PART | | SHEET NUMBER | |
| | | | | | | | | SD-87832-0001 | | PSD | | 001 | | 1 OF 13 | |



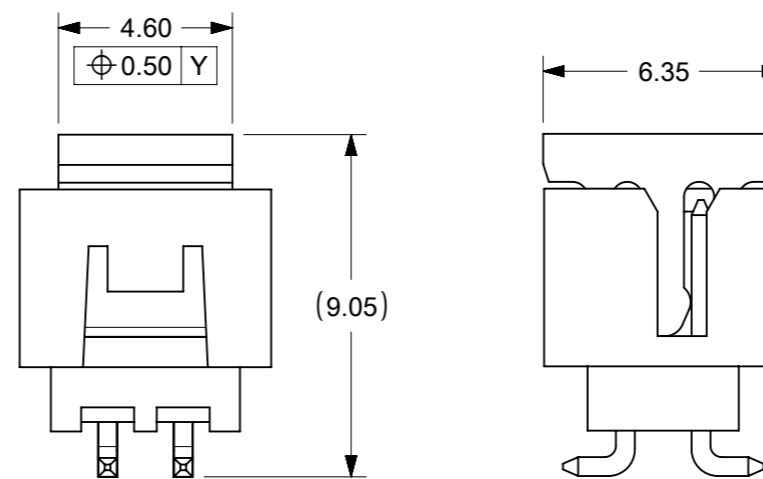
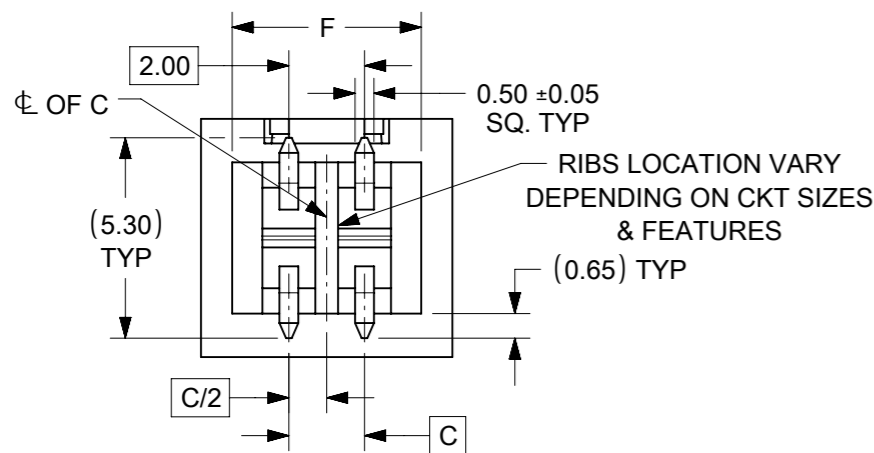
4 CIRCUITS



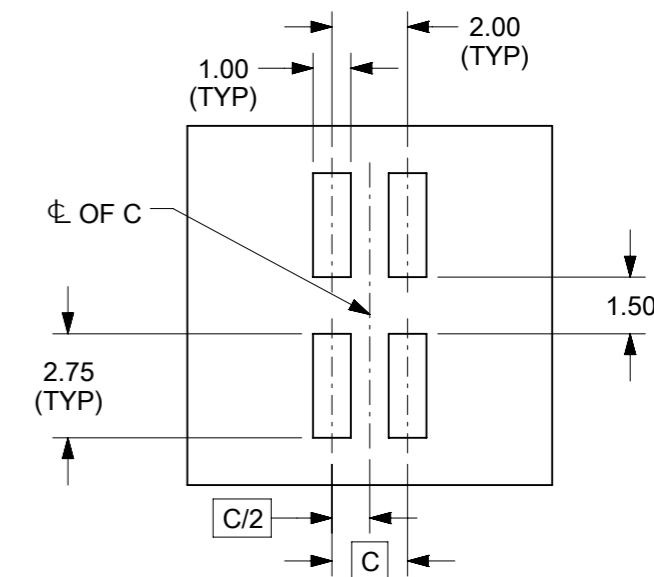
ISO VIEW OF HEADER WITH ONLY DUAL SLOTS



SECTION Z-Z



VIEW FOR HEADER WITH CAP



RECOMMENDED PCB LAYOUT

NOTES:

- MATERIALS:**
HOUSING & CAP: 30% GF, NYLON, UL94V-0, COLOR: BLACK
PIN: 0.50mm SQ. PHOSPHOR BRONZE
- FINISHES:** REFER TO PLATING OPTIONS
- PRODUCT SPECIFICATION:** PS-87831-027
- PACKAGING SPECIFICATION:** SEE PACKAGING SPECS TABLE ON SHEET 12
- MATES WITH:** A. MOLEX CRIMP RECEPTACLE HOUSING: 51110 SERIES AND CRIMP TERMINAL: 50394 SERIES
B. MOLEX 2mm MILLIGRID DUAL ROW IDT: 87568 SERIES
C. MOLEX 2mm MILLIGRID DUAL ROW RECEPTACLE: 79107 (GOLD PLATED), 78787 (TIN PLATED)
- COPLANARITY IS TO BE MEASURED BY RESTING THE SOLDER TAIL ON A GAUGE SURFACE
- BEND DEPRESSION ON SMT TAIL IS ACCEPTABLE SO LONG AS IT DOES NOT AFFECT THE OVERALL COPLANARITY
- TOP SURFACE OF CAP TO BE FLAT FOR THE PURPOSE OF PICK & PLACE BY VACUUM SUCTION NOZZLE

THIS DRAWING CONTAINS INFORMATION THAT IS PROPRIETARY TO MOLEX ELECTRONIC TECHNOLOGIES, LLC AND SHOULD NOT BE USED WITHOUT WRITTEN PERMISSION

| | | | | | |
|---------------------------------------------------------------------------|------------------------------------------------------|---------------|-----------------|------------------------|----------------------------------------------------------------------|
| 2022/07/25 2022/09/20 2022/09/20 | GENERAL TOLERANCES (UNLESS SPECIFIED) | | DIMENSION UNITS | SCALE | molex MILLIGRID 2MM PITCH, SMT VERTICAL SHROUDED HEADER |
| | MM | INCH | MM | NTS | |
| EC NO: 721932 DRWN: DANUSA CHK'D: DANUSA REV APPR: MIRAMAKRISHNA | 4 PLACES | ± | ± | DRWN BY | DATE |
| | 3 PLACES | ± | ± | GMENARLY | 2015/05/22 |
| | 2 PLACES | ± 0.2 | ± | CHK'D BY | DATE |
| | 1 PLACES | ± | ± | CGOH | 2015/09/21 |
| | 0 PLACES | ± | ± | APPR BY | DATE |
| | | | | KHLIM | 2015/09/22 |
| | ANGULAR TOL = 3.0 | | DRAWING SIZE | THIRD ANGLE PROJECTION | |
| | DRAFT WHERE APPLICABLE MUST REMAIN WITHIN DIMENSIONS | | A3 | | |
| RELEASE STATUS | P1 | RELEASE DATE | 2022/09/20 | 09:04:31 | |
| DOCUMENT NUMBER | | DOC TYPE | DOC PART | SHEET NUMBER | |
| A21 | | SD-87832-0001 | PSD | 001 | 2 OF 13 |

4 CIRCUITS

| CKT SIZE | ASSY P/N WITHOUT CAP IN TUBE | ASSY P/N WITH CAP IN TUBE | ASSY P/N WITH CAP IN T&R | T&R OPTIONS (SEE SHEET 12) | PLATING OPTIONS | FRICTION LOCKS | | DUAL SIDE SLOTS | CENTER POLARIZATION | PEGS | DIMENSION | | | | | | | |
|------------|------------------------------|---------------------------|--------------------------|----------------------------|-----------------|----------------|--------|-----------------|---------------------|------|-----------|------|------|-----|-----|------|------------|-----------|
| | | | | | | DUAL | CENTER | | | | A | B | C | D | E | F | G (COPLAN) | H |
| 4 | 87832-0460 | 87832-0462 | 87832-5162 | 1 | 1 | N.A | N.A | YES | N.A | N.A | 6.65 | 4.85 | 2.00 | N.A | N.A | 5.00 | 0.10 | 3.60±0.20 |
| | 87832-0420 | 87832-0422 | 87832-5122 | 1 | 2 | | | | | | | | | | | | | |
| | 87832-0421 | 87832-0423 | 87832-5123 | 1 | 3 | | | | | | | | | | | | | |
| | 87832-0470 | 87832-0472 | 87832-5172 | 1 | 4 | N.A | YES | YES | N.A | N.A | | | | | | | 0.10 | |
| | 87832-0410 | 87832-0408 | 87832-0406 | 1 | 2 | | | | | | | | | | | | | |
| | | | 87832-5106 | 2 | 2 | | | | | | | | | | | | | |
| | 87832-0411 | 87832-0409 | 87832-0407 | 1 | 3 | | | | | | | | | | | | | |
| 87832-0404 | N.A | N.A | N.A | 2 | | | | | | 0.10 | | | | | | | | |

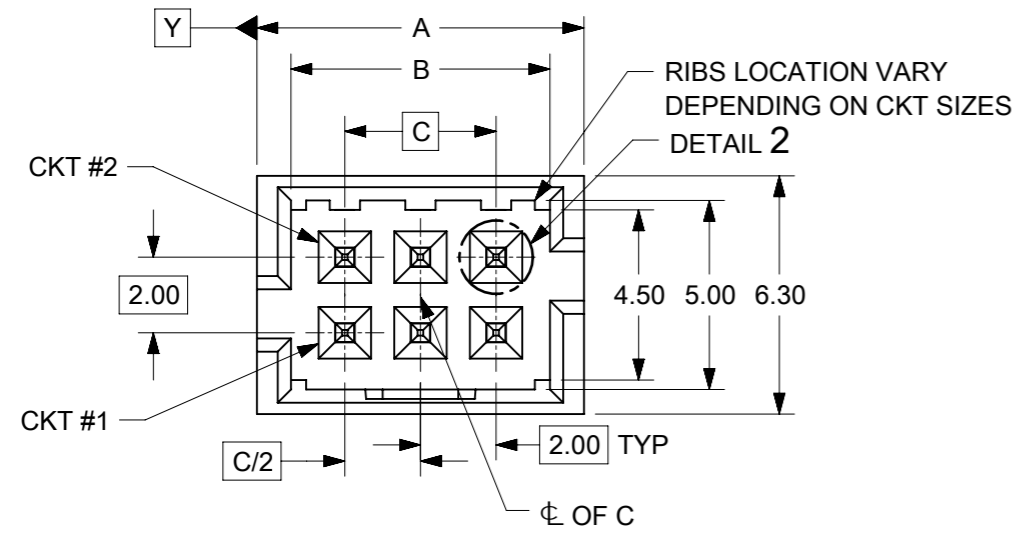
PLATING OPTIONS:

- 1 - 0.05-0.13µm/2-5µin GOLD IN CONTACT AREA AND 1.88µm/75µin MIN. MATTE TIN IN SOLDER TAIL AREA OVER 1.27µm/50µin MIN. NICKEL OVERALL.
- 2 - 0.38µm/15µin MIN. GOLD IN CONTACT AREA AND 1.88µm/75µin MIN. MATTE TIN IN SOLDER TAIL AREA OVER 1.27µm/50µin MIN. NICKEL OVERALL.
- 3 - 0.76µm/30µin MIN. GOLD IN CONTACT AREA AND 1.88µm/75µin MIN. MATTE TIN IN SOLDER TAIL AREA OVER 1.27µm/50µin MIN. NICKEL OVERALL.
- 4 - 2.50µm/100µin MIN. MATTE TIN OVER 1.25µm/50µin MIN. NICKEL OVERALL.

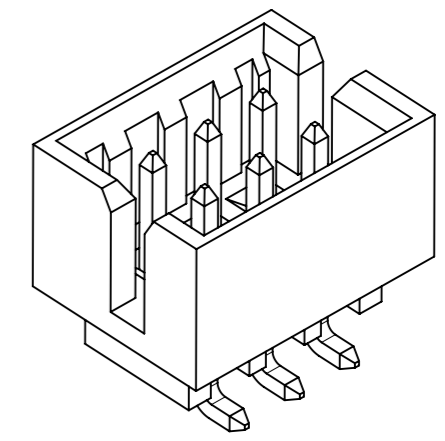
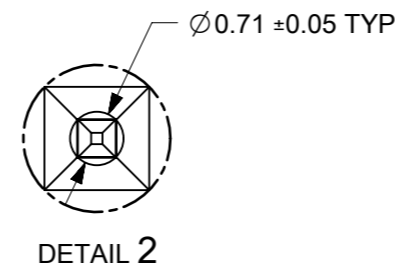
THIS DRAWING CONTAINS INFORMATION THAT IS PROPRIETARY TO MOLEX ELECTRONIC TECHNOLOGIES, LLC AND SHOULD NOT BE USED WITHOUT WRITTEN PERMISSION

| | | | | | | | | |
|--------------------------------------------------------------------------|------------|---------------------------------------|------------------------------------------------------|----------|---------------------|----------------------------------------------------------------------------------------------------------|------------------------|------------------|
| EC NO: 721932 DRWN: DANUSA CHKD: DANUSA REV APPR: MIRAMAKRISHNA | 2022/07/25 | GENERAL TOLERANCES (UNLESS SPECIFIED) | DIMENSION UNITS | | SCALE | molex MILLIGRID 2MM PITCH, SMT VERTICAL SHROUDED HEADER PRODUCT CUSTOMER DRAWING | | |
| | 2022/09/20 | | MM | INCH | NTS | | | |
| | 2022/09/20 | | DRWN BY | DATE | GMENARLY 2015/05/22 | | | |
| | | | 4 PLACES ± | ± | CHK'D BY | | DATE | CGOH 2015/09/21 |
| | | | 3 PLACES ± | ± | APPR BY | | DATE | KHLIM 2015/09/22 |
| | | | 2 PLACES ± 0.2 | ± | DRAWING SIZE | | THIRD ANGLE PROJECTION | A3 |
| | 1 PLACES ± | ± | ANGULAR TOL = 3.0 | | | | | |
| | 0 PLACES ± | ± | DRAFT WHERE APPLICABLE MUST REMAIN WITHIN DIMENSIONS | | | | | |
| RELEASE STATUS | P1 | RELEASE DATE | 2022/09/20 | 09:04:31 | | | | |

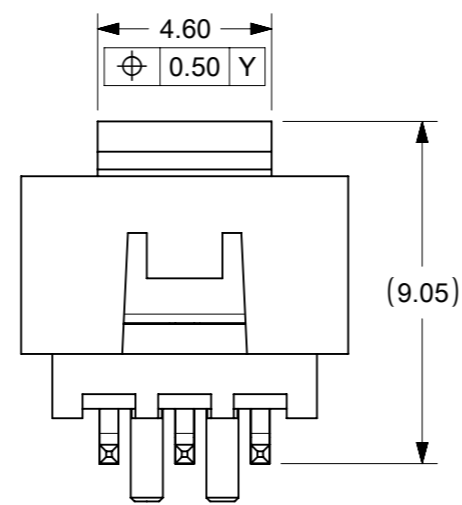
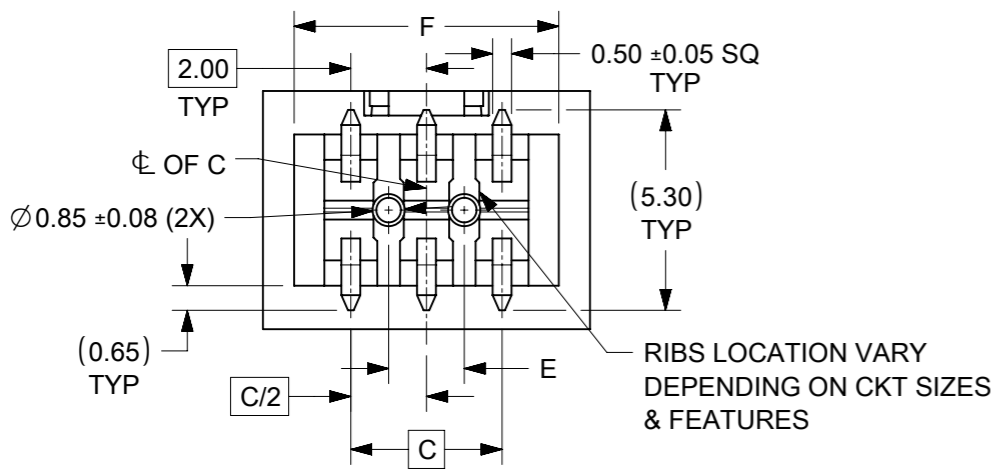
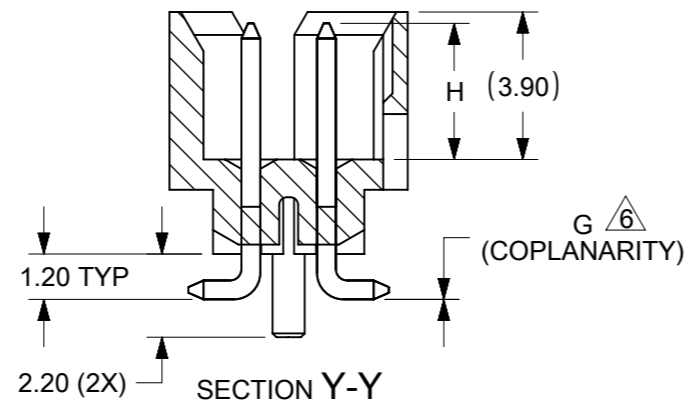
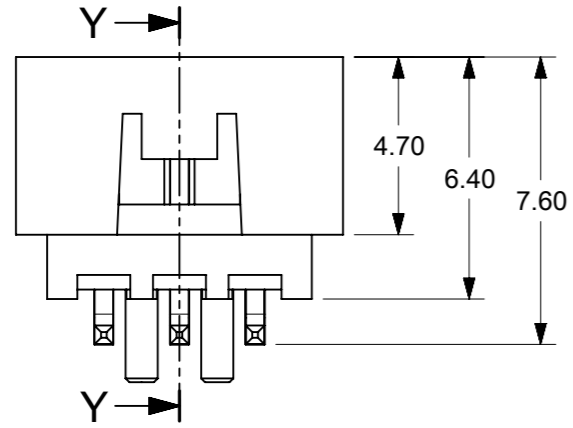
| | | |
|-----------------|-----------------|----------------|
| SERIES | MATERIAL NUMBER | CUSTOMER |
| 87832 | SEE TABLE | GENERAL MARKET |
| DOCUMENT NUMBER | DOC TYPE | DOC PART |
| SD-87832-0001 | PSD | 001 |
| SHEET NUMBER | 3 OF 13 | |



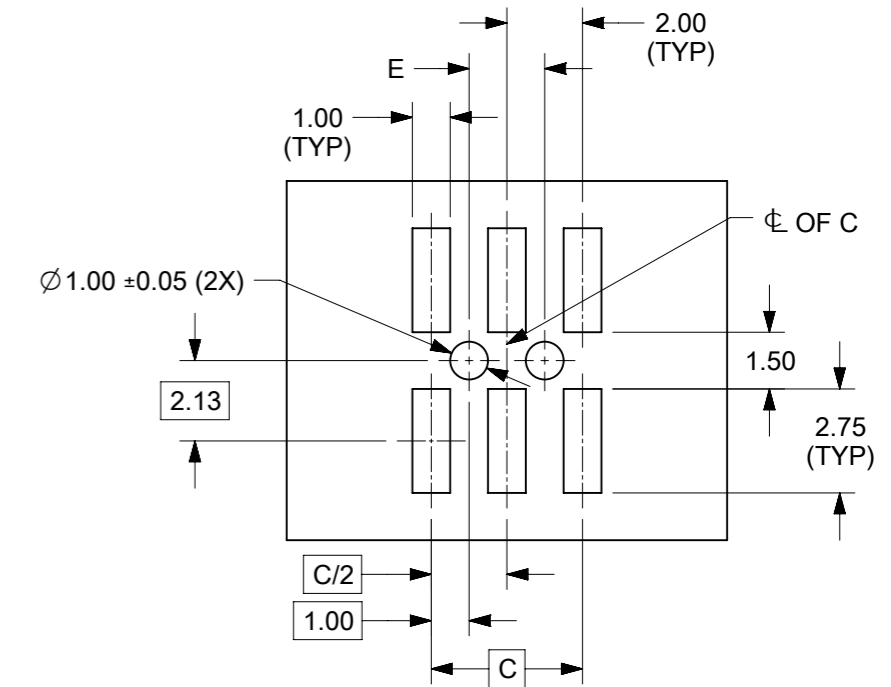
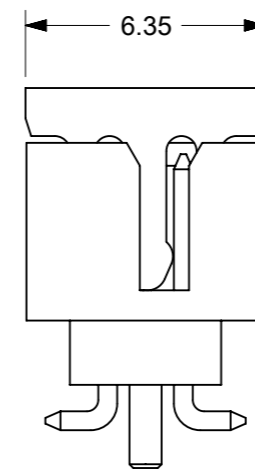
6 CIRCUITS



VIEW FOR HEADER WITH ONLY DUAL SLOTS



VIEW FOR HEADER WITH CAP



RECOMMENDED PCB LAYOUT

- NOTES:**
- MATERIALS:**
HOUSING & CAP: 30% GF, NYLON, UL94V-0, COLOR: BLACK
PIN: 0.50mm SQ. PHOSPHOR BRONZE
 - FINISHES:** REFER TO PLATING OPTIONS
 - PRODUCT SPECIFICATION:** PS-87831-027
 - PACKAGING SPECIFICATION:** SEE PACKAGING SPECS TABLE ON SHEET 12
 - MATES WITH:** A. MOLEX CRIMP RECEPTACLE HOUSING: 51110 SERIES AND CRIMP TERMINAL: 50394 SERIES
B. MOLEX 2mm MILLIGRID DUAL ROW IDT: 87568 SERIES
C. MOLEX 2mm MILLIGRID DUAL ROW RECEPTACLE: 79107 (GOLD PLATED), 78787 (TIN PLATED)
- COPLANARITY IS TO BE MEASURED BY RESTING THE SOLDER TAIL ON A GAUGE SURFACE**
- BEND DEPRESSION ON SMT TAIL IS ACCEPTABLE SO LONG AS IT DOES NOT AFFECT THE OVERALL COPLANARITY
 - TOP SURFACE OF CAP TO BE FLAT FOR THE PURPOSE OF PICK & PLACE BY VACUUM SUCTION NOZZLE

THIS DRAWING CONTAINS INFORMATION THAT IS PROPRIETARY TO MOLEX ELECTRONIC TECHNOLOGIES, LLC AND SHOULD NOT BE USED WITHOUT WRITTEN PERMISSION

| | | | | | | | | | | | |
|---------------------------------------------------------------------------|------------------------------------------------------|---------------------------------------|--------------|-----------------|------------------------|------------|------------|-------------------------------------------------------------------------|-------------------------------------------------------------------------------------------|--|--|
| EC NO: 721932 DRWN: DANUSA CHK'D: DANUSA REV APPR: MIRAMAKRISHNA | 2022/07/25 | GENERAL TOLERANCES (UNLESS SPECIFIED) | | DIMENSION UNITS | | SCALE | | | | | |
| | 2022/09/20 | MM | INCH | MM | NTS | DRWN BY | | | | | |
| | 2022/09/20 | 4 PLACES | ± | ± | GMENARLY | | 2015/05/22 | | MILLIGRID 2MM PITCH, SMT VERTICAL SHROUDED HEADER | | |
| | | 3 PLACES | ± | ± | CHK'D BY | | DATE | | | | |
| | 2 PLACES | ± 0.2 | ± | CGOH | | 2015/09/21 | | PRODUCT CUSTOMER DRAWING | | | |
| | 1 PLACES | ± | ± | APPR BY | | DATE | | | | | |
| | 0 PLACES | ± | ± | KHLIM | | 2015/09/22 | | SERIES: 87832 MATERIAL NUMBER: SEE TABLE CUSTOMER: GENERAL MARKET | | | |
| | ANGULAR TOL = 3.0 | | DRAWING SIZE | | THIRD ANGLE PROJECTION | | | | | | |
| | DRAFT WHERE APPLICABLE MUST REMAIN WITHIN DIMENSIONS | | | | A3 | | | | DOCUMENT NUMBER: SD-87832-0001 DOC TYPE: PSD DOC PART: 001 SHEET NUMBER: 4 OF 13 | | |

6 CIRCUITS

| CKT SIZE | ASSY P/N WITHOUT CAP IN TUBE | ASSY P/N WITH CAP IN TUBE | ASSY P/N WITH CAP IN T&R | ASSY P/N WITHOUT CAP IN T&R | T&R OPTIONS (SEE SHEET 12) | PLATING OPTIONS | FRICTION LOCKS | | DUAL SIDE SLOTS | CENTER POLARIZATION | PEGS | DIMENSION | | | | | | | |
|------------|------------------------------|---------------------------|--------------------------|-----------------------------|----------------------------|-----------------|----------------|--------|-----------------|---------------------|------|-----------|------|------|-----|------|-----------|------------|-----------|
| | | | | | | | DUAL | CENTER | | | | A | B | C | D | E | F | G (COPLAN) | H |
| 6 | 87832-0660 | 87832-0662 | 87832-5262 | | 1 | 1 | N.A | N.A | YES | N.A | YES | 8.65 | 6.85 | 4.00 | N.A | 2.00 | 7.00 | 0.10 | 3.60±0.20 |
| | 87832-0620 | 87832-0622 | 87832-5222 | 87832-5230 | 1 | 2 | | | | | | | | | | | | | |
| | 87832-0621 | 87832-0623 | 87832-5223 | | 1 | 3 | | | | | | | | | | | | | |
| | 87832-0670 | 87832-0672 | 87832-5272 | | 1 | 4 | | | | | | | | | | | | | |
| | 87832-0612 | 87832-0616 | 87832-0614 | | 1 | 2 | N.A | N.A | YES | N.A | N.A | | | | | | | 0.10 | 3.60±0.20 |
| | 87832-0613 | 87832-0617 | 87832-0615 | | 1 | 3 | N.A | N.A | YES | YES | N.A | | | | | | | | |
| | 87832-0624 | 87832-0626 | 87832-0628 | | 1 | 2 | N.A | YES | YES | N.A | N.A | | | | | | | | |
| | 87832-0625 | 87832-0627 | 87832-0629 | | 1 | 3 | N.A | YES | YES | N.A | YES | | | | | | | | |
| | 87832-0610 | 87832-0608 | 87832-0606 | | 1 | 2 | | | | | | | | | | | | N.A | YES |
| | 87832-0611 | 87832-0609 | 87832-0607 | | 1 | 3 | N.A | YES | YES | N.A | YES | | | | | | | | |
| 87832-0604 | N.A | N.A | | N.A | 2 | N.A | | | | | | YES | YES | N.A | YES | 0.10 | 3.60±0.20 | | |

PLATING OPTIONS:

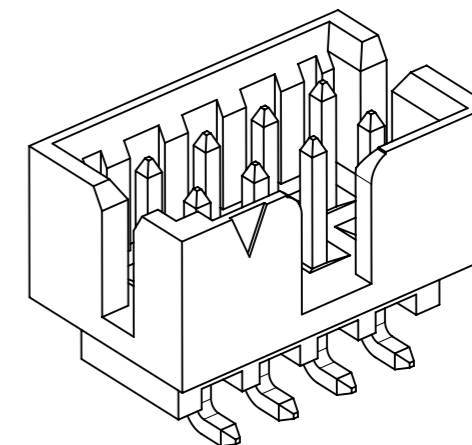
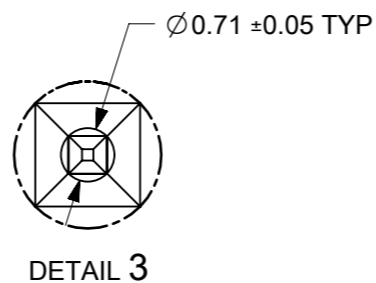
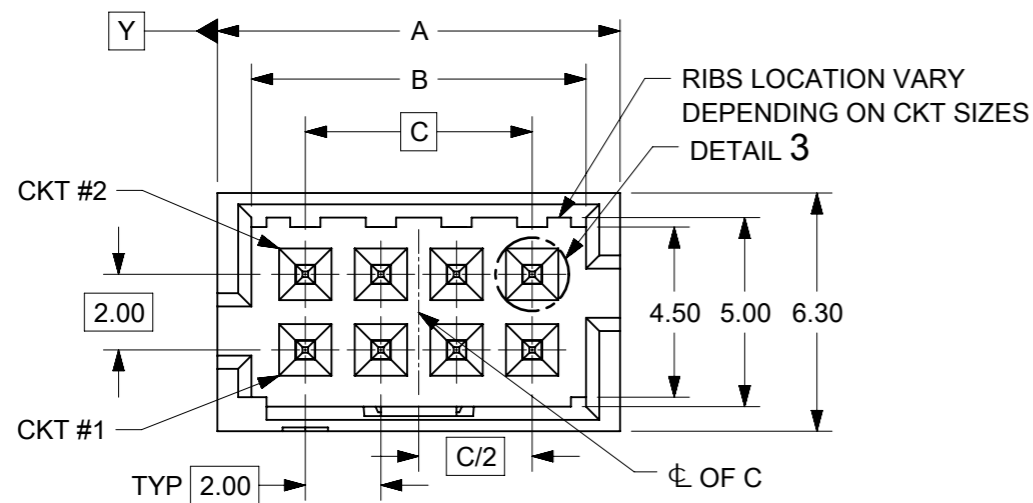
- 1 - 0.05-0.13µm/2-5µin GOLD IN CONTACT AREA AND 1.88µm/75µin MIN. MATTE TIN IN SOLDER TAIL AREA OVER 1.27µm/50µin MIN. NICKEL OVERALL.
- 2 - 0.38µm/15µin MIN. GOLD IN CONTACT AREA AND 1.88µm/75µin MIN. MATTE TIN IN SOLDER TAIL AREA OVER 1.27µm/50µin MIN. NICKEL OVERALL.
- 3 - 0.76µm/30µin MIN. GOLD IN CONTACT AREA AND 1.88µm/75µin MIN. MATTE TIN IN SOLDER TAIL AREA OVER 1.27µm/50µin MIN. NICKEL OVERALL.
- 4 - 2.50µm/100µin MIN. MATTE TIN OVER 1.25µm/50µin MIN. NICKEL OVERALL.

THIS DRAWING CONTAINS INFORMATION THAT IS PROPRIETARY TO MOLEX ELECTRONIC TECHNOLOGIES, LLC AND SHOULD NOT BE USED WITHOUT WRITTEN PERMISSION

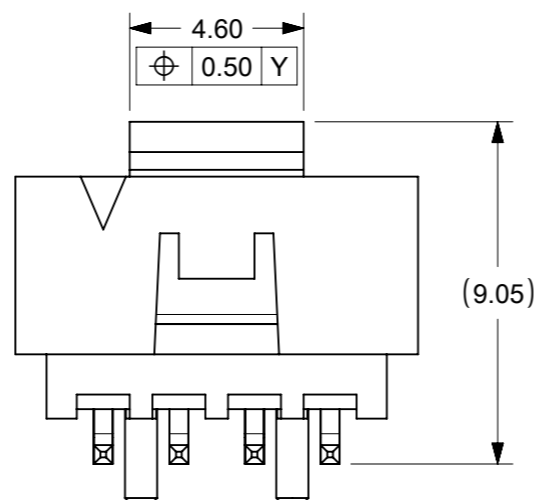
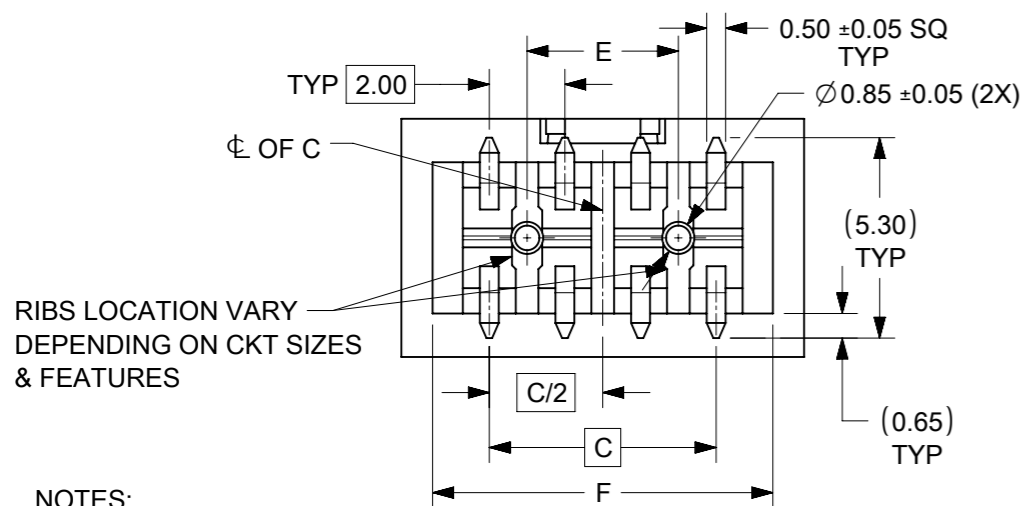
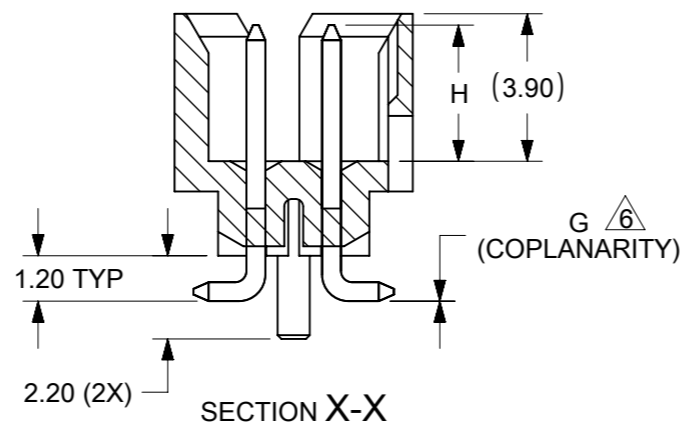
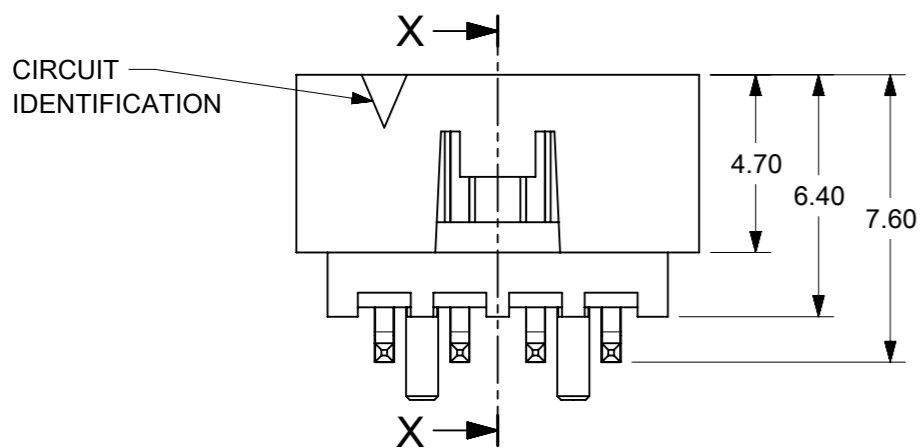
| | | | | | | | | | |
|---------------------------------------------------------------------------|-------------------|---------------------------------------|------------------------|-----------------|-----------------|------------------------------------------------------|----------------|----------|--------------|
| EC NO: 721932 DRWN: DANUSA CHK'D: DANUSA REV APPR: MIRAMAKRISHNA | 2022/07/25 | GENERAL TOLERANCES (UNLESS SPECIFIED) | | DIMENSION UNITS | SCALE | | | | |
| | 2022/09/20 | MM | INCH | MM | NTS | | | | |
| | 2022/09/20 | 4 PLACES ± | ± | DRWN BY | DATE | MILLIGRID 2MM PITCH, SMT VERTICAL SHROUDED HEADER | | | |
| | MIRAMAKRISHNA | 3 PLACES ± | ± | GMENARLY | 2015/05/22 | | | | |
| | A21 | 2 PLACES ± 0.2 | ± | CHK'D BY | DATE | PRODUCT CUSTOMER DRAWING | | | |
| | REV | 1 PLACES ± | ± | CGOH | 2015/09/21 | | | | |
| APPR | 0 PLACES ± | ± | APPR BY | DATE | SERIES | MATERIAL NUMBER | CUSTOMER | | |
| MIRAMAKRISHNA | ANGULAR TOL = 3.0 | ± | KHLIM | 2015/09/22 | 87832 | SEE TABLE | GENERAL MARKET | | |
| DRAFT WHERE APPLICABLE MUST REMAIN WITHIN DIMENSIONS | | DRAWING SIZE | THIRD ANGLE PROJECTION | | DOCUMENT NUMBER | | DOC TYPE | DOC PART | SHEET NUMBER |
| | | A3 | | | SD-87832-0001 | | PSD | 001 | 5 OF 13 |

| | | | | |
|----------------|----|--------------|------------|----------|
| RELEASE STATUS | P1 | RELEASE DATE | 2022/09/20 | 09:04:31 |
|----------------|----|--------------|------------|----------|

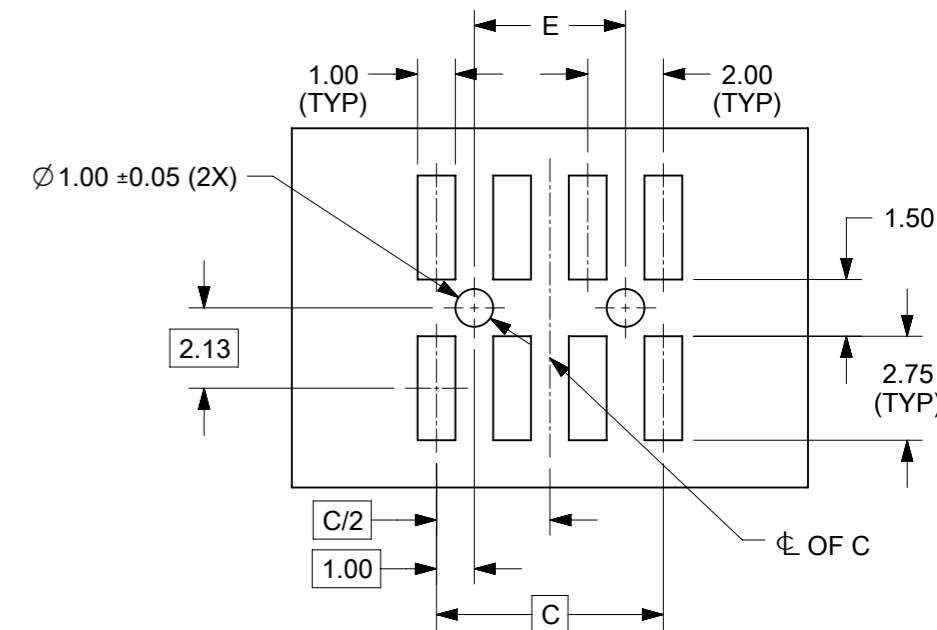
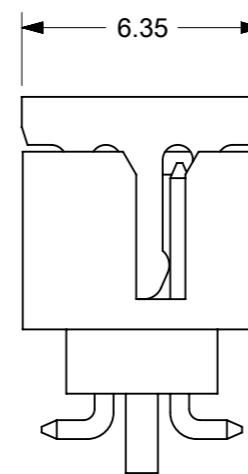
8 TO 12 CIRCUITS



ISO VIEW OF HEADER WITH CENTER POLARIZATION AND DUAL SIDE SLOTS



VIEW FOR HEADER WITH CAP



RECOMMENDED PCB LAYOUT

NOTES:

1. MATERIALS:
HOUSING & CAP: 30% GF, NYLON, UL94V-0, COLOR: BLACK
PIN: 0.50mm SQ. PHOSPHOR BRONZE
2. FINISHES: REFER TO PLATING OPTIONS
3. PRODUCT SPECIFICATION: PS-87831-027
4. PACKAGING SPECIFICATION: SEE PACKAGING SPECS TABLE ON SHEET 12
5. MATES WITH: A. MOLEX CRIMP RECEPTACLE HOUSING: 51110 SERIES AND CRIMP TERMINAL: 50394 SERIES
B. MOLEX 2mm MILLIGRID DUAL ROW IDT: 87568 SERIES
C. MOLEX 2mm MILLIGRID DUAL ROW RECEPTACLE: 79107 (GOLD PLATED), 78787 (TIN PLATED)
6. COPLANARITY IS TO BE MEASURED BY RESTING THE SOLDER TAIL ON A GAUGE SURFACE
7. BEND DEPRESSION ON SMT TAIL IS ACCEPTABLE SO LONG AS IT DOES NOT AFFECT THE OVERALL COPLANARITY
8. TOP SURFACE OF CAP TO BE FLAT FOR THE PURPOSE OF PICK & PLACE BY VACUUM SUCTION NOZZLE

THIS DRAWING CONTAINS INFORMATION THAT IS PROPRIETARY TO MOLEX ELECTRONIC TECHNOLOGIES, LLC AND SHOULD NOT BE USED WITHOUT WRITTEN PERMISSION

| | | | | | | | | | | | | | | | |
|---------------------------------------------------------------------------|------------|------------------------------------------------------|------|-----------------|----------|------------------------|------------|-----------------|------------------------------------------------------|-----------------|--|----------------|--|--------------|--|
| EC NO: 721932 DRWN: DANUSA CHK'D: DANUSA REV APPR: MIRAMAKRISHNA | 2022/07/25 | GENERAL TOLERANCES (UNLESS SPECIFIED) | | DIMENSION UNITS | | SCALE | | | | | | | | | |
| | 2022/09/20 | MM | INCH | MM | NTS | DRWN BY | | | | | | DATE | | | |
| | 2022/09/20 | 4 PLACES | ± | ± | GMENARLY | | 2015/05/22 | | MILLIGRID 2MM PITCH, SMT VERTICAL SHROUDED HEADER | | | | | | |
| | | 3 PLACES | ± | ± | CHK'D BY | | DATE | | | | | | | | |
| | 2 PLACES | ± | 0.2 | ± | CGOH | | 2015/09/21 | | PRODUCT CUSTOMER DRAWING | | | | | | |
| | 1 PLACES | ± | ± | APPR BY | | DATE | | | | | | | | | |
| | 0 PLACES | ± | ± | KHLIM | | 2015/09/22 | | SERIES | | MATERIAL NUMBER | | CUSTOMER | | | |
| | | ANGULAR TOL = 3.0 | | DRAWING SIZE | | THIRD ANGLE PROJECTION | | 87832 | | SEE TABLE | | GENERAL MARKET | | | |
| | | DRAFT WHERE APPLICABLE MUST REMAIN WITHIN DIMENSIONS | | A3 | | | | DOCUMENT NUMBER | | DOC TYPE | | DOC PART | | SHEET NUMBER | |
| | | | | | | | | SD-87832-0001 | | PSD | | 001 | | 6 OF 13 | |


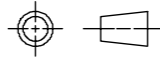
8 TO 12 CIRCUITS

| CKT SIZE | ASSY P/N WITHOUT CAP IN TUBE | ASSY P/N WITH CAP IN TUBE | ASSY P/N WITH CAP IN T&R | ASSY P/N WITHOUT CAP IN T&R | T&R OPTIONS (SEE SHEET 12) | PLATING OPTIONS | FRICTION LOCKS | | DUAL SIDE SLOTS | CENTER POLARIZATION | PEGS | DIMENSION | | | | | | | |
|------------|------------------------------|---------------------------|--------------------------|-----------------------------|----------------------------|-----------------|----------------|--------|-----------------|---------------------|------|-----------|-------|-------|-----|------|-------|------------|-----------|
| | | | | | | | DUAL | CENTER | | | | A | B | C | D | E | F | G (COPLAN) | H |
| 8 | 87832-0860 | 87832-0862 | 87832-5362 | | 1 | 1 | N.A | N.A | YES | YES | YES | 10.65 | 8.85 | 6.00 | N.A | 4.00 | 9.00 | 0.10 | 3.60±0.20 |
| | 87832-0820 | 87832-0822 | 87832-5322 | | 1 | 2 | | | | | | | | | | | | 0.10 | 3.60±0.20 |
| | 87832-0821 | 87832-0823 | 87832-5323 | | 1 | 3 | | | | | | | | | | | | 0.10 | 3.60±0.15 |
| | 87832-0870 | 87832-0872 | 87832-5372 | | 1 | 4 | N.A | N.A | YES | YES | N.A | | | | | | | 0.10 | 3.60±0.20 |
| | 87832-0812 | 87832-0816 | 87832-0814 | | 1 | 2 | N.A | YES | YES | N.A | N.A | | | | | | | 0.10 | 3.60±0.20 |
| | 87832-0824 | 87832-0826 | 87832-0828 | | 1 | 2 | N.A | YES | YES | N.A | N.A | | | | | | | 0.10 | 3.60±0.15 |
| | 87832-0825 | 87832-0827 | 87832-0829 | | 1 | 3 | N.A | YES | YES | N.A | YES | | | | | | | 0.10 | 3.60±0.20 |
| | 87832-0810 | 87832-0808 | 87832-0806 | | 1 | 2 | N.A | YES | YES | N.A | YES | | | | | | | 0.10 | 3.60±0.20 |
| | 87832-0811 | 87832-0809 | 87832-0807 | | 1 | 3 | N.A | YES | YES | N.A | YES | | | | | | | 0.10 | 3.60±0.20 |
| 87832-0804 | N.A | N.A | | N.A | 2 | N.A | YES | YES | N.A | YES | 0.10 | 3.60±0.20 | | | | | | | |
| 10 | 87832-1060 | 87832-1062 | 87832-5462 | | 1 | 1 | N.A | N.A | YES | YES | YES | 12.65 | 10.85 | 8.00 | N.A | 6.00 | 11.00 | 0.10 | 3.60±0.20 |
| | 87832-1020 | 87832-1022 | 87832-5422 | 87832-5430 | 1 | 2 | | | | | | | | | | | | 0.10 | 3.60±0.20 |
| | 87832-1021 | 87832-1023 | 87832-5423 | | 1 | 3 | | | | | | | | | | | | 0.10 | 3.60±0.20 |
| | | | 87832-9423 | | 2 | | | | | | | | | | | | | 0.10 | 3.60±0.15 |
| | 87832-1070 | 87832-1072 | 87832-5472 | | 1 | 4 | N.A | N.A | YES | YES | N.A | | | | | | | 0.10 | 3.60±0.20 |
| | 87832-1012 | 87832-1016 | 87832-1014 | | 1 | 2 | N.A | YES | YES | N.A | N.A | | | | | | | 0.10 | 3.60±0.15 |
| | 87832-1019 | 87832-1045 | 87832-1035 | | 1 | 1 | N.A | YES | YES | N.A | YES | | | | | | | 0.10 | 3.60±0.20 |
| | 87832-1024 | 87832-1026 | 87832-1028 | | 1 | 2 | N.A | YES | YES | N.A | N.A | | | | | | | 0.10 | 3.60±0.20 |
| | N.A | N.A | 87832-1055 | | 1 | 1 | N.A | YES | YES | N.A | YES | | | | | | | 0.10 | 3.60±0.20 |
| | 87832-1025 | 87832-1027 | 87832-1029 | | 1 | 3 | N.A | YES | YES | N.A | YES | | | | | | | 0.10 | 3.60±0.20 |
| 87832-1010 | 87832-1008 | 87832-1006 | | 1 | 2 | N.A | YES | YES | N.A | YES | 0.10 | 3.60±0.20 | | | | | | | |
| 87832-1011 | 87832-1009 | 87832-1007 | | 1 | 3 | N.A | YES | YES | N.A | YES | 0.10 | 3.60±0.20 | | | | | | | |
| 87832-1004 | N.A | N.A | | N.A | 2 | N.A | YES | YES | N.A | YES | 0.10 | 3.60±0.20 | | | | | | | |
| 12 | 87832-1260 | 87832-1262 | 87832-5562 | | 1 | 1 | N.A | N.A | YES | YES | YES | 14.65 | 12.85 | 10.00 | N.A | 8.00 | 13.00 | 0.10 | 3.60±0.20 |
| | 87832-1220 | 87832-1222 | 87832-5522 | | 1 | 2 | | | | | | | | | | | | 0.10 | 3.60±0.15 |
| | 87832-1221 | 87832-1223 | 87832-5523 | | 1 | 3 | | | | | | | | | | | | 0.10 | 3.60±0.20 |
| | | | 87832-9623 | | 2 | | | | | | | | | | | | | 0.10 | 3.60±0.20 |
| | 87832-1270 | 87832-1272 | 87832-5572 | | 1 | 4 | N.A | YES | YES | N.A | N.A | | | | | | | 0.10 | 3.60±0.15 |
| | 87832-1224 | 87832-1226 | 87832-1228 | | 1 | 2 | N.A | YES | YES | N.A | YES | | | | | | | 0.10 | 3.60±0.20 |
| | 87832-1225 | 87832-1227 | 87832-1229 | | 1 | 3 | N.A | YES | YES | N.A | YES | | | | | | | 0.10 | 3.60±0.20 |
| | 87832-1210 | 87832-1208 | 87832-1206 | | 1 | 2 | N.A | YES | YES | N.A | YES | | | | | | | 0.10 | 3.60±0.20 |
| | 87832-1211 | 87832-1209 | 87832-1207 | | 1 | 3 | N.A | YES | YES | N.A | YES | | | | | | | 0.10 | 3.60±0.20 |
| | 87832-1204 | N.A | N.A | | N.A | 2 | N.A | YES | YES | N.A | YES | | | | | | | 0.10 | 3.60±0.20 |
| 87832-1212 | N.A | N.A | | N.A | 2 | N.A | N.A | YES | YES | N.A | 0.10 | 3.60±0.20 | | | | | | | |

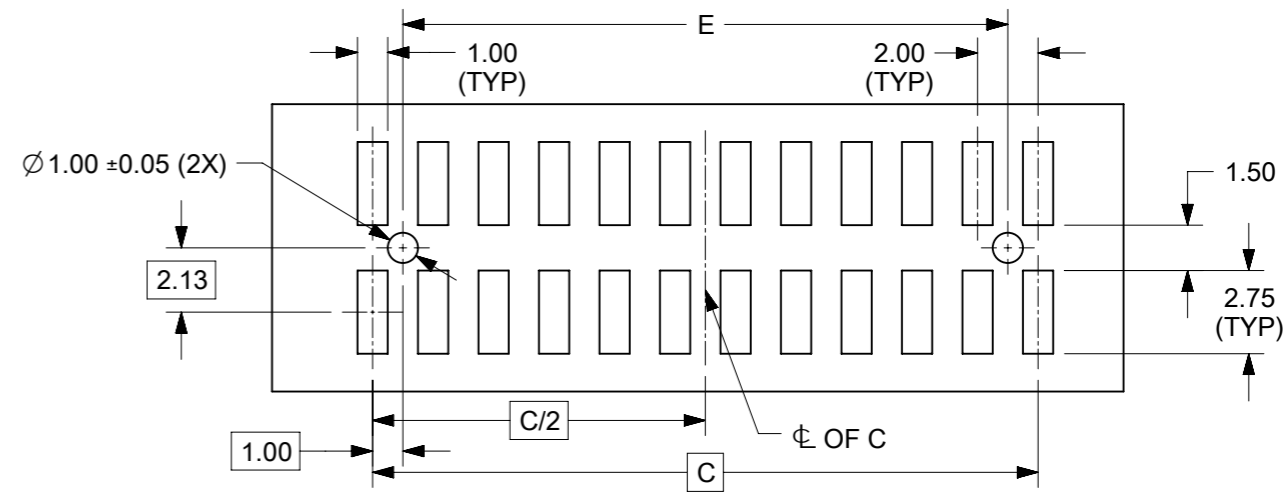
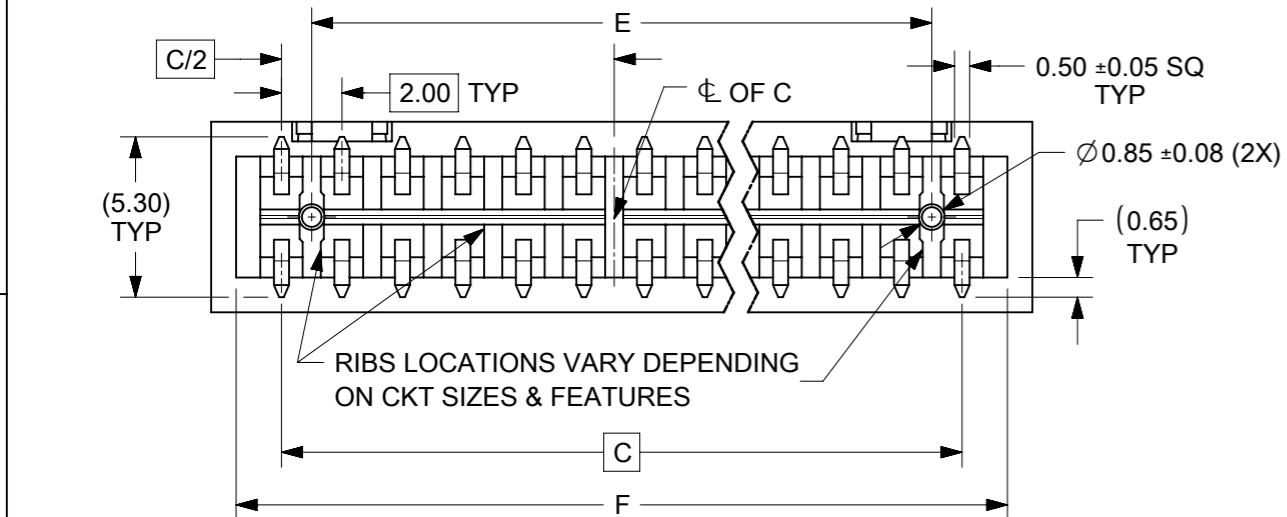
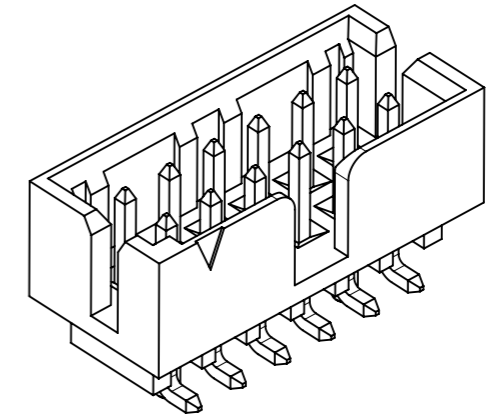
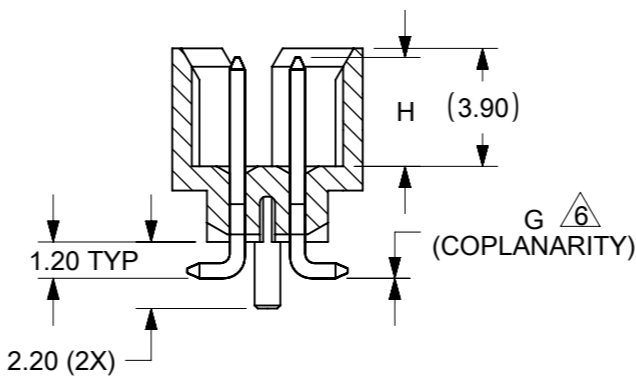
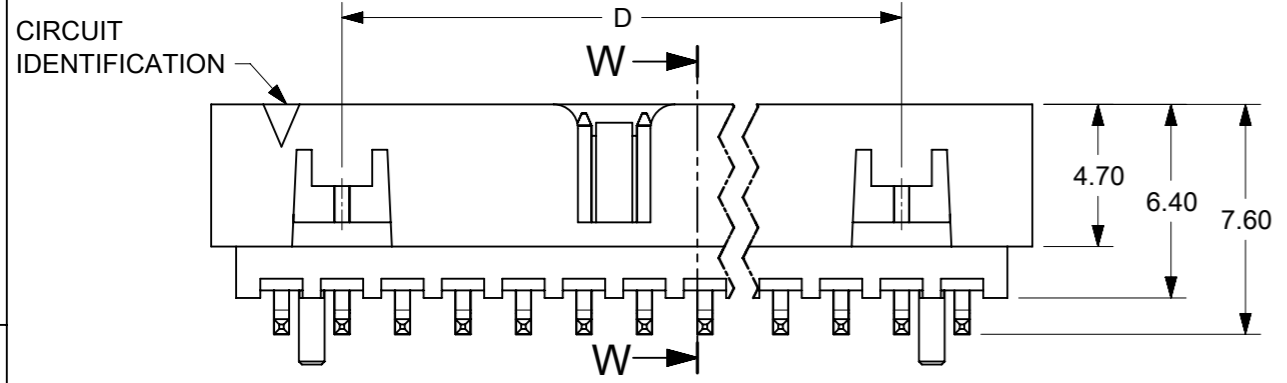
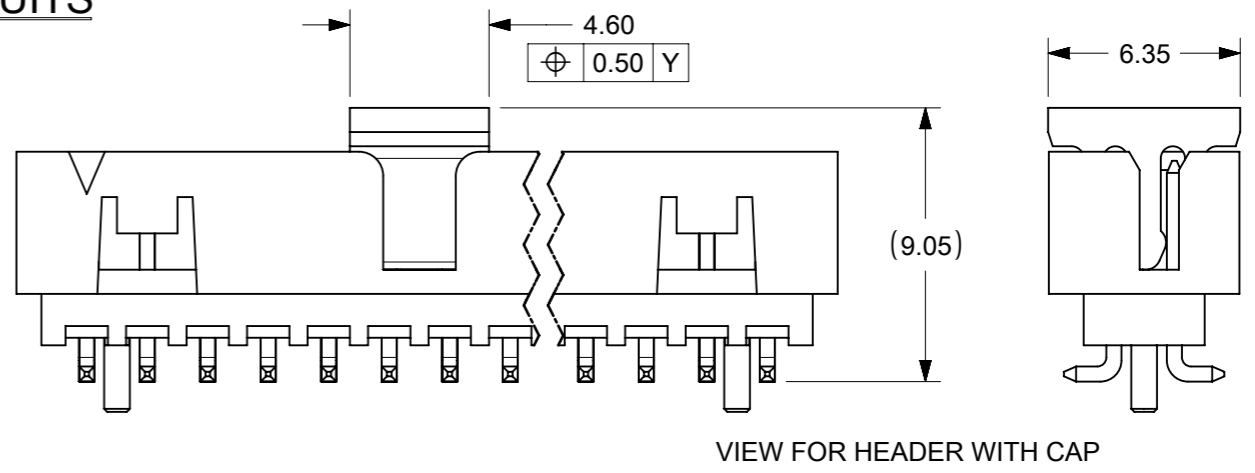
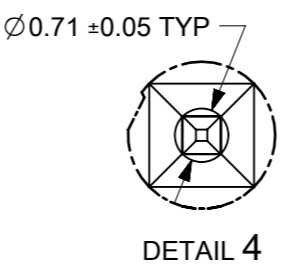
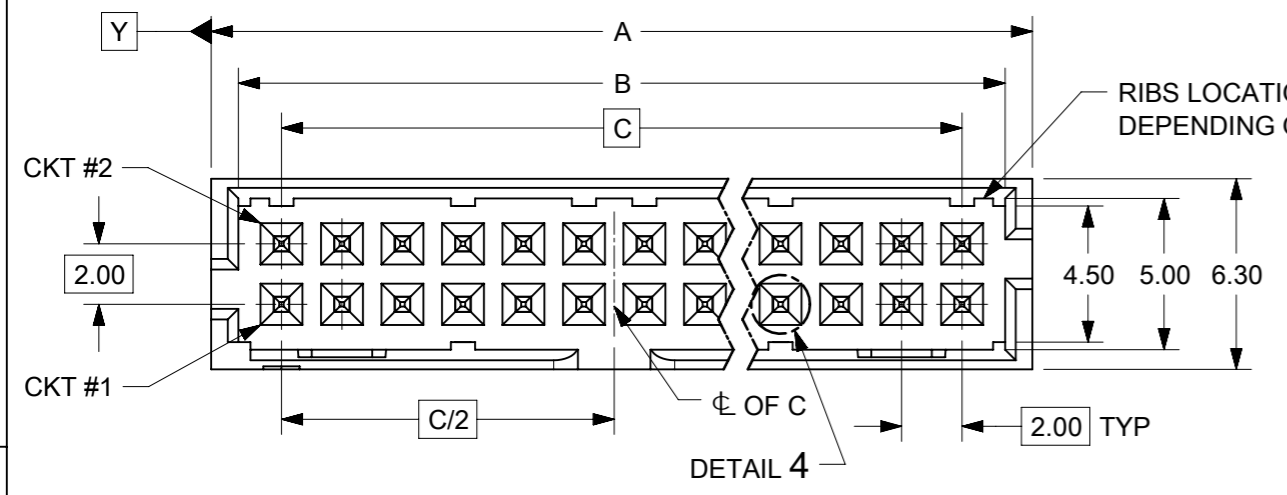
PLATING OPTIONS:

- 1 - 0.05-0.13µm/2-5µin GOLD IN CONTACT AREA AND 1.88µm/75µin MIN. MATTE TIN IN SOLDER TAIL AREA OVER 1.27µm/50µin MIN. NICKEL OVERALL.
- 2 - 0.38µm/15µin MIN. GOLD IN CONTACT AREA AND 1.88µm/75µin MIN. MATTE TIN IN SOLDER TAIL AREA OVER 1.27µm/50µin MIN. NICKEL OVERALL.
- 3 - 0.76µm/30µin MIN. GOLD IN CONTACT AREA AND 1.88µm/75µin MIN. MATTE TIN IN SOLDER TAIL AREA OVER 1.27µm/50µin MIN. NICKEL OVERALL.
- 4 - 2.50µm/100µin MIN. MATTE TIN OVER 1.25µm/50µin MIN. NICKEL OVERALL.

THIS DRAWING CONTAINS INFORMATION THAT IS PROPRIETARY TO MOLEX ELECTRONIC TECHNOLOGIES, LLC AND SHOULD NOT BE USED WITHOUT WRITTEN PERMISSION

| | | | | | | | | | | | | | | |
|--------------------------------------------------------------------------|---------------------------------------|--------------|-----------------|---------------------------------------------------------------------------------------|-----------------|-------------------------------------------------------------------------|---------------------------------------------------------------------------------------|----------------------------------------------------------------------------------|----------|-----|----------|-----|--------------|---------|
| EC NO: 721932 DRWN: DANUSA CHKD: DANUSA REV APPR: MIRAMAKRISHNA | GENERAL TOLERANCES (UNLESS SPECIFIED) | | DIMENSION UNITS | | SCALE | |  | | | | | | | |
| | | | MM | INCH | MM | NTS | | | | | | | | |
| | 4 PLACES ± | | DRWN BY | | DATE | | | MILLIGRID 2MM PITCH, SMT VERTICAL SHROUDED HEADER PRODUCT CUSTOMER DRAWING | | | | | | |
| | 3 PLACES ± | | GMENARLY | | 2015/05/22 | | | | | | | | | |
| 2 PLACES ± 0.2 | | CHK'D BY | | DATE | | | | | | | | | | |
| 1 PLACES ± | | CGOH | | 2015/09/21 | | | | | | | | | | |
| 0 PLACES ± | | APPR BY | | DATE | | SERIES: 87832 MATERIAL NUMBER: SEE TABLE CUSTOMER: GENERAL MARKET | | | | | | | | |
| ANGULAR TOL = 3.0 | | KHLIM | | 2015/09/22 | | | | | | | | | | |
| DRAFT WHERE APPLICABLE MUST REMAIN WITHIN DIMENSIONS | | DRAWING SIZE | | THIRD ANGLE PROJECTION | | | | | | | | | | |
| | | A3 | |  | | | | | | | | | | |
| RELEASE STATUS | P1 | RELEASE DATE | 2022/09/20 | 09:04:31 | DOCUMENT NUMBER | | | SD-87832-0001 | DOC TYPE | PSD | DOC PART | 001 | SHEET NUMBER | 7 OF 13 |

14 TO 50 CIRCUITS



- NOTES:**
- MATERIALS:**
HOUSING & CAP: 30% GF, NYLON, UL94V-0, COLOR: BLACK
PIN: 0.50mm SQ. PHOSPHOR BRONZE
 - FINISHES:** REFER TO PLATING OPTIONS
 - PRODUCT SPECIFICATION:** PS-87831-027
 - PACKAGING SPECIFICATION:** SEE PACKAGING SPECS TABLE ON SHEET 12
 - MATES WITH:** A. MOLEX CRIMP RECEPTACLE HOUSING: 51110 SERIES AND CRIMP TERMINAL: 50394 SERIES
B. MOLEX 2mm MILLIGRID DUAL ROW IDT: 87568 SERIES
C. MOLEX 2mm MILLIGRID DUAL ROW RECEPTACLE: 79107 (GOLD PLATED), 78787 (TIN PLATED)
 - COPLANARITY IS TO BE MEASURED BY RESTING THE SOLDER TAIL ON A GAUGE SURFACE**
 - BEND DEPRESSION ON SMT TAIL IS ACCEPTABLE SO LONG AS IT DOES NOT AFFECT THE OVERALL COPLANARITY**
 - TOP SURFACE OF CAP TO BE FLAT FOR THE PURPOSE OF PICK & PLACE BY VACUUM SUCTION NOZZLE**

THIS DRAWING CONTAINS INFORMATION THAT IS PROPRIETARY TO MOLEX ELECTRONIC TECHNOLOGIES, LLC AND SHOULD NOT BE USED WITHOUT WRITTEN PERMISSION

| | | | | | | | |
|-----------------------------------------------------------------------|------------|----------------------------------------------------------------------------------------------------------------------------------------------------------------------------------------------------------------------------------|-----------------|-----|--------------------------------|--|-------------------------------------------------------------------------|
| EC NO: 721932 DRWN: DANUSA CHK'D: DANUSA APPR: MIRAMAKRISHNA | 2022/07/25 | GENERAL TOLERANCES (UNLESS SPECIFIED) MM INCH 4 PLACES ± ± 3 PLACES ± ± 2 PLACES ± 0.2 ± 1 PLACES ± ± 0 PLACES ± ± ANGULAR TOL = 3.0 DRAFT WHERE APPLICABLE MUST REMAIN WITHIN DIMENSIONS | DIMENSION UNITS | | SCALE | | |
| | 2022/09/20 | | MM | NTS | DRWN BY DATE | | |
| | 2022/09/20 | | MM | NTS | GMENARLY 2015/05/22 | | |
| | | | MM | NTS | CHK'D BY DATE | | |
| | | | CGOH | | 2015/09/21 | | MILLIGRID 2MM PITCH, SMT VERTICAL SHROUDED HEADER |
| | | | APPR BY DATE | | PRODUCT CUSTOMER DRAWING | | |
| | | | KHLIM | | 2015/09/22 | | |
| | | | DRAWING SIZE | | THIRD ANGLE PROJECTION | | |
| | | | A3 | | | | SERIES: 87832 MATERIAL NUMBER: SEE TABLE CUSTOMER: GENERAL MARKET |
| | | | A21 | | DOCUMENT NUMBER: SD-87832-0001 | | DOC TYPE: PSD DOC PART: 001 SHEET NUMBER: 8 OF 13 |

14 TO 24 CIRCUITS

| CKT SIZE | ASSY P/N WITHOUT CAP IN TUBE | ASSY P/N WITH CAP IN TUBE | ASSY P/N WITH CAP IN T&R | ASSY P/N WITHOUT CAP IN T&R | T&R OPTIONS (SEE SHEET 12) | PLATING OPTIONS | FRICTION LOCKS | | DUAL SIDE SLOTS | CENTER POLARIZATION | PEGS | DIMENSION | | | | | | | So (T&R) | | | | | | | | |
|------------|------------------------------|---------------------------|--------------------------|-----------------------------|----------------------------|-----------------|----------------|--------|-----------------|---------------------|------|-----------|-------|-------|-------|-------|-------|------------|-----------|-----------|--|--|------|-----------|-----------|-------|--|
| | | | | | | | DUAL | CENTER | | | | A | B | C | D | E | F | G (COPLAN) | | H | | | | | | | |
| 14 | 87832-1460 | 87832-1462 | 87832-5662 | | 1 | 1 | | | | | | | | | | | | | | | | | | | | | |
| | 87832-1420 | 87832-1422 | 87832-5622 | 87832-5630 | 1 | 2 | | | | | | | | | | | | | | | | | | | | | |
| | 87832-1421 | 87832-1423 | 87832-5623 | | 1 | 3 | | YES | N.A | YES | YES | YES | 16.65 | 14.85 | 12.00 | 8.00 | 10.00 | 15.00 | 0.15 | 3.60±0.20 | | | | | | | |
| | | | 87832-9523 | | 2 | | | | | | | | | | | | | | | | | | | | | | |
| | 87832-1470 | 87832-1472 | 87832-5672 | | 1 | 4 | | | | | | | | | | | | | | | | | | | | | |
| 87832-1412 | 87832-1416 | 87832-1414 | | 1 | 2 | YES | N.A | YES | YES | N.A | | | | | | | | | | | | | 0.15 | 3.60±0.20 | | | |
| | | | | | | | | | | | | | | | | | | | | | | | | | | | |
| 16 | 87832-1660 | 87832-1662 | 87832-5762 | | 1 | 1 | | | | | | | | | | | | | | | | | | | | | |
| | 87832-1620 | 87832-1622 | 87832-5722 | | 1 | 2 | | | | | | | | | | | | | | | | | | | | | |
| | 87832-1621 | 87832-1623 | 87832-5723 | | 1 | 3 | YES | N.A | YES | YES | YES | 18.65 | 16.85 | 14.00 | 10.00 | 12.00 | 17.00 | 0.15 | 3.60±0.20 | | | | | | | | |
| | 87832-1670 | 87832-1672 | 87832-5772 | 87832-5730 | 1 | 4 | | | | | | | | | | | | | | | | | | | | | |
| | 87832-1612 | 87832-1616 | 87832-1614 | | 1 | 2 | YES | N.A | YES | YES | N.A | | | | | | | | | | | | | 0.15 | 3.60±0.20 | 28.40 | |
| 87832-1619 | 87832-1645 | 87832-1635 | | 1 | 1 | | | | | | | | | | | | | | | | | | | | | | |
| | | | | | | | | | | | | | | | | | | | | | | | | | | | |
| 18 | 87832-1860 | 87832-1862 | 87832-5862 | | 1 | 1 | | | | | | | | | | | | | | | | | | | | | |
| | 87832-1820 | 87832-1822 | 87832-5822 | 87832-5830 | 1 | 2 | YES | N.A | YES | YES | YES | 20.65 | 18.85 | 16.00 | 12.00 | 14.00 | 19.00 | 0.15 | 3.60±0.20 | | | | | | | | |
| | 87832-1821 | 87832-1823 | 87832-5823 | | 1 | 3 | | | | | | | | | | | | | | | | | | | | | |
| | 87832-1870 | 87832-1872 | 87832-5872 | | 1 | 4 | | | | | | | | | | | | | | | | | | | | | |
| | 87832-1812 | 87832-1816 | 87832-1814 | | 3 | 2 | YES | N.A | YES | YES | N.A | | | | | | | | | | | | | 0.15 | 3.60±0.20 | | |
| 87832-1813 | 87832-1817 | 87832-1815 | | 3 | 3 | YES | N.A | YES | YES | N.A | | | | | | | | | | | | | 0.15 | 3.60±0.20 | | | |
| 20 | 87832-2060 | 87832-2062 | 87832-5962 | | 1 | 1 | | | | | | | | | | | | | | | | | | | | | |
| | 87832-2020 | 87832-2022 | 87832-5922 | 87832-5930 | 1 | 2 | | | | | | | | | | | | | | | | | | | | | |
| | 87832-2021 | 87832-2023 | 87832-5923 | | 1 | 3 | YES | N.A | YES | YES | YES | 22.65 | 20.85 | 18.00 | 14.00 | 16.00 | 21.00 | 0.15 | 3.60±0.20 | | | | | | | | |
| | | | 87832-2070 | 87832-2072 | 87832-9672 | | 1 | 4 | | | | | | | | | | | | | | | | | | | |
| | 87832-2012 | 87832-2016 | 87832-2014 | | 1 | 2 | YES | N.A | YES | YES | N.A | | | | | | | | | | | | | 0.15 | 3.60±0.20 | 40.40 | |
| | | | | | | | | | | | | | | | | | | | | | | | | | | | |
| | | | | | | | | | | | | | | | | | | | | | | | | | | | |
| 22 | 87832-2260 | 87832-2262 | 87832-6062 | | 1 | 1 | | | | | | | | | | | | | | | | | | | | | |
| | 87832-2220 | 87832-2222 | 87832-6022 | 87832-6030 | 1 | 2 | YES | N.A | YES | YES | YES | 24.65 | 22.85 | 20.00 | 16.00 | 18.00 | 23.00 | 0.15 | 3.60±0.20 | | | | | | | | |
| | 87832-2221 | 87832-2223 | 87832-6023 | A21 87832-6031 | 1 | 3 | | | | | | | | | | | | | | | | | | | | | |
| | 87832-2270 | 87832-2272 | 87832-6072 | | 1 | 4 | | | | | | | | | | | | | | | | | | | | | |
| | | | | | | | | | | | | | | | | | | | | | | | | | | | |
| 24 | 87832-2460 | 87832-2462 | 87832-6162 | | 1 | 1 | | | | | | | | | | | | | | | | | | | | | |
| | 87832-2420 | 87832-2422 | 87832-6122 | 87832-6130 | 1 | 2 | YES | N.A | YES | YES | YES | 26.65 | 24.85 | 22.00 | 18.00 | 20.00 | 25.00 | 0.15 | 3.60±0.20 | | | | | | | | |
| | 87832-2421 | 87832-2423 | 87832-6123 | | 1 | 3 | | | | | | | | | | | | | | | | | | | | | |
| | 87832-2470 | 87832-2472 | 87832-6172 | | 1 | 4 | | | | | | | | | | | | | | | | | | | | | |
| | 87832-2412 | 87832-2416 | 87832-2414 | | 1 | 2 | YES | N.A | YES | YES | N.A | | | | | | | | | | | | | 0.15 | 3.60±0.20 | | |
| | | | | | | | | | | | | | | | | | | | | | | | | | | | |

THIS DRAWING CONTAINS INFORMATION THAT IS PROPRIETARY TO MOLEX ELECTRONIC TECHNOLOGIES, LLC AND SHOULD NOT BE USED WITHOUT WRITTEN PERMISSION

PLATING OPTIONS:
 1 - 0.05-0.13µm/2-5µin GOLD IN CONTACT AREA AND 1.88µm/75µin MIN. MATTE TIN IN SOLDER TAIL AREA OVER 1.27µm/50µin MIN. NICKEL OVERALL.
 2 - 0.38µm/15µin MIN. GOLD IN CONTACT AREA AND 1.88µm/75µin MIN. MATTE TIN IN SOLDER TAIL AREA OVER 1.27µm/50µin MIN. NICKEL OVERALL.
 3 - 0.76µm/30µin MIN. GOLD IN CONTACT AREA AND 1.88µm/75µin MIN. MATTE TIN IN SOLDER TAIL AREA OVER 1.27µm/50µin MIN. NICKEL OVERALL.
 4 - 2.50µm/100µin MIN. MATTE TIN OVER 1.25µm/50µin MIN. NICKEL OVERALL.

| | | | | | | | |
|------------------------------------------------------|------------|-----------------|--------------|-----------------|------------------------|---------------------|------------|
| EC NO: 721932 | 2022/07/25 | DRWN: DANUSA | 2022/09/20 | CHK'D: DANUSA | 2022/09/20 | APPR: MIRAMAKRISHNA | 2022/09/20 |
| GENERAL TOLERANCES (UNLESS SPECIFIED) | | DIMENSION UNITS | | SCALE | | | |
| | | MM | INCH | MM | NTS | | |
| 4 PLACES ± | | | | DRWN BY | DATE | | |
| | | | | GMENARLY | 2015/05/22 | | |
| 3 PLACES ± | | | | CHK'D BY | DATE | | |
| | | | | CGOH | 2015/09/21 | | |
| 2 PLACES ± 0.2 | | | | APPR BY | DATE | | |
| | | | | KHLIM | 2015/09/22 | | |
| 1 PLACES ± | | | | DRAWING SIZE | THIRD ANGLE PROJECTION | | |
| | | | | A3 | | | |
| 0 PLACES ± | | | | | | | |
| ANGULAR TOL = 3.0 | | | | | | | |
| DRAFT WHERE APPLICABLE MUST REMAIN WITHIN DIMENSIONS | | | | | | | |
| A21 | | REV | | SERIES | | MATERIAL NUMBER | |
| | | | | 87832 | | SEE TABLE | |
| RELEASE STATUS | | P1 | RELEASE DATE | 2022/09/20 | 09:04:31 | CUSTOMER | |
| | | | | GENERAL MARKET | | | |
| | | | | DOCUMENT NUMBER | | DOC TYPE | |
| | | | | SD-87832-0001 | | PSD | |
| | | | | DOC PART | | SHEET NUMBER | |
| | | | | 001 | | 9 OF 13 | |


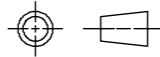
26 TO 38 CIRCUITS

| CKT SIZE | ASSY P/N WITHOUT CAP IN TUBE | ASSY P/N WITH CAP IN TUBE | ASSY P/N WITH CAP IN T&R | ASSY P/N WITHOUT CAP IN T&R | T&R OPTIONS (SEE SHEET 12) | PLATING OPTIONS | FRICTION LOCKS | | DUAL SIDE SLOTS | CENTER POLARIZATION | PEGS | DIMENSION | | | | | | | | | | | | | | | | | | |
|----------|------------------------------|---------------------------|--------------------------|-----------------------------|----------------------------|-----------------|----------------|--------|-----------------|---------------------|------|-----------|-------|-------|-------|-------|-------|------------|-----------|-----|-----|-----|--|--|--|--|--|--|------|-----------|
| | | | | | | | DUAL | CENTER | | | | A | B | C | D | E | F | G (COPLAN) | H | | | | | | | | | | | |
| E 26 | 87832-2660 | 87832-2662 | 87832-6262 | | 1 | 1 | YES | N.A | YES | YES | YES | 28.65 | 26.85 | 24.00 | 20.00 | 22.00 | 27.00 | 0.15 | 3.60±0.20 | | | | | | | | | | | |
| | 87832-2620 | 87832-2622 | 87832-6222 | | 1 | 2 | | | | | | | | | | | | | | | | | | | | | | | | |
| | 87832-2621 | 87832-2623 | 87832-6223 | | 1 | 3 | | | | | | | | | | | | | | | | | | | | | | | | |
| | 87832-2670 | 87832-2672 | 87832-6272 | | 1 | 4 | | | | | | | | | | | | YES | N.A | YES | YES | N.A | | | | | | | 0.15 | 3.60±0.20 |
| | 87832-2612 | 87832-2616 | N.A | | N.A | 2 | | | | | | | | | | | | | | | | | | | | | | | | |
| | 87832-2619 | 87832-2645 | 87832-2635 | | 1 | 1 | | | | | | | | | | | | | | | | | | | | | | | | |
| D 28 | 87832-2860 | 87832-2862 | 87832-6362 | | 1 | 1 | YES | N.A | YES | YES | YES | 30.65 | 28.85 | 26.00 | 22.00 | 24.00 | 29.00 | 0.15 | 3.60±0.20 | | | | | | | | | | | |
| | 87832-2820 | 87832-2822 | 87832-6322 | | 1 | 2 | | | | | | | | | | | | | | | | | | | | | | | | |
| | 87832-2821 | 87832-2823 | 87832-6323 | | 1 | 3 | | | | | | | | | | | | | | | | | | | | | | | | |
| | 87832-2870 | 87832-2872 | 87832-6372 | | 1 | 4 | | | | | | | | | | | | YES | N.A | YES | YES | N.A | | | | | | | 0.15 | 3.60±0.20 |
| | N.A | 87832-2816 | N.A | | 1 | 2 | | | | | | | | | | | | | | | | | | | | | | | | |
| | N.A | 87832-2819 | N.A | | 1 | 1 | | | | | | | | | | | | | | | | | | | | | | | | |
| D 30 | 87832-3060 | 87832-3062 | 87832-6462 | | 1 | 1 | YES | N.A | YES | YES | YES | 32.65 | 30.85 | 28.00 | 24.00 | 26.00 | 31.00 | 0.15 | 3.60±0.20 | | | | | | | | | | | |
| | 87832-3020 | 87832-3022 | 87832-6422 | | 1 | 2 | | | | | | | | | | | | | | | | | | | | | | | | |
| | 87832-3021 | 87832-3023 | 87832-6423 | | 1 | 3 | | | | | | | | | | | | | | | | | | | | | | | | |
| | 87832-3070 | 87832-3072 | 87832-6472 | | 1 | 4 | | | | | | | | | | | | YES | N.A | YES | YES | N.A | | | | | | | 0.15 | 3.60±0.20 |
| | 87832-3012 | 87832-3016 | 87832-3014 | | 3 | 2 | | | | | | | | | | | | | | | | | | | | | | | | |
| | | | | | | | | | | | | | | | | | | | | | | | | | | | | | | |
| C 32 | 87832-3260 | 87832-3262 | 87832-6562 | | 1 | 1 | YES | N.A | YES | YES | YES | 34.65 | 32.85 | 30.00 | 26.00 | 28.00 | 33.00 | 0.15 | 3.60±0.20 | | | | | | | | | | | |
| | 87832-3220 | 87832-3222 | 87832-6522 | | 1 | 2 | | | | | | | | | | | | | | | | | | | | | | | | |
| | 87832-3221 | 87832-3223 | 87832-6523 | | 1 | 3 | | | | | | | | | | | | | | | | | | | | | | | | |
| | 87832-3270 | 87832-3272 | 87832-6572 | | 1 | 4 | | | | | | | | | | | | | | | | | | | | | | | | |
| C 34 | 87832-3460 | 87832-3462 | 87832-6662 | 87832-6630 | 1 | 1 | YES | N.A | YES | YES | YES | 36.65 | 34.85 | 32.00 | 28.00 | 30.00 | 35.00 | 0.15 | 3.60±0.20 | | | | | | | | | | | |
| | 87832-3420 | 87832-3422 | 87832-6622 | | 1 | 2 | | | | | | | | | | | | | | | | | | | | | | | | |
| | 87832-3421 | 87832-3423 | 87832-6623 | | 1 | 3 | | | | | | | | | | | | | | | | | | | | | | | | |
| | 87832-3470 | 87832-3472 | 87832-6672 | | 1 | 4 | | | | | | | | | | | | YES | N.A | YES | YES | N.A | | | | | | | 0.15 | 3.60±0.20 |
| | 87832-3412 | 87832-3416 | 87832-3414 | | 3 | 2 | | | | | | | | | | | | | | | | | | | | | | | | |
| | 87832-3419 | 87832-3445 | 87832-3435 | | 3 | 1 | | | | | | | | | | | | | | | | | | | | | | | | |
| B 36 | 87832-3660 | 87832-3662 | N.A | | N.A | 1 | YES | N.A | YES | YES | YES | 38.65 | 36.85 | 34.00 | 30.00 | 32.00 | 37.00 | 0.15 | 3.60±0.20 | | | | | | | | | | | |
| | 87832-3620 | 87832-3622 | N.A | | N.A | 2 | | | | | | | | | | | | | | | | | | | | | | | | |
| | 87832-3621 | 87832-3623 | 87832-3673 | | N.A | 3 | | | | | | | | | | | | | | | | | | | | | | | | |
| | 87832-3670 | 87832-3672 | N.A | | N.A | 4 | | | | | | | | | | | | | | | | | | | | | | | | |
| B 38 | 87832-3860 | 87832-3862 | N.A | | N.A | 1 | YES | N.A | YES | YES | YES | 40.65 | 38.85 | 36.00 | 32.00 | 34.00 | 39.00 | 0.15 | 3.60±0.20 | | | | | | | | | | | |
| | 87832-3820 | 87832-3822 | 87832-6822 | | N.A | 2 | | | | | | | | | | | | | | | | | | | | | | | | |
| | 87832-3821 | 87832-3823 | 87832-3874 | | N.A | 3 | | | | | | | | | | | | | | | | | | | | | | | | |
| | 87832-3870 | 87832-3872 | N.A | | N.A | 4 | | | | | | | | | | | | | | | | | | | | | | | | |

PLATING OPTIONS:

- 0.05-0.13µm/2-5µin GOLD IN CONTACT AREA AND 1.88µm/75µin MIN. MATTE TIN IN SOLDER TAIL AREA OVER 1.27µm/50µin MIN. NICKEL OVERALL.
- 0.38µm/15µin MIN. GOLD IN CONTACT AREA AND 1.88µm/75µin MIN. MATTE TIN IN SOLDER TAIL AREA OVER 1.27µm/50µin MIN. NICKEL OVERALL.
- 0.76µm/30µin MIN. GOLD IN CONTACT AREA AND 1.88µm/75µin MIN. MATTE TIN IN SOLDER TAIL AREA OVER 1.27µm/50µin MIN. NICKEL OVERALL.
- 2.50µm/100µin MIN. MATTE TIN OVER 1.25µm/50µin MIN. NICKEL OVERALL.

THIS DRAWING CONTAINS INFORMATION THAT IS PROPRIETARY TO MOLEX ELECTRONIC TECHNOLOGIES, LLC AND SHOULD NOT BE USED WITHOUT WRITTEN PERMISSION

| | | | | | | | | | | | | | | |
|--------------------------------------------------------------------------|---------------------------------------|--------------|-----------------|---------------------------------------------------------------------------------------|-----------------|-------------------------------------------------------------------------|---------------------------------------------------------------------------------------|------------------------------------------------------|--------------------------|-----|----------|-----|--------------|----------|
| EC NO: 721932 DRWN: DANUSA CHK'D: DANUSA REV APPR: MRAMAKRISHNA | GENERAL TOLERANCES (UNLESS SPECIFIED) | | DIMENSION UNITS | | SCALE | |  | | | | | | | |
| | | | MM | INCH | MM | NTS | | MILLIGRID 2MM PITCH, SMT VERTICAL SHROUDED HEADER | | | | | | |
| | 4 PLACES ± | | DRWN BY | | DATE | | | | PRODUCT CUSTOMER DRAWING | | | | | |
| | 3 PLACES ± | | GMENARLY | | 2015/05/22 | | | | | | | | | |
| 2 PLACES ± 0.2 | | CHK'D BY | | DATE | | | | | | | | | | |
| 1 PLACES ± | | CGOH | | 2015/09/21 | | | | | | | | | | |
| 0 PLACES ± | | APPR BY | | DATE | | SERIES: 87832 MATERIAL NUMBER: SEE TABLE CUSTOMER: GENERAL MARKET | | | | | | | | |
| ANGULAR TOL = 3.0 | | KHLIM | | 2015/09/22 | | | | | | | | | | |
| DRAFT WHERE APPLICABLE MUST REMAIN WITHIN DIMENSIONS | | DRAWING SIZE | | THIRD ANGLE PROJECTION | | | | | | | | | | |
| | | A3 | |  | | | | | | | | | | |
| RELEASE STATUS | P1 | RELEASE DATE | 2022/09/20 | 09:04:31 | DOCUMENT NUMBER | | | SD-87832-0001 | DOC TYPE | PSD | DOC PART | 001 | SHEET NUMBER | 10 OF 13 |

40 TO 50 CIRCUITS

| CKT SIZE | ASSY P/N WITHOUT CAP IN TUBE | ASSY P/N WITH CAP IN TUBE | ASSY P/N WITH CAP IN T&R | ASSY P/N WITHOUT CAP IN T&R | T&R OPTIONS (SEE SHEET 12) | PLATING OPTIONS | FRICTION LOCKS | | DUAL SIDE SLOTS | CENTER POLARIZATION | PEGS | DIMENSION | | | | | | | |
|----------|------------------------------|---------------------------|--------------------------|-----------------------------|----------------------------|-----------------|----------------|--------|-----------------|---------------------|------|-----------|-------|-------|-------|-------|-------|------------|-----------|
| | | | | | | | DUAL | CENTER | | | | A | B | C | D | E | F | G (COPLAN) | H |
| 40 | 87832-4060 | 87832-4062 | 87832-6962 | | 1 | 1 | | | | | | 42.65 | 40.85 | 38.00 | 34.00 | 36.00 | 41.00 | 0.15 | 3.60±0.20 |
| | 87832-4020 | 87832-4022 | 87832-6922 | | 1 | 2 | YES | N.A | YES | YES | YES | | | | | | | | |
| | 87832-4021 | 87832-4023 | 87832-6923 | | 1 | 3 | | | | | | | | | | | | | |
| | 87832-4070 | 87832-4072 | 87832-6972 | | 1 | 4 | | | | | | | | | | | | | |
| | 87832-4012 | 87832-4016 | N.A | | N.A | 2 | YES | N.A | YES | YES | N.A | | | | | | | 0.15 | 3.60±0.20 |
| 42 | 87832-4260 | 87832-4262 | N.A | | N.A | 1 | YES | N.A | YES | YES | YES | 44.65 | 42.85 | 40.00 | 36.00 | 38.00 | 43.00 | 0.15 | 3.60±0.20 |
| | 87832-4220 | 87832-4222 | 87832-4230 | | N.A | 2 | | | | | | | | | | | | | |
| | 87832-4221 | 87832-4223 | N.A | | N.A | 3 | | | | | | | | | | | | | |
| | 87832-4270 | 87832-4272 | N.A | | N.A | 4 | | | | | | | | | | | | | |
| 44 | 87832-4460 | 87832-4462 | 87832-7162 | | 1 | 1 | YES | N.A | YES | YES | YES | 46.65 | 44.85 | 42.00 | 38.00 | 40.00 | 45.00 | 0.15 | 3.60±0.20 |
| | 87832-4420 | 87832-4422 | 87832-7122 | | 1 | 2 | | | | | | | | | | | | | |
| | 87832-4421 | 87832-4423 | 87832-7123 | | 1 | 3 | | | | | | | | | | | | | |
| | 87832-4470 | 87832-4472 | 87832-7172 | | 1 | 4 | | | | | | | | | | | | | |
| | 87832-4413 | 87832-4417 | 87832-4415 | | 3 | 3 | | | | | | | | | | | | YES | N.A |
| 46 | 87832-4660 | 87832-4662 | 87832-7262 | | 1 | 1 | YES | N.A | YES | YES | YES | 48.65 | 46.85 | 44.00 | 40.00 | 42.00 | 47.00 | 0.15 | 3.60±0.20 |
| | 87832-4620 | 87832-4622 | 87832-7222 | 87832-7230 | 1 | 2 | | | | | | | | | | | | | |
| | 87832-4621 | 87832-4623 | N.A | | N.A | 3 | | | | | | | | | | | | | |
| | 87832-4670 | 87832-4672 | 87832-7272 | | 1 | 4 | | | | | | | | | | | | | |
| 48 | 87832-4860 | 87832-4862 | N.A | | N.A | 1 | YES | N.A | YES | YES | YES | 50.65 | 48.85 | 46.00 | 42.00 | 44.00 | 49.00 | 0.15 | 3.60±0.20 |
| | 87832-4820 | 87832-4822 | N.A | | N.A | 2 | | | | | | | | | | | | | |
| | 87832-4821 | 87832-4823 | N.A | | N.A | 3 | | | | | | | | | | | | | |
| | 87832-4870 | 87832-4872 | N.A | | N.A | 4 | | | | | | | | | | | | | |
| 50 | 87832-5060 | 87832-5062 | 87832-7462 | | 1 | 1 | YES | N.A | YES | YES | YES | 52.65 | 50.85 | 48.00 | 44.00 | 46.00 | 51.00 | 0.15 | 3.60±0.20 |
| | 87832-5020 | 87832-5022 | 87832-7422 | | 1 | 2 | | | | | | | | | | | | | |
| | 87832-5021 | 87832-5023 | 87832-7423 | | 1 | 3 | | | | | | | | | | | | | |
| | 87832-5070 | 87832-5072 | 87832-7472 | | 1 | 4 | | | | | | | | | | | | | |
| | 87832-5012 | 87832-5016 | N.A | | N.A | 2 | YES | N.A | YES | YES | N.A | | | | | | | 0.15 | 3.60±0.20 |

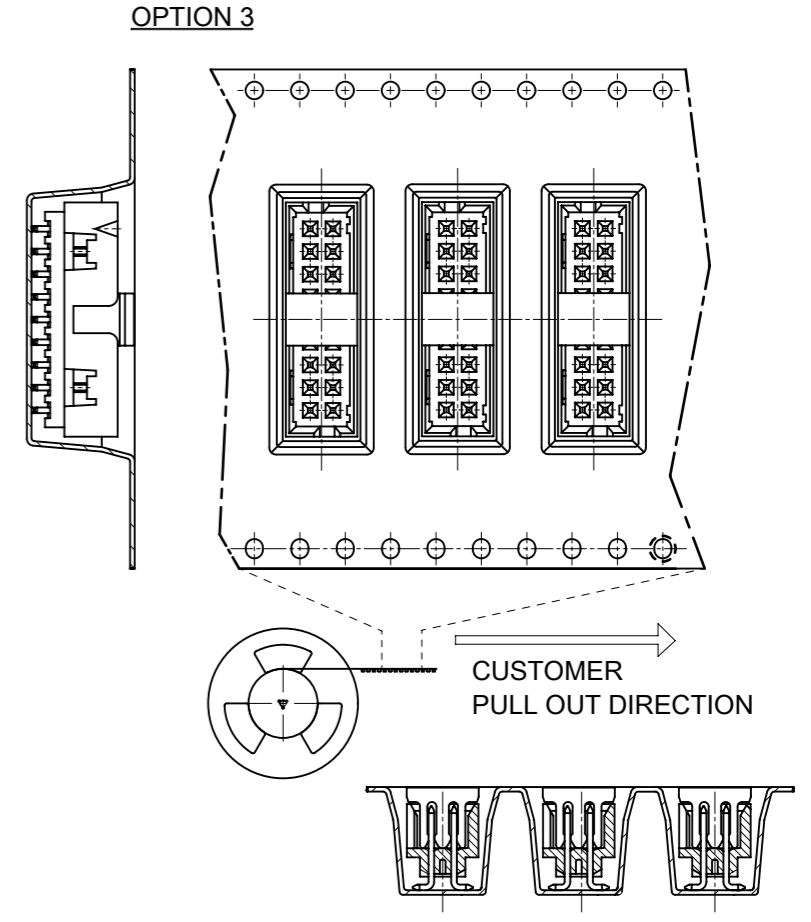
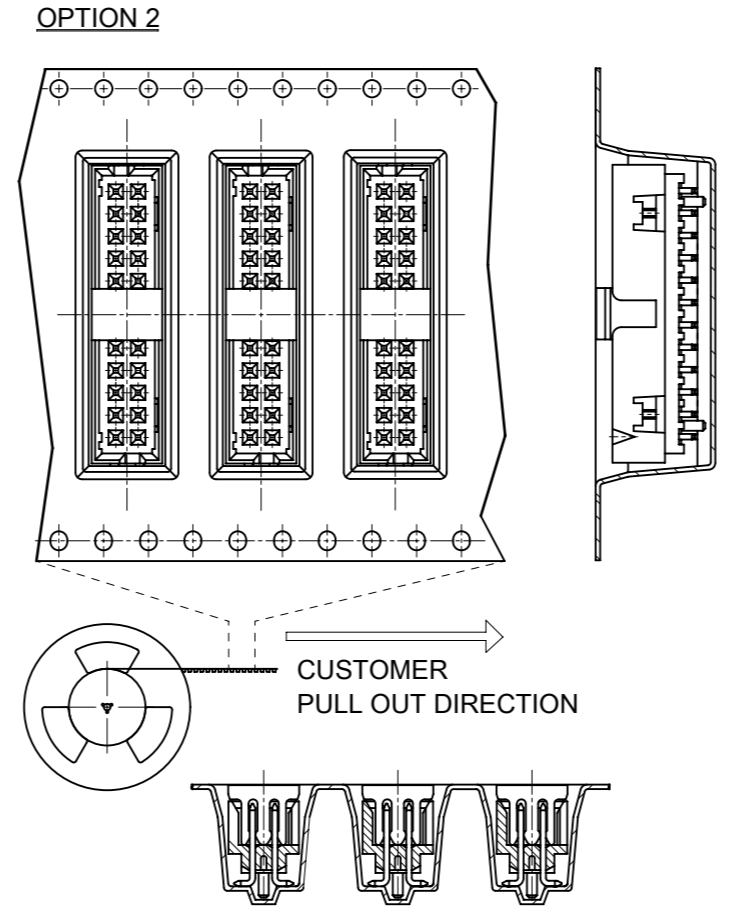
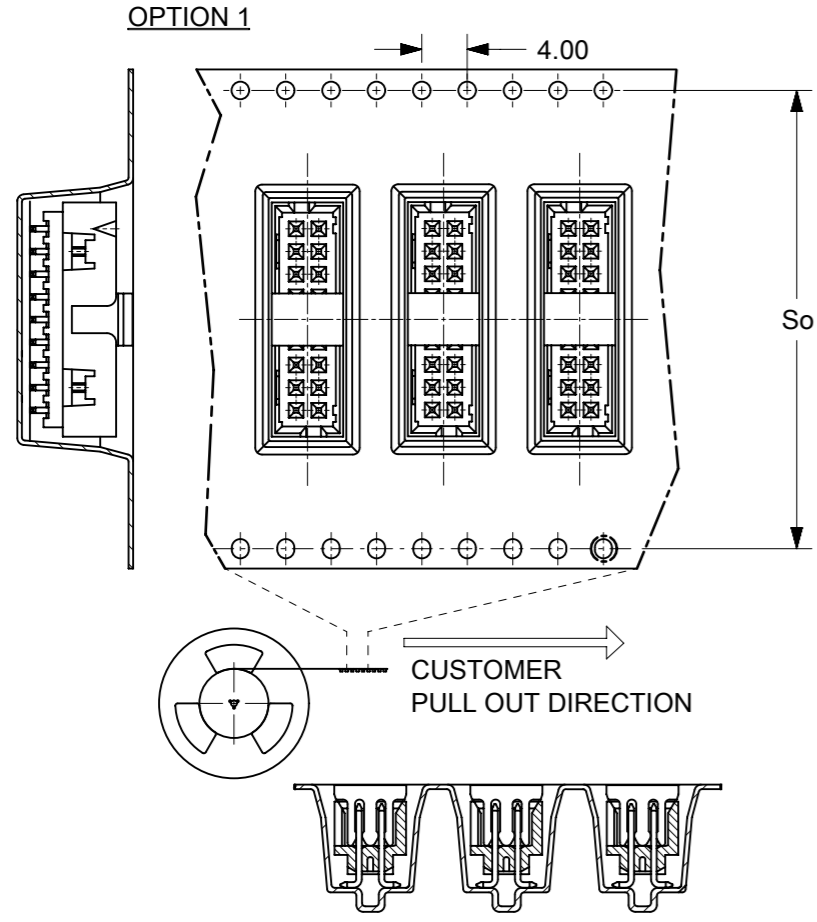
PLATING OPTIONS:

- 1 - 0.05-0.13µm/2-5µin GOLD IN CONTACT AREA AND 1.88µm/75µin MIN. MATTE TIN IN SOLDER TAIL AREA OVER 1.27µm/50µin MIN. NICKEL OVERALL.
- 2 - 0.38µm/15µin MIN. GOLD IN CONTACT AREA AND 1.88µm/75µin MIN. MATTE TIN IN SOLDER TAIL AREA OVER 1.27µm/50µin MIN. NICKEL OVERALL.
- 3 - 0.76µm/30µin MIN. GOLD IN CONTACT AREA AND 1.88µm/75µin MIN. MATTE TIN IN SOLDER TAIL AREA OVER 1.27µm/50µin MIN. NICKEL OVERALL.
- 4 - 2.50µm/100µin MIN. MATTE TIN OVER 1.25µm/50µin MIN. NICKEL OVERALL.

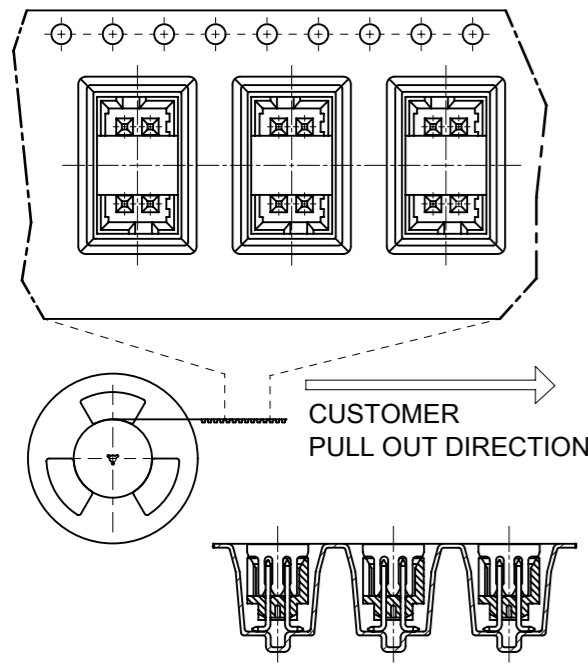
THIS DRAWING CONTAINS INFORMATION THAT IS PROPRIETARY TO MOLEX ELECTRONIC TECHNOLOGIES, LLC AND SHOULD NOT BE USED WITHOUT WRITTEN PERMISSION

| | | | | | | | | | | |
|--------------------------------------------------------------------------|---------------------------------------|----|-----------------|------------------------|--------------------------------------------------------------------------------------------|------------------------------------------------------|--|--|--|--|
| EC NO: 721932 DRWN: DANUSA CHKD: DANUSA REV APPR: MIRAMAKRISHNA | GENERAL TOLERANCES (UNLESS SPECIFIED) | | DIMENSION UNITS | | SCALE | | | | | |
| | | MM | INCH | MM | NTS | | | | | |
| | 4 PLACES | ± | ± | DRWN BY | DATE | MILLIGRID 2MM PITCH, SMT VERTICAL SHROUDED HEADER | | | | |
| | 3 PLACES | ± | ± | GMENARLY | 2015/05/22 | | | | | |
| 2 PLACES | ± 0.2 | ± | CHK'D BY | DATE | PRODUCT CUSTOMER DRAWING | | | | | |
| 1 PLACES | ± | ± | CGOH | 2015/09/21 | | | | | | |
| 0 PLACES | ± | ± | APPR BY | DATE | SERIES: 87832 MATERIAL NUMBER: SEE TABLE CUSTOMER: GENERAL MARKET | | | | | |
| ANGULAR TOL = 3.0 | | | KHLIM | 2015/09/22 | | | | | | |
| DRAFT WHERE APPLICABLE MUST REMAIN WITHIN DIMENSIONS | | | DRAWING SIZE | THIRD ANGLE PROJECTION | DOCUMENT NUMBER: SD-87832-0001 DOC TYPE: PSD DOC PART: 001 SHEET NUMBER: 11 OF 13 | | | | | |
| | | | A3 | | | | | | | |

PACKAGING OPTIONS



VIEW FOR 1 SIDE PILOT HOLE



PACKAGING SPECIFICATION TABLE

| | |
|------------------------------------------------------------------------------------------|--------------|
| TAPE AND REEL PACKAGING | PK-87832-300 |
| TUBE STANDARD PACKAGING | PK-87831-001 |
| TUBE NON-STANDARD PACKAGING FOR: 87832-0411 87832-0824 87832-1072 87832-1412 | PK-87831-002 |

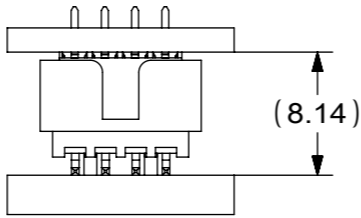
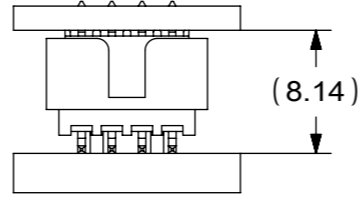
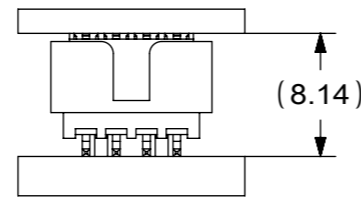
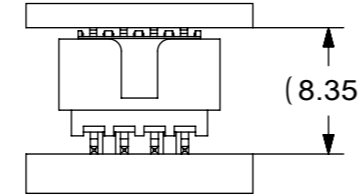
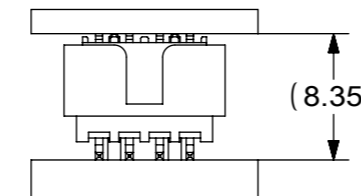
EMBOSSED TAPE & REEL POCKET DESCRIPTIONS


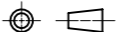
| OPTIONS | CENTER POLARIZATION OPTIONS | | PEG OPTIONS | | PILOT HOLE OPTIONS | |
|---------|-----------------------------|--------------|-------------|-------------|--------------------|----------|
| | ON THE LEFT | ON THE RIGHT | WITH PEG | WITHOUT PEG | 2 SIDES | 1 SIDE |
| 1 | YES | N.A | YES | N.A | CKT 12-50 | CKT 4-10 |
| 2 | N.A | YES | YES | YES | CKT 12-50 | CKT 4-10 |
| 3 | YES | N.A | N.A | YES | CKT 12-50 | CKT 4-10 |

THIS DRAWING CONTAINS INFORMATION THAT IS PROPRIETARY TO MOLEX ELECTRONIC TECHNOLOGIES, LLC AND SHOULD NOT BE USED WITHOUT WRITTEN PERMISSION

| | | | | | | | | |
|--------------------------------------------------------------------------|------------------------------------------------------|---------------------------------------|--------------|------------------------|-------------------------------------------------------------------------|---------------|------------------------------------------------------|------------------------|
| EC NO: 721932 DRWN: DANUSA CHK'D: DANUSA REV APPR: MRAMAKRISHNA | 2022/07/25 | GENERAL TOLERANCES (UNLESS SPECIFIED) | | DIMENSION UNITS | SCALE | | | |
| | 2022/09/20 | MM | INCH | MM | NTS | | | |
| | 2022/09/20 | 4 PLACES ± | ± | DRWN BY | DATE | | MILLIGRID 2MM PITCH, SMT VERTICAL SHROUDED HEADER | |
| | | 3 PLACES ± | ± | GMENARLY | 2015/05/22 | | | |
| | 2 PLACES ± 0.2 | ± | CHK'D BY | DATE | PRODUCT CUSTOMER DRAWING | | | |
| | 1 PLACES ± | ± | CGOH | 2015/09/21 | | | | |
| | 0 PLACES ± | ± | APPR BY | DATE | SERIES: 87832 MATERIAL NUMBER: SEE TABLE CUSTOMER: GENERAL MARKET | | | |
| | ANGULAR TOL = 3.0 | | KHLIM | 2015/09/22 | | | | |
| | DRAFT WHERE APPLICABLE MUST REMAIN WITHIN DIMENSIONS | | DRAWING SIZE | THIRD ANGLE PROJECTION | DOCUMENT NUMBER: SD-87832-0001 | DOC TYPE: PSD | DOC PART: 001 | SHEET NUMBER: 12 OF 13 |
| A21 | | | A3 | | | | | |

BOARD TO BOARD (BTB) DISTANCE

| HEADER | MATES WITH (RECEPTACLE) | BTB DIST. | PICTORIAL VIEW |
|--------|-------------------------|-----------|---------------------------------------------------------------------------------------|
| 87832 | 79107 | 8.14 |  |
| | 78787 | 8.14 |  |
| | 79108 | 8.14 |  |
| | 79109 | 8.35 |  |
| | 78788 | 8.35 |  |

| | | | | | | | | | | | | |
|-----------------------------------------------------------------------------------------------------------------------------------------------|--|-------|--|---------------------------------------------------------------------------------------|--|--|--|---------------------------------------------------------------------------------------|-------|----------|----------|-----------------|
| THIS DRAWING CONTAINS INFORMATION THAT IS PROPRIETARY TO MOLEX ELECTRONIC TECHNOLOGIES, LLC AND SHOULD NOT BE USED WITHOUT WRITTEN PERMISSION | | | | | | | | | | | | |
| DIMENSION UNITS | | SCALE | | CURRENT REV DESC: | | | |  | | | | |
| mm | | NTS | | | | | | | | | | |
| GENERAL TOLERANCES (UNLESS SPECIFIED) | | | | EC NO: 721932 | | | | MILLIGRID | | | | |
| | | | | DRWN: DANUSA 2022/07/25 | | | | 2MM PITCH, SMT VERTICAL SHROUDED HEADER | | | | |
| | | | | CHK'D: DANUSA 2022/09/20 | | | | | | | | |
| | | | | APPR: MRAMAKRISHNA 2022/09/20 | | | | PRODUCT CUSTOMER DRAWING | | | | |
| 4 PLACES ± | | | | INITIAL REVISION: | | | | DOCUMENT NUMBER | | DOC TYPE | DOC PART | REVISION |
| 3 PLACES ± | | | | DRWN: DRWN BY XXXX/XX/XX | | | | SD-87832-0001 | | PSD | 001 | A21 |
| 2 PLACES ± 0.2 | | | | APPR: APPR BY XXXX/XX/XX | | | | | | | | |
| 1 PLACE ± | | | | DRAFT WHERE APPLICABLE MUST REMAIN WITHIN DIMENSIONS | | | | THIRD ANGLE PROJECTION | | DRAWING | SERIES | MATERIAL NUMBER |
| 0 PLACES ± | | | |  | | | | A3-SIZE | 87832 | CUSTOMER | | SHEET NUMBER |
| ANGULAR TOL ± 3.0° | | | | | | | | GENERAL MARKET | | 13 OF 13 | | |