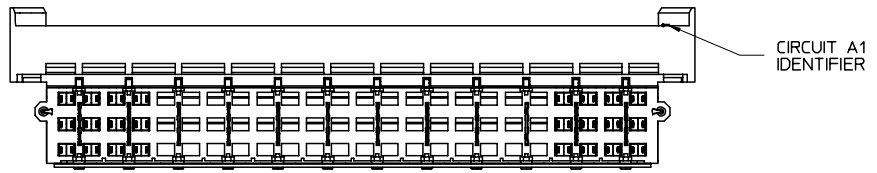
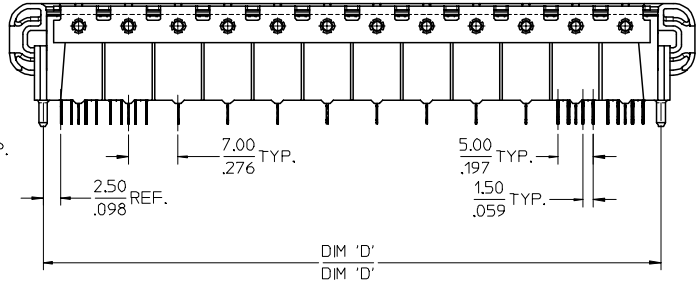
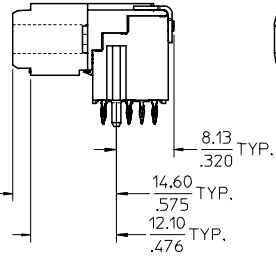
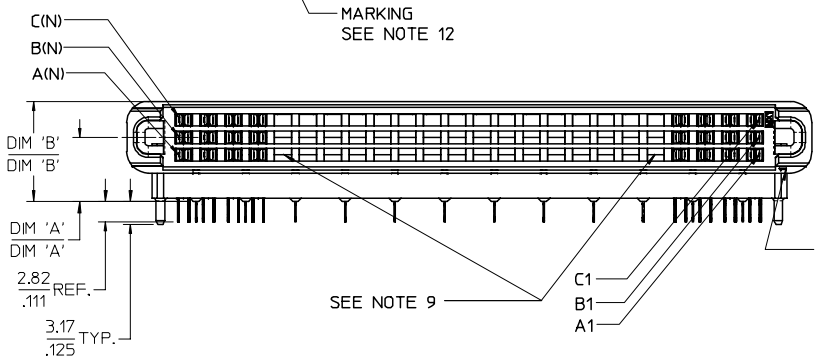
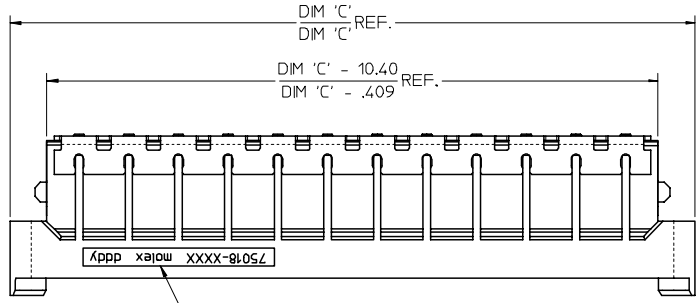


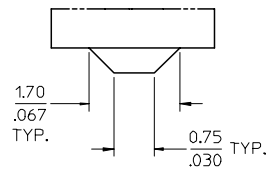
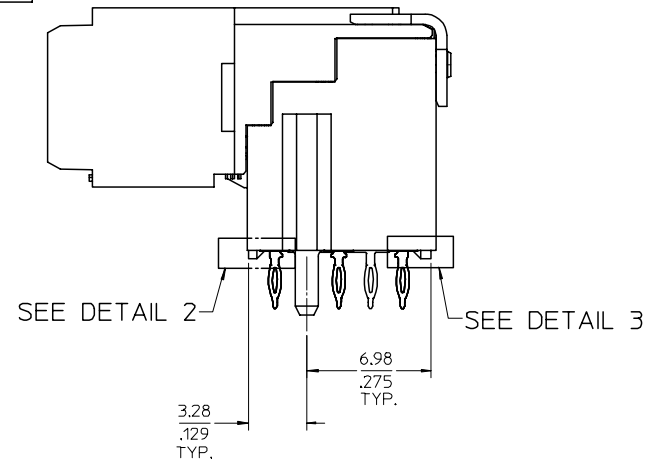
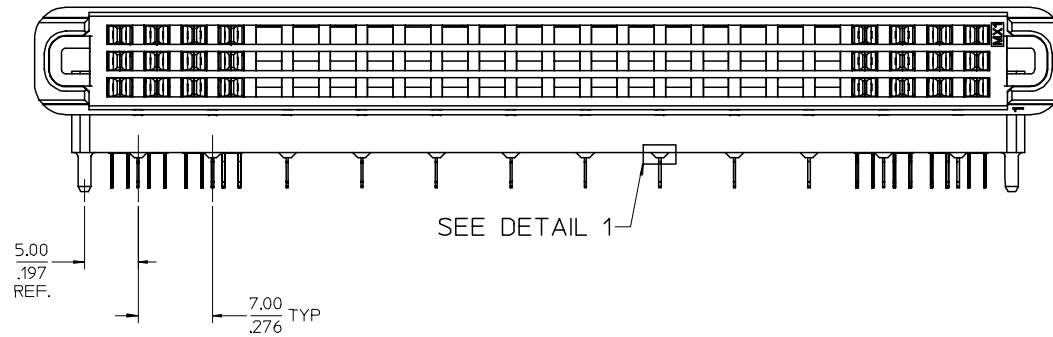
- NOTES:
- MATERIALS:
 - HOUSING - LIQUID CRYSTAL POLYMER, UL94 V-0
 - WAFER DIELECTRIC - LIQUID CRYSTAL POLYMER, UL94 V-0
 - CONTACT - COPPER ALLOY
 - FINISHES:
 - CONTACT INTERFACE
 - 0.76 MICROMETER MINIMUM SELECT GOLD
 - 1.27 MICROMETER MINIMUM NICKEL OVERALL
 - COMPLIANT INTERFACE
 - 0.76 MICROMETER MINIMUM SELECT TIN-LEAD OVER
 - 1.27 MICROMETER MINIMUM NICKEL OVERALL
 - HOUSING
 - 0.10 MICROMETER MAXIMUM IMMERSION GOLD OVER
 - 3.81 MICROMETER MINIMUM NICKEL OVER
 - 3.81 MICROMETER MINIMUM COPPER OVERALL
 - PRODUCT SPECIFICATION: THIS PART CONFORMS TO MOLEX SPECIFICATION PS-75018-001.
 - PACKAGING SPECIFICATION: THIS PART TO BE PACKAGED PER SPECIFICATION PK-75020-010.
 - APPLICATION SPECIFICATION: THIS PART TO BE APPLIED PER SPECIFICATION PS-75018-001, APPLICATION TOOL AND INSTRUCTIONS PER AS-75018-001.
 - MATING INFORMATION
 - THIS PART MATES WITH 75019-XXXX.
 - WILL MATE WITH MAXIMUM 1.27mm MIS-ALIGNMENT.
 - WILL MATE WITH MAXIMUM 0.5° MIS-ALIGNMENT.
 - FOR CIRCUIT DESIGNATION SEE SHEET 3
 - FOR PCB INFORMATION SEE SHEET 3
 - CIRCUITS IN THIS ZONE HAVE BEEN OMITTED TO SIMPLIFY THE MODEL. ACTUAL PRODUCT IS FULLY LOADED WITH TERMINALS.
 - APPLICATION TOOLING KEEP OUT AREA. NO COMPONENTS ALLOWED IN THIS AREA.
 - CONFORMS TO MOLEX COSMETIC SPECIFICATION PS-75005-002.
 - MARKING: PART NUMBER, MOLEX LOGO, DATE CODE
 - RECOMMENDED DRILL SIZE 0.66±0.03 TO YIELD FINISHED PLATED THROUGH HOLE OF 0.55±0.05



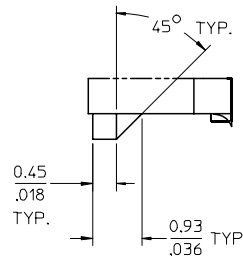
ADD VIEWS - SHT 2 EC NO: UCP2008-0339 DRWN:MSBARRAZ2007/09/04 CHKD:SDANNELL2007/09/14 APPR:SMILLER 2007/09/14	QUALITY SYMBOLS	GENERAL TOLERANCES (UNLESS SPECIFIED)	SCALE 2:1	DESIGN UNITS METRIC	THIRD ANGLE PROJECTION	REVISE ON CAD ONLY															
	▽=0 ◁=0	<table border="1"> <thead> <tr> <th></th> <th>mm</th> <th>INCH</th> </tr> </thead> <tbody> <tr> <td>4 PLACES</td> <td>±---</td> <td>±---</td> </tr> <tr> <td>3 PLACES</td> <td>±---</td> <td>±.005</td> </tr> <tr> <td>2 PLACES</td> <td>±0.13</td> <td>±.01</td> </tr> <tr> <td>1 PLACE</td> <td>±0.25</td> <td>±---</td> </tr> </tbody> </table> ANGULAR ±1/2°		mm	INCH	4 PLACES	±---	±---	3 PLACES	±---	±.005	2 PLACES	±0.13	±.01	1 PLACE	±0.25	±---	DIMENSION STYLE MM/IN DRAWN BY DATE LANG 03-OCT-29 CHECKED BY DATE LANG 03-OCT-29	TITLE	PLATEAU HS DOCK™ FIXED CONNECTOR NO GROUND FINGER	
		mm	INCH																		
	4 PLACES	±---	±---																		
3 PLACES	±---	±.005																			
2 PLACES	±0.13	±.01																			
1 PLACE	±0.25	±---																			
DRAFT WHERE APPLICABLE	MUST REMAIN WITHIN DIMENSIONS	APPROVED BY DATE	MOLEX INCORPORATED MATERIAL NO. DOCUMENT NO. SHEET NO. SEE SHEET 2 SD-75018-011 1 OF 3																		
REV	DESCRIPTION	THIS DRAWING CONTAINS INFORMATION THAT IS PROPRIETARY TO MOLEX INCORPORATED AND SHOULD NOT BE USED WITHOUT WRITTEN PERMISSION																			

ITEM NUMBER	CIRCUIT SIZE	NO. OF COLUMNS 'N'	CENTERLINE DIMENSION 'A' mm(in)	O/A HEIGHT DIMENSION 'B' mm(in)	O/A LENGTH DIMENSION 'C' mm(in)	PEG TO PEG DIMENSION 'D' mm(in)	FIRST-LAST DIMENSION 'E' mm(in)
75018-0021	144	48	4.74 (.187)	9.78 (.385)	96.50 (3.799)	87.00 (3.425)	82.00 (3.228)
75018-0022	144	48	5.74 (.226)	10.78 (.424)	96.50 (3.799)	87.00 (3.425)	82.00 (3.228)
75018-0023	144	48	8.74 (.344)	13.78 (.543)	96.50 (3.799)	87.00 (3.425)	82.00 (3.228)
75018-0026	120	40	4.74 (.187)	9.78 (.385)	82.50 (3.248)	73.00 (2.874)	68.00 (2.677)
75018-0024	108	36	4.74 (.187)	9.78 (.385)	75.50 (2.972)	66.00 (2.598)	61.00 (2.402)
75018-0025	108	36	8.74 (.344)	13.78 (.543)	75.50 (2.972)	66.00 (2.598)	61.00 (2.402)
75018-0027	108	36	5.74 (.226)	10.78 (.424)	75.50 (2.972)	66.00 (2.598)	61.00 (2.402)
75018-0029	120	40	5.74 (.226)	10.78 (.424)	82.50 (3.248)	73.00 (2.874)	68.00 (2.677)

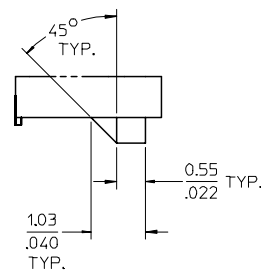
NOTE: THIS ITEM NUMBER HAS ONLY SIGNAL PINS



DETAIL 1
SCALE 15:1



DETAIL 2
SCALE 15:1



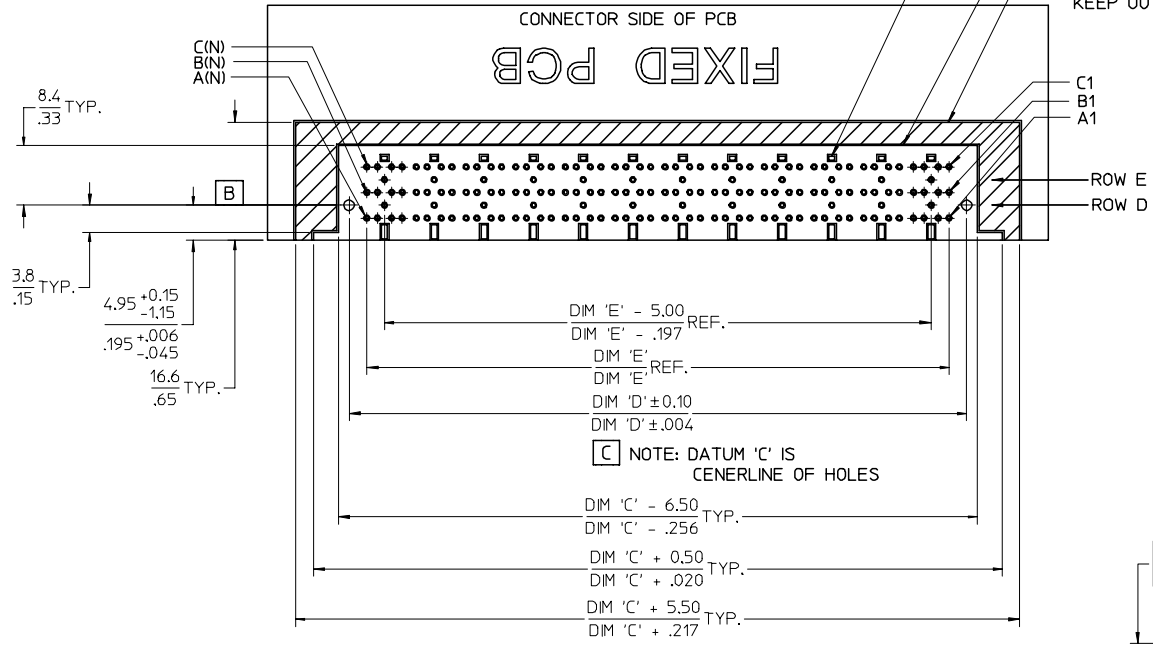
DETAIL 3
SCALE 15:1

ADD VIEWS EC NO: UCP2008-0339 DRWN: MSBARRAZ2007/09/04 CHKD: SDANNELL2007/09/14 APPR: SMILLER 2007/09/14	DESCRIPTION D	QUALITY SYMBOLS	GENERAL TOLERANCES (UNLESS SPECIFIED) 4 PLACES ± --- ± --- 3 PLACES ± --- ± .005 2 PLACES ± 0.13 ± .01 1 PLACE ± 0.25 ± --- ANGULAR ±1/2°	SCALE 3:1	DESIGN UNITS METRIC	THIRD ANGLE PROJECTION	REVISE ON CAD ONLY
		DIMENSION STYLE MM/IN		TITLE	PLATEAU HS DOCK™ FIXED CONNECTOR NO GROUND FINGER		
		DRAFT WHERE APPLICABLE MUST REMAIN WITHIN DIMENSIONS		DRAWN BY DATE LANG 03-OCT-29 CHECKED BY DATE LANG 03-OCT-29 APPROVED BY DATE BANAKIS 03-OCT-29	MATERIAL NO. SEE CHART	DOCUMENT NO. SD-75018-011	SHEET NO. 2 OF 3
		THIS DRAWING CONTAINS INFORMATION THAT IS PROPRIETARY TO MOLEX INCORPORATED AND SHOULD NOT BE USED WITHOUT WRITTEN PERMISSION					

J
I
H
G
F
E
D
C
B
A

J
I
H
G
F
E
D
C
B
A

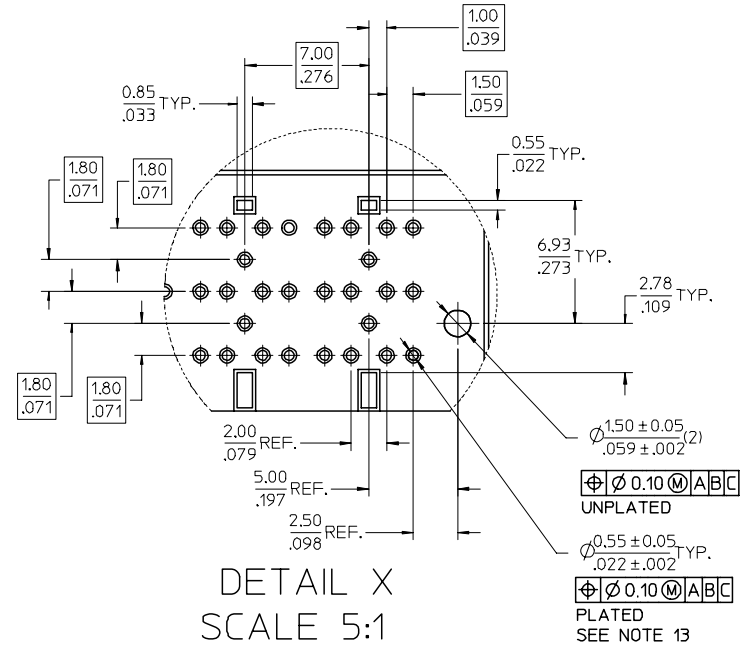
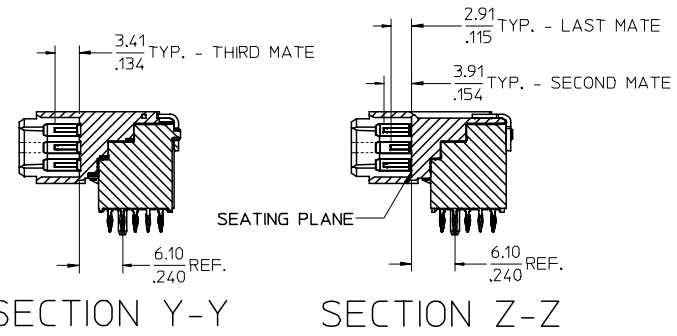
NO EXPOSED TRACES ON SURFACE OF PCB IN CONNECTOR STAND OFF LOCATIONS
CONNECTOR KEEP OUT AREA
APPLICATION TOOLING KEEP OUT AREA (NOTES 5 & 10)



CIRCUIT DESIGNATION
FIRST MATE: HOUSING - SIGNAL GROUND
SECOND MATE: A1, C1, A(N), C(N) (FOR POWER RETURN)
THIRD MATE: A2, B2, C2, A(N-1), B(N-1), C(N-1) & ALL OTHERS (A2, C2, A(N-1) & C(N-1) FOR POWER) (ALL OTHERS SIGNAL)
LAST MATE: B1, B(N) (FOR CARD DETECT)
ALL COLUMNS FROM 3 THROUGH (N-2) ARE SUITABLE FOR DIFFERENTIAL PAIRS
EG: A3-A4, B3-B4, C3-C4, A(N-2)-A(N-3), B(N-2)-B(N-3)
SIGNAL GROUND: ROWS D & E

NOMINAL WIPE - FULL SEATED

FIRST MATE: 5.2mm
SECOND MATE: 2.7mm
THIRD MATE: 2.2mm
LAST MATE: 1.7mm



UPDATE REV LEVEL EC NO: UCP2008-0339 DRWN: MSBARRAZ2007/09/04 CHKD: SDANNELL2007/09/14 APPR: SMILLER 2007/09/14	QUALITY SYMBOLS ▽ = 0 ◻ = 0	GENERAL TOLERANCES (UNLESS SPECIFIED)		SCALE 2:1	DESIGN UNITS METRIC	THIRD ANGLE PROJECTION	REVISE ON CAD ONLY	
				DIMENSION STYLE MM/IN		TITLE		
		4 PLACES ± --- ± ---	3 PLACES ± --- ± .005	DRAWN BY LANG	DATE 03-OCT-29	PLATEAU HS DOCK™ FIXED CONNECTOR NO GROUND FINGER		
		2 PLACES ± 0.13 ± .01	1 PLACE ± 0.25 ± ---	CHECKED BY LANG	DATE 03-OCT-29	MOLEX INCORPORATED		
	ANGULAR ± 1/2°	DRAFT WHERE APPLICABLE MUST REMAIN WITHIN DIMENSIONS		APPROVED BY BANAKIS	DATE 03-OCT-29	MATERIAL NO. SEE SHEET 2	DOCUMENT NO. SD-75018-011	
				THIS DRAWING CONTAINS INFORMATION THAT IS PROPRIETARY TO MOLEX INCORPORATED AND SHOULD NOT BE USED WITHOUT WRITTEN PERMISSION		SHEET NO. 3 OF 3		