

FOR ADDITIONAL INFORMATION SEE SD-33482-0001

ABBREVIATION	DESCRIPTION	COLOR	MATERIAL
A-BLACK	HOUSING, KEYING OPTION A	BLACK	SPS/NYLON GF20
B-LIGHT GRAY	HOUSING, KEYING OPTION B	LIGHT GRAY	SPS/NYLON GF20
C-BROWN	HOUSING, KEYING OPTION C	BROWN	SPS/NYLON GF20
D-GREEN	HOUSING, KEYING OPTION D	GREEN	SPS/NYLON GF20
C-DARK GRAY	HOUSING, KEYING OPTION C	DARK GRAY	SPS/NYLON GF20
D-STONE GRAY	HOUSING, KEYING OPTION D	STONE GRAY	SPS/NYLON GF20
A-YELLOW	HOUSING, KEYING OPTION A	YELLOW	SPS/NYLON GF20
GCP	GROMMET CAP (PLUGGED)	BLACK	SPS/NYLON GF20
GCO	GROMMET CAP (OPEN)	BLACK	SPS/NYLON GF20
PLR	PLR	NATURAL	SPS/NYLON GF20
M-R	MAT SEAL	RUST RED	INHERENTLY LUBRICATED SILICONE
M-B	MAT SEAL	ROYAL BLUE	INHERENTLY LUBRICATED SILICONE

ASSEMBLY DESCRIPTION	ASSEMBLY PART NUMBER	COMPONENT				BLOCKED TERMINALS				STATUS	COMMENT	OPTIONAL ATTACHMENTS SOLD SEPARATELY			
		THE PRESENCE OF AN ABBREVIATION INDICATES THE PRESENCE OF THAT COMPONENT				CAVITY WITH A NUMBER INDICATES BLOCKED TERMINAL POSITION CAVITY WITHOUT A NUMBER INDICATES OPEN TERMINAL POSITION						BACKSHELL WITH RIBS	BACKSHELL WITHOUT RIBS	90° ADAPTOR WITH RIBS	90° ADAPTOR WITHOUT RIBS
		HOUSING KEY/COLOR	GROMMET CAP	PLR	MAT SEAL										
MX150 ASSY BLD 2X4 BK A/8	334820801	A-BLACK	GCO	PLR	M-R	-	-	-	-	OBSOLETE	SEE 334824801	34950-0811	34950-0821	34951-0831	34951-0841
MX150 ASSY BLD 2X4 LG B/8	334820802	B-LIGHT GRAY	GCO	PLR	M-R	-	-	-	-	OBSOLETE	SEE 334824802	34950-0811	34950-0821	34951-0831	34951-0841
MX150 ASSY BLD 2X4 BR C/8	334820803	C-BROWN	GCO	PLR	M-R	-	-	-	-	OBSOLETE	SEE 334824852	34950-0811	34950-0821	34951-0831	34951-0841
MX150 ASSY BLD 2X4 GR D/8	334820804	D-GREEN	GCO	PLR	M-R	-	-	-	-	OBSOLETE	SEE 334824853	34950-0811	34950-0821	34951-0831	34951-0841
MX150 ASSY BLD 2X4 BK A/7	334820806	A-BLACK	GCP	PLR	M-R	-	-	-	4	OBSOLETE	SEE 334824806	34950-0811	34950-0821	34951-0831	34951-0841
MX150 ASSY BLD 2X4 LG B/7	334820807	B-LIGHT GRAY	GCP	PLR	M-R	-	-	-	4	OBSOLETE	SEE 334824807	34950-0811	34950-0821	34951-0831	34951-0841
MX150 ASSY BLD 2X4 BR C/7	334820808	C-BROWN	GCP	PLR	M-R	-	-	-	4	OBSOLETE	SEE 334824902	34950-0811	34950-0821	34951-0831	34951-0841
MX150 ASSY BLD 2X4 GR D/7	334820809	D-GREEN	GCP	PLR	M-R	-	-	-	4	OBSOLETE		34950-0811	34950-0821	34951-0831	34951-0841
MX150 ASSY BLD 2X4 BK A/6	334820811	A-BLACK	GCP	PLR	M-R	-	-	-	4	OBSOLETE	SEE 334824811	34950-0811	34950-0821	34951-0831	34951-0841
MX150 ASSY BLD 2X4 LG B/6	334820812	B-LIGHT GRAY	GCP	PLR	M-R	-	-	-	4	OBSOLETE	SEE 334824812	34950-0811	34950-0821	34951-0831	34951-0841
MX150 ASSY BLD 2X4 BR C/6	334820813	C-BROWN	GCP	PLR	M-R	-	-	-	4	OBSOLETE		34950-0811	34950-0821	34951-0831	34951-0841
MX150 ASSY BLD 2X4 GR D/6	334820814	D-GREEN	GCP	PLR	M-R	-	-	-	4	OBSOLETE		34950-0811	34950-0821	34951-0831	34951-0841
MX150 ASSY BLD 2X4 BK A/5	334820816	A-BLACK	GCP	PLR	M-R	1	-	-	4	OBSOLETE	SEE 334824816	34950-0811	34950-0821	34951-0831	34951-0841
MX150 ASSY BLD 2X4 LG B/5	334820817	B-LIGHT GRAY	GCP	PLR	M-R	1	-	-	4	OBSOLETE	SEE 334824817	34950-0811	34950-0821	34951-0831	34951-0841
MX150 ASSY BLD 2X4 BR C/5	334820818	C-BROWN	GCP	PLR	M-R	1	-	-	4	OBSOLETE		34950-0811	34950-0821	34951-0831	34951-0841
MX150 ASSY BLD 2X4 GR D/5	334820819	D-GREEN	GCP	PLR	M-R	1	-	-	4	OBSOLETE		34950-0811	34950-0821	34951-0831	34951-0841
MX150 ASSY BLD 2X4 BK A/4	334820821	A-BLACK	GCP	PLR	M-R	1	-	-	4	OBSOLETE	SEE 334824821	34950-0811	34950-0821	34951-0831	34951-0841

ASSEMBLY DESCRIPTION	ASSEMBLY PART NUMBER	COMPONENT				BLOCKED TERMINALS				STATUS	COMMENT	OPTIONAL ATTACHMENTS SOLD SEPARATELY			
		THE PRESENCE OF AN ABBREVIATION INDICATES THE PRESENCE OF THAT COMPONENT				CAVITY WITH A NUMBER INDICATES BLOCKED TERMINAL POSITION CAVITY WITHOUT A NUMBER INDICATES OPEN TERMINAL POSITION						BACKSHELL WITH RIBS	BACKSHELL WITHOUT RIBS	90° ADAPTOR WITH RIBS	90° ADAPTOR WITHOUT RIBS
		HOUSING KEY/COLOR	GROMMET CAP	PLR	MAT SEAL										
MX150 ASSY BLD 2X4 LG B/4	334820822	B-LIGHT GRAY	GCP	PLR	M-R	1	-	-	4	OBSOLETE	SEE 334824822	34950-0811	34950-0821	34951-0831	34951-0841
						5	-	-	8						
MX150 ASSY BLD 2X4 BR C/4	334820823	C-BROWN	GCP	PLR	M-R	1	-	-	4	OBSOLETE		34950-0811	34950-0821	34951-0831	34951-0841
						5	-	-	8						
MX150 ASSY BLD 2X4 GR D/4	334820824	D-GREEN	GCP	PLR	M-R	1	-	-	4	OBSOLETE		34950-0811	34950-0821	34951-0831	34951-0841
						5	-	-	8						
MX150 ASSY BLD 2X4 BK A/2	334820826	A-BLACK	GCP	PLR	M-R	1	2	3	-	OBSOLETE	SEE 334824826	34950-0811	34950-0821	34951-0831	34951-0841
						-	6	7	8						
MX150 ASSY BLD 2X4 BK A/7	334820827	A-BLACK	GCP	PLR	M-R	-	-	-	-	OBSOLETE	SEE 334824827	34950-0811	34950-0821	34951-0831	34951-0841
						-	-	-	8						
MX150 ASSY BLD 2X4 BK A/6	334820828	A-BLACK	GCP	PLR	M-R	-	-	3	-	OBSOLETE	SEE 334824828	34950-0811	34950-0821	34951-0831	34951-0841
						5	-	-	-						
MX150 ASSY BLD 2X4 BK A/2	334820829	A-BLACK	GCP	PLR	M-R	-	2	3	4	OBSOLETE	SEE 334824829	34950-0811	34950-0821	34951-0831	34951-0841
						5	6	7	-						
MX150 ASSY BLD 2X4 BK A/7	334820830	A-BLACK	GCP	PLR	M-R	-	-	-	-	OBSOLETE	SEE 334824830	34950-0811	34950-0821	34951-0831	34951-0841
						-	6	-	-						
MX150 ASSY BLD 2X4 BK A/5	334820831	A-BLACK	GCP	PLR	M-R	-	-	3	-	OBSOLETE	SEE 334824831	34950-0811	34950-0821	34951-0831	34951-0841
						5	6	-	-						
MX150 ASSY BLD 2X4 BK A/5	334820832	A-BLACK	GCP	PLR	M-R	-	-	-	-	OBSOLETE	SEE 334824832	34950-0811	34950-0821	34951-0831	34951-0841
						5	6	-	8						
MX150 ASSY BLD 2X4 BK A/5	334820833	A-BLACK	GCP	PLR	M-R	1	-	3	-	OBSOLETE	SEE 334824833	34950-0811	34950-0821	34951-0831	34951-0841
						5	-	-	-						
MX150 ASSY BLD 2X4 BK A/0	334820834	A-BLACK	GCP	PLR	M-R	1	2	3	4	OBSOLETE	SEE 334824834	34950-0811	34950-0821	34951-0831	34951-0841
						5	6	7	8						
MX150 ASSY BLD 2X4 BK A/6	334820835	A-BLACK	GCP	PLR	M-R	-	-	-	-	OBSOLETE	SEE 334824835	34950-0811	34950-0821	34951-0831	34951-0841
						-	-	7	8						
MX150 ASSY BLD 2X4 BK A/3	334820836	A-BLACK	GCP	PLR	M-R	-	2	3	-	OBSOLETE	SEE 334824836	34950-0811	34950-0821	34951-0831	34951-0841
						-	6	7	8						
MX150 ASSY BLD 2X4 BK A/6	334820837	A-BLACK	GCP	PLR	M-R	1	-	-	4	OBSOLETE	SEE 334824837	34950-0811	34950-0821	34951-0831	34951-0841
						-	-	-	-						
MX150 ASSY BLD 2X4 BK A/2	334820838	A-BLACK	GCP	PLR	M-R	-	2	3	-	OBSOLETE	SEE 334824838	34950-0811	34950-0821	34951-0831	34951-0841
						5	6	7	8						
MX150 ASSY BLD 2X4 LG B/7	334820839	B-LIGHT GRAY	GCP	PLR	M-R	-	-	-	-	OBSOLETE	SEE 334824839	34950-0811	34950-0821	34951-0831	34951-0841
						-	-	-	8						
MX150 ASSY BLD 2X4 BK A/3	334820840	A-BLACK	GCP	PLR	M-R	-	2	3	-	OBSOLETE	SEE 334824840	34950-0811	34950-0821	34951-0831	34951-0841
						5	6	-	8						
MX150 ASSY BLD 2X4 BK A/6	334820841	A-BLACK	GCP	PLR	M-R	-	-	-	-	OBSOLETE	SEE 334824841	34950-0811	34950-0821	34951-0831	34951-0841
						-	6	7	-						
MX150 ASSY BLD 2X4 BK A/7	334820842	A-BLACK	GCP	PLR	M-R	-	-	-	-	OBSOLETE	SEE 334824842	34950-0811	34950-0821	34951-0831	34951-0841
						-	-	7	-						
MX150 ASSY BLD 2X4 BK A/6	334820843	A-BLACK	GCP	PLR	M-R	-	-	-	4	OBSOLETE	SEE 334824843	34950-0811	34950-0821	34951-0831	34951-0841
						-	-	7	-						
MX150 ASSY BLD 2X4 BK A/6	334820844	A-BLACK	GCP	PLR	M-R	-	-	3	-	OBSOLETE	SEE 334824844	34950-0811	34950-0821	34951-0831	34951-0841
						-	6	-	-						
MX150 ASSY BLD 2X4 BK A/3	334820845	A-BLACK	GCP	PLR	M-R	-	2	3	4	OBSOLETE	SEE 334824845	34950-0811	34950-0821	34951-0831	34951-0841
						5	6	-	-						
MX150 ASSY BLD 2X4 BK A/4	334820846	A-BLACK	GCP	PLR	M-R	-	-	-	4	OBSOLETE	SEE 334824846	34950-0811	34950-0821	34951-0831	34951-0841
						5	-	7	8						
MX150 ASSY BLD 2X4 LG B/0	334820847	B-LIGHT GRAY	GCP	PLR	M-R	1	2	3	4	OBSOLETE	SEE 334824847	34950-0811	34950-0821	34951-0831	34951-0841
						5	6	7	8						
MX150 ASSY BLD 2X4 BK A/6	334820848	A-BLACK	GCP	PLR	M-R	1	-	-	-	OBSOLETE	SEE 334824848	34950-0811	34950-0821	34951-0831	34951-0841
						5	-	-	-						
MX150 ASSY BLD 2X4 LG B/6	334820849	B-LIGHT GRAY	GCP	PLR	M-R	1	-	-	-	OBSOLETE	SEE 334824849	34950-0811	34950-0821	34951-0831	34951-0841
						-	6	-	-						

ASSEMBLY DESCRIPTION	ASSEMBLY PART NUMBER	COMPONENT				BLOCKED TERMINALS				STATUS	COMMENT	OPTIONAL ATTACHMENTS SOLD SEPARATELY			
		THE PRESENCE OF AN ABBREVIATION INDICATES THE PRESENCE OF THAT COMPONENT				CAVITY WITH A NUMBER INDICATES BLOCKED TERMINAL POSITION CAVITY WITHOUT A NUMBER INDICATES OPEN TERMINAL POSITION						BACKSHELL WITH RIBS	BACKSHELL WITHOUT RIBS	90° ADAPTOR WITH RIBS	90° ADAPTOR WITHOUT RIBS
		HOUSING KEY/COLOR	GROMMET CAP	PLR	MAT SEAL										
MX150 ASSY BLD 2X4 YW A/6	334820850	A-YELLOW	GCP	PLR	M-R	1	-	-	4	OBSOLETE	SEE 334824850	34950-0811	34950-0821	34951-0831	34951-0841
MX150 ASSY BLD 2X4 YW A/8	334820851	A-YELLOW	GCO	PLR	M-R	-	-	-	-	OBSOLETE	SEE 334824851	34950-0811	34950-0821	34951-0831	34951-0841
MX150 ASSY BLD 2X4 DG C/8	334820852	C-DARK GRAY	GCO	PLR	M-R	-	-	-	-	OBSOLETE	SEE 334824852	34950-0811	34950-0821	34951-0831	34951-0841
MX150 ASSY BLD 2X4 SG D/8	334820853	D-STONE GRAY	GCO	PLR	M-R	-	-	-	-	OBSOLETE	SEE 334824853	34950-0811	34950-0821	34951-0831	34951-0841
MX150 ASSY BLD 2X4 BK A/4	334820854	A-BLACK	GCP	PLR	M-R	1	2	3	4	OBSOLETE	SEE 334824854	34950-0811	34950-0821	34951-0831	34951-0841
MX150 ASSY BLD 2X4 BK A/2	334820855	A-BLACK	GCP	PLR	M-R	1	2	-	-	OBSOLETE	SEE 334824855	34950-0811	34950-0821	34951-0831	34951-0841
MX150 ASSY BLD 2X4 BK A/6	334820856	A-BLACK	GCP	PLR	M-R	1	2	-	-	OBSOLETE	SEE 334824856	34950-0811	34950-0821	34951-0831	34951-0841
MX150 ASSY BLD 2X4 BK A/4	334820857	A-BLACK	GCP	PLR	M-R	1	2	3	-	OBSOLETE	SEE 334824857	34950-0811	34950-0821	34951-0831	34951-0841
MX150 ASSY BLD 2X4 BK A/2	334820858	A-BLACK	GCP	PLR	M-R	1	2	3	4	OBSOLETE	SEE 334824858	34950-0811	34950-0821	34951-0831	34951-0841
MX150 ASSY BLD 2X4 BK A/3	334820859	A-BLACK	GCP	PLR	M-R	1	-	3	-	OBSOLETE	SEE 334824859	34950-0811	34950-0821	34951-0831	34951-0841
MX150 ASSY BLD 2X4 BK A/2	334820860	A-BLACK	GCP	PLR	M-R	1	2	3	4	OBSOLETE	SEE 334824860	34950-0811	34950-0821	34951-0831	34951-0841
MX150 ASSY BLD 2X4 BK A/4	334820861	A-BLACK	GCP	PLR	M-R	1	2	3	-	OBSOLETE	SEE 334824861	34950-0811	34950-0821	34951-0831	34951-0841
MX150 ASSY BLD 2X4 BK A/6	334820862	A-BLACK	GCP	PLR	M-R	1	-	-	-	OBSOLETE	SEE 334824862	34950-0811	34950-0821	34951-0831	34951-0841
MX150 ASSY BLD 2X4 BK A/4	334820863	A-BLACK	GCP	PLR	M-R	1	-	-	-	OBSOLETE	SEE 334824863	34950-0811	34950-0821	34951-0831	34951-0841
MX150 ASSY BLD 2X4 BK A/2	334820864	A-BLACK	GCP	PLR	M-R	-	-	3	4	OBSOLETE	SEE 334824864	34950-0811	34950-0821	34951-0831	34951-0841
MX150 ASSY BLD 2X4 BK A/5	334820865	A-BLACK	GCP	PLR	M-R	-	-	-	4	OBSOLETE	SEE 334824865	34950-0811	34950-0821	34951-0831	34951-0841
MX150 ASSY BLD 2X4 BK A/3	334820866	A-BLACK	GCP	PLR	M-R	-	-	-	4	OBSOLETE	SEE 334824866	34950-0811	34950-0821	34951-0831	34951-0841
MX150 ASSY BLD 2X4 BK A/2	334820867	A-BLACK	GCP	PLR	M-R	-	2	3	4	OBSOLETE	SEE 334824867	34950-0811	34950-0821	34951-0831	34951-0841
MX150 ASSY BLD 2X4 BK A/5	334820868	A-BLACK	GCP	PLR	M-R	-	-	-	-	OBSOLETE	SEE 334824868	34950-0811	34950-0821	34951-0831	34951-0841
MX150 ASSY BLD 2X4 BK A/6	334820869	A-BLACK	GCP	PLR	M-R	5	6	7	-	OBSOLETE	SEE 334824869	34950-0811	34950-0821	34951-0831	34951-0841
MX150 ASSY BLD 2X4 BK A/5	334820870	A-BLACK	GCP	PLR	M-R	-	-	-	-	OBSOLETE	SEE 334824870	34950-0811	34950-0821	34951-0831	34951-0841
MX150 ASSY BLD 2X4 LG B/6	334820871	B-LIGHT GRAY	GCP	PLR	M-R	-	6	7	8	OBSOLETE	SEE 334824871	34950-0811	34950-0821	34951-0831	34951-0841
MX150 ASSY BLD 2X4 BK A/6	334820872	A-BLACK	GCP	PLR	M-R	1	-	-	-	OBSOLETE	SEE 334824872	34950-0811	34950-0821	34951-0831	34951-0841
MX150 ASSY BLD 2X4 BK A/6	334820873	A-BLACK	GCP	PLR	M-R	-	-	-	8	OBSOLETE	SEE 334824873	34950-0811	34950-0821	34951-0831	34951-0841
MX150 ASSY BLD 2X4 BK A/6	334820874	A-BLACK	GCP	PLR	M-R	-	6	-	8	OBSOLETE	SEE 334824873	34950-0811	34950-0821	34951-0831	34951-0841
MX150 ASSY BLD 2X4 BK A/6	334820874	A-BLACK	GCP	PLR	M-R	-	2	-	-	OBSOLETE	SEE 334824874	34950-0811	34950-0821	34951-0831	34951-0841
MX150 ASSY BLD 2X4 BK A/7	334820875	A-BLACK	GCP	PLR	M-R	5	-	-	-	OBSOLETE	SEE 334824875	34950-0811	34950-0821	34951-0831	34951-0841
MX150 ASSY BLD 2X4 LG B/5	334820876	B-LIGHT GRAY	GCP	PLR	M-R	1	-	3	-	OBSOLETE	SEE 334824876	34950-0811	34950-0821	34951-0831	34951-0841

ASSEMBLY DESCRIPTION	ASSEMBLY PART NUMBER	COMPONENT				BLOCKED TERMINALS				STATUS	COMMENT	OPTIONAL ATTACHMENTS SOLD SEPARATELY			
		THE PRESENCE OF AN ABBREVIATION INDICATES THE PRESENCE OF THAT COMPONENT				CAVITY WITH A NUMBER INDICATES BLOCKED TERMINAL POSITION CAVITY WITHOUT A NUMBER INDICATES OPEN TERMINAL POSITION						BACKSHELL WITH RIBS	BACKSHELL WITHOUT RIBS	90° ADAPTOR WITH RIBS	90° ADAPTOR WITHOUT RIBS
		HOUSING KEY/COLOR	GROMMET CAP	PLR	MAT SEAL										
MX150 ASSY BLD 2X4 LG B/6	334820877	B-LIGHT GRAY	GCP	PLR	M-R	-	-	3	-	OBSOLETE	SEE 334824877	34950-0811	34950-0821	34951-0831	34951-0841
MX150 ASSY BLD 2X4 LG B/7	334820878	B-LIGHT GRAY	GCP	PLR	M-R	1	-	-	-	OBSOLETE	SEE 334824878	34950-0811	34950-0821	34951-0831	34951-0841
MX150 ASSY BLD 2X4 BK A/2	334820879	A-BLACK	GCP	PLR	M-R	1	2	3	4	OBSOLETE	SEE 334824879	34950-0811	34950-0821	34951-0831	34951-0841
MX150 ASSY BLD 2X4 BK A/7	334820880	A-BLACK	GCP	PLR	M-R	1	-	-	-	OBSOLETE	SEE 334824880	34950-0811	34950-0821	34951-0831	34951-0841
MX150 ASSY BLD 2X4 BK A/6	334820881	A-BLACK	GCP	PLR	M-R	-	-	-	-	OBSOLETE	SEE 334824881	34950-0811	34950-0821	34951-0831	34951-0841
MX150 ASSY BLD 2X4 BK A/6	334820882	A-BLACK	GCP	PLR	M-R	-	-	-	4	OBSOLETE	SEE 334824882	34950-0811	34950-0821	34951-0831	34951-0841
MX150 ASSY BLD 2X4 BK A/6	334820883	A-BLACK	GCP	PLR	M-R	1	-	-	-	OBSOLETE	SEE 334824883	34950-0811	34950-0821	34951-0831	34951-0841
MX150 ASSY BLD 2X4 BK A/3	334820884	A-BLACK	GCP	PLR	M-R	1	2	3	4	OBSOLETE	SEE 334824884	34950-0811	34950-0821	34951-0831	34951-0841
MX150 ASSY BLD 2X4 BK A/3	334820885	A-BLACK	GCP	PLR	M-R	1	2	-	-	OBSOLETE	SEE 334824885	34950-0811	34950-0821	34951-0831	34951-0841
MX150 ASSY BLD 2X4 BK A/5	334820886	A-BLACK	GCP	PLR	M-R	-	2	3	-	OBSOLETE	SEE 334824886	34950-0811	34950-0821	34951-0831	34951-0841
MX150 ASSY BLD 2X4 BK A/3	334820887	A-BLACK	GCP	PLR	M-R	1	-	3	4	OBSOLETE	SEE 334824887	34950-0811	34950-0821	34951-0831	34951-0841
MX150 ASSY BLD 2X4 BK A/5	334820888	A-BLACK	GCP	PLR	M-R	-	-	-	4	OBSOLETE	SEE 334824888	34950-0811	34950-0821	34951-0831	34951-0841
MX150 ASSY BLD 2X4 BK A/2	334820889	A-BLACK	GCP	PLR	M-R	1	2	-	4	OBSOLETE	SEE 334824889	34950-0811	34950-0821	34951-0831	34951-0841
MX150 ASSY BLD 2X4 BK A/4	334820892	A-BLACK	GCP	PLR	M-R	-	2	3	-	OBSOLETE	SEE 334824892	34950-0811	34950-0821	34951-0831	34951-0841
MX150 ASSY BLD 2X4 BK A/1	334820893	A-BLACK	GCP	PLR	M-R	1	2	3	4	OBSOLETE	SEE 334824893	34950-0811	34950-0821	34951-0831	34951-0841
MX150 ASSY BLD 2X4 BK A/4	334820894	A-BLACK	GCP	PLR	M-R	-	-	3	4	OBSOLETE	SEE 334824894	34950-0811	34950-0821	34951-0831	34951-0841
MX150 ASSY BLD 2X4 BK A/6	334820895	A-BLACK	GCP	PLR	M-R	-	-	3	-	OBSOLETE	SEE 334824895	34950-0811	34950-0821	34951-0831	34951-0841
MX150 ASSY BLD 2X4 BK A/3	334820896	A-BLACK	GCP	PLR	M-R	1	2	-	4	OBSOLETE	SEE 334824896	34950-0811	34950-0821	34951-0831	34951-0841
MX150 ASSY BLD 2X4 BK A/5	334820897	A-BLACK	GCP	PLR	M-R	-	-	-	4	OBSOLETE	SEE 334824897	34950-0811	34950-0821	34951-0831	34951-0841
MX150 ASSY BLD 2X4 BK A/7	334820898	A-BLACK	GCP	PLR	M-R	-	2	-	-	OBSOLETE	SEE 334824898	34950-0811	34950-0821	34951-0831	34951-0841
MX150 ASSY BLD 2X4 BK A/1	334820899	A-BLACK	GCP	PLR	M-R	1	-	3	4	OBSOLETE	SEE 334824899	34950-0811	34950-0821	34951-0831	34951-0841
MX150 ASSY BLD 2X4 BK A/8	334824801	A-BLACK	GCO	PLR	M-B	-	-	-	-	SALEABLE		34950-0811	34950-0821	34951-0831	34951-0841
MX150 ASSY BLD 2X4 LG B/8	334824802	B-LIGHT GRAY	GCO	PLR	M-B	-	-	-	-	SALEABLE		34950-0811	34950-0821	34951-0831	34951-0841
MX150 ASSY BLD 2X4 BR C/8	334824803	C-BROWN	GCO	PLR	M-B	-	-	-	-	NOT RECOMMENDED	SEE 334824852	34950-0811	34950-0821	34951-0831	34951-0841
MX150 ASSY BLD 2X4 GR D/8	334824804	D-GREEN	GCO	PLR	M-B	-	-	-	-	NOT RECOMMENDED	SEE 334824853	34950-0811	34950-0821	34951-0831	34951-0841
MX150 ASSY BLD 2X4 BK A/7	334824806	A-BLACK	GCP	PLR	M-B	-	-	-	4	SALEABLE		34950-0811	34950-0821	34951-0831	34951-0841
MX150 ASSY BLD 2X4 LG B/7	334824807	B-LIGHT GRAY	GCP	PLR	M-B	-	-	-	4	SALEABLE		34950-0811	34950-0821	34951-0831	34951-0841

ASSEMBLY DESCRIPTION	ASSEMBLY PART NUMBER	COMPONENT				BLOCKED TERMINALS				STATUS	COMMENT	OPTIONAL ATTACHMENTS SOLD SEPARATELY			
		THE PRESENCE OF AN ABBREVIATION INDICATES THE PRESENCE OF THAT COMPONENT				CAVITY WITH A NUMBER INDICATES BLOCKED TERMINAL POSITION CAVITY WITHOUT A NUMBER INDICATES OPEN TERMINAL POSITION						BACKSHELL WITH RIBS	BACKSHELL WITHOUT RIBS	90° ADAPTOR WITH RIBS	90° ADAPTOR WITHOUT RIBS
		HOUSING KEY/COLOR	GROMMET CAP	PLR	MAT SEAL										
MX150 ASSY BLD 2X4 BR C/7	334824808	C-BROWN	GCP	PLR	M-B	-	-	-	4	NOT RECOMMENDED	SEE 334824902	34950-0811	34950-0821	34951-0831	34951-0841
MX150 ASSY BLD 2X4 GR D/7	334824809	D-GREEN	GCP	PLR	M-B	-	-	-	4	NOT RECOMMENDED		34950-0811	34950-0821	34951-0831	34951-0841
MX150 ASSY BLD 2X4 BK A/6	334824811	A-BLACK	GCP	PLR	M-B	-	-	-	4	SALEABLE		34950-0811	34950-0821	34951-0831	34951-0841
						5	-	-	-						
MX150 ASSY BLD 2X4 LG B/6	334824812	B-LIGHT GRAY	GCP	PLR	M-B	-	-	-	4	SALEABLE		34950-0811	34950-0821	34951-0831	34951-0841
						5	-	-	-						
MX150 ASSY BLD 2X4 BR C/6	334824813	C-BROWN	GCP	PLR	M-B	-	-	-	4	NOT RECOMMENDED		34950-0811	34950-0821	34951-0831	34951-0841
						5	-	-	-						
MX150 ASSY BLD 2X4 GR D/6	334824814	D-GREEN	GCP	PLR	M-B	-	-	-	4	NOT RECOMMENDED		34950-0811	34950-0821	34951-0831	34951-0841
						5	-	-	-						
MX150 ASSY BLD 2X4 BK A/5	334824816	A-BLACK	GCP	PLR	M-B	1	-	-	4	SALEABLE		34950-0811	34950-0821	34951-0831	34951-0841
						5	-	-	-						
MX150 ASSY BLD 2X4 LG B/5	334824817	B-LIGHT GRAY	GCP	PLR	M-B	1	-	-	4	SALEABLE		34950-0811	34950-0821	34951-0831	34951-0841
						5	-	-	-						
MX150 ASSY BLD 2X4 BR C/5	334824818	C-BROWN	GCP	PLR	M-B	1	-	-	4	NOT RECOMMENDED		34950-0811	34950-0821	34951-0831	34951-0841
						5	-	-	-						
MX150 ASSY BLD 2X4 GR D/5	334824819	D-GREEN	GCP	PLR	M-B	1	-	-	4	NOT RECOMMENDED		34950-0811	34950-0821	34951-0831	34951-0841
						5	-	-	-						
MX150 ASSY BLD 2X4 BK A/4	334824821	A-BLACK	GCP	PLR	M-B	1	-	-	4	SALEABLE		34950-0811	34950-0821	34951-0831	34951-0841
						5	-	-	8						
MX150 ASSY BLD 2X4 LG B/4	334824822	B-LIGHT GRAY	GCP	PLR	M-B	1	-	-	4	SALEABLE		34950-0811	34950-0821	34951-0831	34951-0841
						5	-	-	8						
MX150 ASSY BLD 2X4 BR C/4	334824823	C-BROWN	GCP	PLR	M-B	1	-	-	4	NOT RECOMMENDED		34950-0811	34950-0821	34951-0831	34951-0841
						5	-	-	8						
MX150 ASSY BLD 2X4 GR D/4	334824824	D-GREEN	GCP	PLR	M-B	1	-	-	4	NOT RECOMMENDED		34950-0811	34950-0821	34951-0831	34951-0841
						5	-	-	8						
MX150 ASSY BLD 2X4 BK A/2	334824826	A-BLACK	GCP	PLR	M-B	1	2	3	-	SALEABLE		34950-0811	34950-0821	34951-0831	34951-0841
						-	6	7	8						
MX150 ASSY BLD 2X4 BK A/7	334824827	A-BLACK	GCP	PLR	M-B	-	-	-	-	SALEABLE		34950-0811	34950-0821	34951-0831	34951-0841
						-	-	-	8						
MX150 ASSY BLD 2X4 BK A/6	334824828	A-BLACK	GCP	PLR	M-B	-	-	3	-	SALEABLE		34950-0811	34950-0821	34951-0831	34951-0841
						5	-	-	-						
MX150 ASSY BLD 2X4 BK A/2	334824829	A-BLACK	GCP	PLR	M-B	-	2	3	4	SALEABLE		34950-0811	34950-0821	34951-0831	34951-0841
						5	6	7	-						
MX150 ASSY BLD 2X4 BK A/7	334824830	A-BLACK	GCP	PLR	M-B	-	-	-	-	SALEABLE		34950-0811	34950-0821	34951-0831	34951-0841
						-	6	-	-						
MX150 ASSY BLD 2X4 BK A/5	334824831	A-BLACK	GCP	PLR	M-B	-	-	3	-	SALEABLE		34950-0811	34950-0821	34951-0831	34951-0841
						5	6	-	-						
MX150 ASSY BLD 2X4 BK A/5	334824832	A-BLACK	GCP	PLR	M-B	-	-	-	-	SALEABLE		34950-0811	34950-0821	34951-0831	34951-0841
						5	6	-	8						
MX150 ASSY BLD 2X4 BK A/5	334824833	A-BLACK	GCP	PLR	M-B	1	-	3	-	SALEABLE		34950-0811	34950-0821	34951-0831	34951-0841
						5	-	-	-						
MX150 ASSY BLD 2X4 BK A/0	334824834	A-BLACK	GCP	PLR	M-B	1	2	3	4	SALEABLE		34950-0811	34950-0821	34951-0831	34951-0841
						5	6	7	8						
MX150 ASSY BLD 2X4 BK A/6	334824835	A-BLACK	GCP	PLR	M-B	-	-	-	-	SALEABLE		34950-0811	34950-0821	34951-0831	34951-0841
						-	-	7	8						
MX150 ASSY BLD 2X4 BK A/3	334824836	A-BLACK	GCP	PLR	M-B	-	2	3	-	SALEABLE		34950-0811	34950-0821	34951-0831	34951-0841
						-	6	7	8						
MX150 ASSY BLD 2X4 BK A/6	334824837	A-BLACK	GCP	PLR	M-B	1	-	-	4	SALEABLE		34950-0811	34950-0821	34951-0831	34951-0841
						-	-	-	-						
MX150 ASSY BLD 2X4 BK A/2	334824838	A-BLACK	GCP	PLR	M-B	-	2	3	-	SALEABLE		34950-0811	34950-0821	34951-0831	34951-0841
						5	6	7	8						

ASSEMBLY DESCRIPTION	ASSEMBLY PART NUMBER	COMPONENT				BLOCKED TERMINALS				STATUS	COMMENT	OPTIONAL ATTACHMENTS SOLD SEPARATELY			
		THE PRESENCE OF AN ABBREVIATION INDICATES THE PRESENCE OF THAT COMPONENT				CAVITY WITH A NUMBER INDICATES BLOCKED TERMINAL POSITION CAVITY WITHOUT A NUMBER INDICATES OPEN TERMINAL POSITION						BACKSHELL WITH RIBS	BACKSHELL WITHOUT RIBS	90° ADAPTOR WITH RIBS	90° ADAPTOR WITHOUT RIBS
		HOUSING KEY/COLOR	GROMMET CAP	PLR	MAT SEAL										
MX150 ASSY BLD 2X4 LG B/7	334824839	B-LIGHT GRAY	GCP	PLR	M-B	-	-	-	-	SALEABLE		34950-0811	34950-0821	34951-0831	34951-0841
MX150 ASSY BLD 2X4 BK A/3	334824840	A-BLACK	GCP	PLR	M-B	-	2	3	-	SALEABLE		34950-0811	34950-0821	34951-0831	34951-0841
MX150 ASSY BLD 2X4 BK A/6	334824841	A-BLACK	GCP	PLR	M-B	-	-	-	-	SALEABLE		34950-0811	34950-0821	34951-0831	34951-0841
MX150 ASSY BLD 2X4 BK A/7	334824842	A-BLACK	GCP	PLR	M-B	-	-	-	-	SALEABLE		34950-0811	34950-0821	34951-0831	34951-0841
MX150 ASSY BLD 2X4 BK A/6	334824843	A-BLACK	GCP	PLR	M-B	-	-	-	4	SALEABLE		34950-0811	34950-0821	34951-0831	34951-0841
MX150 ASSY BLD 2X4 BK A/6	334824844	A-BLACK	GCP	PLR	M-B	-	-	3	-	SALEABLE		34950-0811	34950-0821	34951-0831	34951-0841
MX150 ASSY BLD 2X4 BK A/3	334824845	A-BLACK	GCP	PLR	M-B	-	2	3	4	SALEABLE		34950-0811	34950-0821	34951-0831	34951-0841
MX150 ASSY BLD 2X4 BK A/4	334824846	A-BLACK	GCP	PLR	M-B	-	-	-	4	SALEABLE		34950-0811	34950-0821	34951-0831	34951-0841
MX150 ASSY BLD 2X4 LG B/0	334824847	B-LIGHT GRAY	GCP	PLR	M-B	1	2	3	4	SALEABLE		34950-0811	34950-0821	34951-0831	34951-0841
MX150 ASSY BLD 2X4 BK A/6	334824848	A-BLACK	GCP	PLR	M-B	1	-	-	-	SALEABLE		34950-0811	34950-0821	34951-0831	34951-0841
MX150 ASSY BLD 2X4 LG B/6	334824849	B-LIGHT GRAY	GCP	PLR	M-B	1	-	-	-	SALEABLE		34950-0811	34950-0821	34951-0831	34951-0841
MX150 ASSY BLD 2X4 YW A/6	334824850	A-YELLOW	GCP	PLR	M-B	1	-	-	4	SALEABLE		34950-0811	34950-0821	34951-0831	34951-0841
MX150 ASSY BLD 2X4 YW A/8	334824851	A-YELLOW	GCO	PLR	M-B	-	-	-	-	SALEABLE		34950-0811	34950-0821	34951-0831	34951-0841
MX150 ASSY BLD 2X4 DG C/8	334824852	C-DARK GRAY	GCO	PLR	M-B	-	-	-	-	SALEABLE		34950-0811	34950-0821	34951-0831	34951-0841
MX150 ASSY BLD 2X4 SG D/8	334824853	D-STONE GRAY	GCO	PLR	M-B	-	-	-	-	SALEABLE		34950-0811	34950-0821	34951-0831	34951-0841
MX150 ASSY BLD 2X4 BK A/4	334824854	A-BLACK	GCP	PLR	M-B	1	2	3	4	SALEABLE		34950-0811	34950-0821	34951-0831	34951-0841
MX150 ASSY BLD 2X4 BK A/2	334824855	A-BLACK	GCP	PLR	M-B	1	2	-	-	SALEABLE		34950-0811	34950-0821	34951-0831	34951-0841
MX150 ASSY BLD 2X4 BK A/6	334824856	A-BLACK	GCP	PLR	M-B	1	2	-	-	SALEABLE		34950-0811	34950-0821	34951-0831	34951-0841
MX150 ASSY BLD 2X4 BK A/4	334824857	A-BLACK	GCP	PLR	M-B	1	2	3	-	SALEABLE		34950-0811	34950-0821	34951-0831	34951-0841
MX150 ASSY BLD 2X4 BK A/2	334824858	A-BLACK	GCP	PLR	M-B	1	2	3	4	SALEABLE		34950-0811	34950-0821	34951-0831	34951-0841
MX150 ASSY BLD 2X4 BK A/3	334824859	A-BLACK	GCP	PLR	M-B	1	-	3	-	SALEABLE		34950-0811	34950-0821	34951-0831	34951-0841
MX150 ASSY BLD 2X4 BK A/2	334824860	A-BLACK	GCP	PLR	M-B	1	2	3	4	SALEABLE		34950-0811	34950-0821	34951-0831	34951-0841
MX150 ASSY BLD 2X4 BK A/4	334824861	A-BLACK	GCP	PLR	M-B	1	2	3	-	SALEABLE		34950-0811	34950-0821	34951-0831	34951-0841
MX150 ASSY BLD 2X4 BK A/6	334824862	A-BLACK	GCP	PLR	M-B	1	-	-	-	SALEABLE		34950-0811	34950-0821	34951-0831	34951-0841
MX150 ASSY BLD 2X4 BK A/4	334824863	A-BLACK	GCP	PLR	M-B	1	-	-	-	SALEABLE		34950-0811	34950-0821	34951-0831	34951-0841
MX150 ASSY BLD 2X4 BK A/2	334824864	A-BLACK	GCP	PLR	M-B	-	-	3	4	SALEABLE		34950-0811	34950-0821	34951-0831	34951-0841
MX150 ASSY BLD 2X4 BK A/5	334824865	A-BLACK	GCP	PLR	M-B	-	-	-	4	SALEABLE		34950-0811	34950-0821	34951-0831	34951-0841

ASSEMBLY DESCRIPTION	ASSEMBLY PART NUMBER	COMPONENT				BLOCKED TERMINALS				STATUS	COMMENT	OPTIONAL ATTACHMENTS SOLD SEPARATELY			
		THE PRESENCE OF AN ABBREVIATION INDICATES THE PRESENCE OF THAT COMPONENT				CAVITY WITH A NUMBER INDICATES BLOCKED TERMINAL POSITION CAVITY WITHOUT A NUMBER INDICATES OPEN TERMINAL POSITION						BACKSHELL WITH RIBS	BACKSHELL WITHOUT RIBS	90° ADAPTOR WITH RIBS	90° ADAPTOR WITHOUT RIBS
		HOUSING KEY/COLOR	GROMMET CAP	PLR	MAT SEAL										
MX150 ASSY BLD 2X4 BK A/3	334824866	A-BLACK	GCP	PLR	M-B	-	-	-	4	SALEABLE		34950-0811	34950-0821	34951-0831	34951-0841
						5	6	7	8						
MX150 ASSY BLD 2X4 BK A/2	334824867	A-BLACK	GCP	PLR	M-B	-	2	3	4	SALEABLE		34950-0811	34950-0821	34951-0831	34951-0841
						-	6	7	8						
MX150 ASSY BLD 2X4 BK A/5	334824868	A-BLACK	GCP	PLR	M-B	-	-	-	-	SALEABLE		34950-0811	34950-0821	34951-0831	34951-0841
						5	6	7	-						
MX150 ASSY BLD 2X4 BK A/6	334824869	A-BLACK	GCP	PLR	M-B	-	-	3	4	SALEABLE		34950-0811	34950-0821	34951-0831	34951-0841
						-	-	-	-						
MX150 ASSY BLD 2X4 BK A/5	334824870	A-BLACK	GCP	PLR	M-B	-	-	-	-	SALEABLE		34950-0811	34950-0821	34951-0831	34951-0841
						-	6	7	8						
MX150 ASSY BLD 2X4 LG B/6	334824871	B-LIGHT GRAY	GCP	PLR	M-B	-	-	-	-	SALEABLE		34950-0811	34950-0821	34951-0831	34951-0841
						-	-	7	8						
MX150 ASSY BLD 2X4 BK A/6	334824872	A-BLACK	GCP	PLR	M-B	1	-	-	-	SALEABLE		34950-0811	34950-0821	34951-0831	34951-0841
						-	-	-	8						
MX150 ASSY BLD 2X4 BK A/6	334824873	A-BLACK	GCP	PLR	M-B	-	-	-	-	SALEABLE		34950-0811	34950-0821	34951-0831	34951-0841
						-	6	-	8						
MX150 ASSY BLD 2X4 BK A/6	334824874	A-BLACK	GCP	PLR	M-B	-	2	-	-	SALEABLE		34950-0811	34950-0821	34951-0831	34951-0841
						5	-	-	-						
MX150 ASSY BLD 2X4 BK A/7	334824875	A-BLACK	GCP	PLR	M-B	-	-	-	-	SALEABLE		34950-0811	34950-0821	34951-0831	34951-0841
						5	-	-	-						
MX150 ASSY BLD 2X4 LG B/5	334824876	B-LIGHT GRAY	GCP	PLR	M-B	1	-	3	-	SALEABLE		34950-0811	34950-0821	34951-0831	34951-0841
						-	-	-	8						
MX150 ASSY BLD 2X4 LG B/6	334824877	B-LIGHT GRAY	GCP	PLR	M-B	-	-	3	-	SALEABLE		34950-0811	34950-0821	34951-0831	34951-0841
						-	-	-	8						
MX150 ASSY BLD 2X4 LG B/7	334824878	B-LIGHT GRAY	GCP	PLR	M-B	1	-	-	-	SALEABLE		34950-0811	34950-0821	34951-0831	34951-0841
						-	-	-	-						
MX150 ASSY BLD 2X4 BK A/2	334824879	A-BLACK	GCP	PLR	M-B	1	2	3	4	SALEABLE		34950-0811	34950-0821	34951-0831	34951-0841
						5	-	7	-						
MX150 ASSY BLD 2X4 BK A/7	334824880	A-BLACK	GCP	PLR	M-B	1	-	-	-	SALEABLE		34950-0811	34950-0821	34951-0831	34951-0841
						-	-	-	-						
MX150 ASSY BLD 2X4 BK A/6	334824881	A-BLACK	GCP	PLR	M-B	-	-	-	-	SALEABLE		34950-0811	34950-0821	34951-0831	34951-0841
						5	-	-	8						
MX150 ASSY BLD 2X4 BK A/6	334824882	A-BLACK	GCP	PLR	M-B	-	-	-	4	SALEABLE		34950-0811	34950-0821	34951-0831	34951-0841
						-	6	-	-						
MX150 ASSY BLD 2X4 BK A/6	334824883	A-BLACK	GCP	PLR	M-B	1	-	-	-	SALEABLE		34950-0811	34950-0821	34951-0831	34951-0841
						-	-	7	-						
MX150 ASSY BLD 2X4 BK A/3	334824884	A-BLACK	GCP	PLR	M-B	1	2	3	4	SALEABLE		34950-0811	34950-0821	34951-0831	34951-0841
						-	-	7	-						
MX150 ASSY BLD 2X4 BK A/3	334824885	A-BLACK	GCP	PLR	M-B	1	2	-	-	SALEABLE		34950-0811	34950-0821	34951-0831	34951-0841
						5	6	-	8						
MX150 ASSY BLD 2X4 BK A/5	334824886	A-BLACK	GCP	PLR	M-B	-	2	3	-	SALEABLE		34950-0811	34950-0821	34951-0831	34951-0841
						-	-	-	8						
MX150 ASSY BLD 2X4 BK A/3	334824887	A-BLACK	GCP	PLR	M-B	1	-	3	4	SALEABLE		34950-0811	34950-0821	34951-0831	34951-0841
						-	-	7	8						
MX150 ASSY BLD 2X4 BK A/5	334824888	A-BLACK	GCP	PLR	M-B	-	-	-	4	SALEABLE		34950-0811	34950-0821	34951-0831	34951-0841
						5	6	-	-						
MX150 ASSY BLD 2X4 BK A/2	334824889	A-BLACK	GCP	PLR	M-B	1	2	-	4	SALEABLE		34950-0811	34950-0821	34951-0831	34951-0841
						5	6	-	8						
MX150 ASSY BLD 2X4 BK A/6	334824890	A-BLACK	GCP	PLR	M-B	-	-	-	4	SALEABLE		34950-0811	34950-0821	34951-0831	34951-0841
						-	-	-	8						
MX150 ASSY BLD 2X4 BK A/5	334824891	A-BLACK	GCP	PLR	M-B	-	-	-	4	SALEABLE		34950-0811	34950-0821	34951-0831	34951-0841
						5	-	-	8						
MX150 ASSY BLD 2X4 BK A/4	334824892	A-BLACK	GCP	PLR	M-B	-	2	3	-	SALEABLE		34950-0811	34950-0821	34951-0831	34951-0841
						5	-	-	8						

ASSEMBLY DESCRIPTION	ASSEMBLY PART NUMBER	COMPONENT				BLOCKED TERMINALS				STATUS	COMMENT	OPTIONAL ATTACHMENTS SOLD SEPARATELY			
		THE PRESENCE OF AN ABBREVIATION INDICATES THE PRESENCE OF THAT COMPONENT				CAVITY WITH A NUMBER INDICATES BLOCKED TERMINAL POSITION CAVITY WITHOUT A NUMBER INDICATES OPEN TERMINAL POSITION						BACKSHELL WITH RIBS	BACKSHELL WITHOUT RIBS	90° ADAPTOR WITH RIBS	90° ADAPTOR WITHOUT RIBS
		HOUSING KEY/COLOR	GROMMET CAP	PLR	MAT SEAL										
MX150 ASSY BLD 2X4 BK A/1	334824893	A-BLACK	GCP	PLR	M-B	1	2	3	4	SALEABLE		34950-0811	34950-0821	34951-0831	34951-0841
						5	-	7	8						
MX150 ASSY BLD 2X4 BK A/4	334824894	A-BLACK	GCP	PLR	M-B	-	-	3	4	SALEABLE		34950-0811	34950-0821	34951-0831	34951-0841
						5	-	7	-						
MX150 ASSY BLD 2X4 BK A/6	334824895	A-BLACK	GCP	PLR	M-B	-	-	3	-	SALEABLE		34950-0811	34950-0821	34951-0831	34951-0841
						-	-	7	-						
MX150 ASSY BLD 2X4 BK A/3	334824896	A-BLACK	GCP	PLR	M-B	1	2	-	4	SALEABLE		34950-0811	34950-0821	34951-0831	34951-0841
						5	-	7	-						
MX150 ASSY BLD 2X4 BK A/5	334824897	A-BLACK	GCP	PLR	M-B	-	-	-	4	SALEABLE		34950-0811	34950-0821	34951-0831	34951-0841
						5	-	7	-						
MX150 ASSY BLD 2X4 BK A/7	334824898	A-BLACK	GCP	PLR	M-B	-	2	-	-	SALEABLE		34950-0811	34950-0821	34951-0831	34951-0841
						-	-	-	-						
MX150 ASSY BLD 2X4 BK A/1	334824899	A-BLACK	GCP	PLR	M-B	1	-	3	4	SALEABLE		34950-0811	34950-0821	34951-0831	34951-0841
						5	6	7	8						
MX150 ASSY BLD 2X4 BK A/4	334824900	A-BLACK	GCP	PLR	M-B	-	-	-	-	SALEABLE		34950-0811	34950-0821	34951-0831	34951-0841
						5	6	7	8						
MX150 ASSY BLD 2X4 BK A/7	334824901	A-BLACK	GCP	PLR	M-B	-	-	3	-	SALEABLE		34950-0811	34950-0821	34951-0831	34951-0841
						-	-	-	-						
MX150 ASSY BLD 2X4 DG C/7	334824902	C-DARK GRAY	GCP	PLR	M-B	-	-	-	4	SALEABLE		34950-0811	34950-0821	34951-0831	34951-0841
						-	-	-	-						
MX150 ASSY BLD 2X4 BK A/6	334825000	A-BLACK	GCP	PLR	M-B	-	2	-	-	SALEABLE		34950-0811	34950-0821	34951-0831	34951-0841
						-	-	-	8						
MX150 ASSY BLD 2X4 BK A/8	334825001	A-BLACK	GCO	PLR	M-B	-	-	-	-	SALEABLE		34950-0811	34950-0821	34951-0831	34951-0841
						-	-	-	-						
MX150 ASSY BLD 2X4 BK A/2	334825002	A-BLACK	GCP	PLR	M-B	1	2	3	-	SALEABLE		34950-0811	34950-0821	34951-0831	34951-0841
						5	6	-	8						
MX150 ASSY BLD 2X4 BK A/5	334825003	A-BLACK	GCP	PLR	M-B	-	-	-	-	SALEABLE		34950-0811	34950-0821	34951-0831	34951-0841
						5	6	7	-						
MX150 ASSY BLD 2X4 BK A/5	334825004	A-BLACK	GCP	PLR	M-B	-	-	-	-	SALEABLE		34950-0811	34950-0821	34951-0831	34951-0841
						-	6	7	8						
MX150 ASSY BLD 2X4 BK A/3	334825005	A-BLACK	GCP	PLR	M-B	1	-	-	-	SALEABLE		34950-0811	34950-0821	34951-0831	34951-0841
						5	6	7	8						
MX150 ASSY BLD 2X4 LG B/4	334825006	B-LIGHT GRAY	GCP	PLR	M-B	-	2	3	4	SALEABLE		34950-0811	34950-0821	34951-0831	34951-0841
						-	-	7	-						
MX150 ASSY BLD 2X4 BK A/3	334825007	A-BLACK	GCP	PLR	M-B	1	2	3	4	SALEABLE		34950-0811	34950-0821	34951-0831	34951-0841
						5	-	-	-						
MX150 ASSY BLD 2X4 BK A/3	334825008	A-BLACK	GCP	PLR	M-B	1	-	3	4	SALEABLE		34950-0811	34950-0821	34951-0831	34951-0841
						-	-	7	8						
MX150 ASSY BLD 2X4 BK A/3	334825009	A-BLACK	GCP	PLR	M-B	1	2	-	4	SALEABLE		34950-0811	34950-0821	34951-0831	34951-0841
						5	6	-	-						
MX150 ASSY BLD 2X4 LG B/6	334825010	B-LIGHT GRAY	GCP	PLR	M-B	-	-	-	4	SALEABLE		34950-0811	34950-0821	34951-0831	34951-0841
						-	-	7	-						
MX150 ASSY BLD 2X4 LG B/4	334825011	B-LIGHT GRAY	GCP	PLR	M-B	-	-	-	-	SALEABLE		34950-0811	34950-0821	34951-0831	34951-0841
						5	6	7	8						
MX150 ASSY BLD 2X4 BK A/4	334825012	A-BLACK	GCP	PLR	M-B	-	2	3	4	SALEABLE		34950-0811	34950-0821	34951-0831	34951-0841
						-	-	7	-						
MX150 ASSY BLD 2X4 BK A/4	334825013	A-BLACK	GCP	PLR	M-B	-	-	-	-	SALEABLE		34950-0811	34950-0821	34951-0831	34951-0841
						5	6	7	8						

TABLE OF CONTENTS	
SHEET NO.	SHEET DESCRIPTION
1	NOTES AND BOM
2	CONFIGURATIONS
3-4	KEY CONFIGURATIONS
5	BLADE SEALED ASSEMBLY
6	SYSTEM PACKAGING
7	BACKSHELL NOTES
8	BACKSHELL
9	BACKSHELL CONFIGURATIONS

NOTES: VALID UNLESS OTHERWISE SPECIFIED

1. GENERAL:
a. APPLICATION SPECIFICATION SEE: AS-33472-100
-CONTAINS: PRODUCT INTRODUCTION, PRODUCT SUMMARY, CONNECTOR ASSEMBLY, PACKAGING INFORMATION, CONNECTOR MATING, SERVICE INSTRUCTIONS, ELECTRICAL CONTINUITY CHECKING, CRIMPING, AND TROUBLESHOOTING.
-DESIGNED TO MATE WITH RECEPTACLE SEALED ASSEMBLY AS SPECIFIED IN THE MATING CONNECTOR DRAWINGS CHART.
*DENOTES DRAWINGS THAT CAN BE ACCESSED AT <http://ewcap.uscarteams.org/>.
-ASSEMBLY SHIPPED WITH PLR IN PRE-LOCK POSITION (SEE PLR PRE-LOCK VIEW SHEET 5).

b. PRODUCT SPECIFICATION SEE:
-STANDARD CONFIGURATION: PS-33472-000
-UL V0 CONFIGURATION: TBD
CONTAINS: PRODUCT INTRODUCTION, PRODUCT SUMMARY, RATINGS (CURRENT, TEMPERATURE, SEALING, AND FLAMMABILITY), TERMINALS, WIRE DIAMETER RANGE, PRODUCT VALIDATION, AND PRODUCT DEVIATIONS.

c. PACKAGING SPECIFICATION PER MOLEX DRAWING: PK-31300-635

d. PARTS MUST BE IN COMPLIANCE TO MOLEX CHEMICAL SUBSTANCES FOR PRODUCTS AND PACKAGING SPECIFICATION: QEHS-699000-300

e. DATA MUST BE SUBMITTED UNDER THE MOLEX PART NUMBER TO IMDS (COMPANY ID#13255)

2. DESIGN - MATERIALS:
a. FOR BILL OF MATERIALS SEE:
-STANDARD CONFIGURATION: SD-33482-0002
-UL V0 CONFIGURATION: SD-160084-0002

3. DESIGN - GEOMETRY:
a. THE 3-D CAD DATA IS BASIC (WITHOUT TOLERANCE) AND MASTER FOR THIS PART WITH THE EXCEPTION OF UNDERLINED DIMENSIONS. DIMENSIONAL INFORMATION NOT SHOWN ON THIS DRAWING IS DEFINED BY THE DATA FILE AT ITS LATEST REVISION.
b. GEOMETRIC DIMENSIONS AND TOLERANCES PER ASME Y14.5M-2009
c. EDGES AND UNDIMENSIONED DETAILS PER ISO13715
d. CORNERS SHOWN AS SHARP TO BE R 0.2 MAX.
e. LETTERING SHALL BE 0.15 MAX RAISED IN 0.25 MAX RECESS PAD. THIS INCLUDES RECYCLING CODE, CAVITY ID, VENDOR IDENTIFICATION, AND CUSTOMER MATERIAL NUMBER.
f. VISUAL DEFECTS SHALL MEET COSMETIC STANDARD PS-45499-002 (Class B).
g. LASER MARKING:
1. PART NUMBER
2. DAY OF THE YEAR
3. SHIFT
4. YEAR
FOR ADDITIONAL INFORMATION SEE SECTION 5 UNDER PROCEDURES IN ES-34735-008.

MATING CONNECTOR DRAWINGS	
DESCRIPTION	MOLEX INLINE
2X2	SD-33472-0001
2X3	SD-33472-0001
2X4	SD-33472-0001
2X6	SD-33472-0001
2X8	SD-33472-0001
2X10	SD-33472-0001



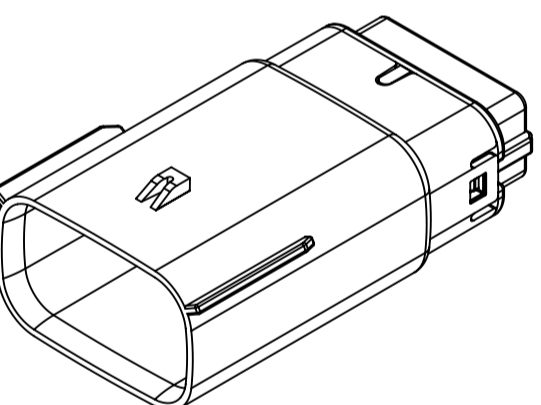
2X2



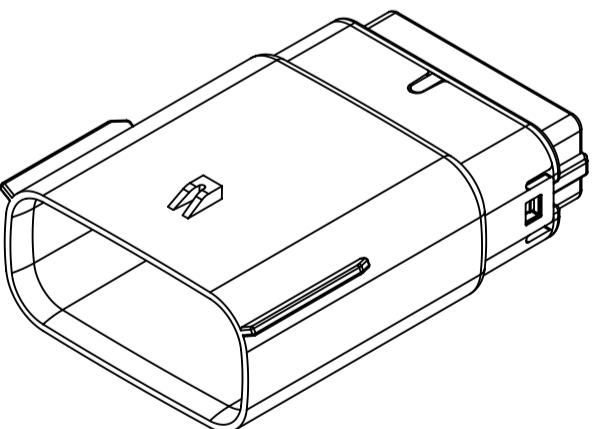
2X3



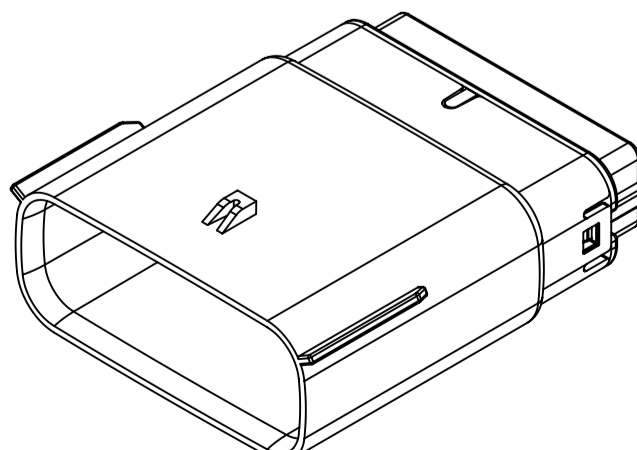
2X4



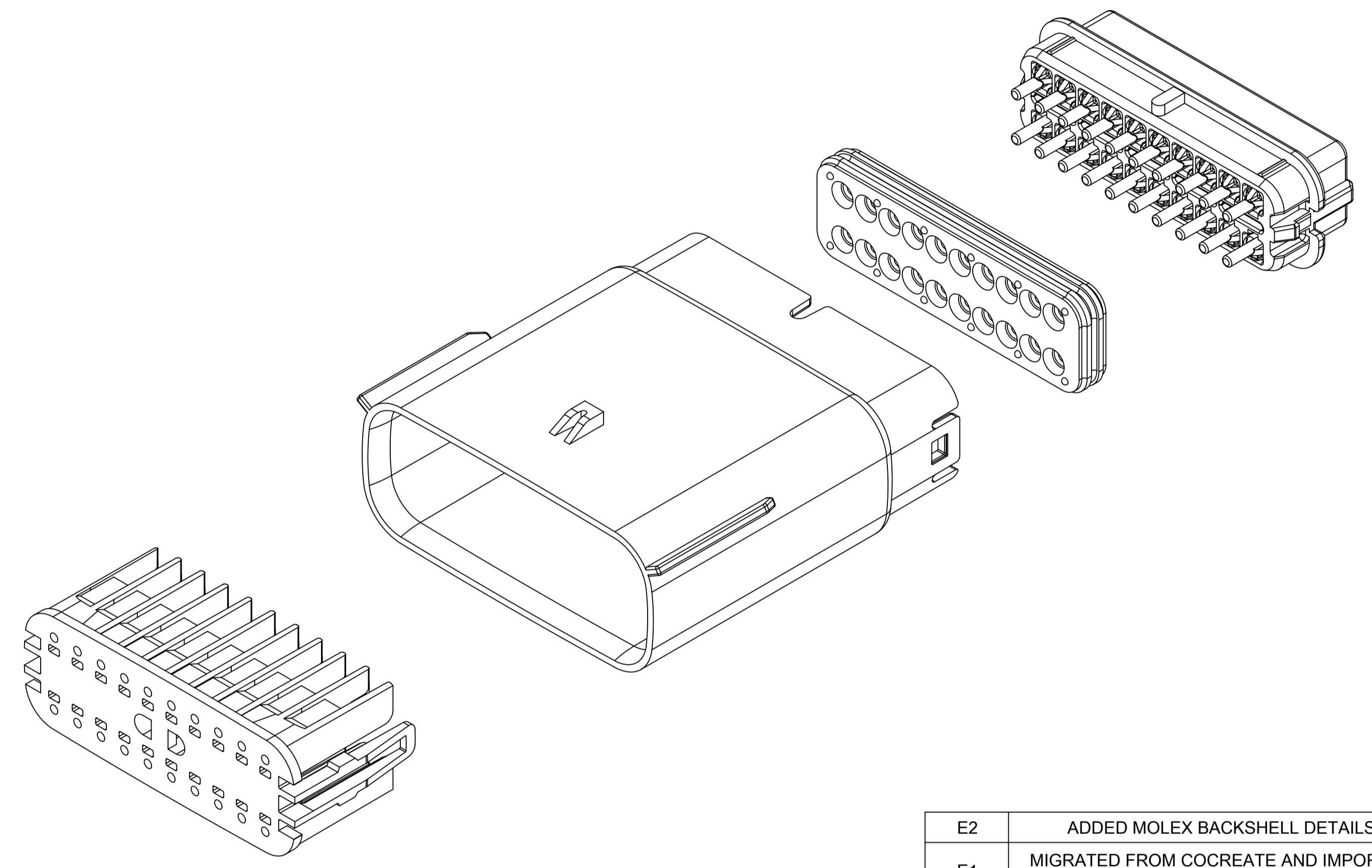
2X6



2X8



2X10

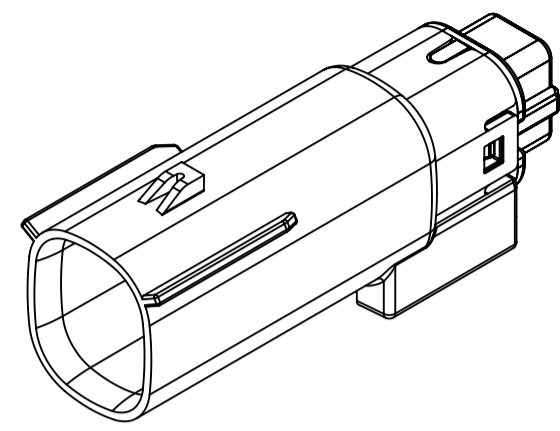


REV	REV DESCRIPTION
E2	ADDED MOLEX BACKSHELL DETAILS
E1	MIGRATED FROM COCREATE AND IMPORTED DXF FILES
E	ADDED CHARTED DIMENSIONS FOR 2X2, 2X4, 2X6 AND 2X8 WITH CLIPSLLOT
D	MINOR GEOMETRY CHANGE FOR UL V0
C3	ADD 2X4
C2	ADD 2X3
C1	ADD UL V0 CONFIGURATIONS
C	ADD 2X8
B1	ADD 2X6 BACKSHELL INFO
B	ADD 2X6
A	INITIAL RELEASE
REV	REV DESCRIPTION

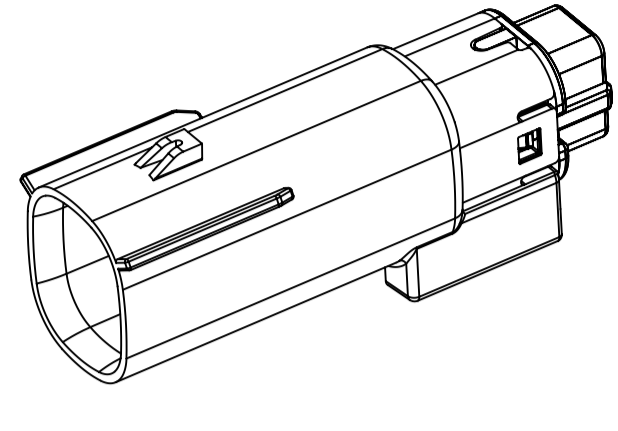
INSPECTION NUMBER LOG	
LAST NUMBER:	9
ADDED:	
REMOVED:	

SYMBOLS = 0 = 0 = 0 = 0 = 0 = 0 = 0 = 0 = 0	THIS DRAWING CONTAINS INFORMATION THAT IS PROPRIETARY TO MOLEX ELECTRONIC TECHNOLOGIES, LLC AND SHOULD NOT BE USED WITHOUT WRITTEN PERMISSION DIMENSION UNITS: mm SCALE: 1.5:1 GENERAL TOLERANCES (UNLESS SPECIFIED) ANGULAR TOL ± 1.0° 4 PLACES ± 3 PLACES ± 2 PLACES ± 0.1 1 PLACE ± 0.2 0 PLACES ± DRAFT WHERE APPLICABLE MUST REMAIN WITHIN DIMENSIONS	CURRENT REV DESC: EC NO: 171650 DRWN: PMANJUNATHAC 2018/01/03 CHK'D: MVANSLAMBROU 2018/02/16 APPR: MVANSLAMBROU 2018/02/16 INITIAL REVISION: DRWN: APROFFITT 2014/04/28 APPR: VKOSHY 2014/05/14	 MX150 BLADE DUAL ROW SEALED ASSEMBLY MAT SEAL PRODUCT CUSTOMER DRAWING
	DOCUMENT NUMBER: SD-33482-0001 DOC TYPE: PSD DOC PART: 001 REVISION: E2		MATERIAL NUMBER: 33482 CUSTOMER: GENERAL MARKET SHEET NUMBER: 1 OF 11
	THIRD ANGLE PROJECTION 		DRAWING: A1-SIZE SERIES: 33482
	DOCUMENT STATUS: P1 RELEASE DATE: 2018/02/16 22:02:26		

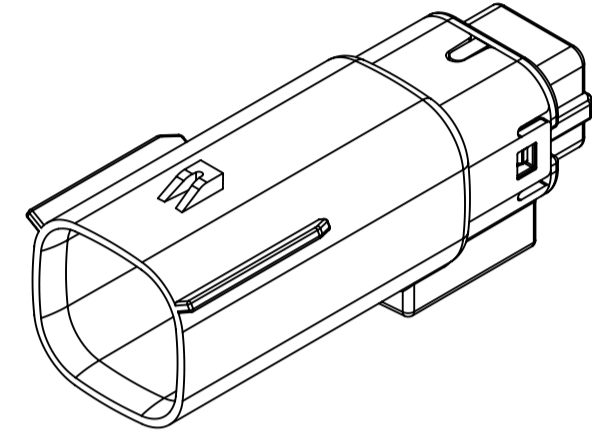
SHEET DESCRIPTION
CONFIGURATIONS



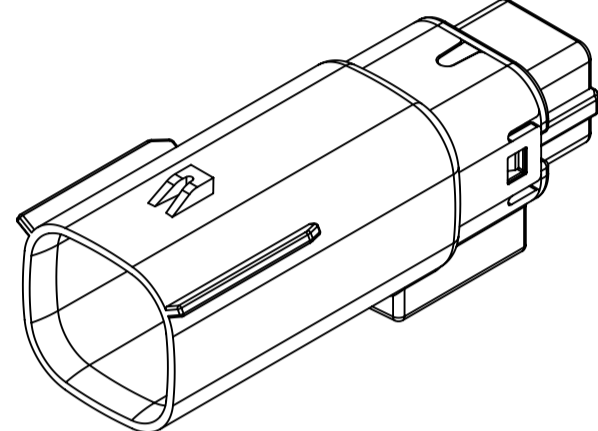
2X2 - STANDARD (STD)



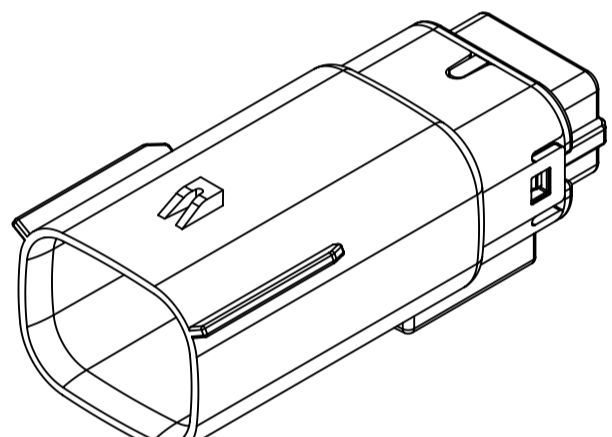
2X2 - UL V0*



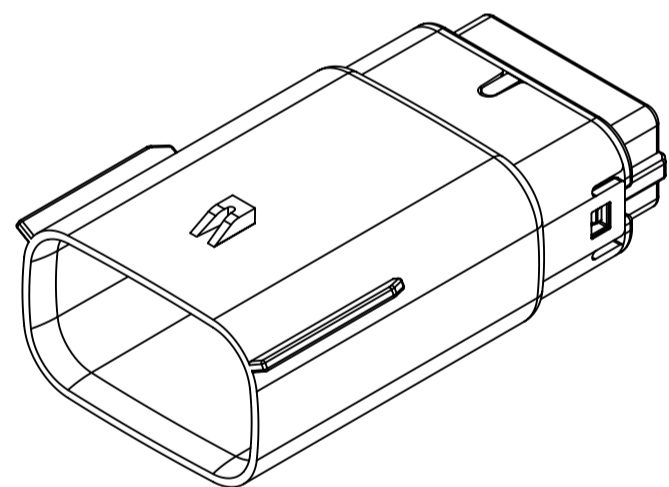
2X3 - STANDARD (STD)



2X3 - LENGTHENED



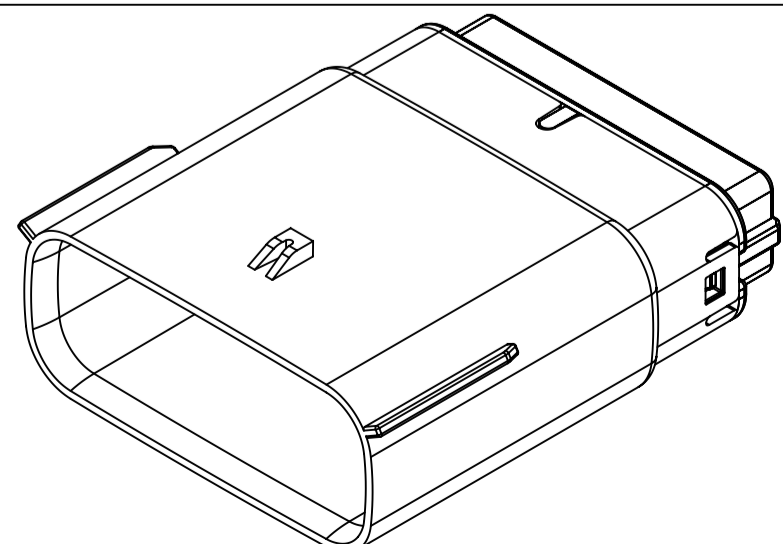
2X4 - STANDARD (STD)



2X6 - STANDARD (STD)



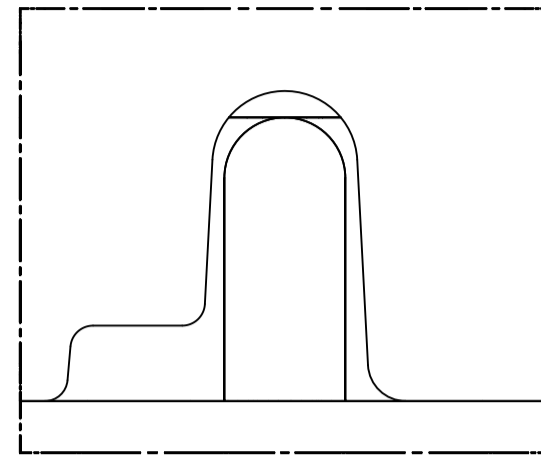
2X8 - STANDARD (STD)



2X10 - STANDARD (STD)



2X10 - UL V0*



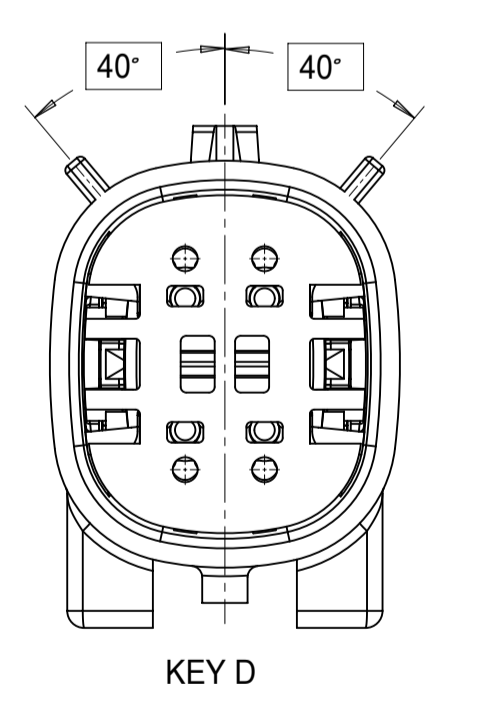
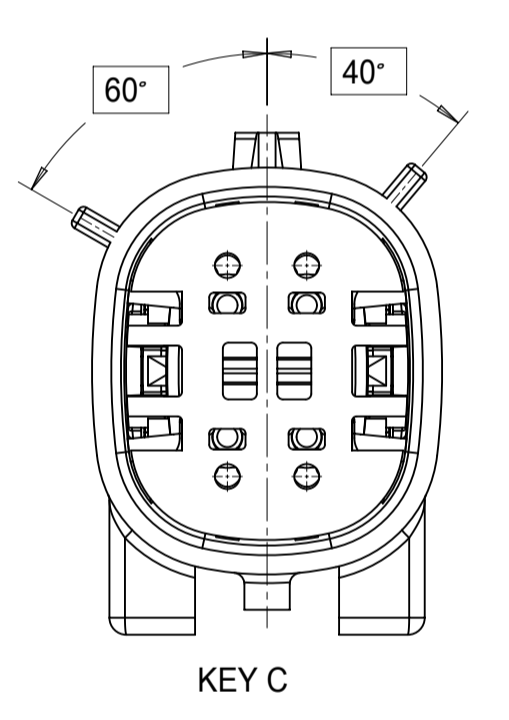
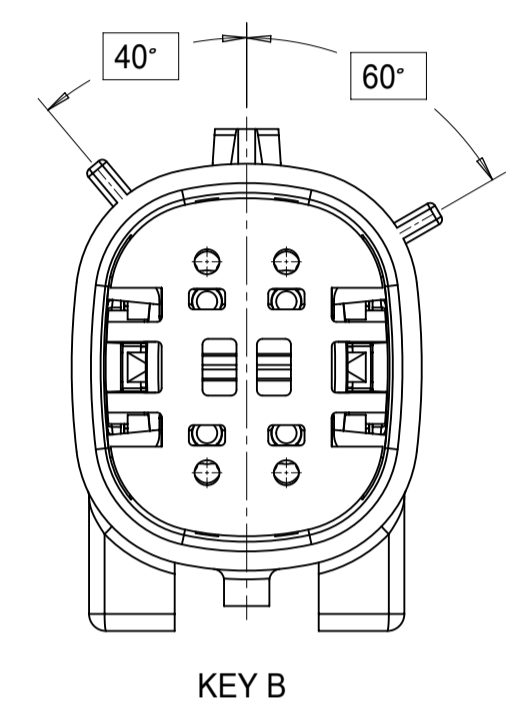
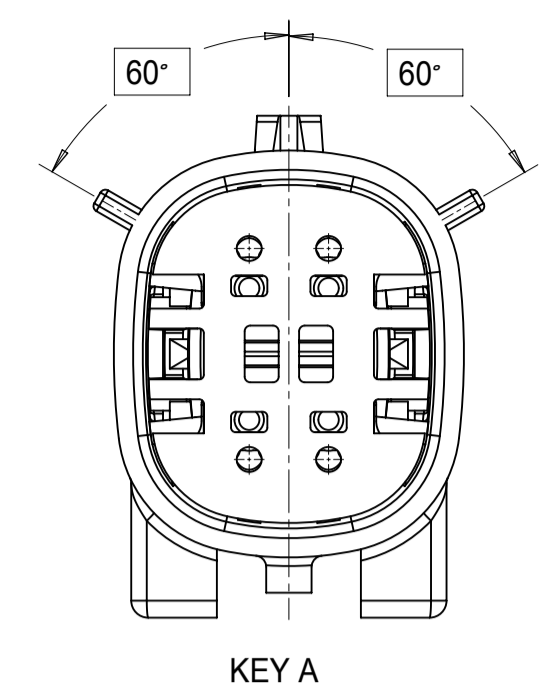
UL V0 UNIQUE FEATURE
Partial1
SCALE 10:1

* MINOR GEOMETRY CHANGE THAN STANDARD CONFIGURATION.
SEE NOTE 2a FOR MORE INFORMATION

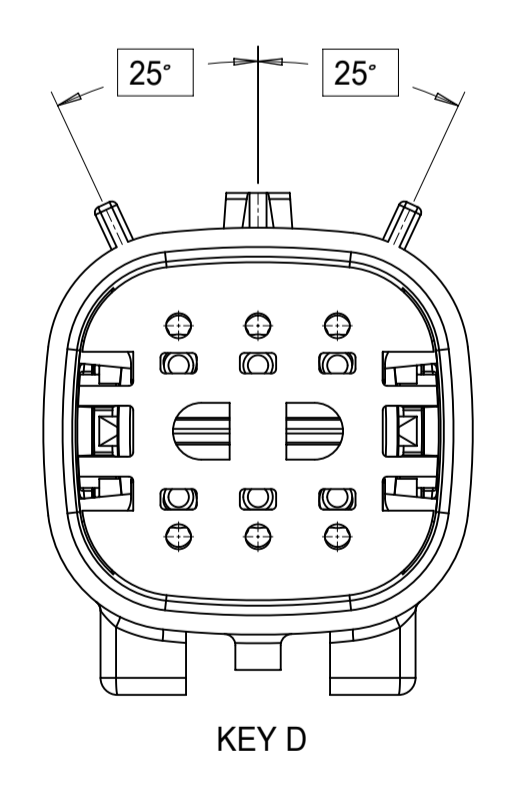
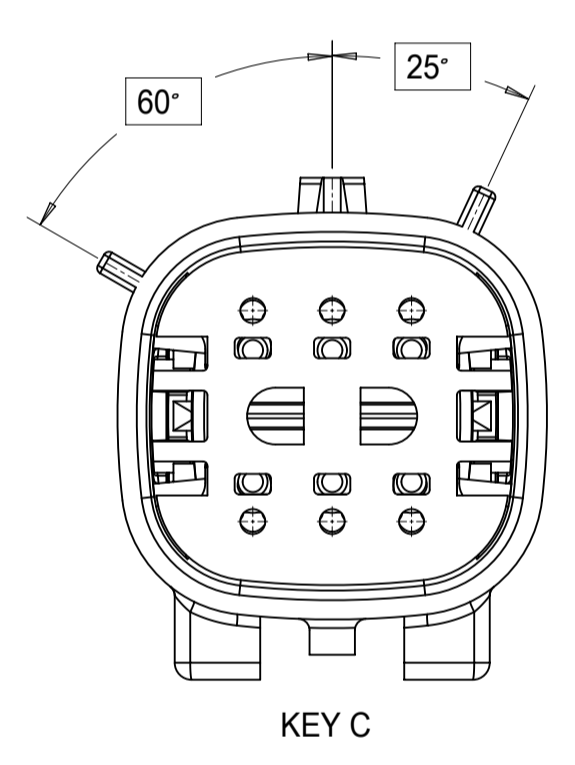
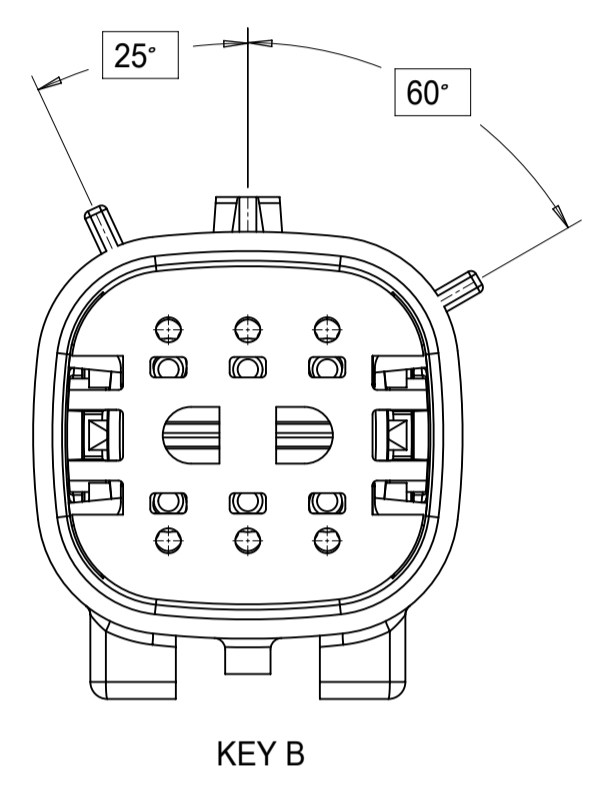
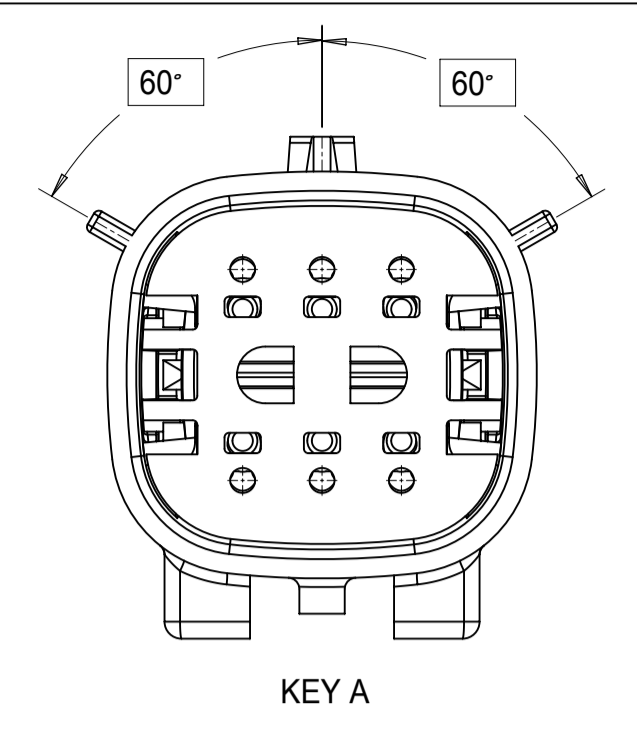
SYMBOLS	THIS DRAWING CONTAINS INFORMATION THAT IS PROPRIETARY TO MOLEX ELECTRONIC TECHNOLOGIES, LLC AND SHOULD NOT BE USED WITHOUT WRITTEN PERMISSION		CURRENT REV DESC:		molex
	DIMENSION UNITS	SCALE			
▽ = 0	mm	1.5:1	EC NO: 171650		MX150 BLADE DUAL ROW SEALED ASSEMBLY MAT SEAL
▽ = 0	GENERAL TOLERANCES (UNLESS SPECIFIED)		DRWN: PMANJUNATHAC 2018/01/03		
▽ = 0	ANGULAR TOL ± 1.0°		CHK'D: MVANSLAMBROU 2018/02/16		PRODUCT CUSTOMER DRAWING
▽ = 0	4 PLACES	±	APPR: MVANSLAMBROU 2018/02/16		
▽ = 0	3 PLACES	±	INITIAL REVISION:		DOCUMENT NUMBER
▽ = 0	2 PLACES	± 0.1	DRWN: APROFFITT 2014/04/28		
▽ = 0	1 PLACE	± 0.2	APPR: VKOSHY 2014/05/14		SD-33482-0001
▽ = 0	0 PLACES	±	THIRD ANGLE PROJECTION		
▽ = 0	DRAFT WHERE APPLICABLE MUST REMAIN WITHIN DIMENSIONS		DRAWING	SERIES	DOC TYPE DOC PART REVISION
▽ = 0			A1-SIZE	33482	PSD 001 E2
			MATERIAL NUMBER	CUSTOMER	SHEET NUMBER
				GENERAL MARKET	2 OF 11

SHEET DESCRIPTION
KEY CONFIGURATIONS

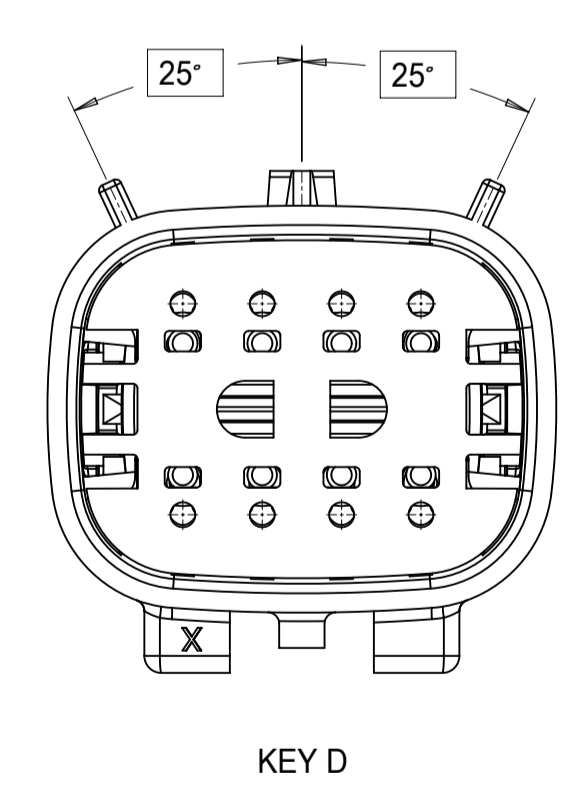
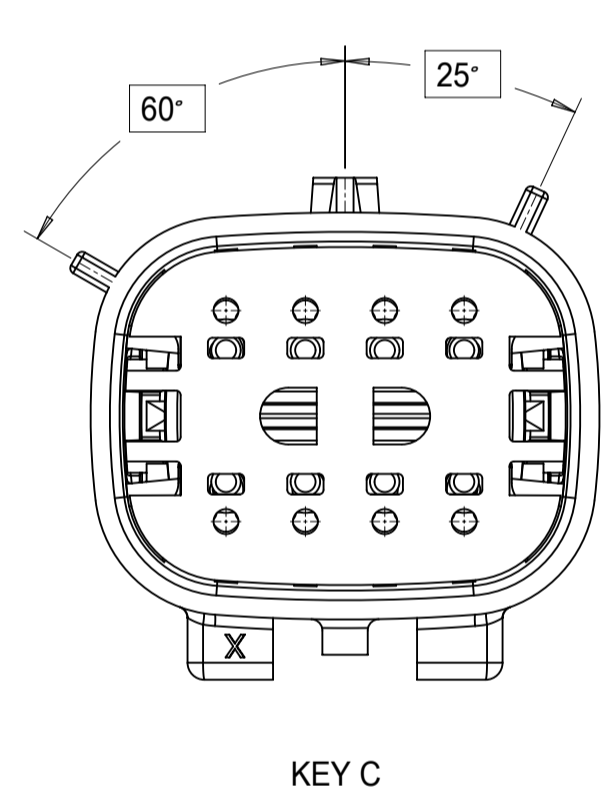
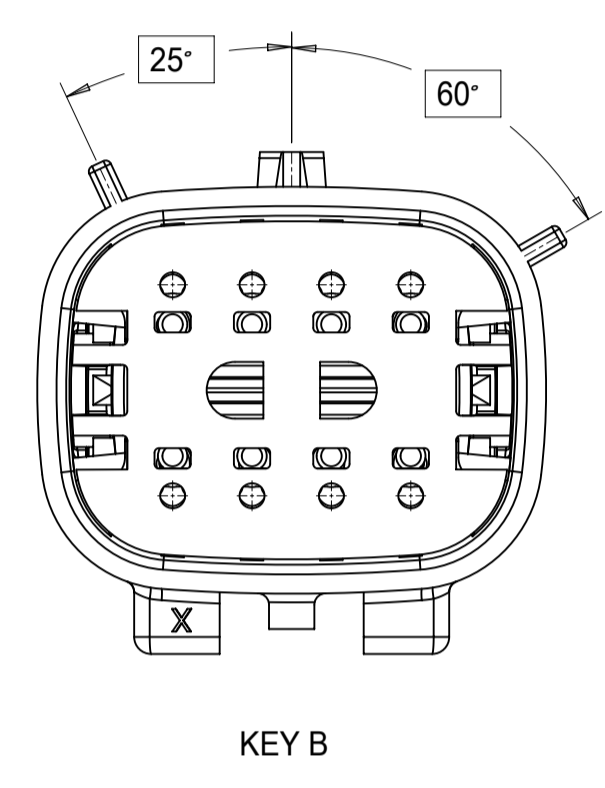
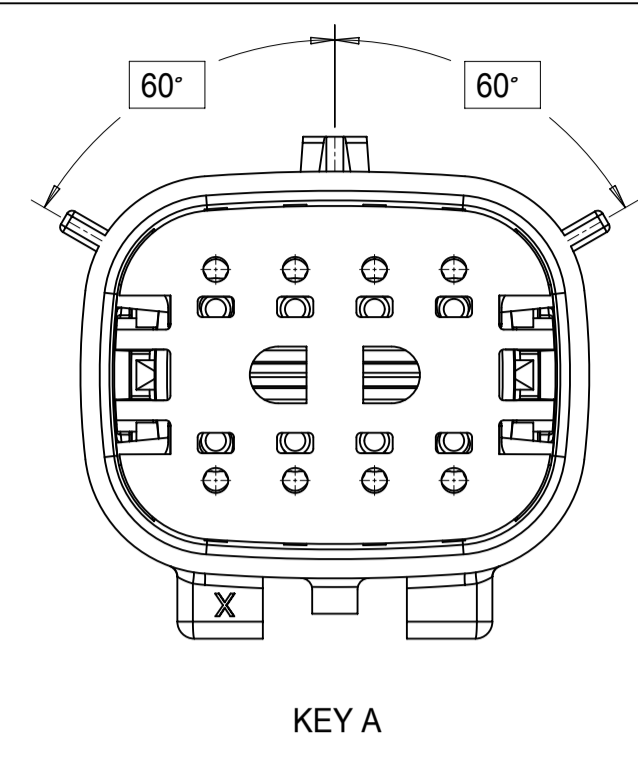
2X2



2X3



2X4



THIS DRAWING CONTAINS INFORMATION THAT IS PROPRIETARY TO MOLEX ELECTRONIC TECHNOLOGIES, LLC AND SHOULD NOT BE USED WITHOUT WRITTEN PERMISSION

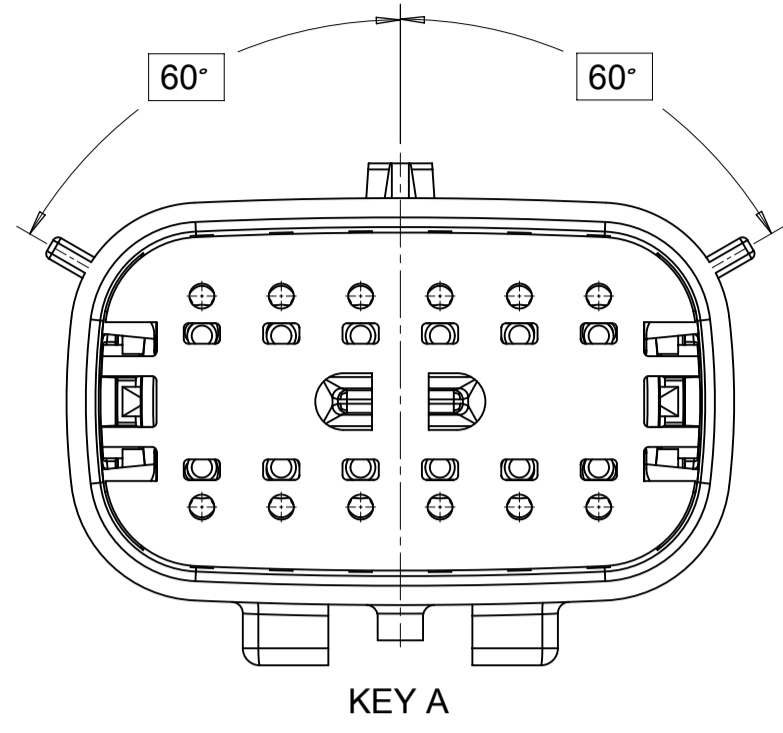
SYMBOLS	DIMENSION UNITS	SCALE
	mm	3:1
	GENERAL TOLERANCES (UNLESS SPECIFIED)	
	ANGULAR TOL ± 1.0°	
	4 PLACES	±
	3 PLACES	±
	2 PLACES	± 0.1
	1 PLACE	± 0.2
	0 PLACES	±
	DRAFT WHERE APPLICABLE MUST REMAIN WITHIN DIMENSIONS	
	THIRD ANGLE PROJECTION	DRAWING
	A1-SIZE	SERIES
	33482	

CURRENT REV DESC:		
EC NO:	171650	
DRWN:	PMANJUNATHAC	2018/01/03
CHK'D:	MVANSLAMBROU	2018/02/16
APPR:	MVANSLAMBROU	2018/02/16
INITIAL REVISION:		
DRWN:	APROFFITT	2014/04/28
APPR:	VKOSHY	2014/05/14

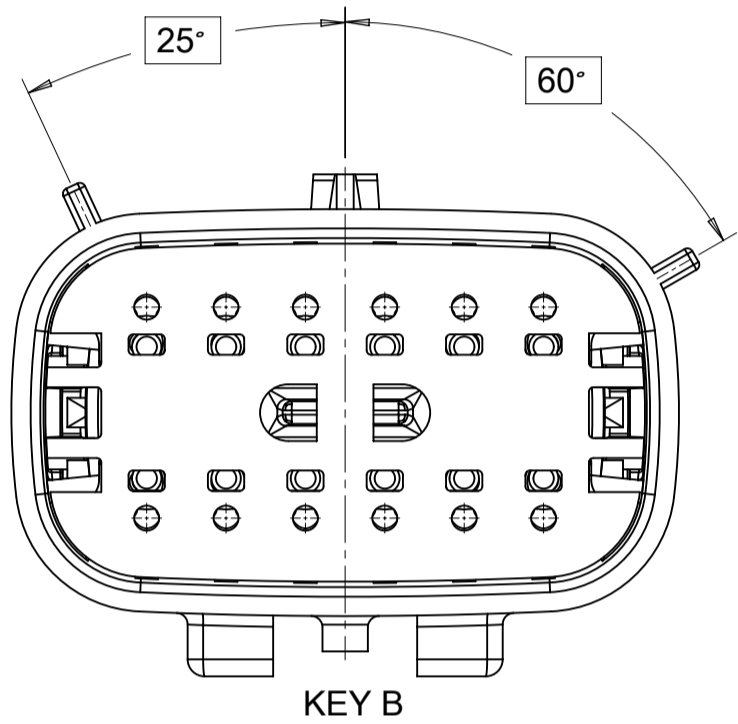
molex			
MX150 BLADE DUAL ROW SEALED ASSEMBLY MAT SEAL			
PRODUCT CUSTOMER DRAWING			
DOCUMENT NUMBER		DOC TYPE	DOC PART
SD-33482-0001		PSD	001
MATERIAL NUMBER		CUSTOMER	SHEET NUMBER
33482		GENERAL MARKET	3 OF 11

SHEET DESCRIPTION
KEY CONFIGURATIONS CONT.

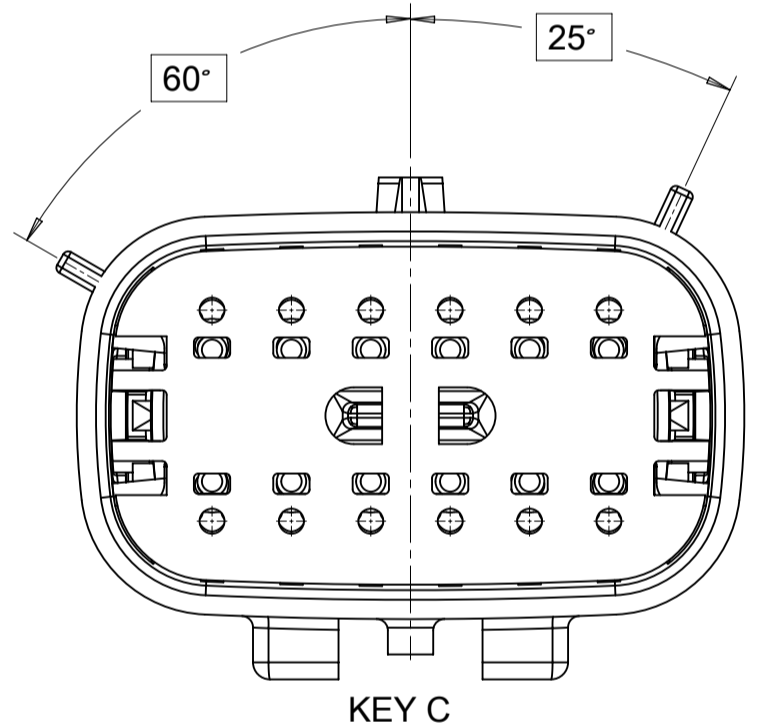
2X6



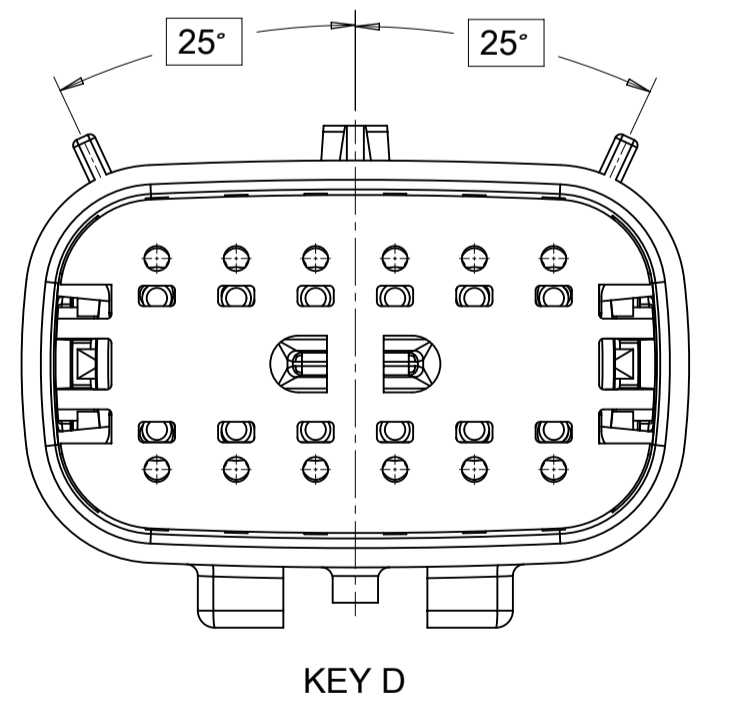
KEY A



KEY B

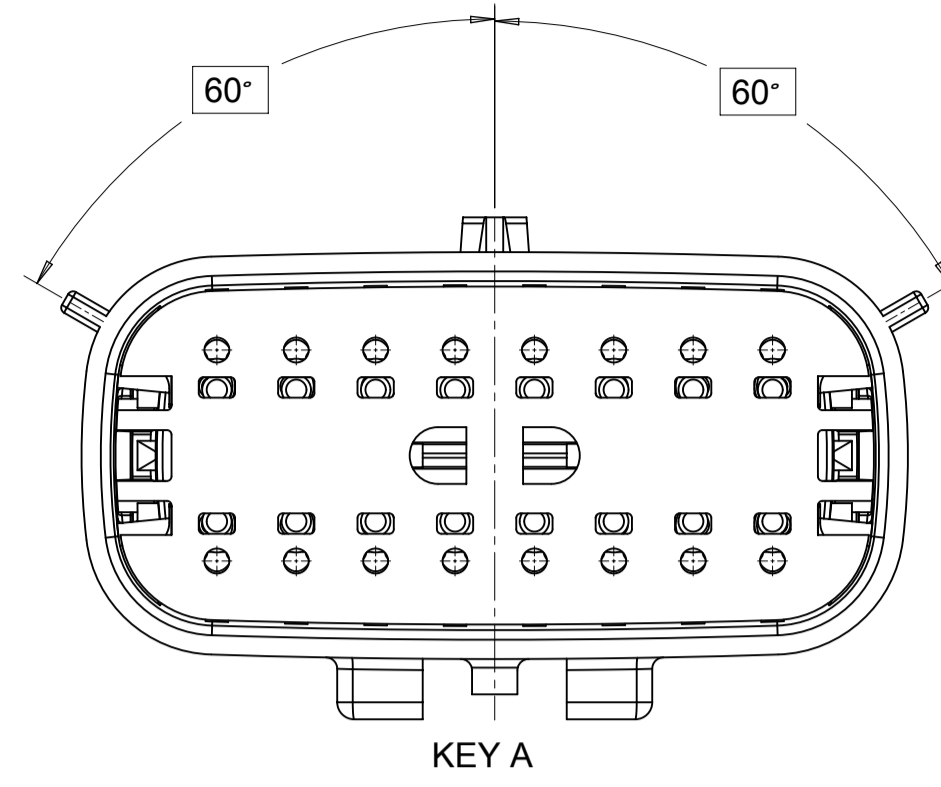


KEY C

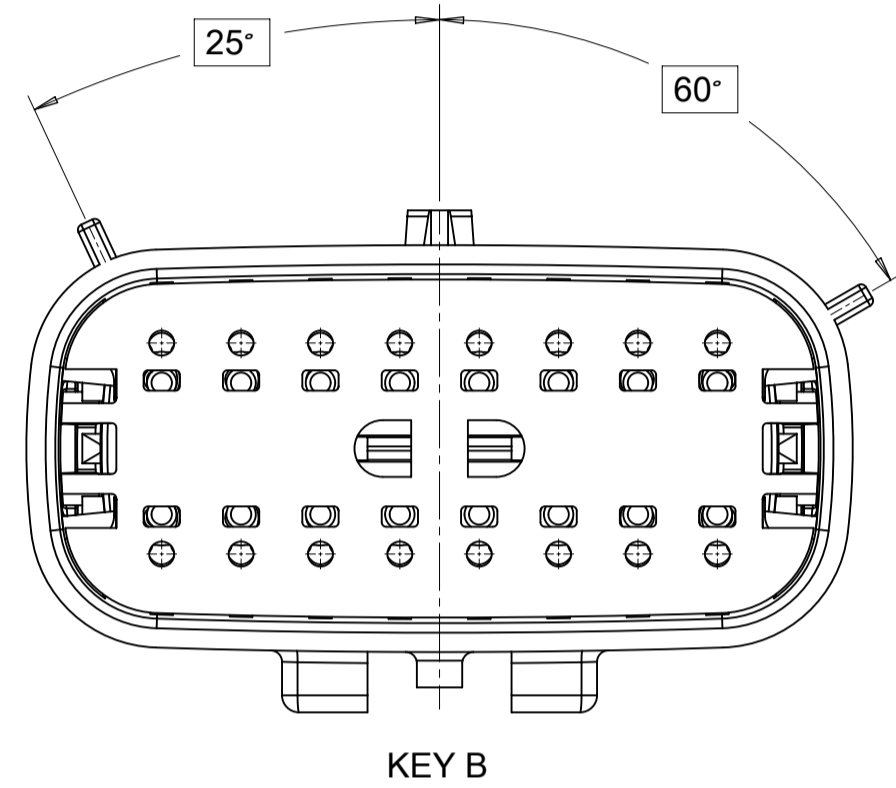


KEY D

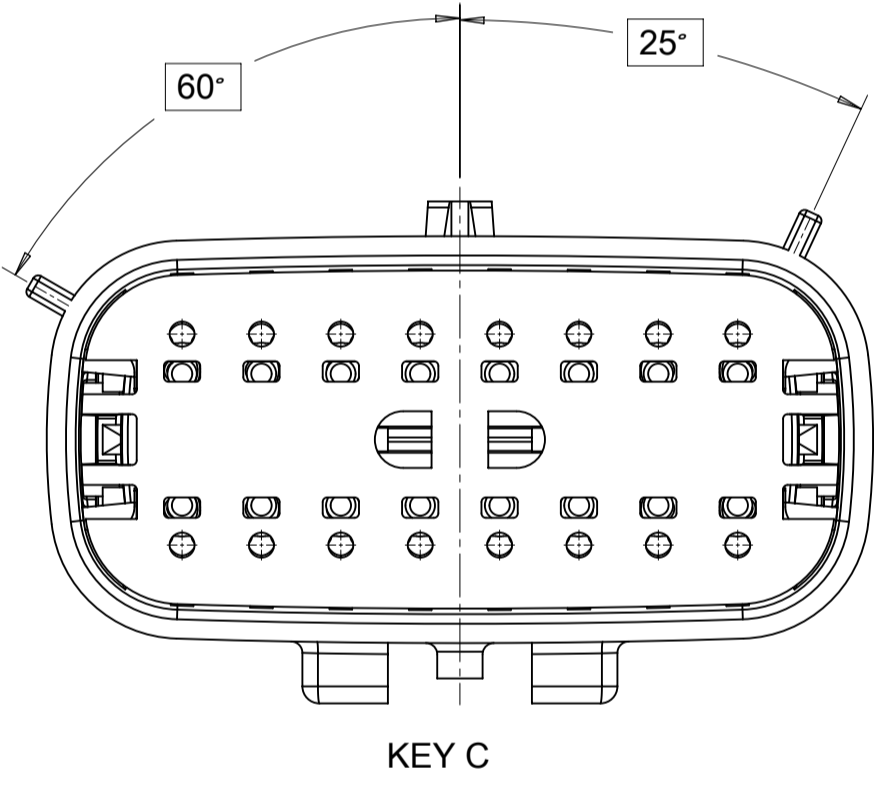
2X8



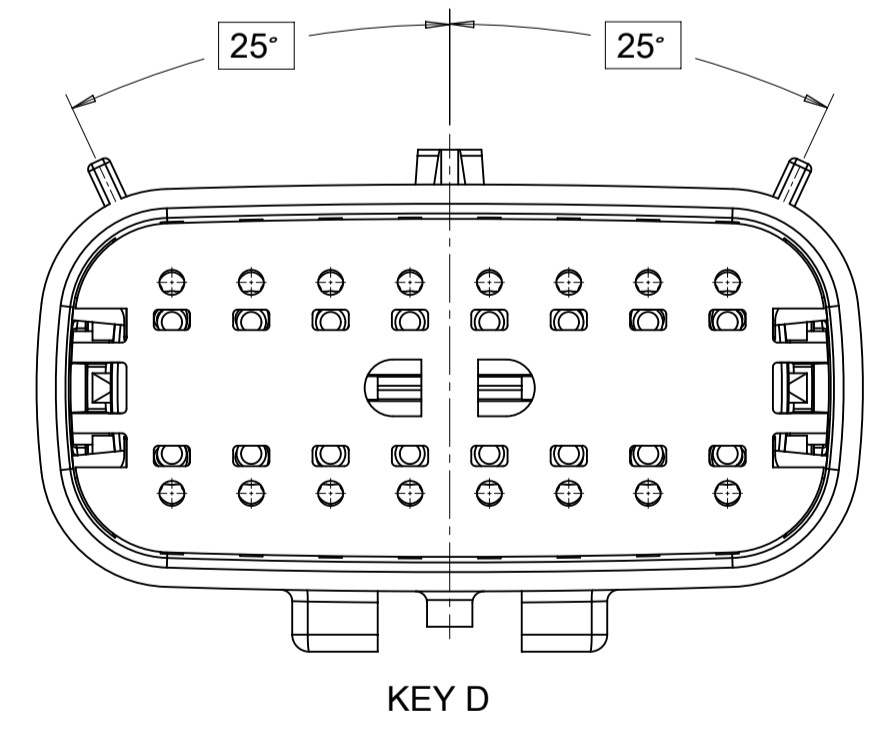
KEY A



KEY B

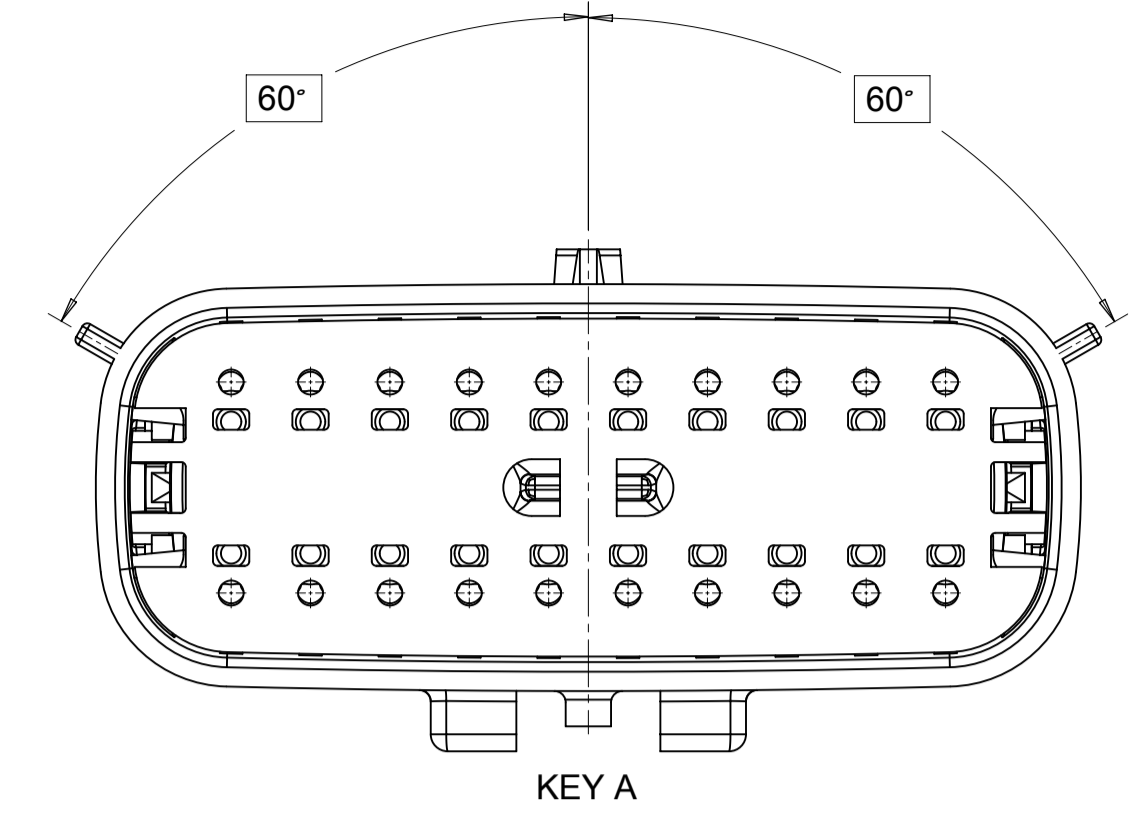


KEY C

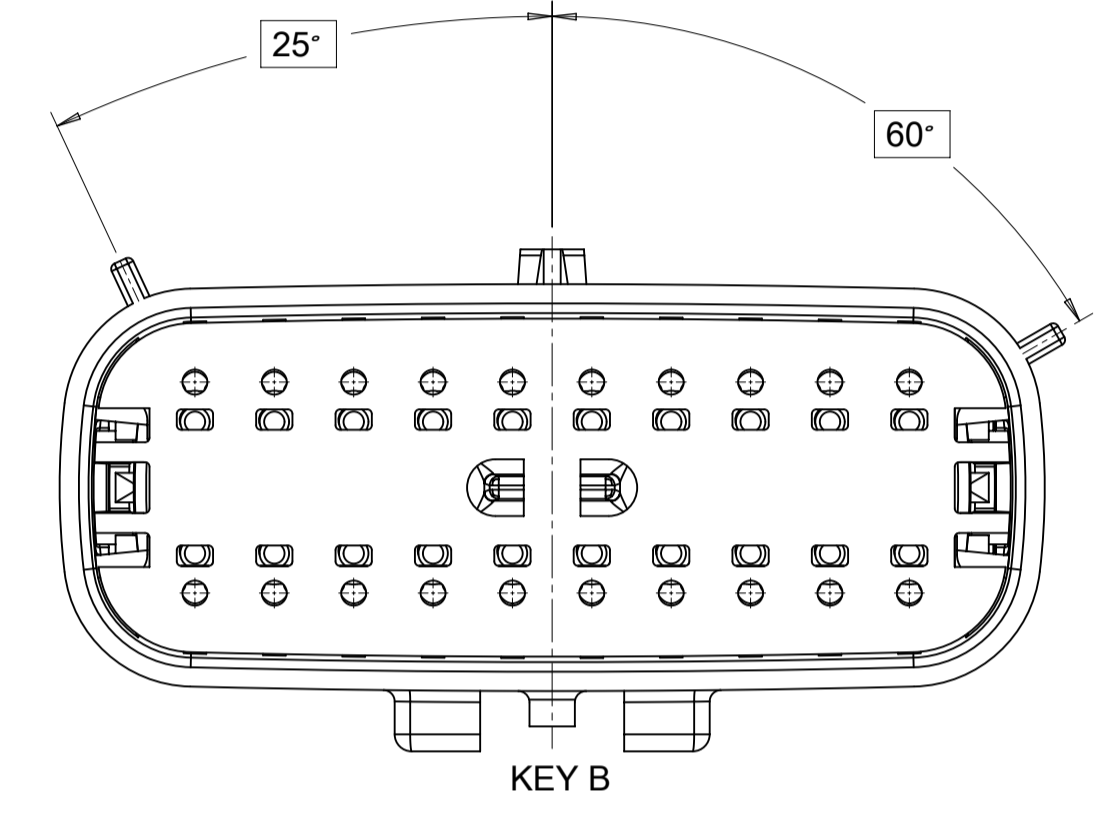


KEY D

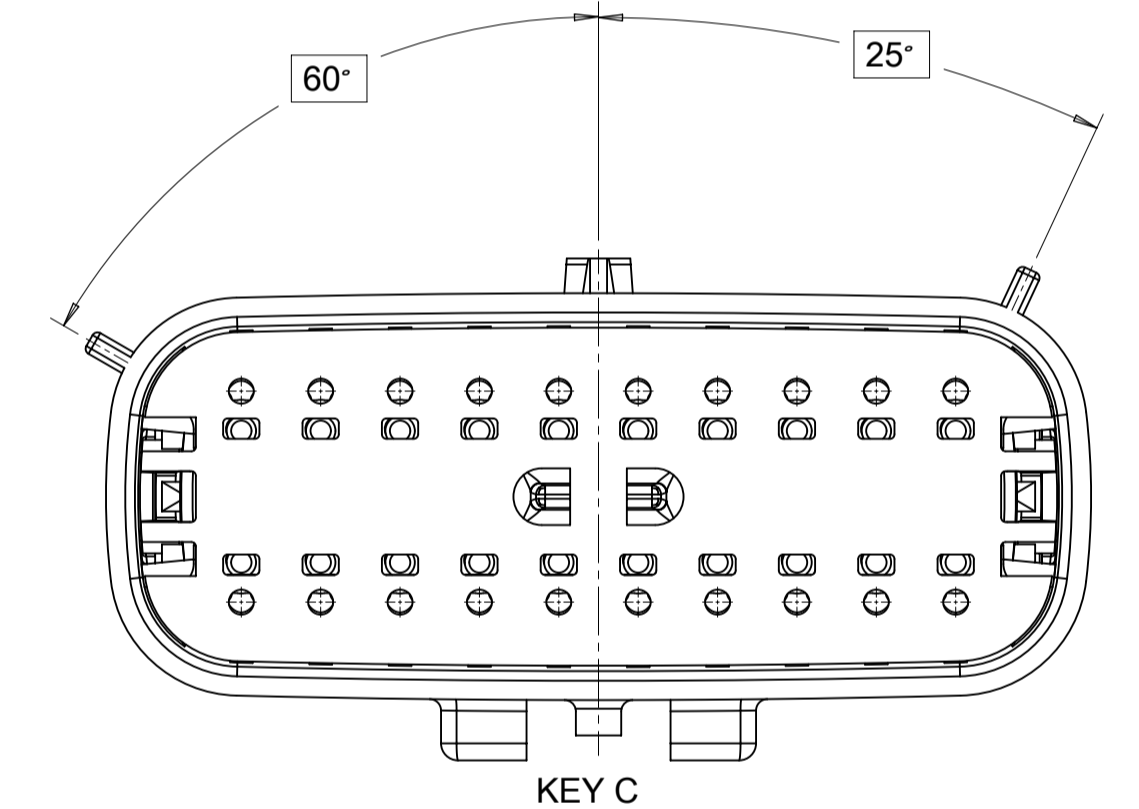
2X10



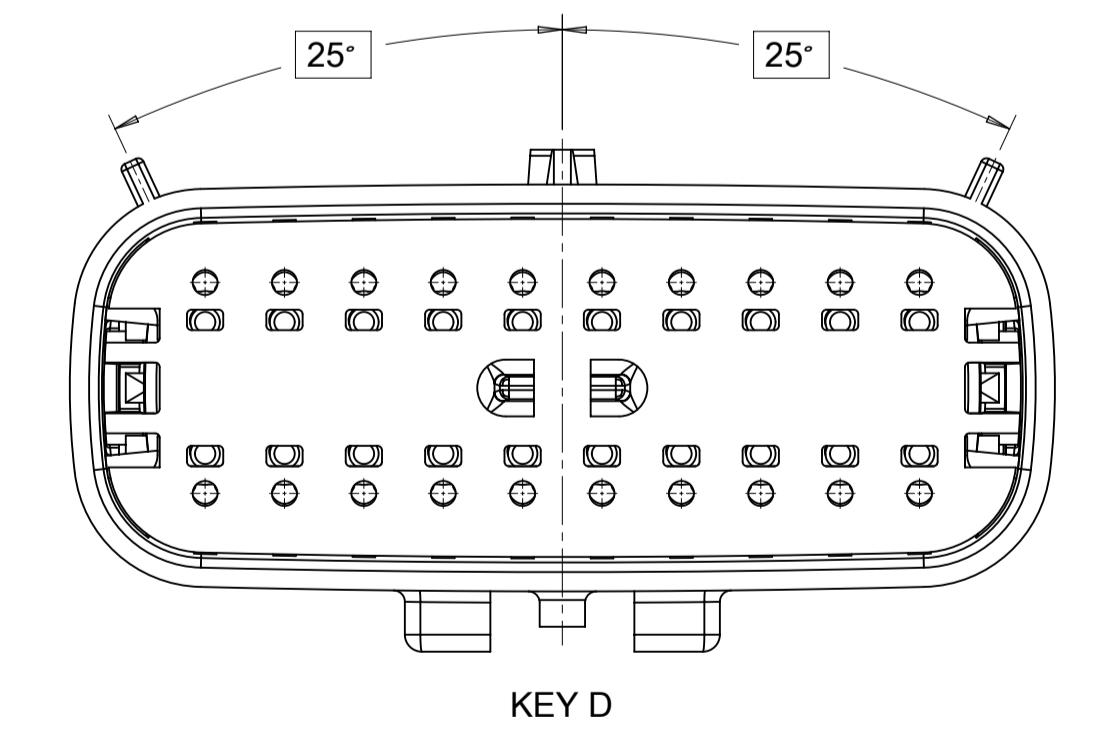
KEY A



KEY B



KEY C

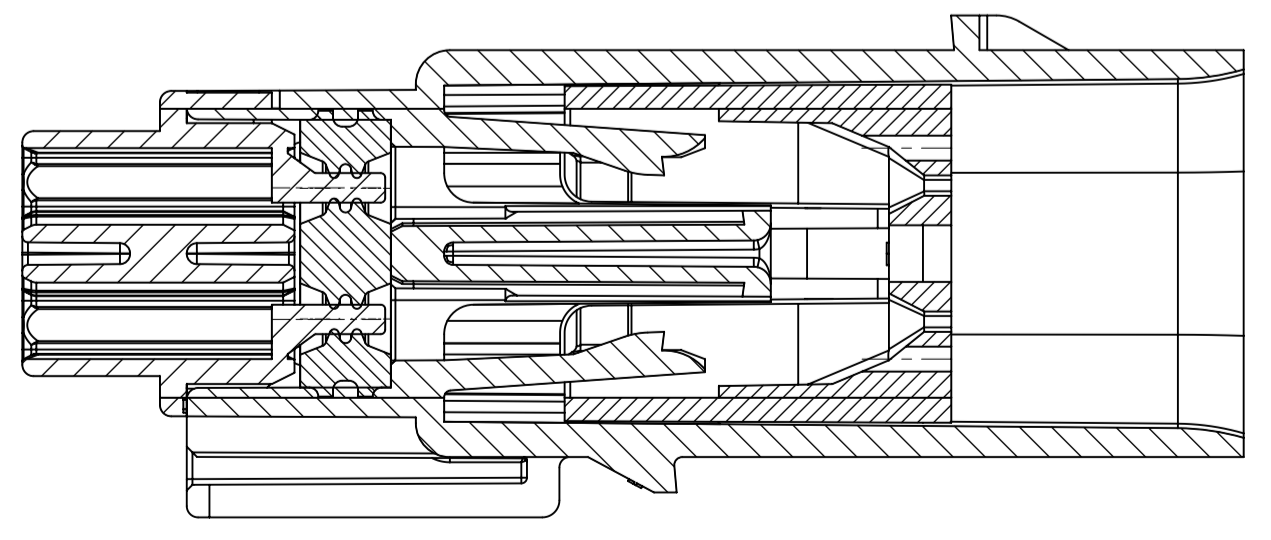
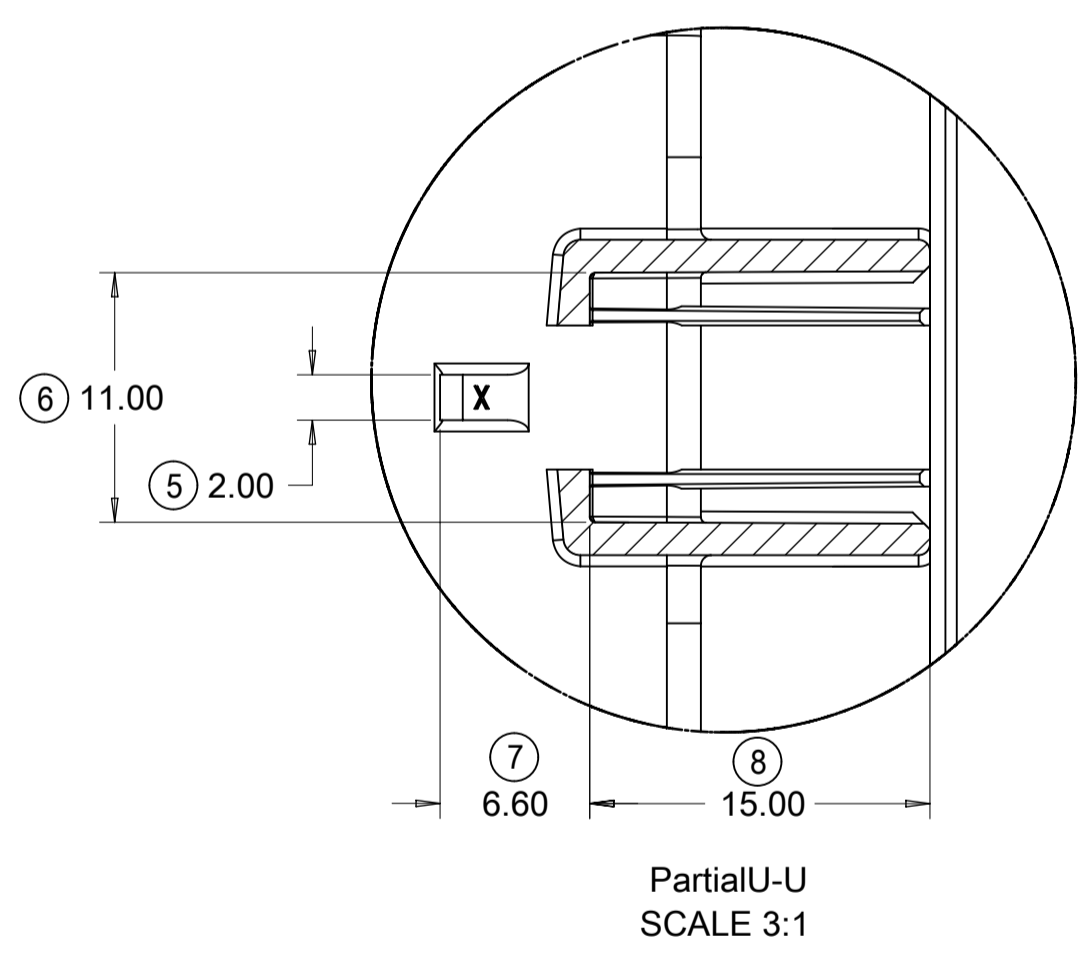
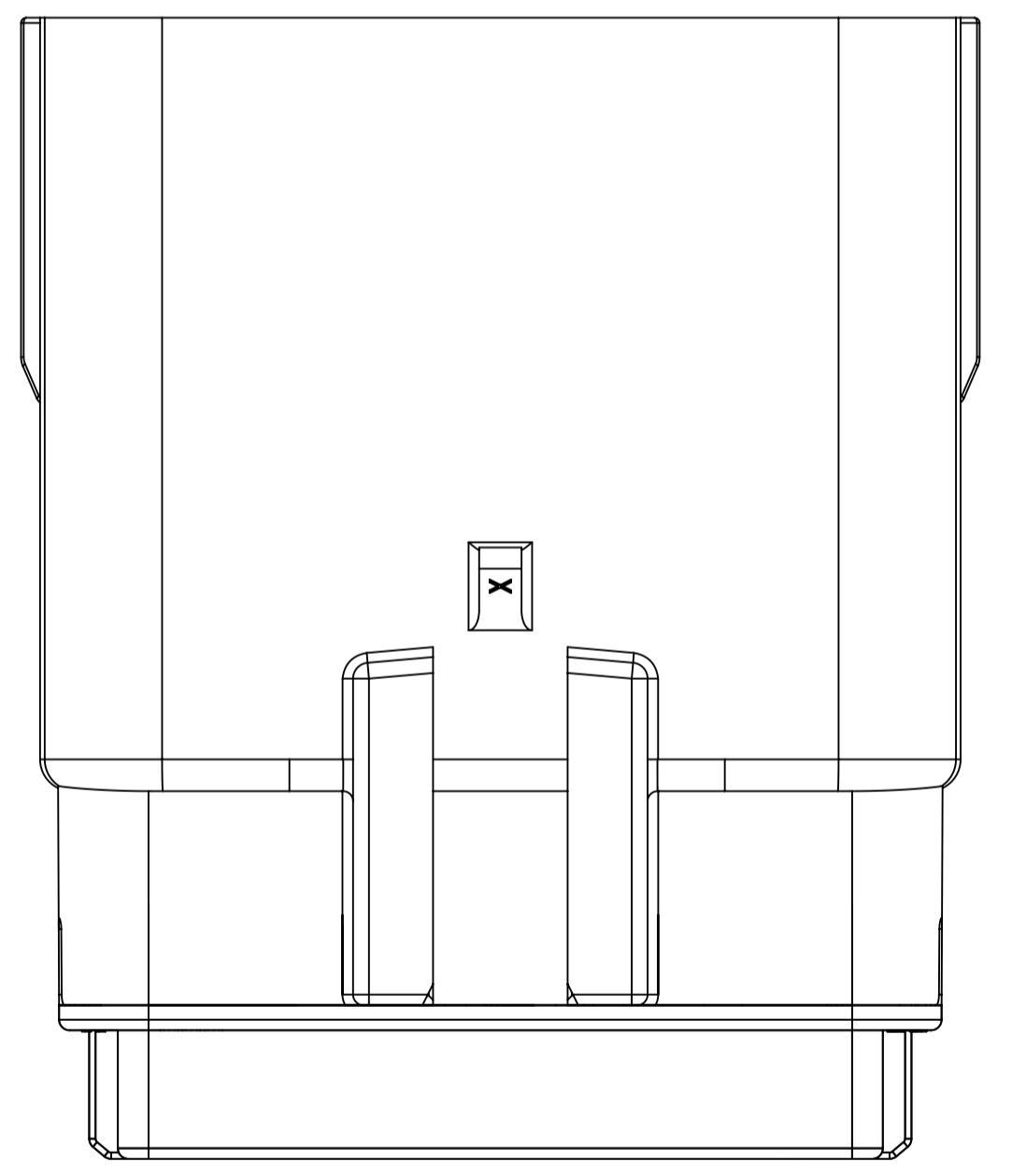
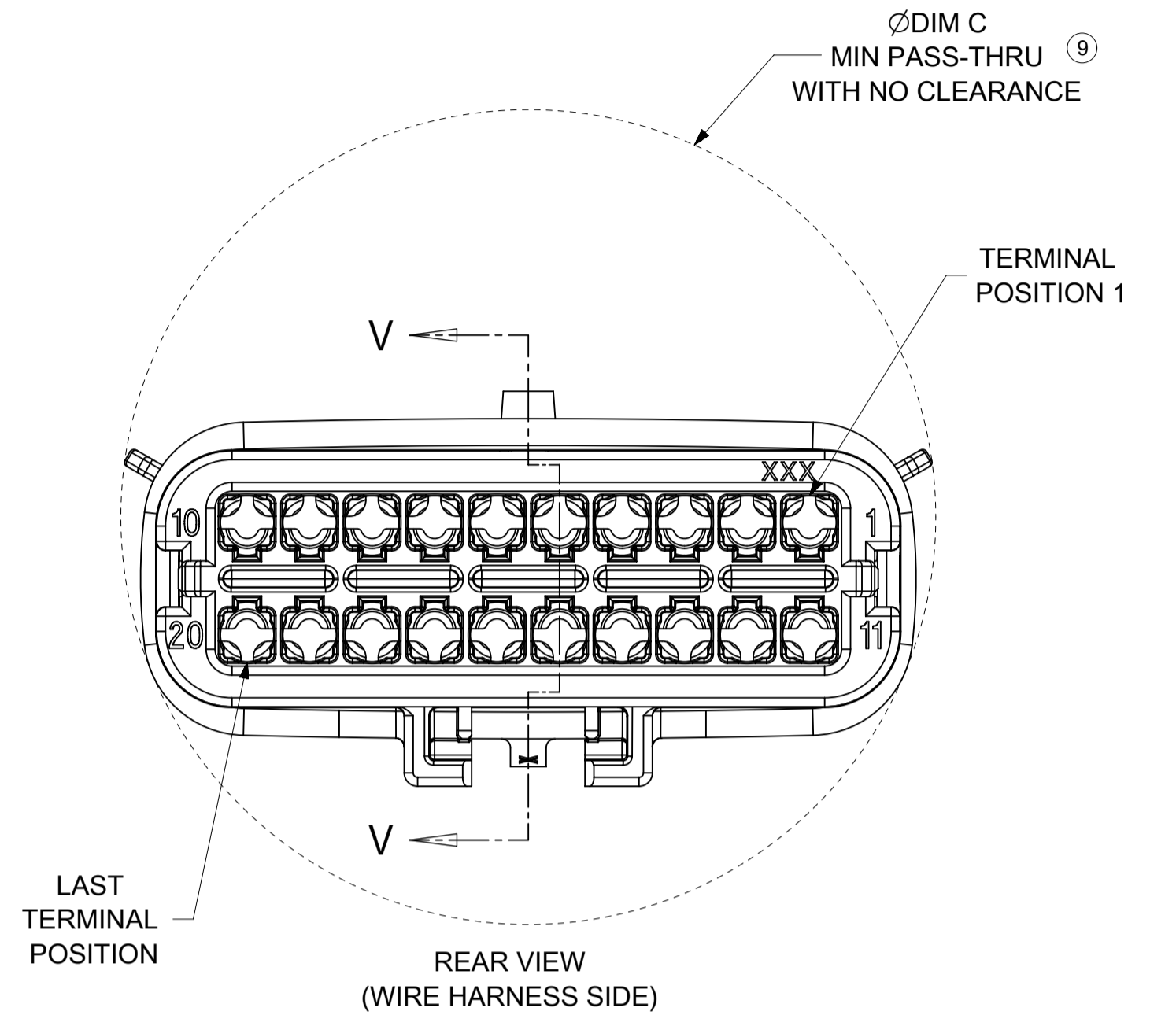
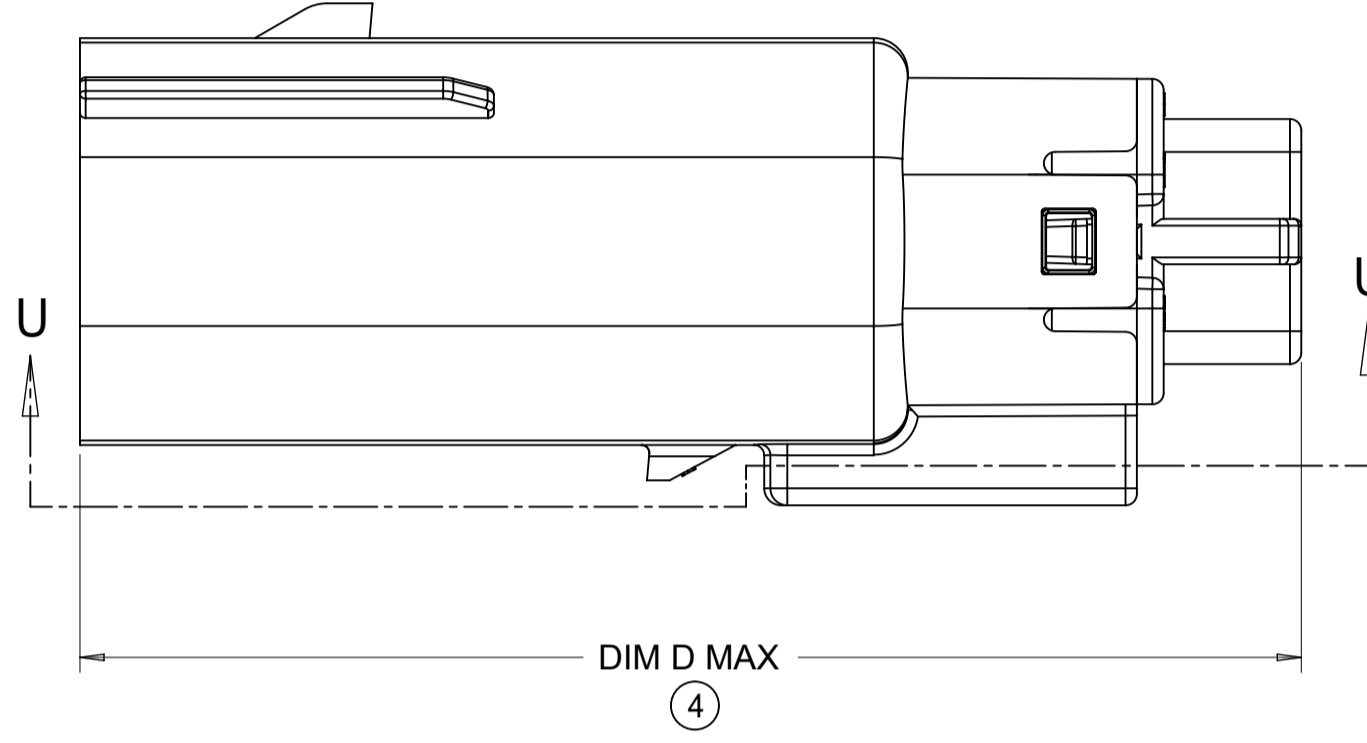
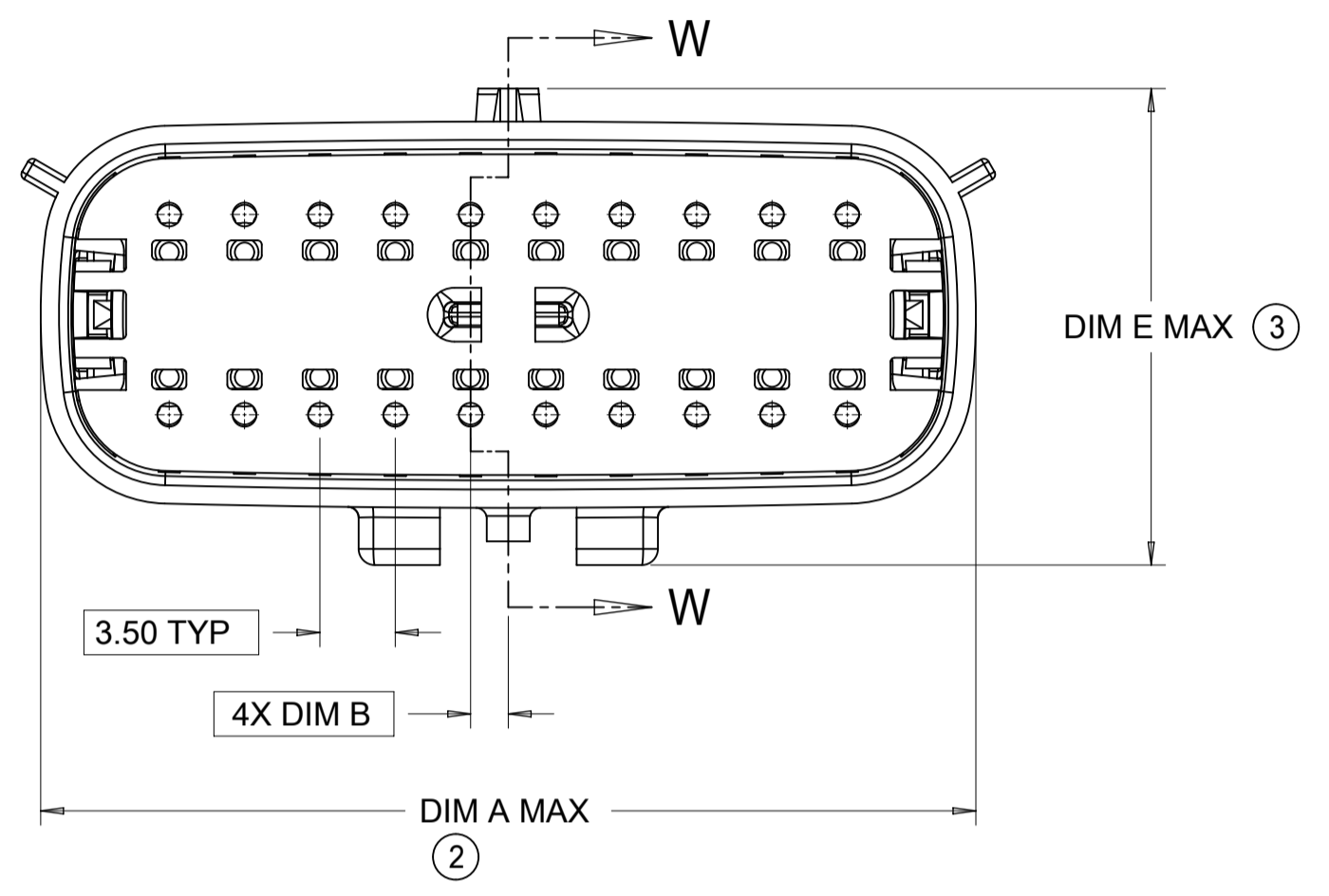
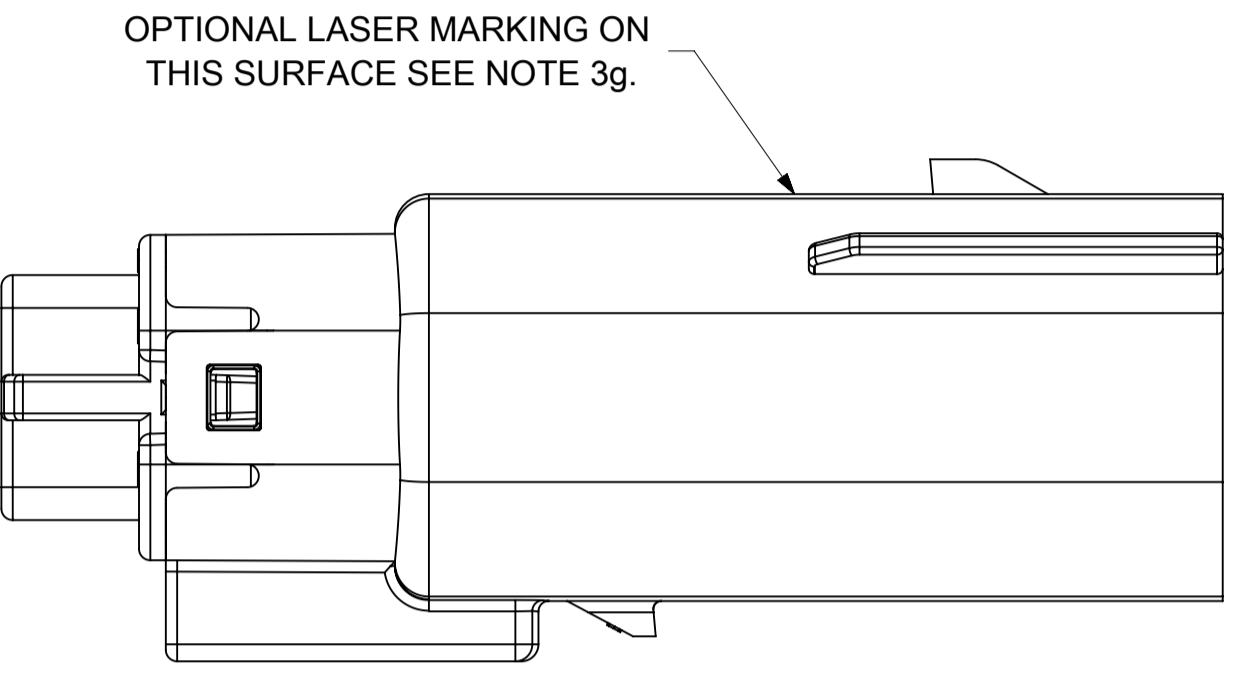


KEY D

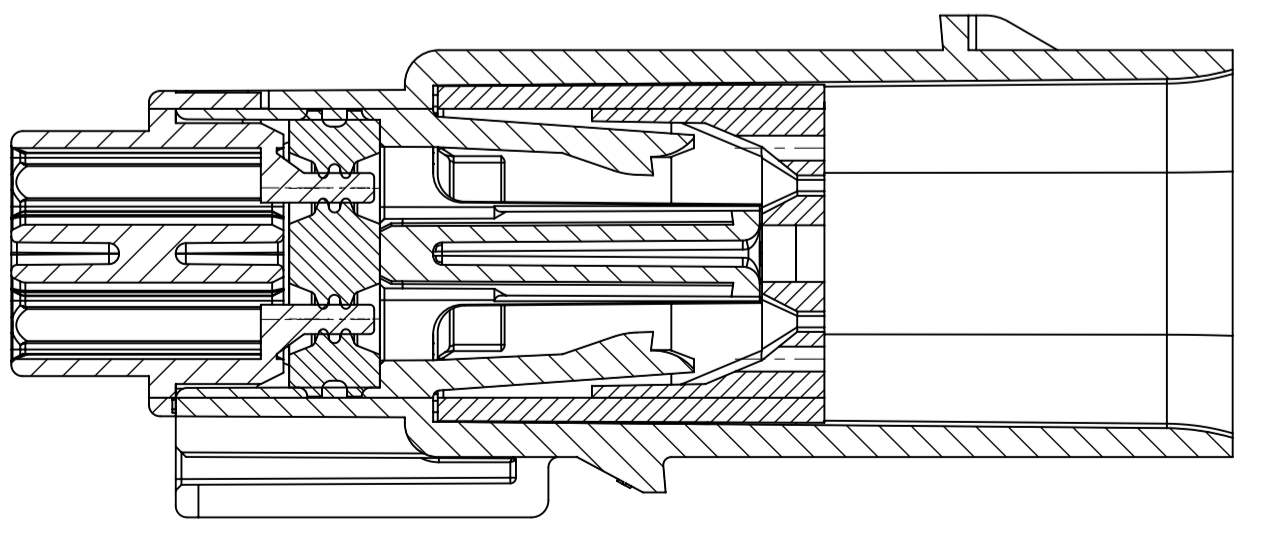
SYMBOLS	THIS DRAWING CONTAINS INFORMATION THAT IS PROPRIETARY TO MOLEX ELECTRONIC TECHNOLOGIES, LLC AND SHOULD NOT BE USED WITHOUT WRITTEN PERMISSION		CURRENT REV DESC:						
	DIMENSION UNITS	SCALE						EC NO: 171650	DRWN: PMANJUNATHAC 2018/01/03
▽ = 0	mm	3:1	GENERAL TOLERANCES (UNLESS SPECIFIED)	CHK'D: MVANSLAMBROU 2018/02/16	DUAL ROW SEALED ASSEMBLY MAT SEAL				
▽ = 0	ANGULAR TOL ± 1.0°		APPR: MVANSLAMBROU 2018/02/16	PRODUCT CUSTOMER DRAWING		DOCUMENT NUMBER	DOC TYPE	DOC PART	REVISION
▽ = 0	4 PLACES ±	INITIAL REVISION:	DRWN: APROFFITT 2014/04/28	SD-33482-0001		PSD	001	E2	
▽ = 0	3 PLACES ±	DRWN: APROFFITT 2014/05/14	APPR: VKOSHY	MATERIAL NUMBER		CUSTOMER		SHEET NUMBER	
▽ = 0	2 PLACES ± 0.1	THIRD ANGLE PROJECTION	DRAWING	GENERAL MARKET		4 OF 11			
▽ = 0	1 PLACE ± 0.2	DRAFT WHERE APPLICABLE	SERIES	A1-SIZE		33482			
▽ = 0	0 PLACES ±	MUST REMAIN WITHIN DIMENSIONS	DRAWING		CUSTOMER		GENERAL MARKET		
▽ = 0			DRAWING		CUSTOMER		GENERAL MARKET		

SHEET DESCRIPTION
BLADE SEALED ASSEMBLY

CHARTED DIMENSION					
DESCRIPTION	DIMENSIONS				
	A	B	C	D	E
2X2	15.54	1.75	24.40	54.45	22.23
2X3 STANDARD	19.04	3.50	26.21	54.45	22.23
2X3 LENGTHENED	19.04	3.50	26.21	56.45	22.23
2X4	22.54	1.75	27.21	54.45	22.23
2X6	29.54	1.75	32.27	54.45	22.23
2X8	36.54	1.75	38.88	54.45	22.23
2X10	43.64	1.75	45.65	54.45	22.05



PRIMARY LOCK REINFORCEMENT (PLR) SHOWN IN PRE-STAGED POSITION
SECTION W-W

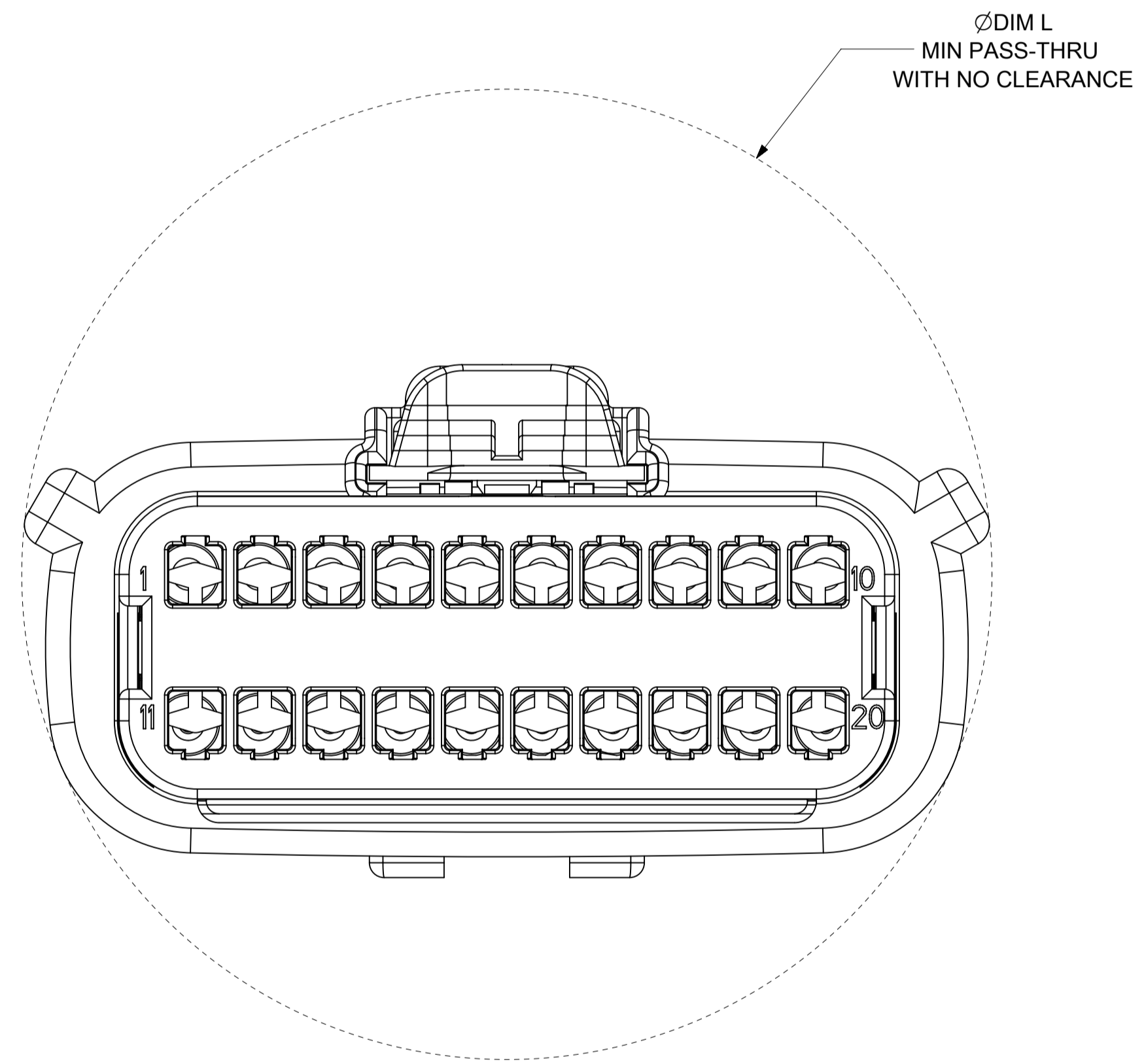
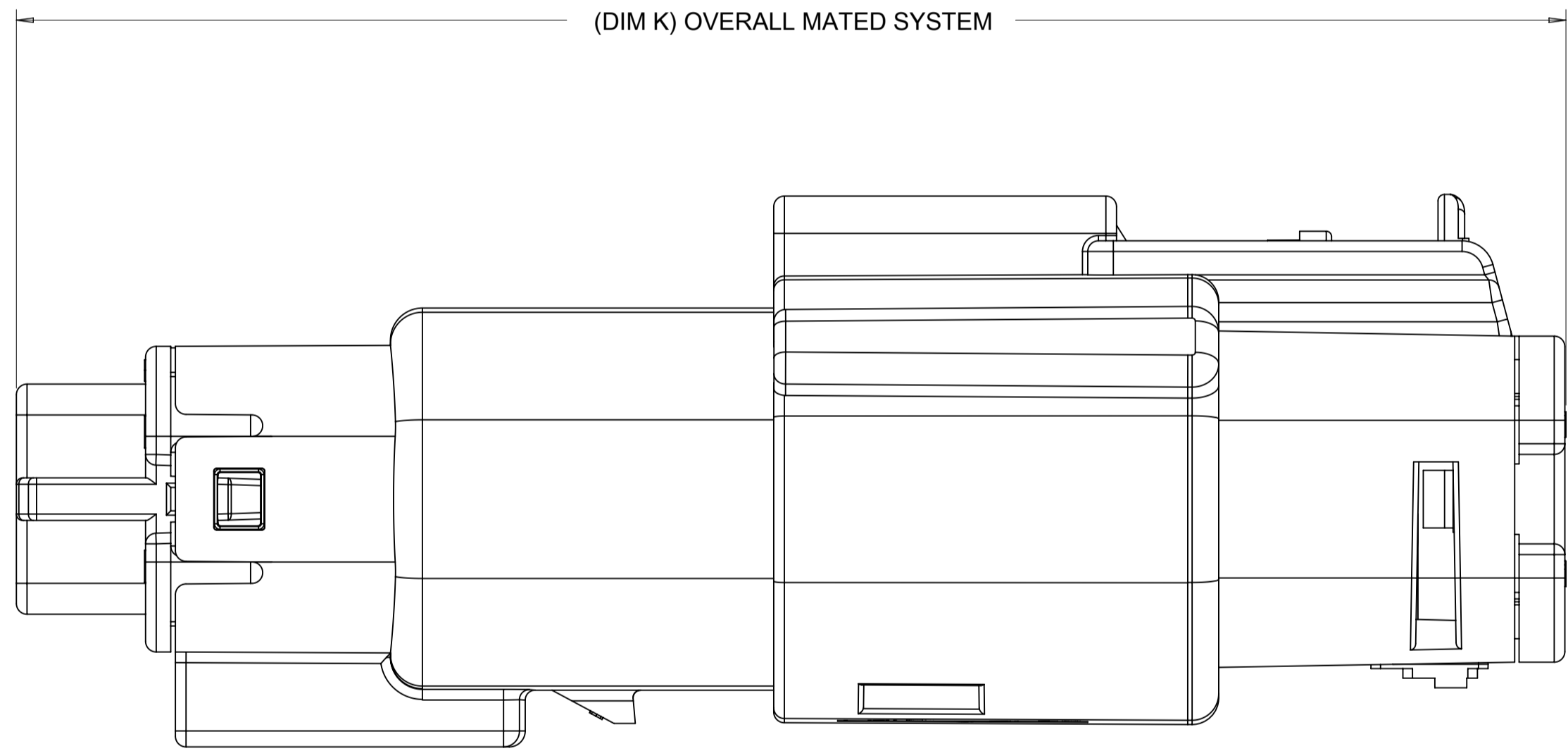


PRIMARY LOCK REINFORCEMENT (PLR) SHOWN IN FINAL-LOCK POSITION
SECTION V-V

SYMBOLS THIS DRAWING CONTAINS INFORMATION THAT IS PROPRIETARY TO MOLEX ELECTRONIC TECHNOLOGIES, LLC AND SHOULD NOT BE USED WITHOUT WRITTEN PERMISSION. DIMENSION UNITS: mm SCALE: 3:1 GENERAL TOLERANCES (UNLESS SPECIFIED): ANGULAR TOL: ± 1.0° 4 PLACES: ± 3 PLACES: ± 2 PLACES: ± 0.1 1 PLACE: ± 0.2 0 PLACES: ± DRAFT WHERE APPLICABLE MUST REMAIN WITHIN DIMENSIONS	CURRENT REV DESC:				
	EC NO: 171650 DRWN: PMANJUNATHAC 2018/01/03 CHK'D: MVANSLAMBROU 2018/02/16 APPR: MVANSLAMBROU 2018/02/16				
	INITIAL REVISION: DRWN: APROFFITT 2014/04/28 APPR: VKOSHY 2014/05/14		PRODUCT CUSTOMER DRAWING DOCUMENT NUMBER: SD-33482-0001 DOC TYPE: PSD DOC PART: 001 REVISION: E2		
	THIRD ANGLE PROJECTION 		DRAWING: A1-SIZE SERIES: 33482		MATERIAL NUMBER: GENERAL MARKET CUSTOMER: SHEET NUMBER: 5 OF 11

SHEET DESCRIPTION
SYSTEM PACKAGING

CHARTED DIMENSION				
CKT	BLADE CONFIGURATION	RECEPTACLE CONFIGURATION	DIMENSIONS	
			K	L
2X2	STANDARD	W/O CLIPSLOT	72.78	28.00
		W/ CLIPSLOT	72.78	28.50
		LENGTHENED	77.21	28.00
2X3	STANDARD	W/O CLIPSLOT	72.78	28.00
		W/ CLIPSLOT		30.50
	LENGTHENED	W/O CLIPSLOT	74.79	28.00
		W/ CLIPSLOT		30.50
2X4	STANDARD	W/O CLIPSLOT	72.78	29.50
		W/ CLIPSLOT		31.50
2X6	STANDARD	W/O CLIPSLOT	72.79	35.58
		W/ CLIPSLOT		
2X8	STANDARD	W/O CLIPSLOT	72.67	42.25
		W/ CLIPSLOT		
2X10	STANDARD	STANDARD	72.78	49.05

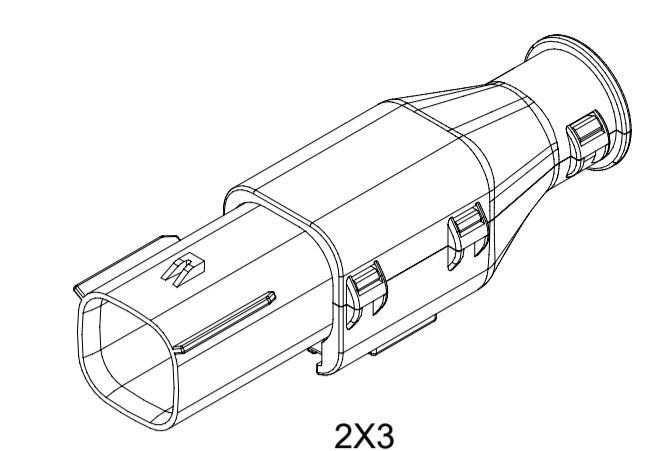


SYMBOLS ▽ = 0 ▽ = 0 ▽ = 0 ▽ = 0 ▽ = 0 ▽ = 0 ▽ = 0 ▽ = 0 ▽ = 0 ▽ = 0	THIS DRAWING CONTAINS INFORMATION THAT IS PROPRIETARY TO MOLEX ELECTRONIC TECHNOLOGIES, LLC AND SHOULD NOT BE USED WITHOUT WRITTEN PERMISSION	DIMENSION UNITS	SCALE	CURRENT REV DESC:						
	mm	4:1	EC NO: 171650 DRWN: PMANJUNATHAC 2018/01/03 CHK'D: MVANSLAMBROU 2018/02/16 APPR: MVANSLAMBROU 2018/02/16							
	GENERAL TOLERANCES (UNLESS SPECIFIED)				INITIAL REVISION: DRWN: APROFFITT 2014/04/28 APPR: VKOSHY 2014/05/14			PRODUCT CUSTOMER DRAWING		
	ANGULAR TOL ± 1.0°							DOCUMENT NUMBER		
	4 PLACES ±				DRWN: APROFFITT 2014/04/28 APPR: VKOSHY 2014/05/14			SD-33482-0001		
	3 PLACES ±							MATERIAL NUMBER		
	2 PLACES ± 0.1				DRAFT WHERE APPLICABLE MUST REMAIN WITHIN DIMENSIONS			GENERAL MARKET		
	1 PLACE ± 0.2							THIRD ANGLE PROJECTION		
	0 PLACES ±				A1-SIZE			SERIES		
	0 PLACES ±				33482			SHEET NUMBER		
0 PLACES ±				6 OF 11			6 OF 11			

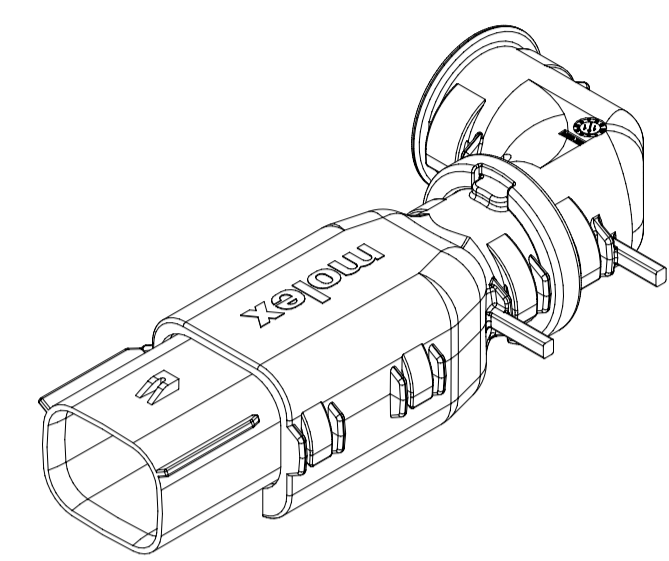
SHEET DESCRIPTION
BACKSHELL NOTES

BACKSHELL NOTES: VALID UNLESS OTHERWISE SPECIFIED

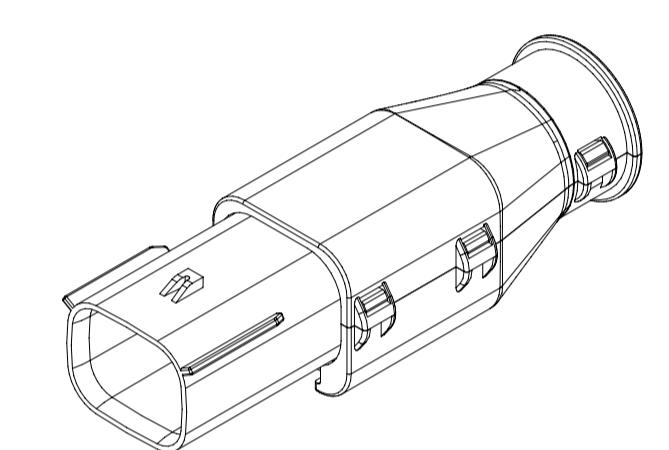
1. GENERAL:
a. APPLICATION SPECIFICATION SEE: AS-34951-001
-DESIGNED TO MATE WITH BLADE SEALED ASSEMBLY SPECIFIED IN MOLEX DRAWING SD-33482-0001.
-SYSTEM TO BE USED WITH WIRE WITHIN DIAMETER RANGE OF 1.2mm TO 2.69mm.
-COMPONENTS ARE OPTIONAL AND MUST BE PURCHASED SEPERATELY.
-DESIGN IS OWNED BY SCHLEMMER FOR SCHLEMMER BACKSHELL.
-DESIGN IS OWNED BY MOLEX FOR MOLEX BACKSHELL.
-90° ADAPTOR DESIGN IS OWNED BY MOLEX.
-FOR ADDITIONAL INFORMATION SEE THE BACKSHELL COMPONENT DRAWING SD-34950-0001.



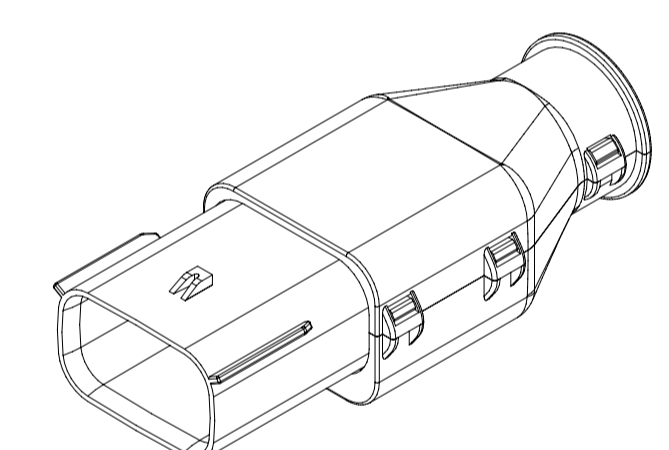
2X3



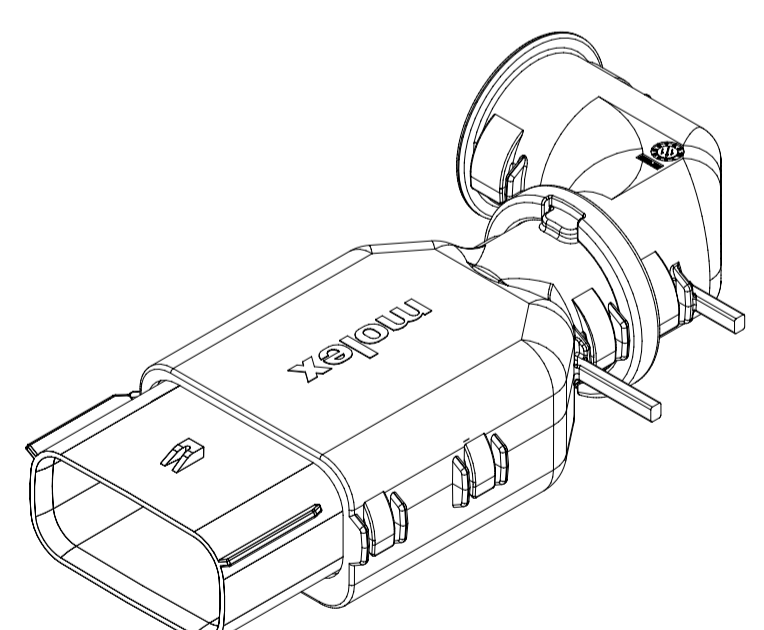
2X4



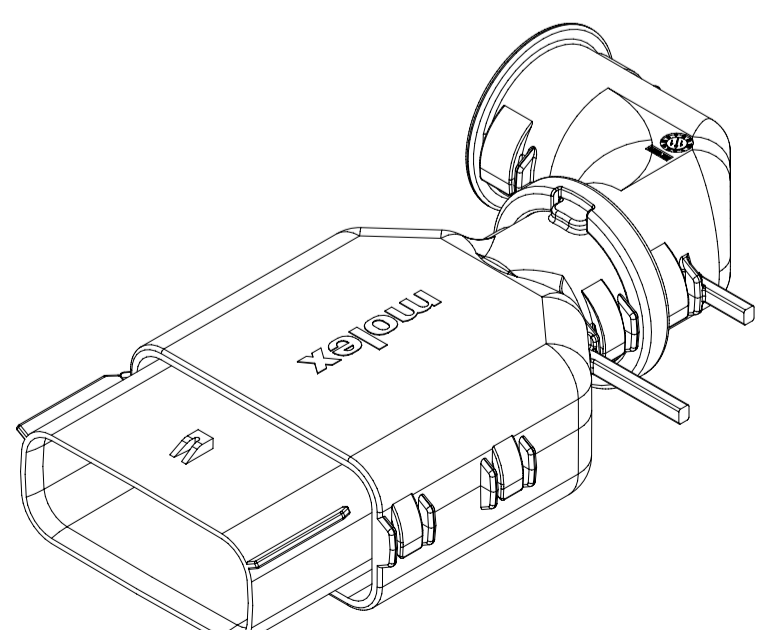
2X4



2X6



2X8



2X10

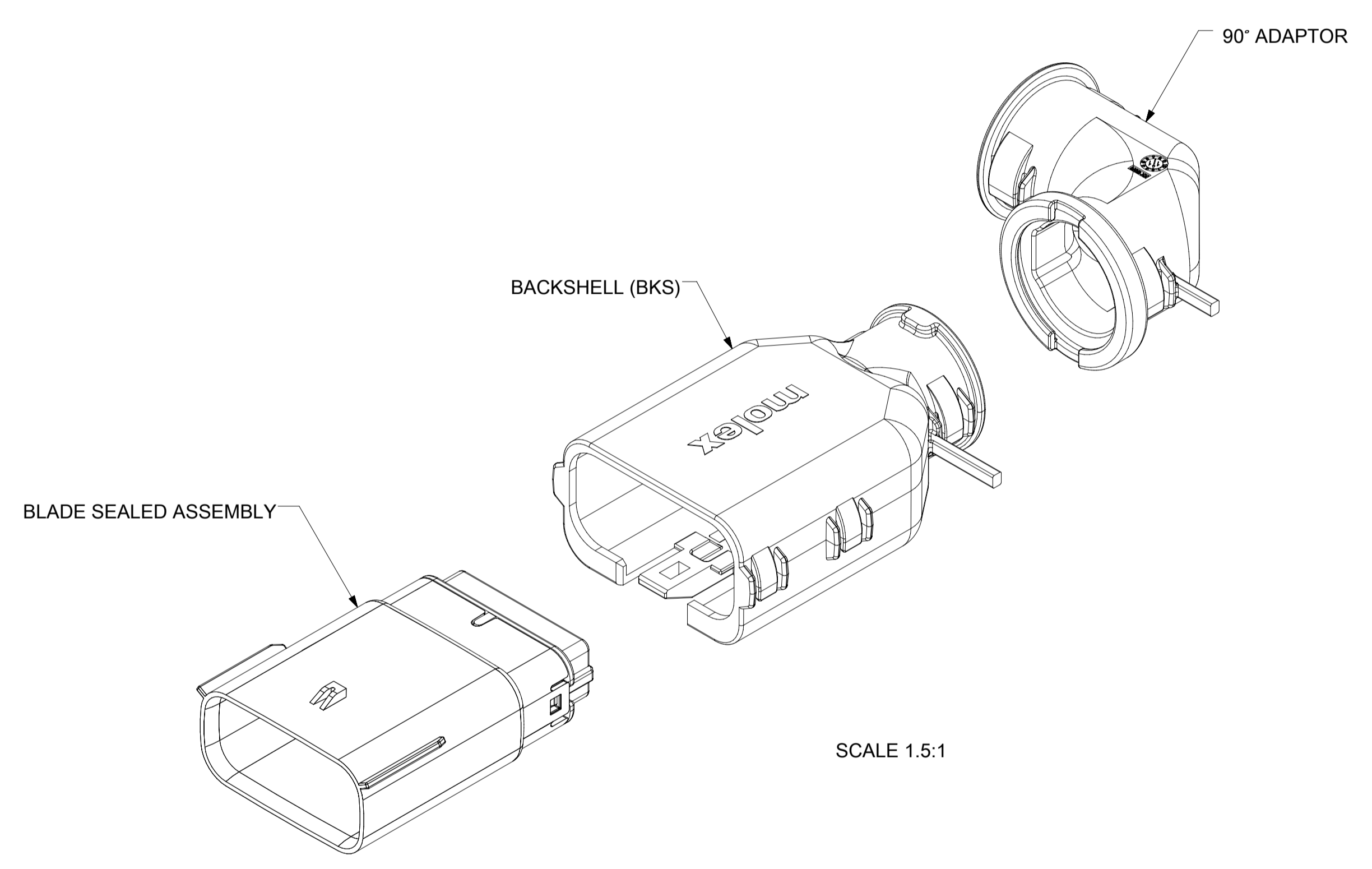
BACKSHELL CUSTOMER MODEL NUMBER LEGEND

34950-XXXX

- CUSTOMER MODEL COMPONENTS
0 - SCHLEMMER BACKSHELL ONLY
1 - SCHLEMMER BACKSHELL & MX150 HOUSING KEY A ASSEMBLY
2 - SCHLEMMER BACKSHELL & MX150 HOUSING KEY B ASSEMBLY
3 - SCHLEMMER BACKSHELL & MX150 HOUSING KEY C ASSEMBLY
4 - SCHLEMMER BACKSHELL & MX150 HOUSING KEY D ASSEMBLY
5 - MOLEX BACKSHELL ONLY
6 - MOLEX BACKSHELL & MX150 HOUSING KEY A ASSEMBLY
7 - MOLEX BACKSHELL & MX150 HOUSING KEY B ASSEMBLY
8 - MOLEX BACKSHELL & MX150 HOUSING KEY C ASSEMBLY
9 - MOLEX BACKSHELL & MX150 HOUSING KEY D ASSEMBLY

- BACKSHELL FEATURES
1 - WITH RIBS
2 - WITHOUT RIBS
3 - 90° ADAPTOR

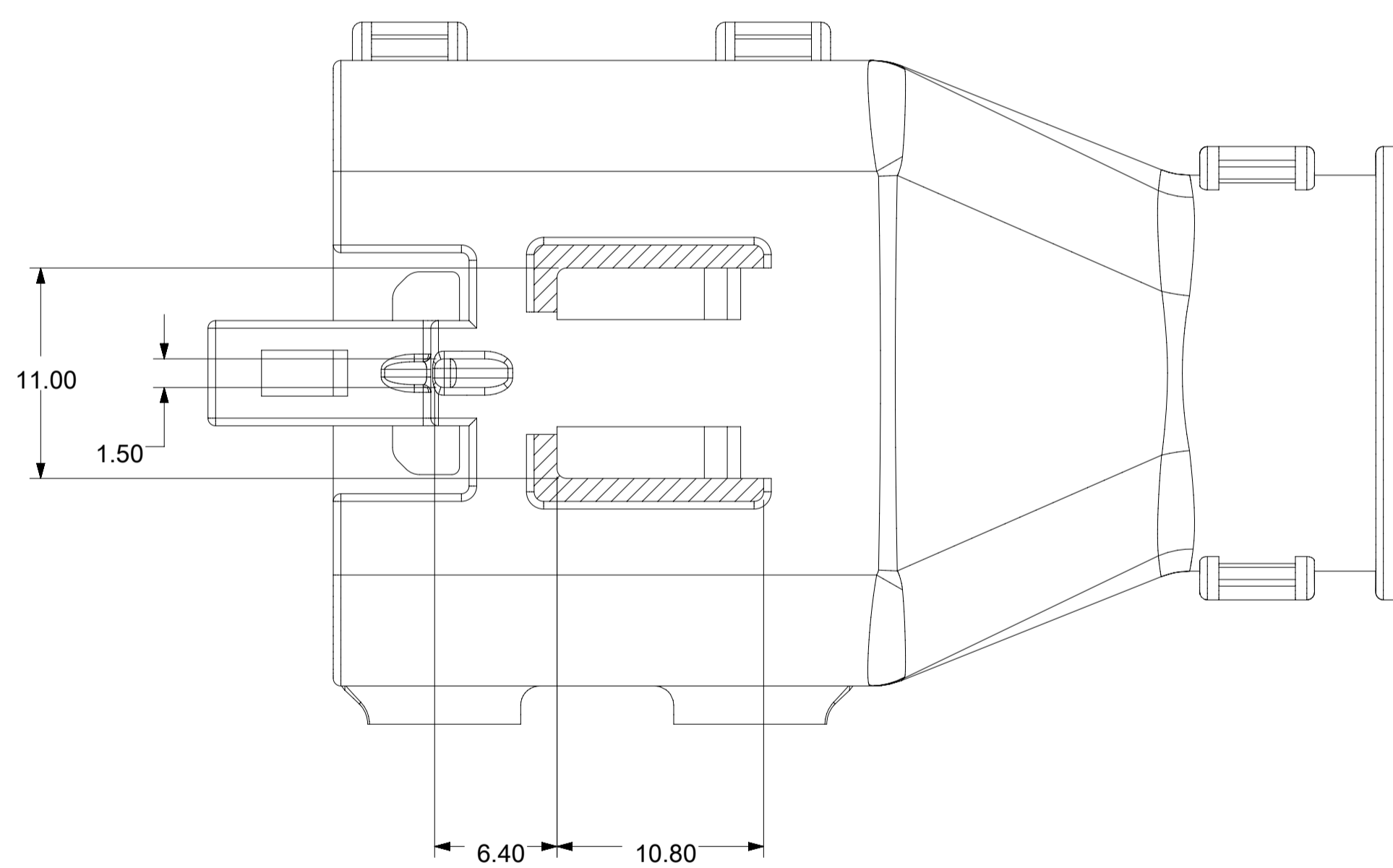
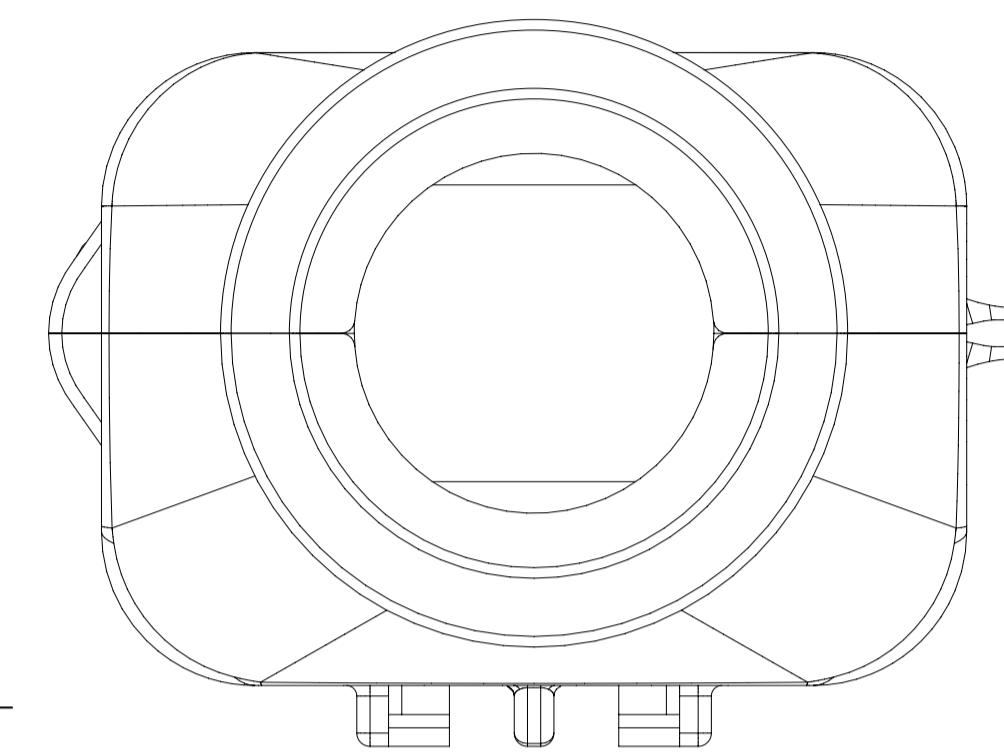
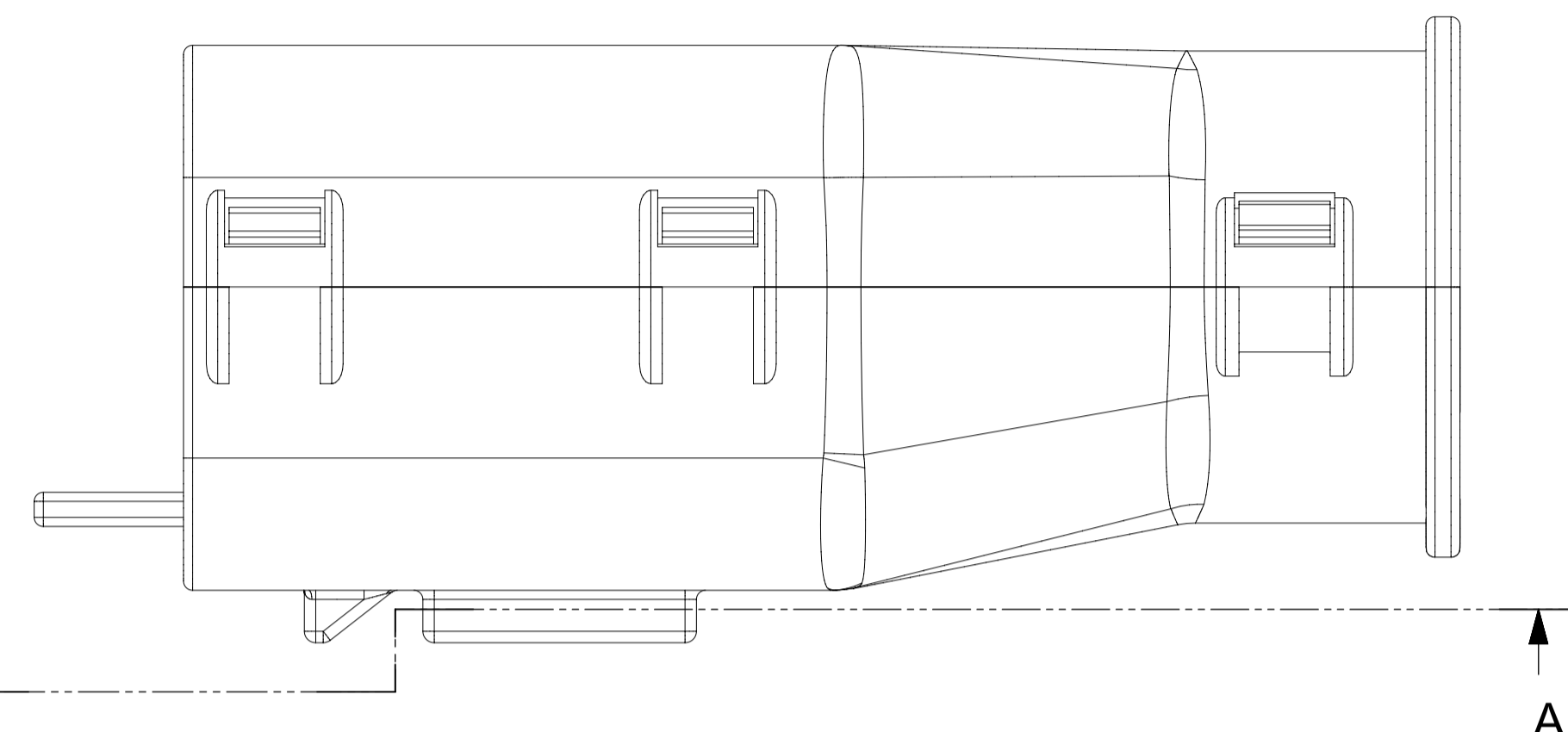
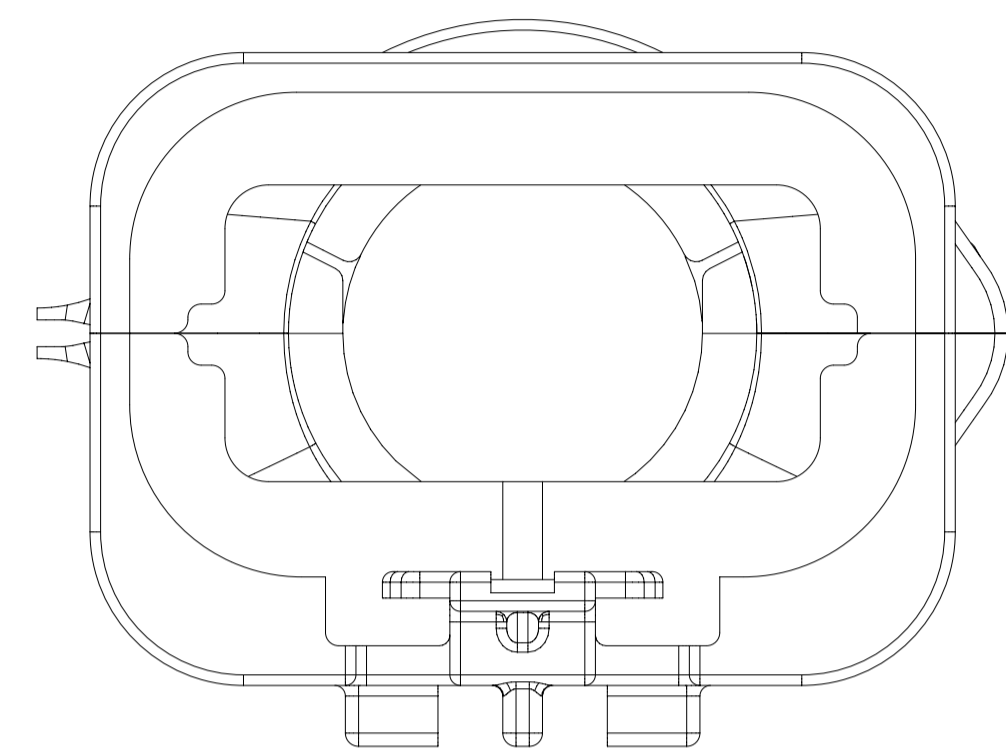
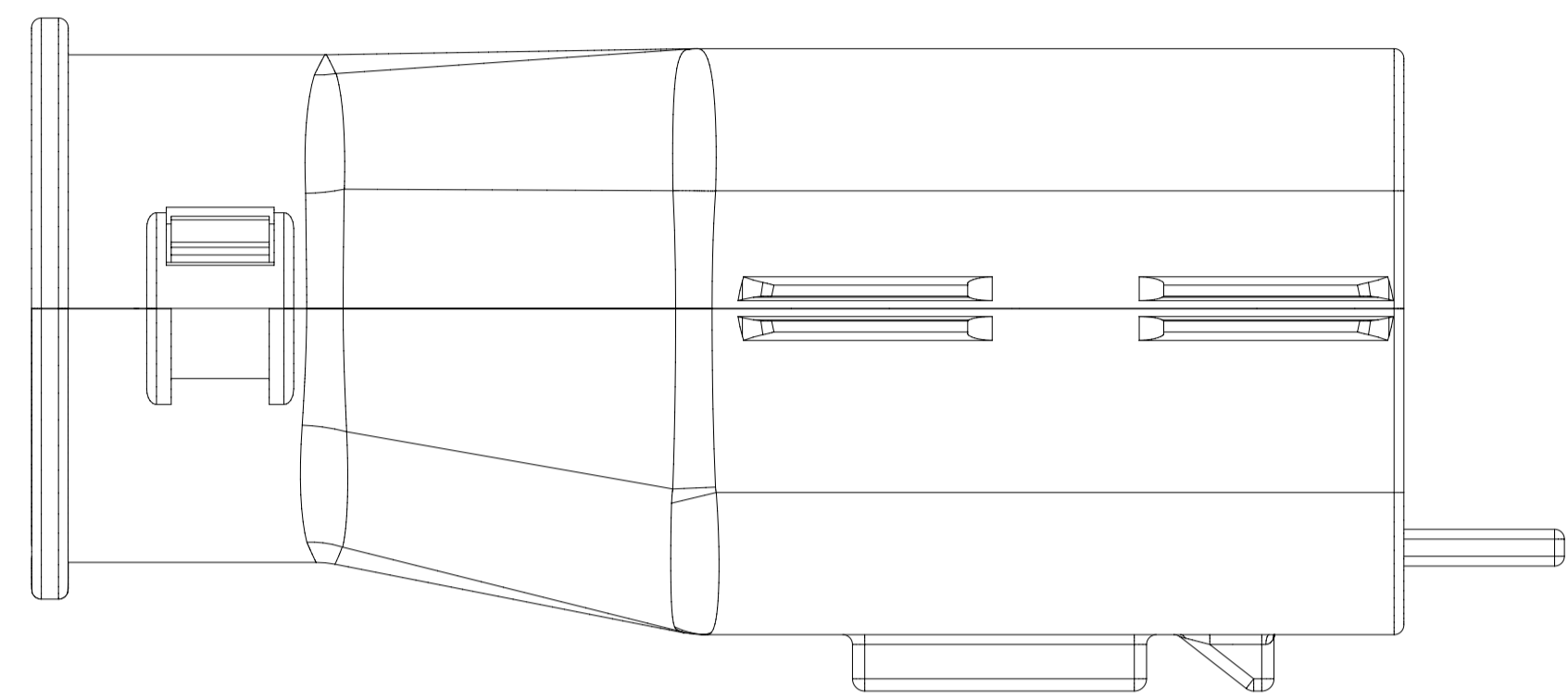
MX150 CIRCUIT SIZE 04, 06, 08, 12, 16, 20



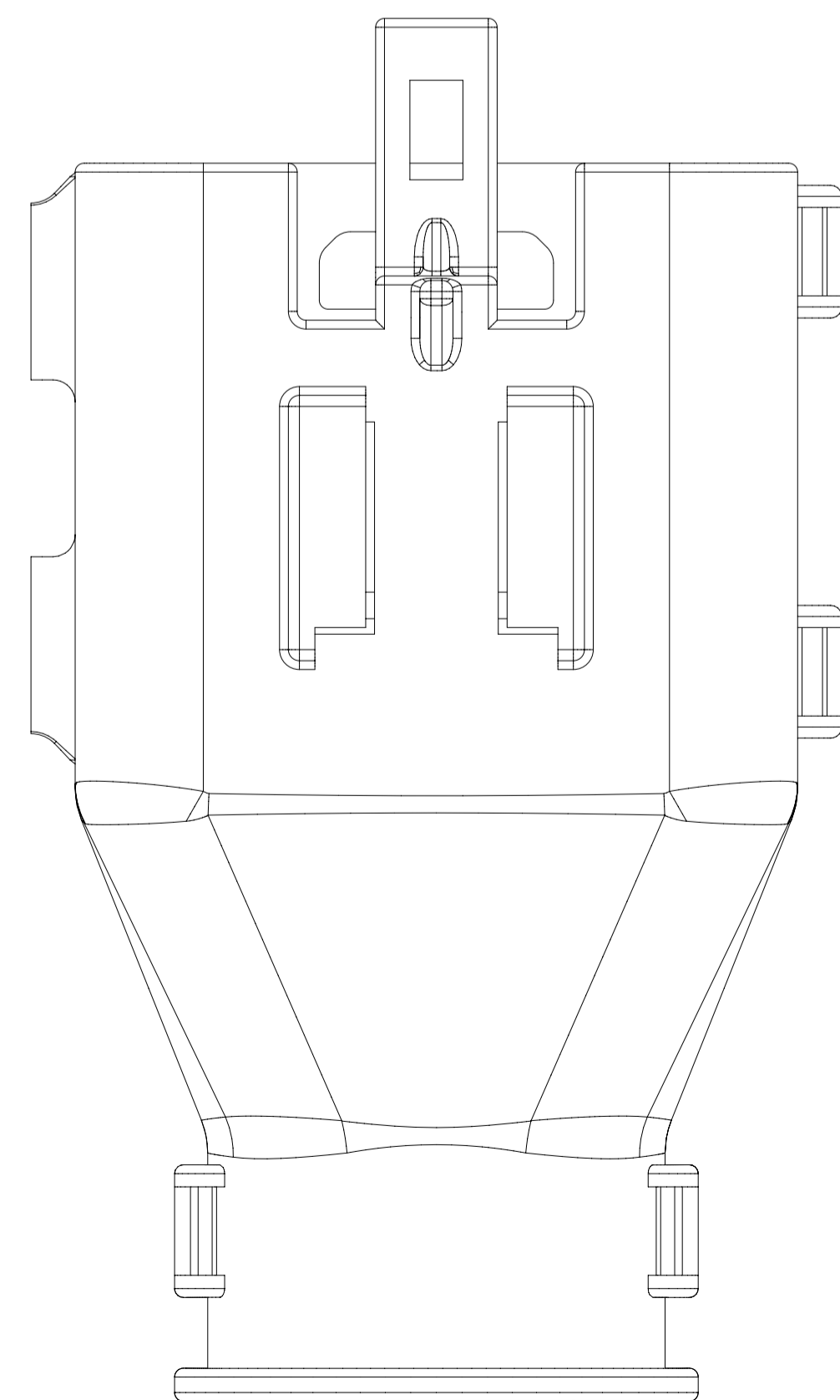
SYMBOLS	THIS DRAWING CONTAINS INFORMATION THAT IS PROPRIETARY TO MOLEX ELECTRONIC TECHNOLOGIES, LLC AND SHOULD NOT BE USED WITHOUT WRITTEN PERMISSION		CURRENT REV DESC:					
	DIMENSION UNITS	SCALE						EC NO: 171650
▽ = 0	mm	1.5:1	DRWN: APROFFITT 2014/04/28	CHK'D: MVANSLAMBROU 2018/02/16	SD-33482-0001	PSD	001	E2
▽ = 0	GENERAL TOLERANCES (UNLESS SPECIFIED)		APPR: MVANSLAMBROU 2018/02/16	INITIAL REVISION:	PRODUCT CUSTOMER DRAWING			
▽ = 0	ANGULAR TOL ± 1.0°		DRWN: APROFFITT 2014/04/28	APPR: VKOSHY 2014/05/14	DOCUMENT NUMBER			
▽ = 0	4 PLACES ±		INITIAL REVISION:		SD-33482-0001			
▽ = 0	3 PLACES ±		DRWN: APROFFITT 2014/04/28		DOC TYPE			
▽ = 0	2 PLACES ± 0.1		APPR: VKOSHY 2014/05/14		DOC PART			
▽ = 0	1 PLACE ± 0.2		DRWN: APROFFITT 2014/04/28		REVISION			
▽ = 0	0 PLACES ±		APPR: VKOSHY 2014/05/14		MATERIAL NUMBER			
▽ = 0	DRAFT WHERE APPLICABLE MUST REMAIN WITHIN DIMENSIONS		THIRD ANGLE PROJECTION		CUSTOMER			
▽ = 0			DRAWING		SHEET NUMBER			
			A1-SIZE		GENERAL MARKET			
			33482		7 OF 11			

SHEET DESCRIPTION

SCHLEMMER BACKSHELL

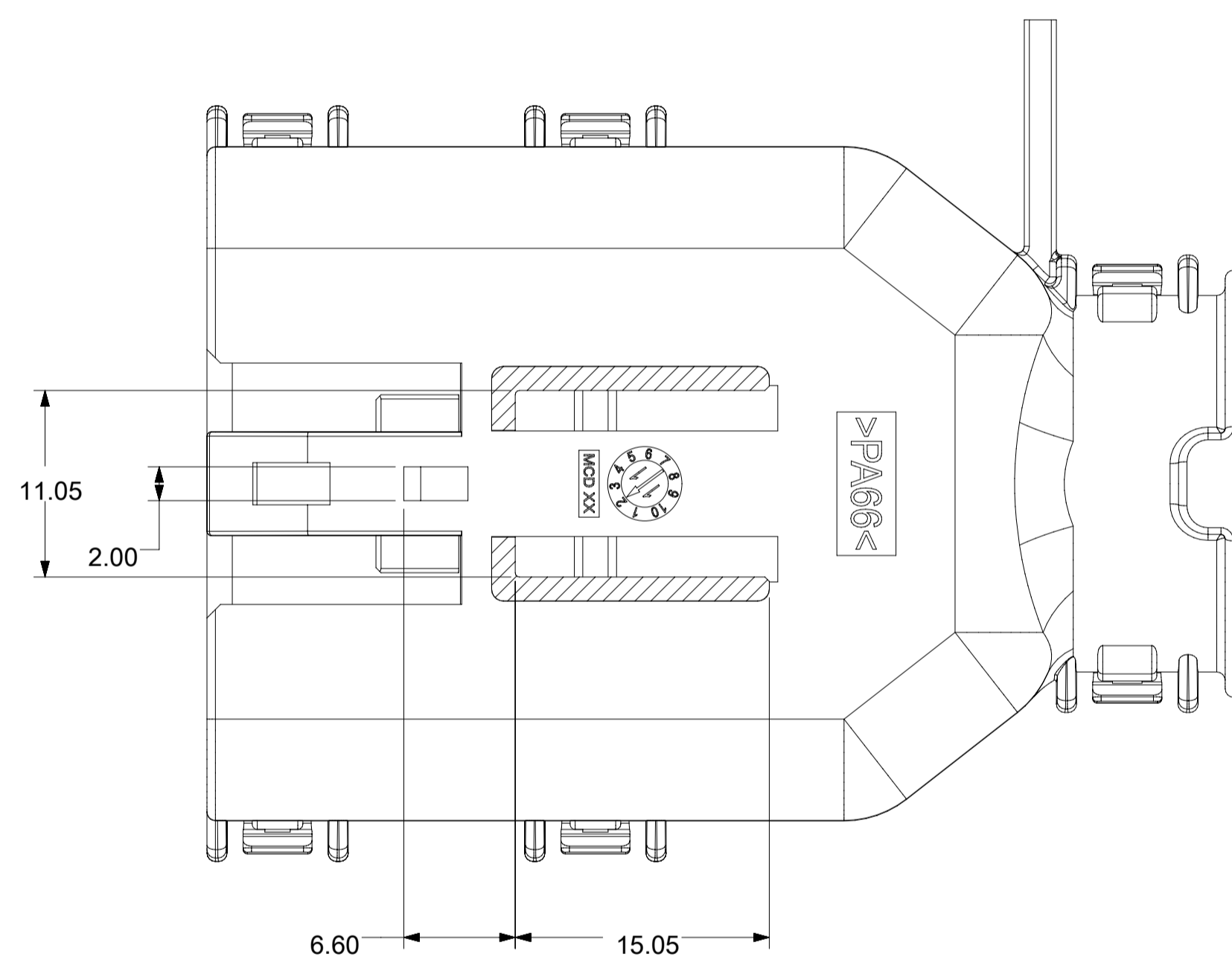
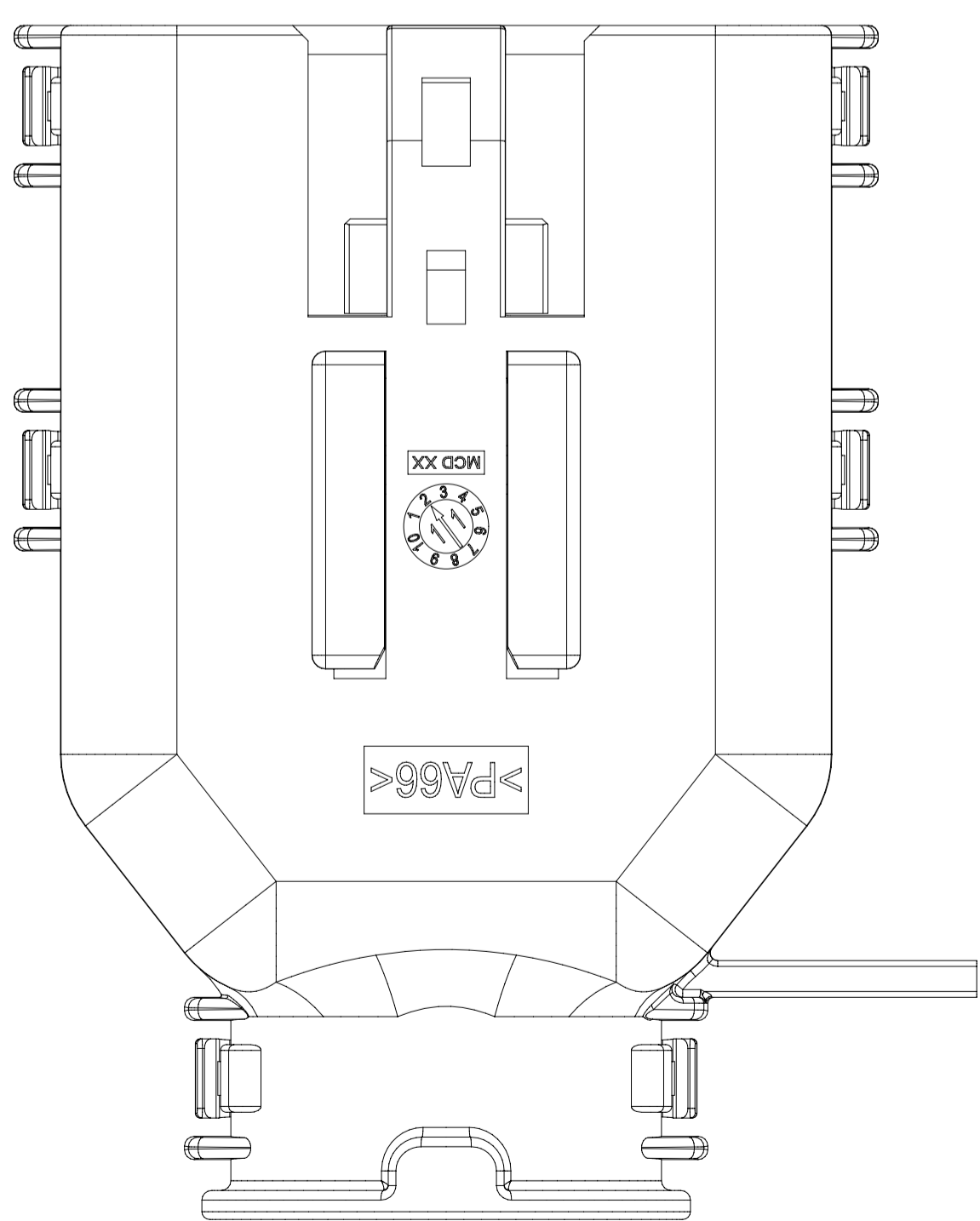
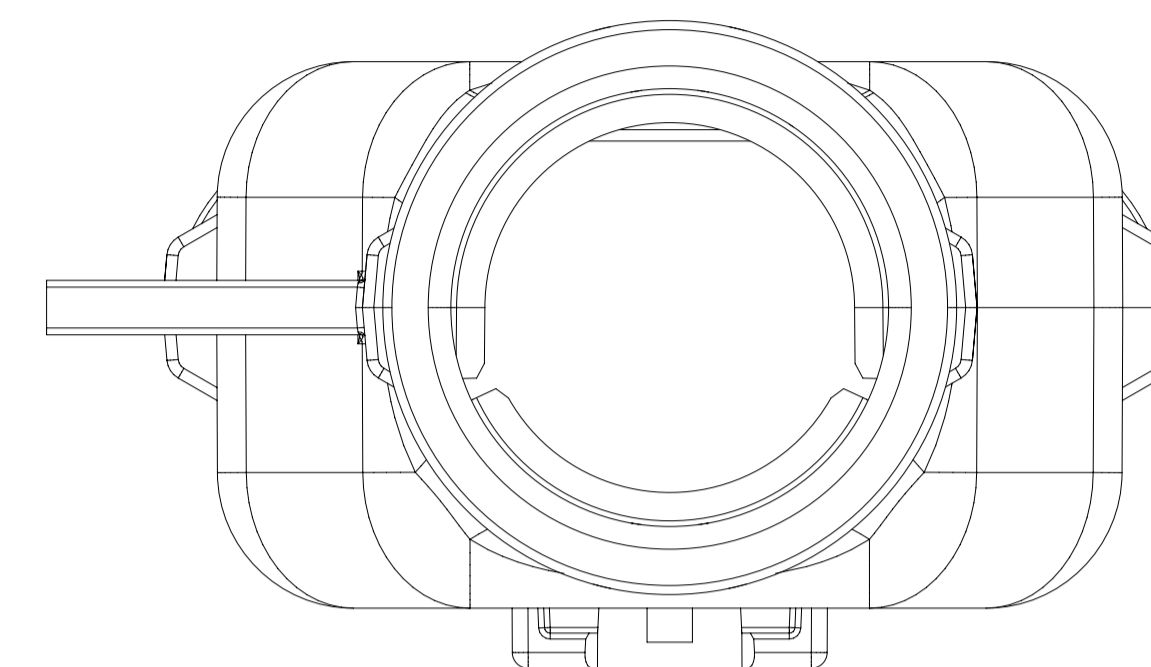
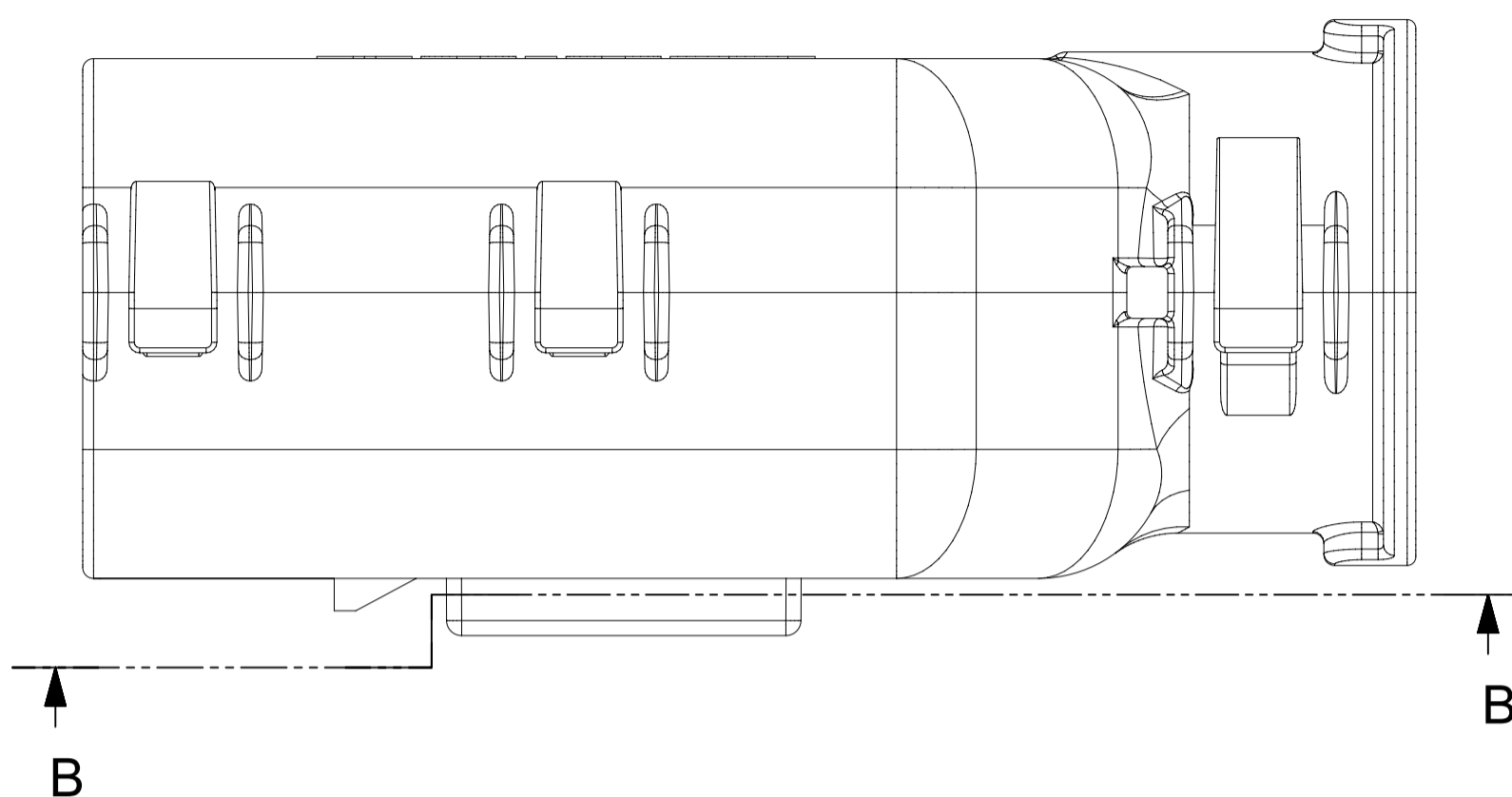
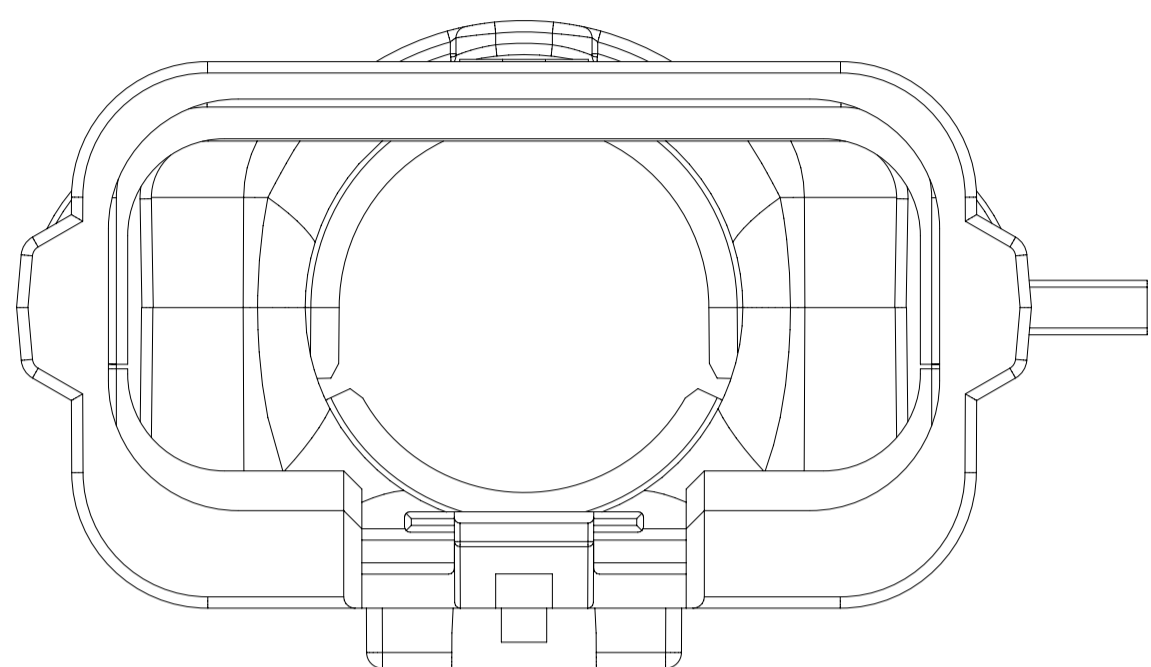
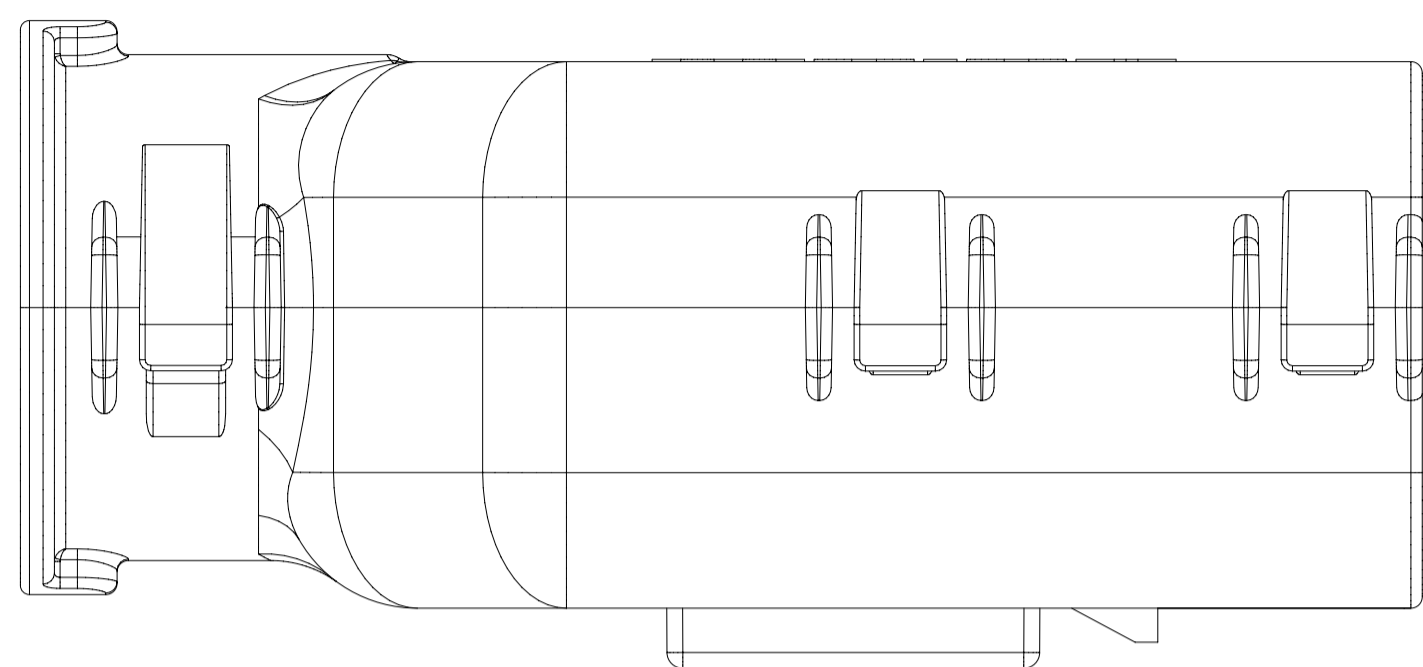


SECTION A-A



SYMBOLS		THIS DRAWING CONTAINS INFORMATION THAT IS PROPRIETARY TO MOLEX ELECTRONIC TECHNOLOGIES, LLC AND SHOULD NOT BE USED WITHOUT WRITTEN PERMISSION		CURRENT REV DESC:			molex			
DIMENSION UNITS	SCALE	EC NO: 171650			DOCUMENT NUMBER	DOC TYPE	DOC PART	REVISION	MX150 BLADE DUAL ROW SEALED ASSEMBLY MAT SEAL	
mm	3.5:1	DRWN: PMANJUNATHAC 2018/01/03			SD-33482-0001	PSD	001	E2	PRODUCT CUSTOMER DRAWING	
GENERAL TOLERANCES (UNLESS SPECIFIED)		CHK'D: MVANSLAMBROU 2018/02/16								
ANGULAR TOL ± 1.0°		APPR: MVANSLAMBROU 2018/02/16								
4 PLACES ±		INITIAL REVISION:								
3 PLACES ±		DRWN: APROFFITT 2014/04/28								
2 PLACES ± 0.1		APPR: VKOSHY 2014/05/14								
1 PLACE ± 0.2		MATERIAL NUMBER			CUSTOMER		SHEET NUMBER			
0 PLACES ±		DRAFT WHERE APPLICABLE MUST REMAIN WITHIN DIMENSIONS			GENERAL MARKET		8 OF 11			
		THIRD ANGLE PROJECTION	DRAWING	SERIES	A1-SIZE	33482				

SHEET DESCRIPTION
MOLEX BACKSHELL

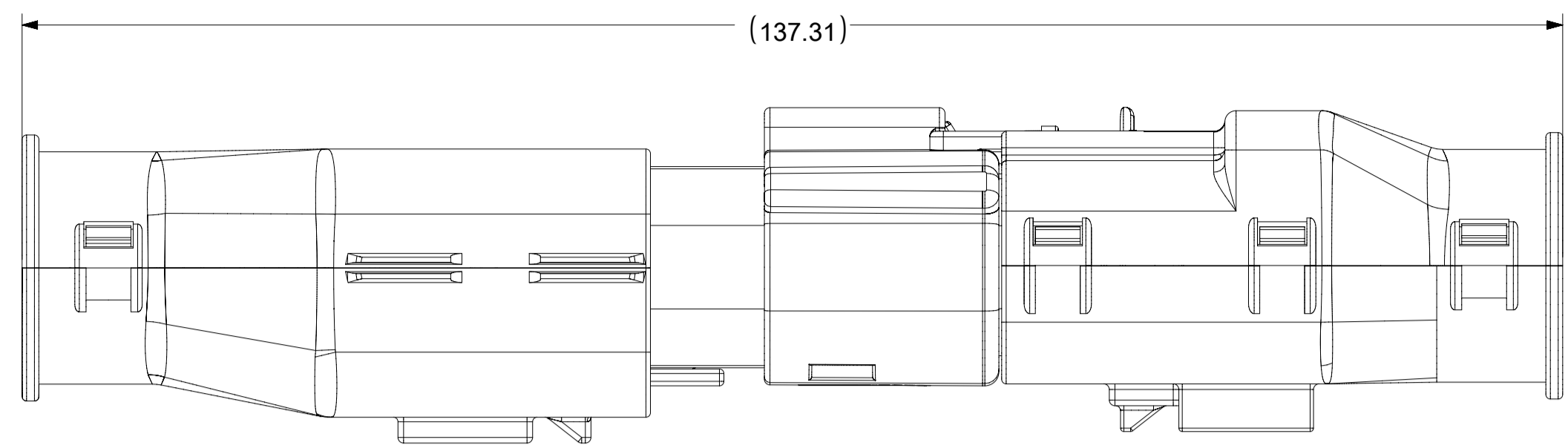


SECTION B-B

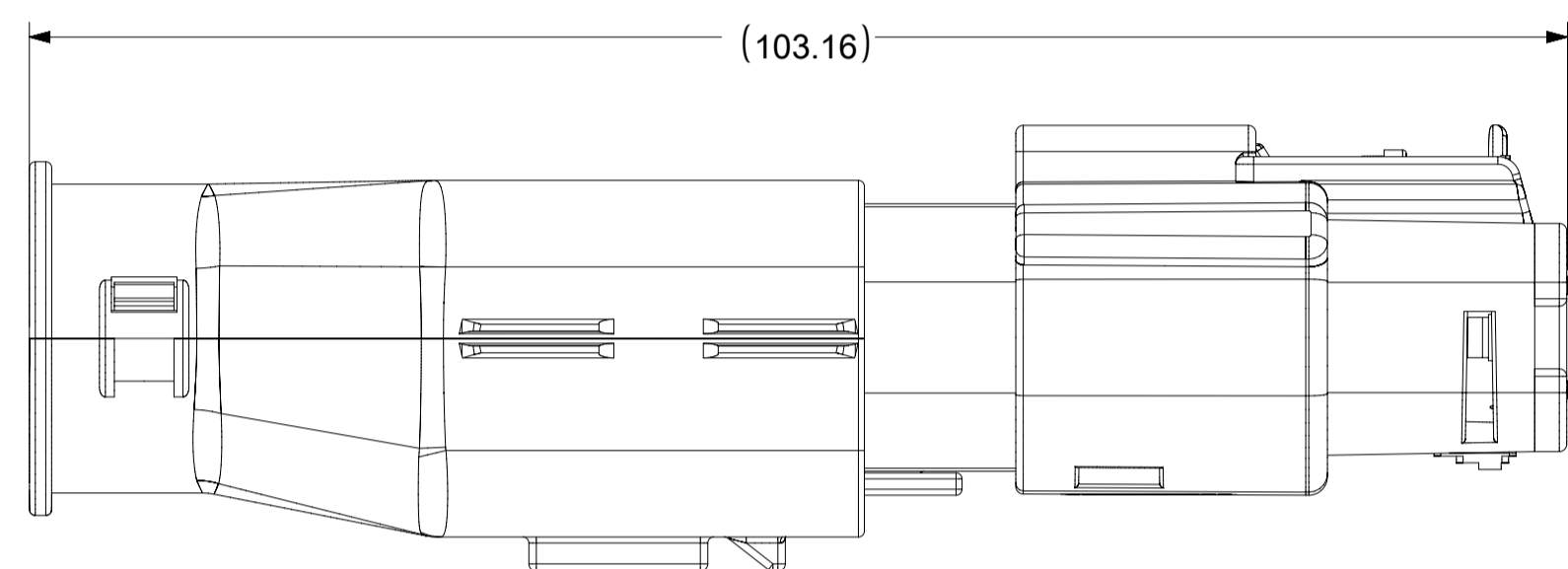
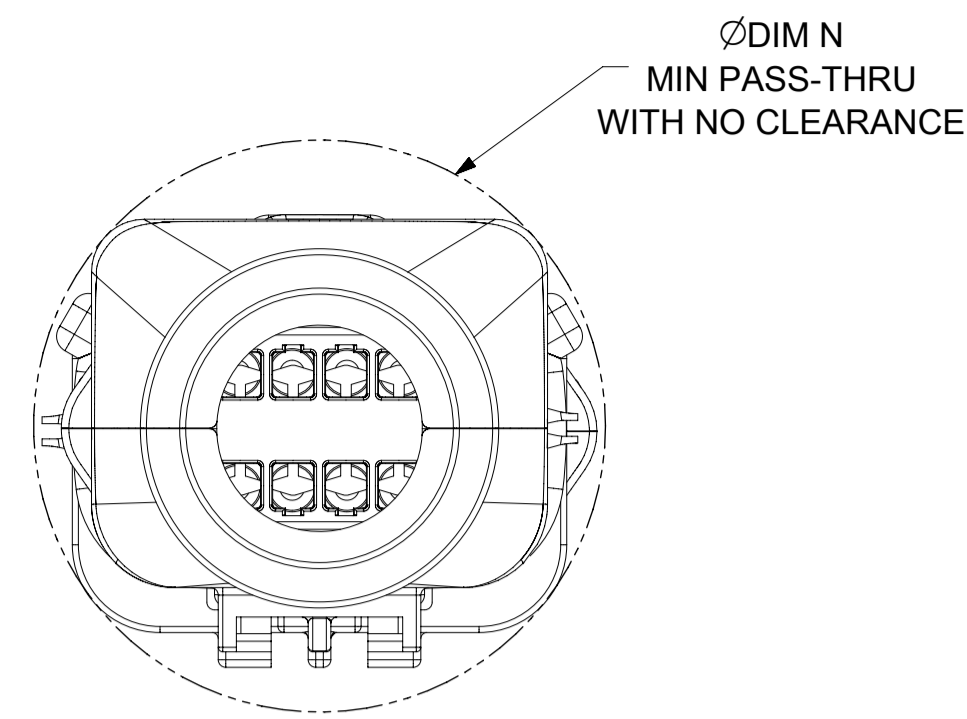
SYMBOLS = 0 = 0 = 0 = 0 = 0 = 0 = 0 = 0 = 0 = 0	THIS DRAWING CONTAINS INFORMATION THAT IS PROPRIETARY TO MOLEX ELECTRONIC TECHNOLOGIES, LLC AND SHOULD NOT BE USED WITHOUT WRITTEN PERMISSION		SCALE 3:1		CURRENT REV DESC:				
	DIMENSION UNITS mm		GENERAL TOLERANCES (UNLESS SPECIFIED)		EC NO: 171650 DRWN: PMANJUNATHAC 2018/01/03 CHK'D: MVANSLAMBROU 2018/02/16 APPR: MVANSLAMBROU 2018/02/16				
	ANGULAR TOL ± 1.0°		4 PLACES ±		INITIAL REVISION:		PRODUCT CUSTOMER DRAWING		
	3 PLACES ±		2 PLACES ± 0.1		DRWN: APROFFITT 2014/04/28 APPR: VKOSHY 2014/05/14		DOCUMENT NUMBER SD-33482-0001	DOC TYPE PSD	DOC PART 001
2 PLACES ± 0.2		1 PLACE ±		THIRD ANGLE PROJECTION		MATERIAL NUMBER	CUSTOMER		SHEET NUMBER
0 PLACES ±		DRAFT WHERE APPLICABLE MUST REMAIN WITHIN DIMENSIONS			DRAWING A1-SIZE	SERIES 33482	GENERAL MARKET		9 OF 11

SHEET DESCRIPTION
SCHLEMMER BACKSHELL CONFIGURATIONS

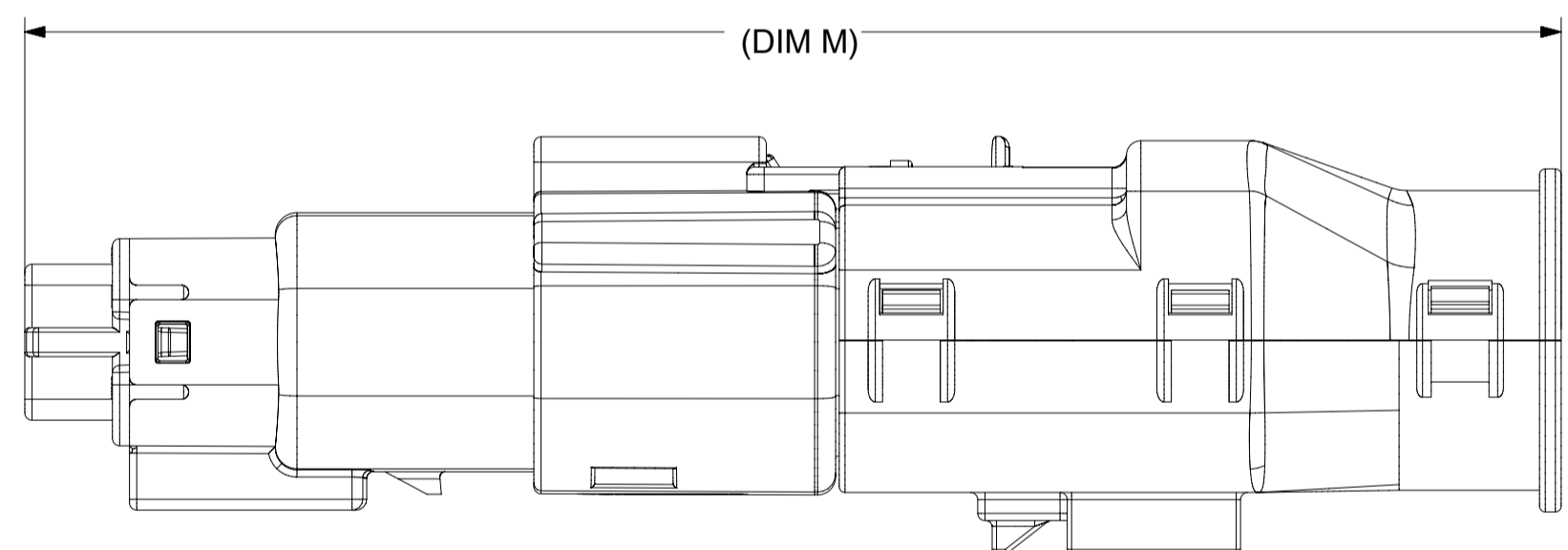
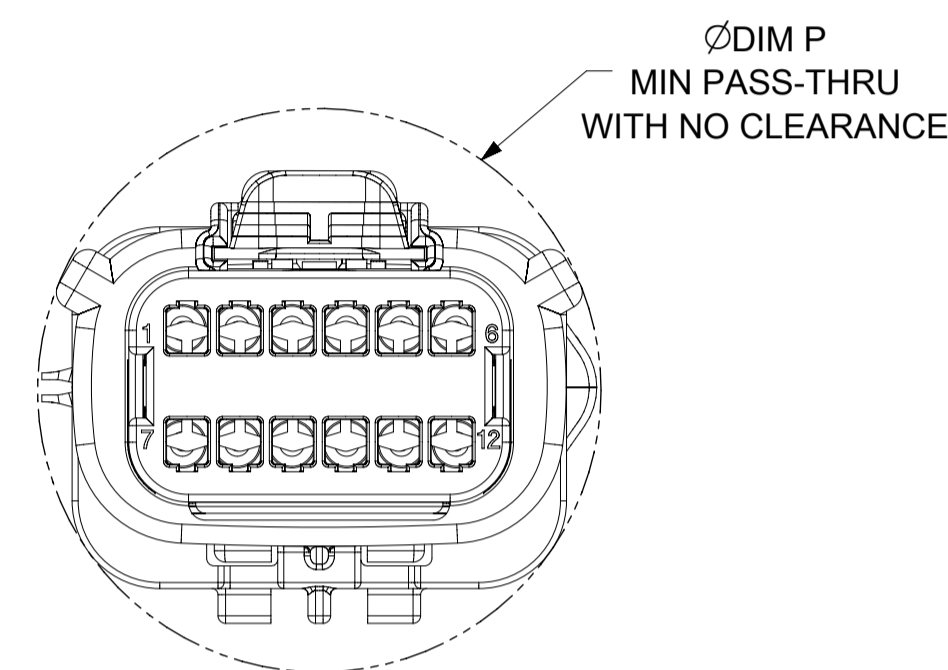
CKT	BLADE CONFIGURATION	RECEPTACLE CONFIGURATION	DIMENSIONS				
			M	N	P	R	T
2X3	STANDARD	STANDARD	106.83	32.75	31.75	29.00	29.50
	LENGTHENED		108.71				
2X4	STANDARD	STANDARD	106.83	33.50	31.90	30.70	30.70
2X6	STANDARD	STANDARD	106.83	37.84	37.27	35.83	36.83



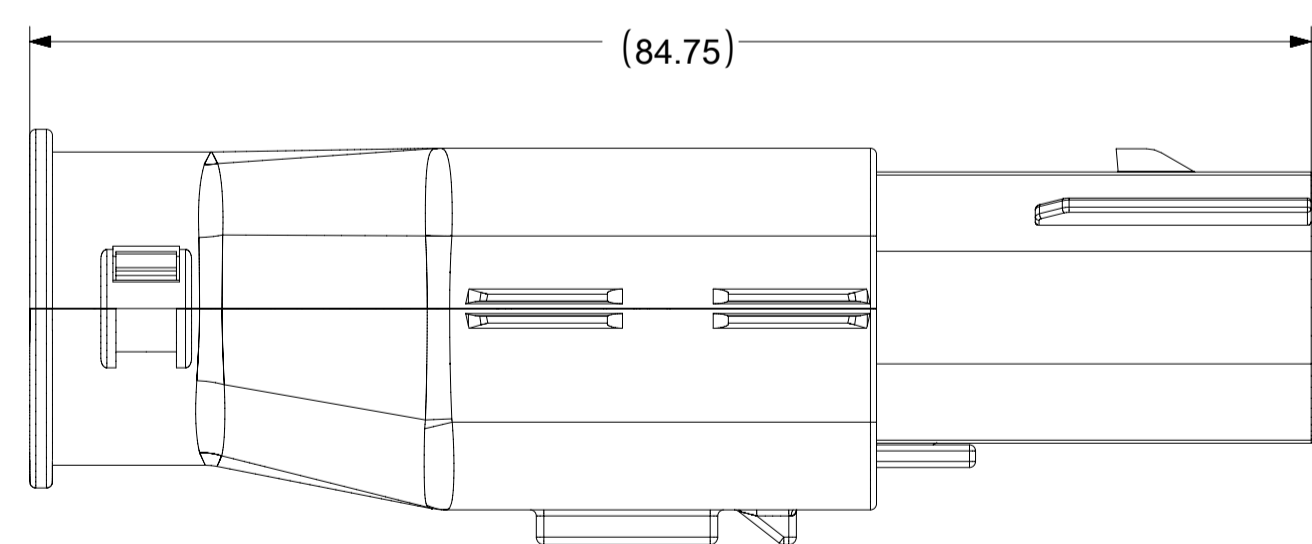
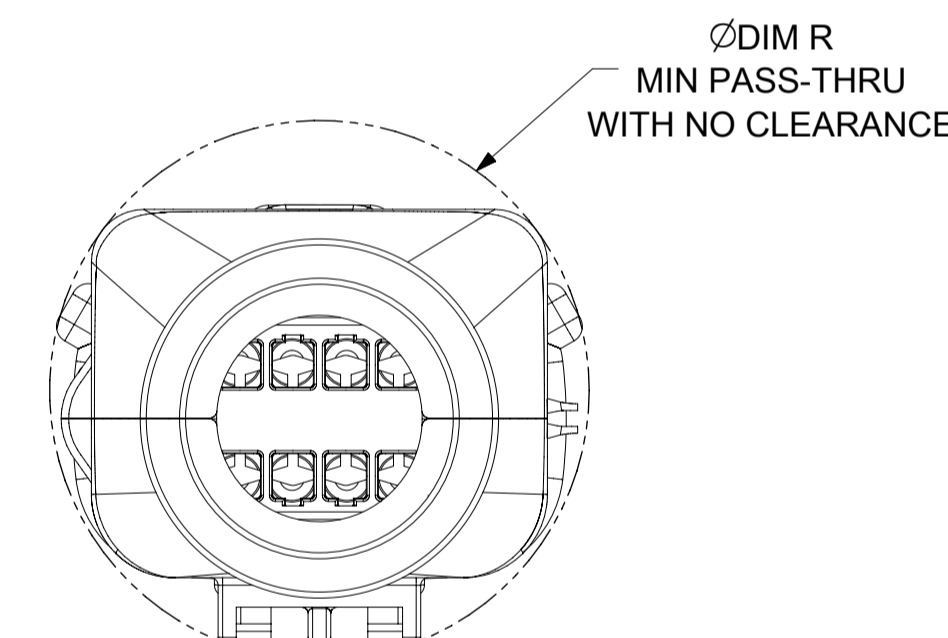
OVERALL MATED SYSTEM WITH BLADE AND RECEPTACLE BACKSHELL



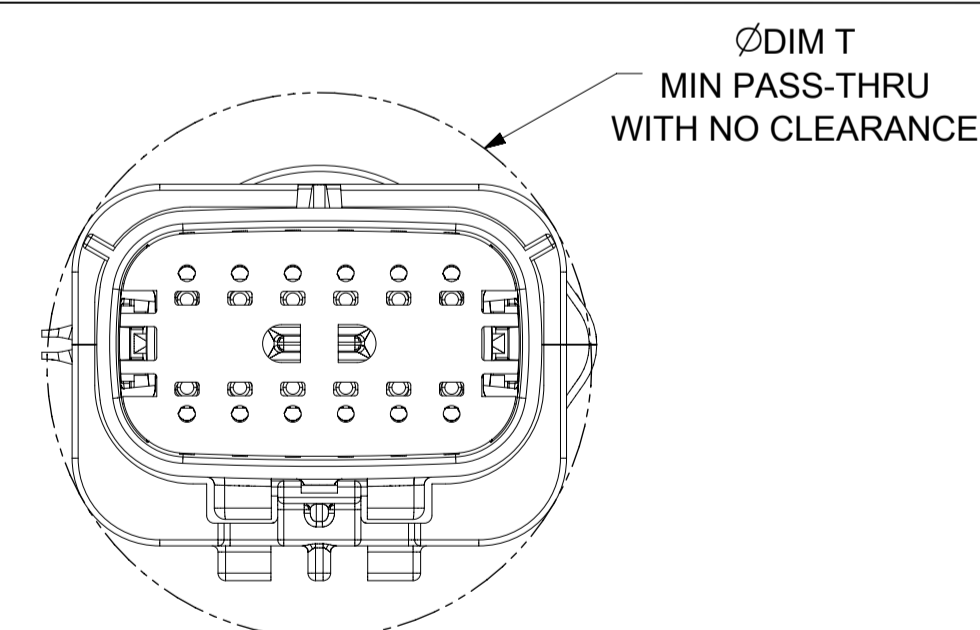
OVERALL MATED SYSTEM WITH BLADE BACKSHELL



OVERALL MATED SYSTEM WITH RECEPTACLE BACKSHELL



BLADE SEALED ASSEMBLY WITH BLADE BACKSHELL

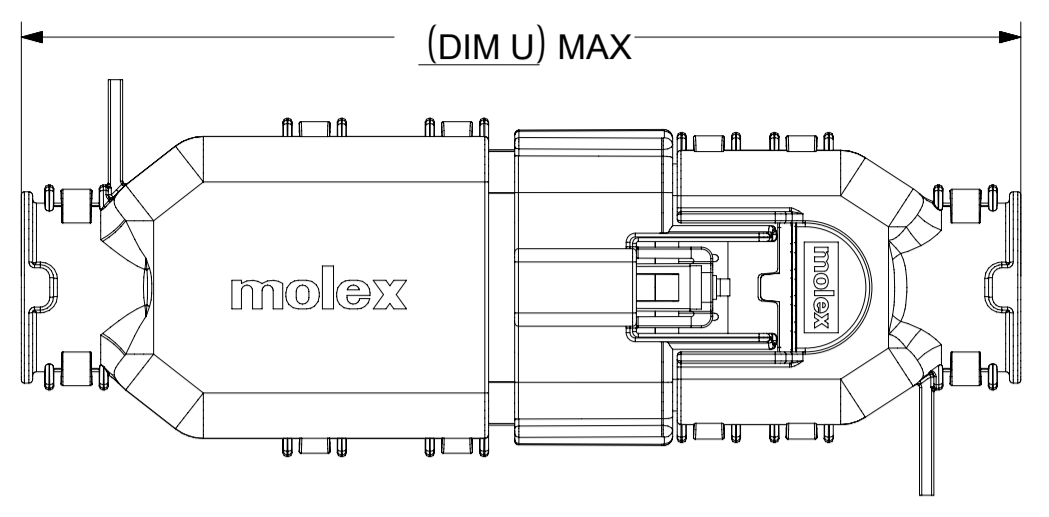


SYMBOLS = 0 = 0 = 0 = 0 = 0 = 0 = 0 = 0	THIS DRAWING CONTAINS INFORMATION THAT IS PROPRIETARY TO MOLEX ELECTRONIC TECHNOLOGIES, LLC AND SHOULD NOT BE USED WITHOUT WRITTEN PERMISSION DIMENSION UNITS: mm SCALE: 2:1	CURRENT REV DESC: EC NO: 171650 DRWN: PMANJUNATHAC 2018/01/03 CHK'D: MVANSLAMBROU 2018/02/16 APPR: MVANSLAMBROU 2018/02/16	 MX150 BLADE DUAL ROW SEALED ASSEMBLY MAT SEAL		
	GENERAL TOLERANCES (UNLESS SPECIFIED) ANGULAR TOL ± 1.0° 4 PLACES ± 3 PLACES ± 2 PLACES ± 0.1 1 PLACE ± 0.2 0 PLACES ±	INITIAL REVISION: DRWN: APROFFITT 2014/04/28 APPR: VKOSHY 2014/05/14			
	DRAFT WHERE APPLICABLE MUST REMAIN WITHIN DIMENSIONS	THIRD ANGLE PROJECTION	DRAWING: A1-SIZE SERIES: 33482	MATERIAL NUMBER: SD-33482-0001 CUSTOMER: GENERAL MARKET	DOC TYPE: PSD DOC PART: 001 REVISION: E2
	DOCUMENT STATUS: P1 RELEASE DATE: 2018/02/16 22:02:26		SHEET NUMBER: 10 OF 11		

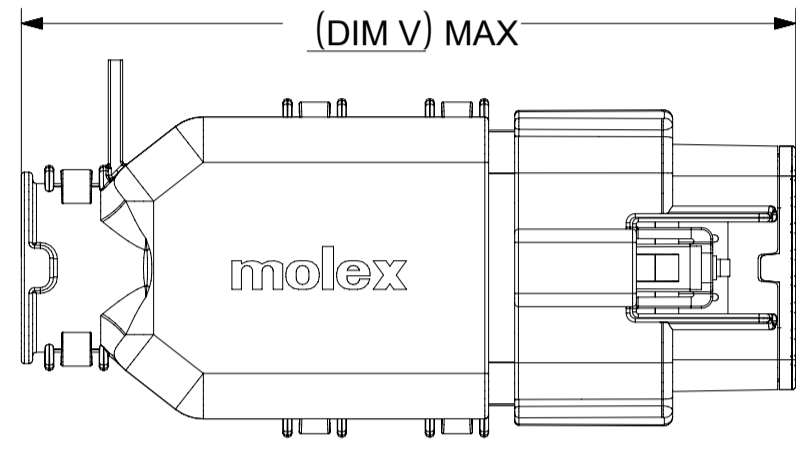
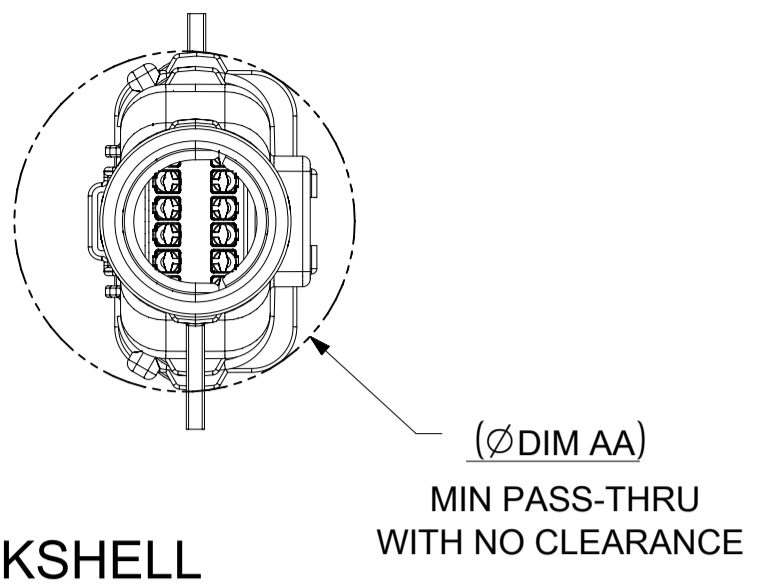
SHEET DESCRIPTION
MOLEX BACKSHELL CONFIGURATIONS

CHARTED DIMENSIONS

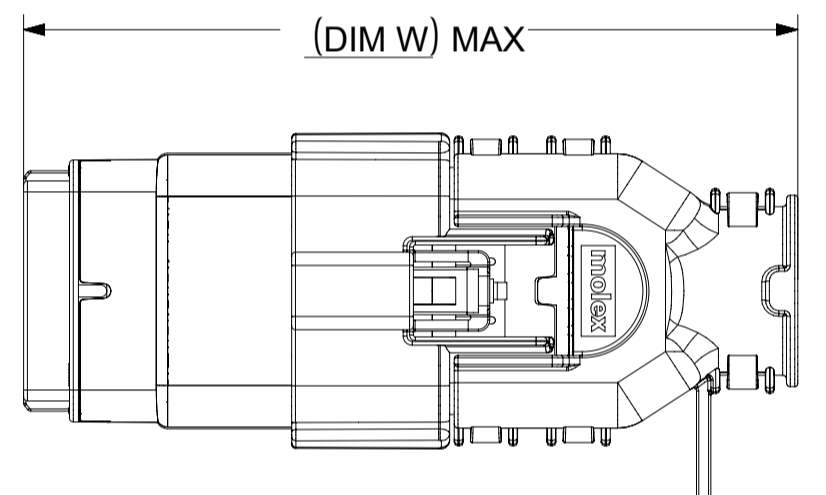
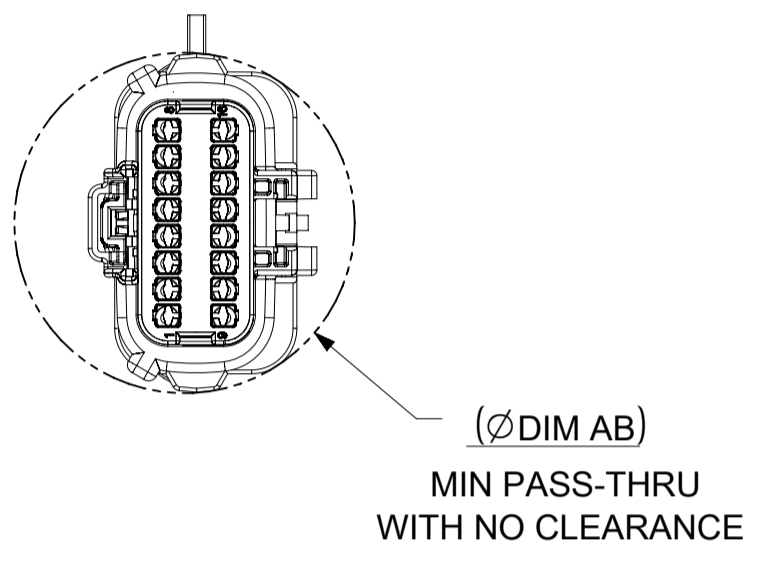
CKT	BLADE CONFIGURATION	RECEPTACLE CONFIGURATION	DIMENSIONS									
			U	V	W	X	Y	AA	AB	AC	AD	AE
2X4	STANDARD	STANDARD	115.24	94.36	93.93	75.62	32.10	32.93	32.54	32.85	31.76	56.81
2X8	STANDARD	STANDARD	132.49	102.81	102.73	84.07	36.10	45.44	45.44	42.65	45.44	68.18
2X10	STANDARD	STANDARD	132.49	102.81	102.73	84.07	36.10	45.44	45.44	42.65	45.44	68.18



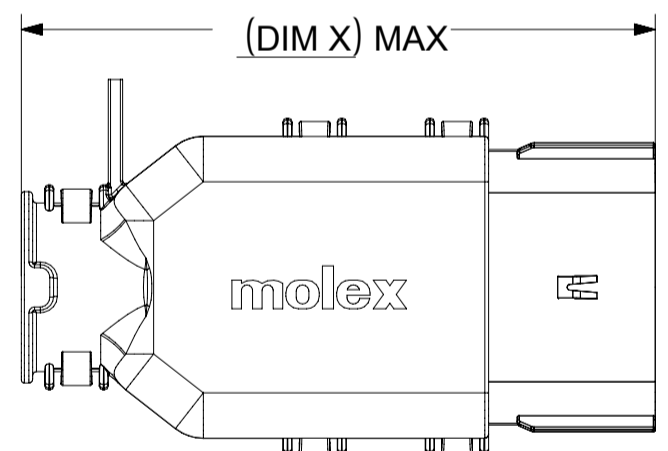
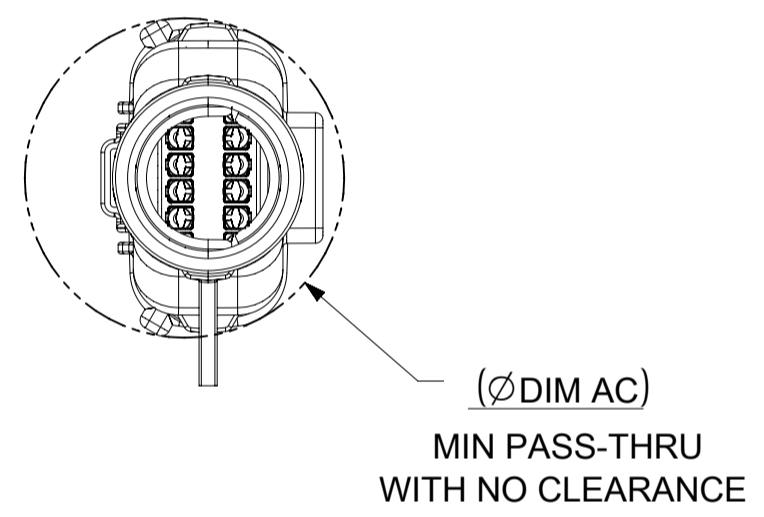
OVERALL MATED SYSTEM WITH BLADE AND RECEPTACLE BACKSHELL



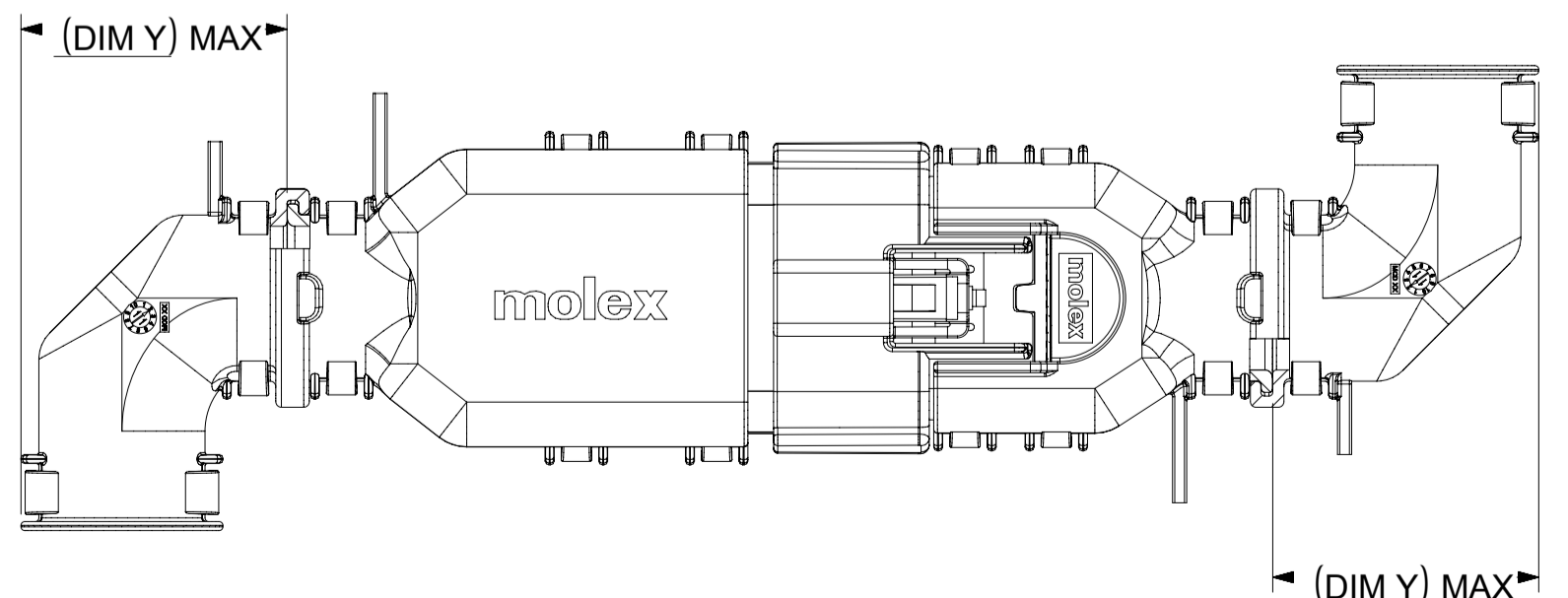
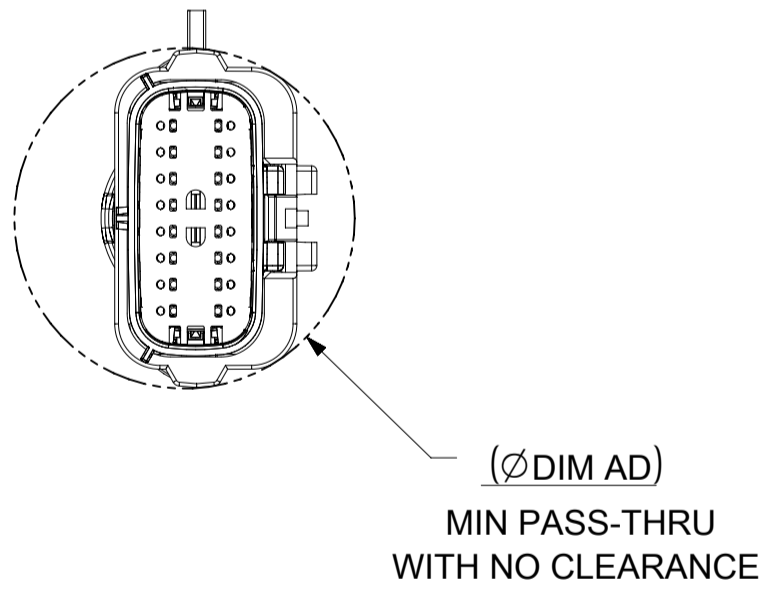
OVERALL MATED SYSTEM WITH BLADE BACKSHELL



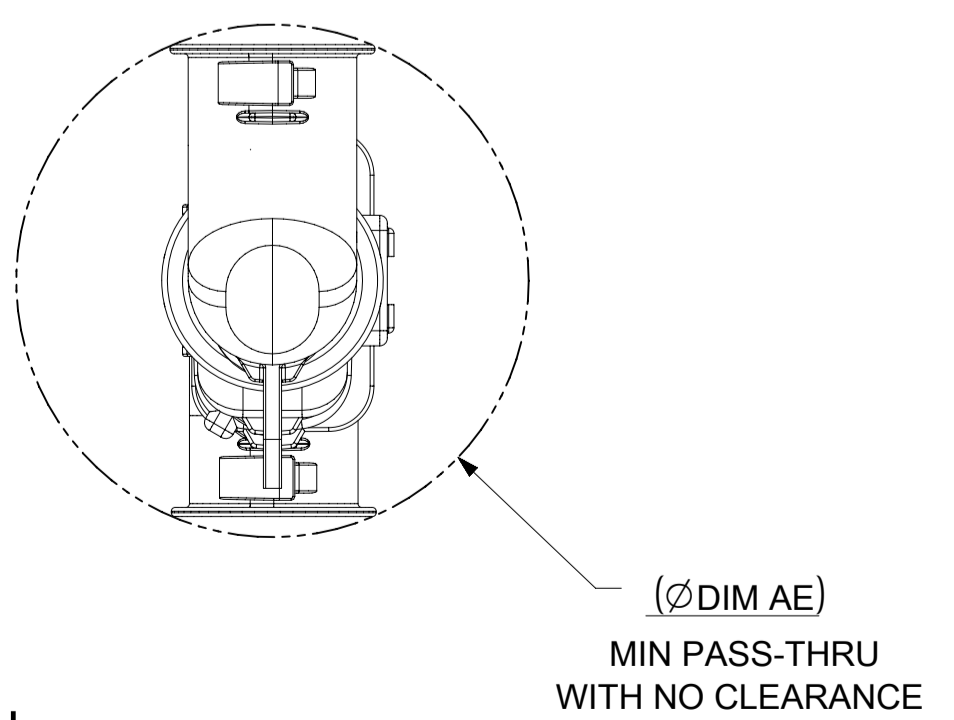
OVERALL MATED SYSTEM WITH RECEPTACLE BACKSHELL



BLADE SEALED ASSEMBLY WITH BLADE BACKSHELL



ADD THE VALUE OF 'Y' TO THE TOTAL DIMENSION WHENEVER ADAPTOR IS USED



SYMBOLS ▽ = 0 ▽ = 0 ▽ = 0 ▽ = 0 ▽ = 0 ▽ = 0 ▽ = 0 ▽ = 0 ▽ = 0 ▽ = 0 ▽ = 0 ▽ = 0 ▽ = 0 ▽ = 0	THIS DRAWING CONTAINS INFORMATION THAT IS PROPRIETARY TO MOLEX ELECTRONIC TECHNOLOGIES, LLC AND SHOULD NOT BE USED WITHOUT WRITTEN PERMISSION	CURRENT REV DESC:		 MX150 BLADE DUAL ROW SEALED ASSEMBLY MAT SEAL PRODUCT CUSTOMER DRAWING	
	DIMENSION UNITS	SCALE	EC NO: 171650		DOCUMENT NUMBER
	mm	1:1	DRWN: PMANJUNATHAC 2018/01/03		SD-33482-0001
	GENERAL TOLERANCES (UNLESS SPECIFIED)				DOC TYPE DOC PART REVISION
	ANGULAR TOL ± 1.0°		CHK'D: MVANSLAMBROU 2018/02/16		PSD 001 E2
4 PLACES ±		APPR: MVANSLAMBROU 2018/02/16			
3 PLACES ±		INITIAL REVISION:			
2 PLACES ± 0.1		DRWN: APROFFITT 2014/04/28			
1 PLACE ± 0.2		APPR: VKOSHY 2014/05/14			
0 PLACES ±					
DRAFT WHERE APPLICABLE MUST REMAIN WITHIN DIMENSIONS		THIRD ANGLE PROJECTION	DRAWING	SHEET NUMBER	
			A1-SIZE	11 OF 11	
			SERIES	CUSTOMER	
			33482	GENERAL MARKET	