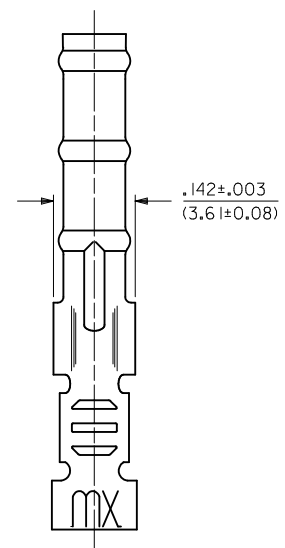
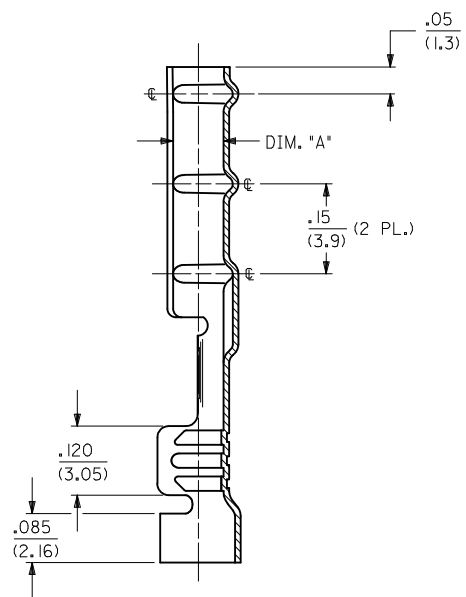
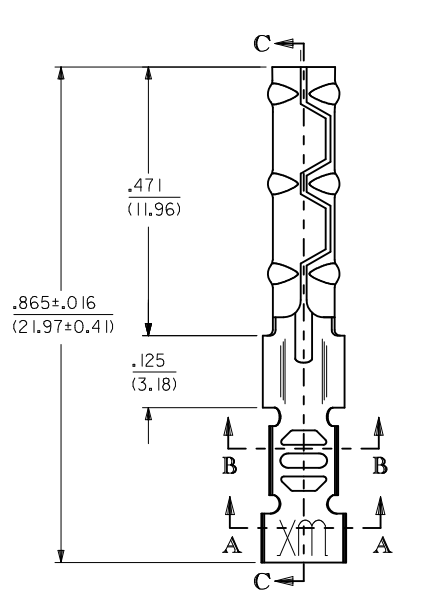
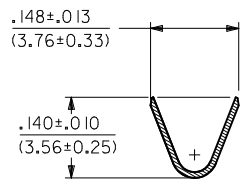


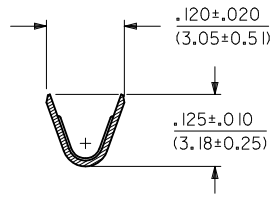
1881-2*** TERMINAL SHOWN (16-24 AWG)
SEE SHEET 2 FOR 1881-3*** TERMINAL



SECTION C-C



SECTION A-A



SECTION B-B

UPDATE	2011/04/11	QUALITY	GENERAL TOLERANCES	DIMENSION STYLE	SCALE	DESIGN UNITS	THIRD ANGLE
REV. LEVELS		SYMBOLS	(UNLESS SPECIFIED)	IN/MM	6:1	INCH	PROJECTION
EC NO: UCP2011-3131	2011/04/11	▽=0					
DRWN: AELHAG	2011/04/11	▽=0					
CHKD: JBELL	2011/04/11						
APPR: FSMITH	2011/05/23						
DESCRIPTION							
REV							

4 PLACES	± ---	± ---
3 PLACES	± ---	± .010
2 PLACES	± 0.25	± .014
1 PLACE	± 0.36	± ---
ANGULAR ±1/2°		
DRAFT WHERE APPLICABLE MUST REMAIN WITHIN DIMENSIONS		

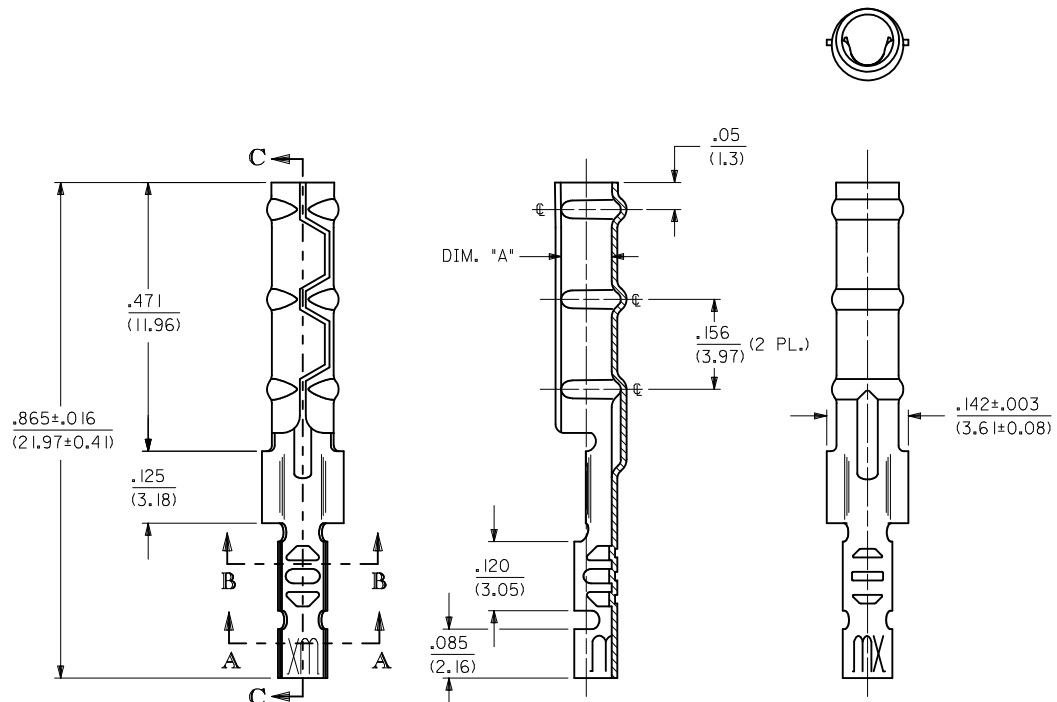
DRAWN BY	DATE
AELHAG	2011/04/11
CHECKED BY	DATE
JBELL	2011/04/11
APPROVED BY	DATE
MATERIAL NO.	DOCUMENT NO.
SEE CHART	SD-1881-*

TITLE		SHEET NO.	
CRIMP TERMINAL SOCKET, CLASPCON		1 OF 2	
MOLEX INCORPORATED			
THIS DRAWING CONTAINS INFORMATION THAT IS PROPRIETARY TO MOLEX INCORPORATED AND SHOULD NOT BE USED WITHOUT WRITTEN PERMISSION			

2	L2
1	L2
SHT/REV	

CHART				
PART NUMBER	ENG. NUMBER	DIMENSION "A" (DIA.)	INTERLEAF PAPER OPTION	
02-08-1102	1881-2L IA	.085/.090 (2.16/2.29)	YES	
02-08-1101	1881-2C IA			
02-08-5101	1881-2C1A-I			
02-08-1106	1881-2L IB	.083/.088 (2.11/2.24)		OBSOLETE
02-08-1105	1881-2C IB			OBSOLETE
02-08-1104	1881-3L IA	.085/.090 (2.16/2.29)		
02-08-1103	1881-3C IA			
02-08-1107	1881-4C IA	.085/.090 (2.16/2.29)		OBSOLETE
02-08-1108	1881-4L IA			OBSOLETE

1881-3*** TERMINAL SHOWN (24-30 AWG)
SEE SHEET 1 FOR 1881-2*** TERMINAL



LEGEND

1881-***-*

CRIMP STYLE
2 = 16-24 AWG
3 = 24-30 AWG
4 = 22 AWG

INTERLEAF PAPER OPTION
BLANK : INTERLEAF PAPER ON FIRST FEW WRAPS ONLY.
I : INTERLEAF PAPER THROUGH OUT REEL.

FORM
L = LOOSE
C = CHAIN

FINISH
(*P* PRECEEDING FINISH NO. DESIGNATES PREPLATED MATERIAL)
1 = P901 - HOT TIN DIP: .000020/(0.00051) MIN.

BARREL I.D.
A = .085/.090 BARREL I.D.

- NOTES:
- MATERIAL: CARTRIDGE BRASS
 - FINISH: SEE LEGEND
 - PRODUCT SPECIFICATION: N/A
 - PACKAGING SPECIFICATION: N/A
 - 1881 "CLASPCON" SERIES TERMINAL WITH THE STANDARD BARREL I.D. IS INTENDED FOR MATING TO .093/(2.36) DIA. P.C. BOARD PINS.
 - INITIAL EXTRACTION FORCE TO BE 4.0±1.5 LBS. FROM AN .093/.092 / (2.36/2.34) DIA. PIN AND 2 LBS. MIN. AFTER THE 10TH EXTRACTION ON STANDARD BARREL I.D.

ADD P/N 02-08-5101 EC NO: UCP2011-3131 DRWN: AELHAG 2011/04/11 CHKD: JBELL 2011/04/11 APPR: FSMITH 2011/05/23	QUALITY SYMBOLS ▽=0 ▽=0	GENERAL TOLERANCES (UNLESS SPECIFIED)		DIMENSION STYLE IN/MM		SCALE 6:1	DESIGN UNITS INCH	THIRD ANGLE PROJECTION		
		4 PLACES ± --- ± ---	3 PLACES ± --- ± .010	2 PLACES ± 0.25 ± .014	1 PLACE ± 0.36 ± ---	DRAWN BY AELHAG	DATE 2011/04/11	TITLE CRIMP TERMINAL SOCKET, CLASPCON		
		ANGULAR ±1/2°		MATERIAL NO. SEE CHART		APPROVED BY JBELL		DATE 2011/04/11	MOLEX INCORPORATED	
		DRAFT WHERE APPLICABLE MUST REMAIN WITHIN DIMENSIONS		DOCUMENT NO. SD-1881-*		SHEET NO. 2 OF 2		THIS DRAWING CONTAINS INFORMATION THAT IS PROPRIETARY TO MOLEX INCORPORATED AND SHOULD NOT BE USED WITHOUT WRITTEN PERMISSION		