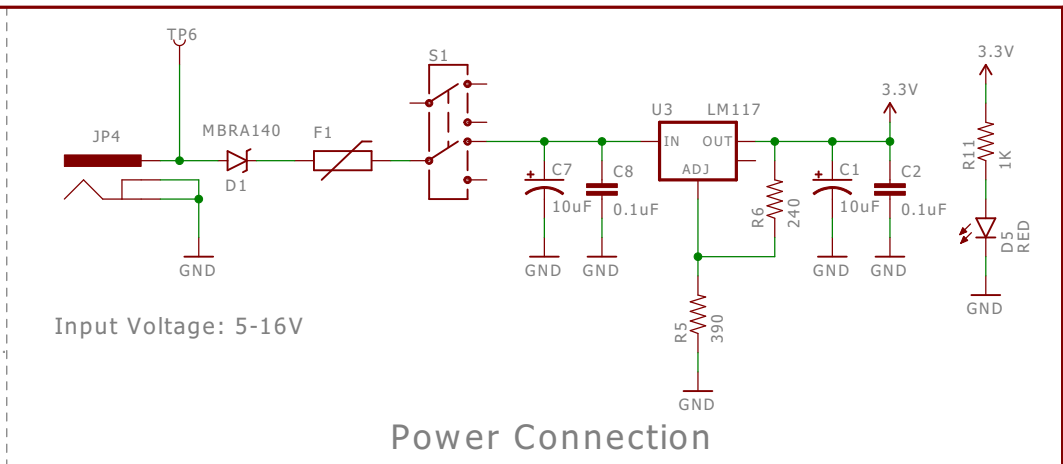
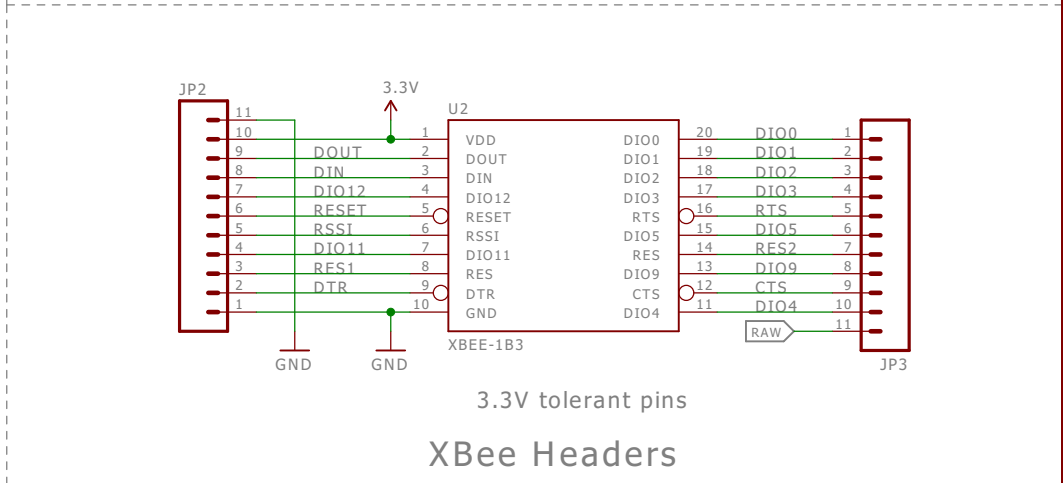


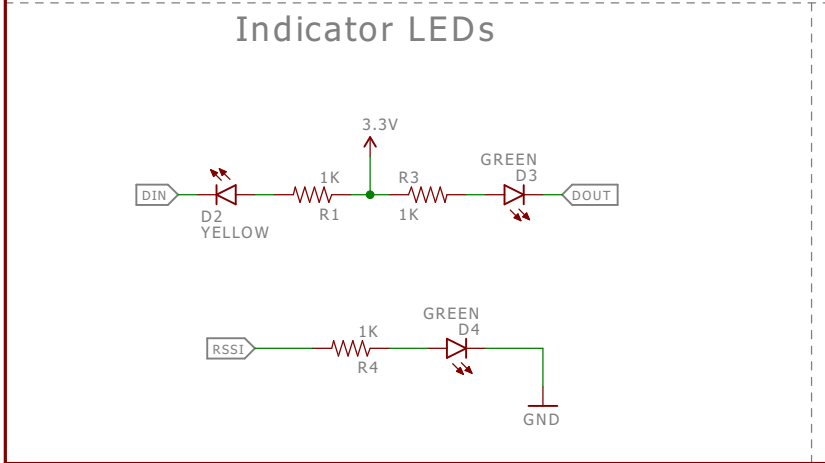
Serial Connection



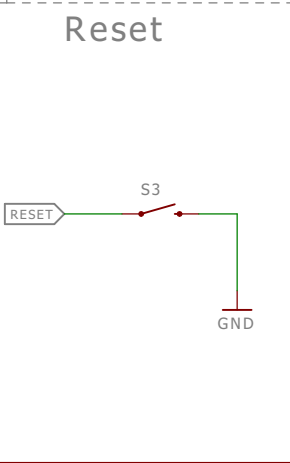
Power Connection



XBee Headers



Indicator LEDs



Reset

Released under the Creative Commons Attribution Share-Alike 4.0 License
<https://creativecommons.org/licenses/by-sa/4.0/>

TITLE: SparkFun_XBee_Serial_Explorer_v13

Design by: Nathan Seidle
 Revision By: Toni Klopfenstein

Date: 10/22/2015 1:51 PM

Sheet: 1/1

SparkFun open hardware