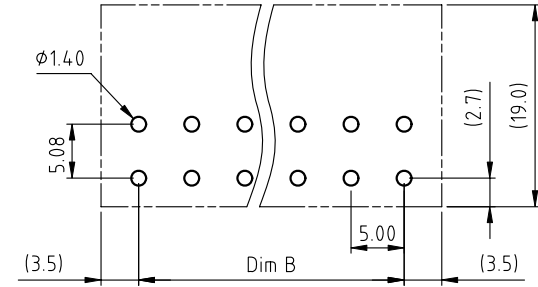
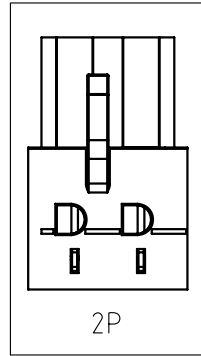
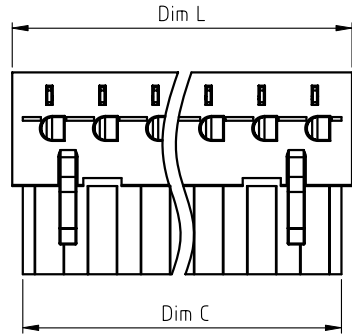
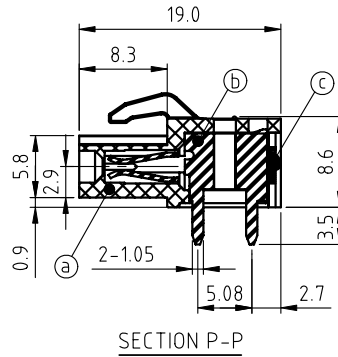
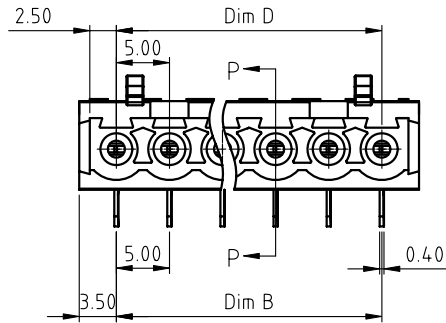


PRODUCT NUMBER	PITCH
V7xx71x100J0G	5.00 mm



RECOMMENDED P.C.B LAYOUT  
TOP VIEW



SECTION P-P

Material:

- Item ① Terminal body: Thermoplastic (UL94V-0)
- Item ② Female contact: PhBz(CuSn), Tin plated
- Item ③ Terminal cover: Thermoplastic (UL94V-0)

Electrical cULus

- Voltage rating: 300VAC
- Current rating: 10A
- Withstanding Voltage: 1.6kv
- Operating temperature: -40°C to +115°C
- Soldering temperature: 260°C±5°C/5 Sec
- Safety Approval: cULus

PART NO.: V7 xx 7 1 x 1 00J0 G

DIM		TOL				
		2P-5P	6P-10P	11P-15P	16P-20P	21P-24P
Dim L	N×5.0+2.0	±0.15	±0.20	±0.25	±0.30	±0.40
Dim B	(N-1)×5.0	±0.15	±0.20	±0.25	±0.30	±0.40
Dim C	N×5.0	0 -0.20		0 -0.30		
Dim D	(N-1)×5.0	±0.15	±0.20	±0.25	±0.30	±0.40

- Solid block
- No. of poles
- 02 2poles
- 03 3poles
- ... ..
- 24 24poles

- Color
- 0 Black (RAL9005)
  - 2 Red (RAL3001/D)
  - 3 Orange(RAL2011/P)
  - 4 Yellow(RAL1018/A)
  - 5 Green(RAL6018/T)
  - 6 Blue (RAL5015/A)
  - 8 Grey(RAL7035/D)
  - 9 White(RAL1102)
  - C Green(RAL6018/U)

RoHS compliant  
(lead<4%)  
In copper Alloy

mat'l. code		surface ASME Y14.5	tolerance ASME Y14.5	projection	product family
ltr	ecn no	dr	date	MM	TERMINAL BLOCK
angles		tolerances unless otherwise specified		MM	title
X°±1'		X.±0.5 X.X±0.3 X.XX±0.1		scale	TERMINAL BLOCK PLUGGABLE PCB PLUG,RIGHT ANGLE
dr	ENGR	EVIN ZHONG	043014	FCI	dwg no
enr	EVIN ZHONG	043014	043014		sheet 1 of 1
chr	HANKE FENG	043014	043014		size
appd	SHI JUN	043014	043014		A4
sheet index	revision	A			type
	sheet	1			CUSTOMER Drawing