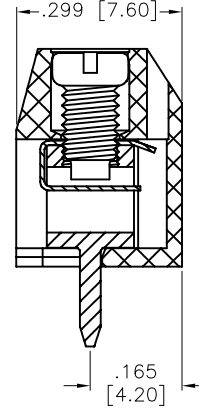
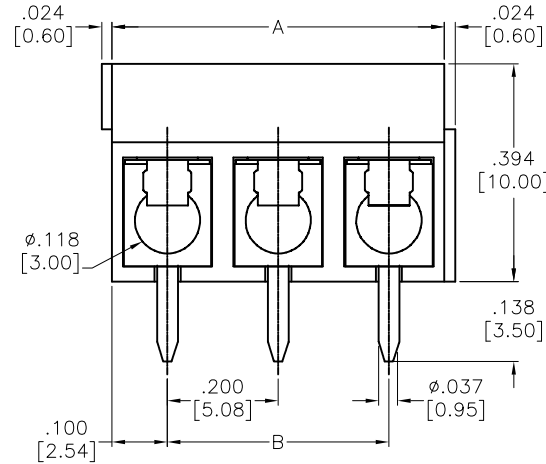
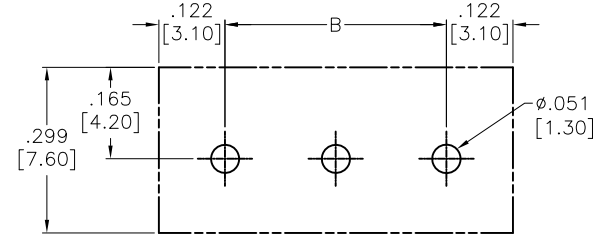
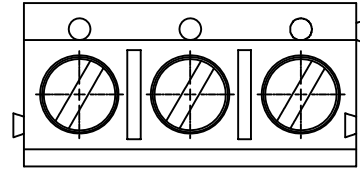


APPROVED: _____
 DATE: _____ TITLE: _____

Rev	AWO #	Description	Date	Appr
-		RELEASED	11/26/13	
A		UPDATE DRAWING	11/20/20	OW/RC



	Dim A	Dim B
2-6P	±.006 [0.15]	±.004 [0.10]
7-12P	±.008 [0.20]	±.008 [0.20]
13-18P	±.012 [0.30]	±.010 [0.25]
19-24P	±.016 [0.40]	±.012 [0.30]

SPECIFICATIONS:
 Material:
 Insulator: Thermoplastic, rated UL 94V-0
 Insulator color: Blue
 Wire guard: Stainless Steel
 Contact: Brass, Tin plated
 Screw: Steel, M2.6, Zinc plated
 Electrical:
 Voltage rating: 300 VAC
 Current rating: 16 A
 Withstanding Voltage: 1.6KV
 Mechanical:
 Solid wire(AWG): 14-22
 Stranded wire(AWG): 14-22
 Torque(Lb-In): 2.6
 Wire strip length(mm): 5-6
 Temperature Rating:
 Operating temperature: -40°C to +115°C
 Environmental:
 Lead free, RoHS compliant.



Positions: 02 thru 24
 A = .200 [5.08] x No. of Positions
 B = .200 [5.08] x No. of Spaces

UNLESS OTHERWISE SPECIFIED ALL DIMENSIONS ARE INCHES [MM] TOLERANCES: EXCEPT AS NOTED		
INCHES		HOLES
.X ± .10	Ø.X ± .10	
.XX ± .020	Ø.XX ± .015	
.XXX ± .015	Ø.XXX ± .010	
APPROVALS		DATE
DRAWN	AY	11/26/13
CHECKED	SL	11/26/13
APPROVED		

ADAM TECH 909 Rahway Avenue,
 Union, NJ 07083
 Phone: 908-687-5000
 Fax: 908-687-5710

TITLE: **EURO BLOCK, .200 [5.08] PITCH**

SIZE X	PART NO. EBB-XX-D-BL	REV. A
REF: S00007T	SCALE: NTS	SHEET 1 OF 1