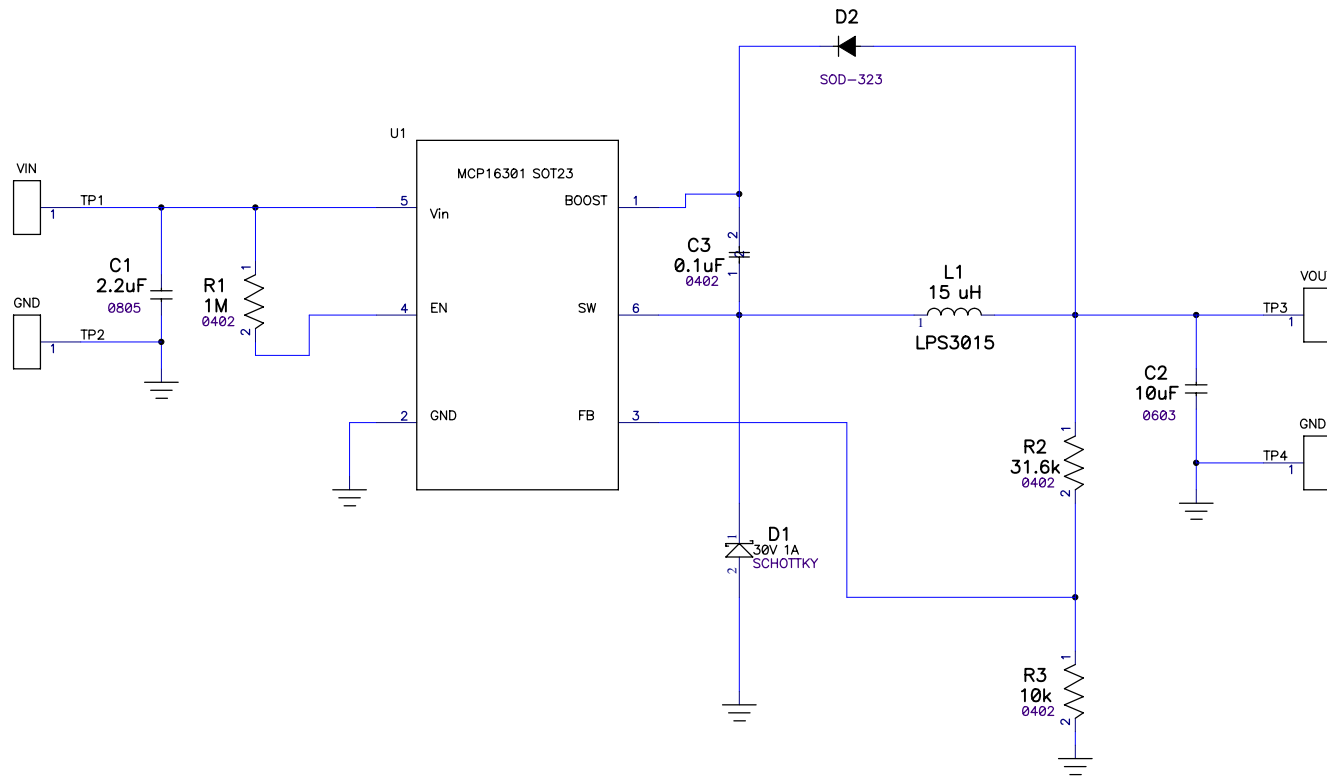



Rev	Description	Date
1	Initial Design	3/03/11



Title MCP16301 300 mA D2PACK Demo Board		
Size B	103-00360 	Rev 1
Date: 3/03/2011	Eng: Greg Cleveland Drawn by: Greg Cleveland Sheet 1 of 1	