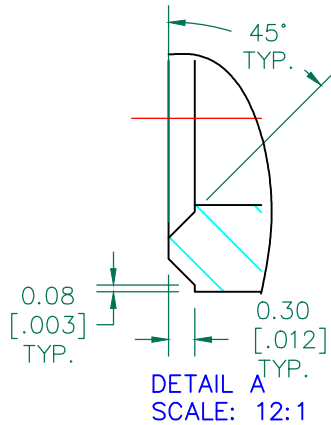


SECTION A-A

SEE DETAIL "A"

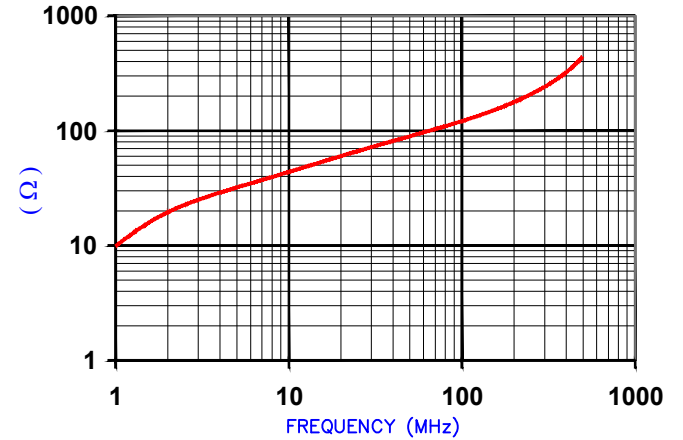


DETAIL A  
SCALE: 12:1

RoHS

IMPEDANCE ( Z )			
Frequency	25 MHz	100 MHz	300 MHz
Nominal (REF)	67 $\Omega$	121 $\Omega$	236 $\Omega$
Minimum	- $\Omega$	97 $\Omega$	- $\Omega$

Z vs. FREQUENCY  
(REF. ONLY)



AGILENT E4991A Impedance/Material Analyzer  
HP 16092A Test Fixture TEST REF. 6223

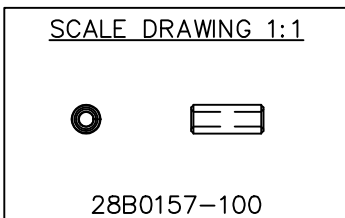
FERRITE CORE DIMENSIONS (SPEC): mm [in]


A	4.00 [.157]	±	0.20 [.008]
B	2.00 [.079]	±	0.15 [.006]
C	10.00 [.394]	±	0.40 [.016]

WEIGHT/1000 0.45 kgs 1.00 lbs

NOTES: UNLESS OTHERWISE SPECIFIED

- COSMETIC SPECIFICATION REFER TO WI-QA-038.



DIMENSIONS ARE IN mm [INCHES].				This print is the property of Laird Tech. and is loaned in confidence subject to return upon request and with the understanding that no copies shall be made without the written consent of Laird Tech. All rights to design or invention are reserved.				
REV	DESCRIPTION	DATE	INT					PROJECT/PART NUMBER:
C	UPDATED LOGO ADD NOTE	07/31/17	QIU	28B0157-100		C	FERRITE CORE	TMB
B	ADD Z SPEC VALUES AND CURVE	07/03/07	TMB	DATE:	05/15/07	SCALE:	6 : 1	MATERIAL:
A	ORIGINAL DRAFT	05/15/07	TMB	CAD #	28B0157-100-C	TOOL #	B0157	Ferrite