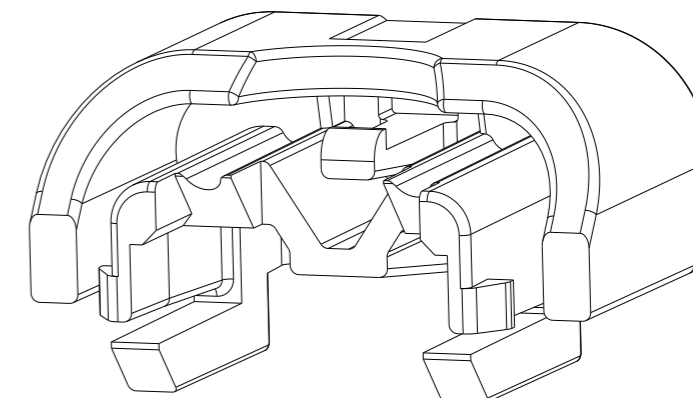
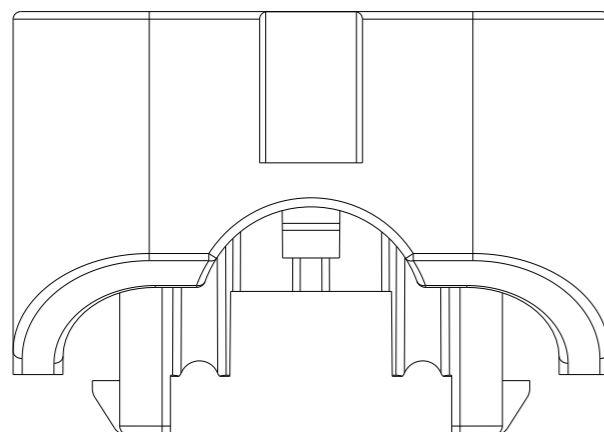
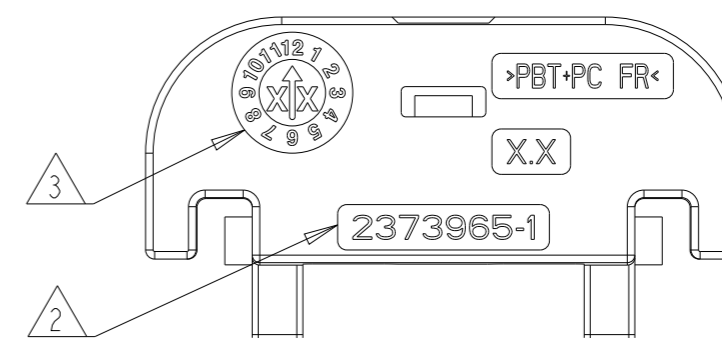
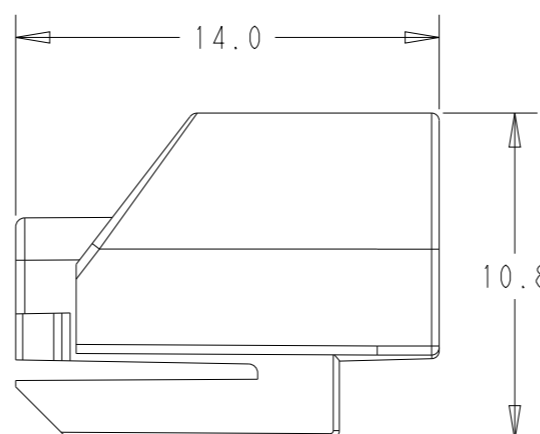
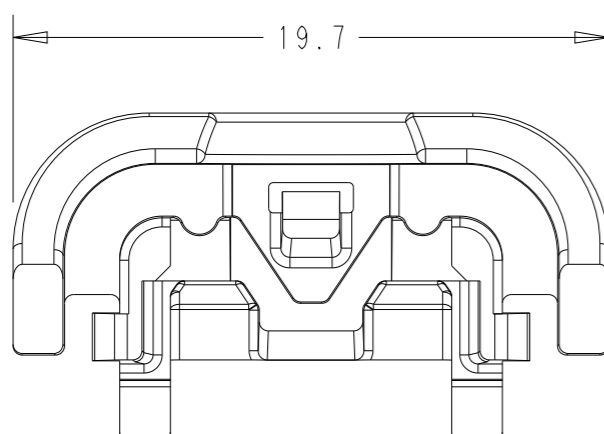


REVISIONS

P	LTR	DESCRIPTION	DATE	DWN	APVD
	1	ORIGINAL	13MAY2021	DK	DS
	A	RELEASE PER ECN-21-127497	19NOV2021	DK	CB




SCALE 4:1



SCALE 4:1

- 1. MATERIAL: PBT-PC FR, COLOR: RED
- 2. TE CONNECTIVITY PART NUMBER
- 3. DATE CODE (YEAR & MONTH)

2373965-1
PART NUMBER

THIS DRAWING IS A CONTROLLED DOCUMENT.		DWN D. KELLER 13MAY2021	 TE Connectivity	
DIMENSIONS: mm		CHK D. STRAUSSER 13MAY2021		
TOLERANCES UNLESS OTHERWISE SPECIFIED:		APVD	NAME CPA AMPSEAL	
0 PLC ±- 1 PLC ±0.4 2 PLC ±- 3 PLC ±- 4 PLC ±- ANGLES ±-		PRODUCT SPEC 108-160438	SIZE A3	
MATERIAL SEE NOTES		APPLICATION SPEC 114-16016	CAGE CODE 00779	DRAWING NO C-2373965
FINISH -		WEIGHT 1.3g	RESTRICTED TO -	
CUSTOMER DRAWING			SCALE 3:1	SHEET 1 OF 1
			REV A	