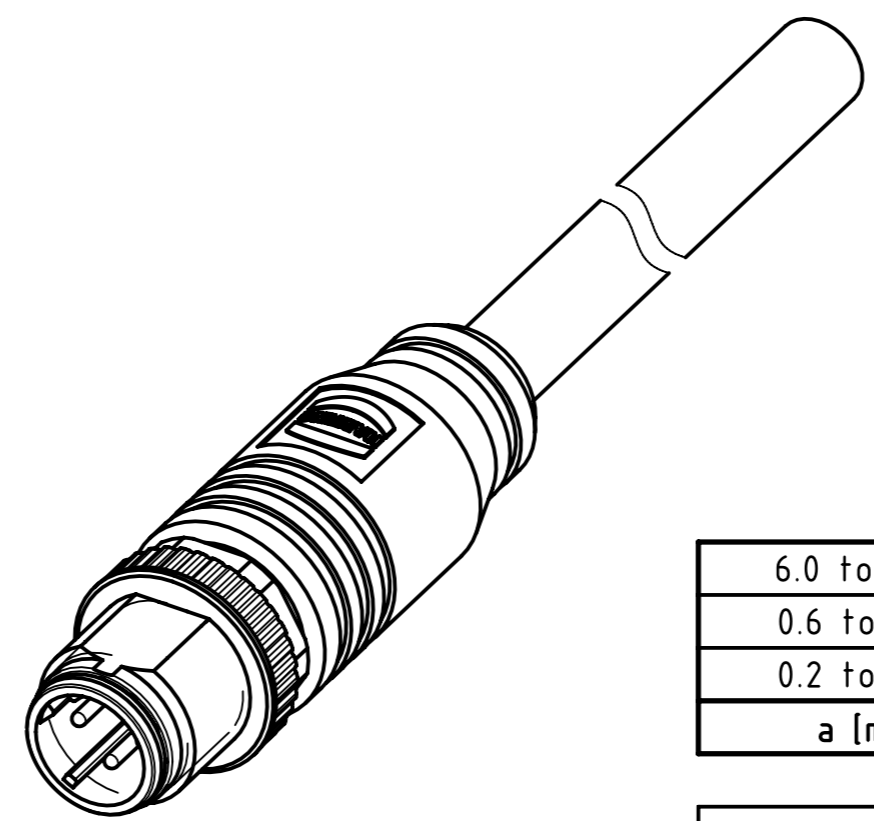
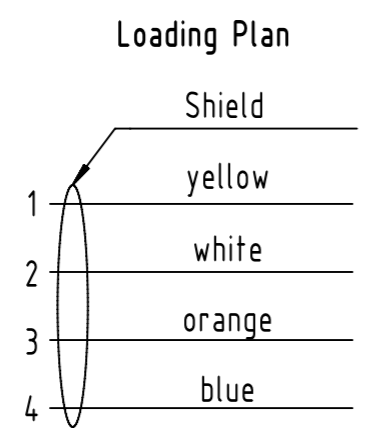
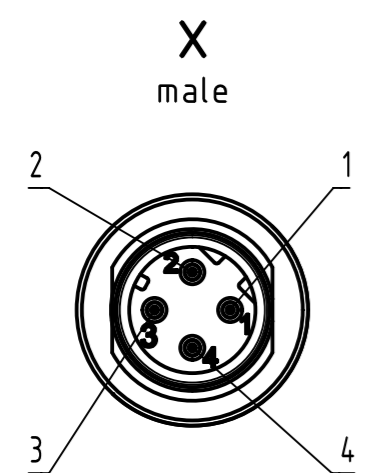
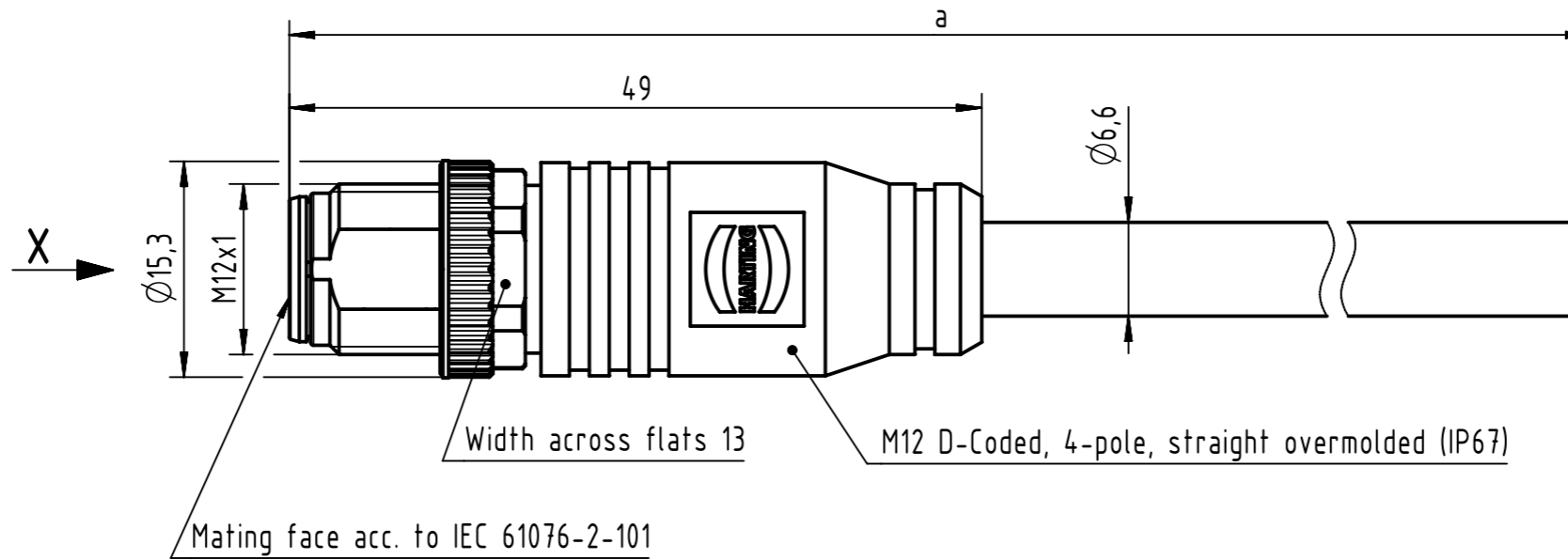


Connector Location A

Connector Location B



- Temperature range: -40°C ... +85°C

length in "1m" step	100	XXX=000
	99	XXX=990
	.	.
	12	XXX=120
length in "0.1m" step	11	XXX=110
	10	XXX=100
	9.9	XXX=099
	9.8	XXX=098
	.	.
	0.5	XXX=005
	0.4	XXX=004
	0.3	XXX=003
	0.2	XXX=002
Step	a [m]	XXX

6.0 to 100	±1%
0.6 to 5.9	+0.04
0.2 to 0.5	+0.02
a [m]	Tolerance

Ha-VIS EtherRail Cable, 4xAWG 22/7, Cat. 5, black	09482200011XXX
Type of cable	Part no.

	All rights reserved	Created by BANIUD Banciu	Inspected by COSTEA Costea	Standardisation MUNTEANV Muntean	Date 2020-10-13	State Final Release
Department HCS - RO		Title M12 D-cod 4-pol st/- m/- Rail		Doc-Key / ECM-Nr. 100223119/UGD/170/C 500000181193		Rev. C
HARTING Customised Solutions D-32339 Espelkamp		Type TB	Number 09482200011XXX		Page 1/1	