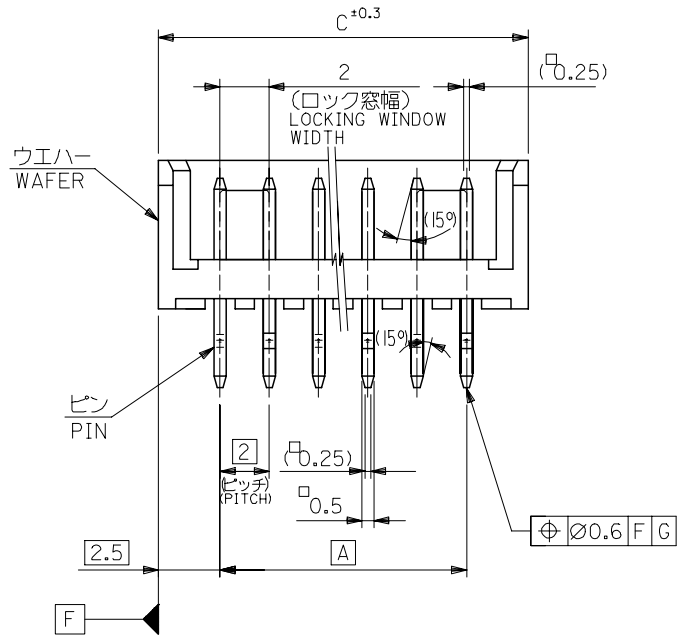


注記 NOTES

1. 材料 MATERIAL  
 ウエハー: PBT (ガラス 15% 入り)  
 WAFER: G.F. 15%  
 UL94V-0  
 ビン: 黄銅, 錫メッキ  
 PIN: BRASS, TIN
2. 嵌合相手: 52418 シリーズ  
 MATE WITH: 52418 SERIES
3. キンクは全ピンに交互に付加.  
 SET KINK ALTERNATELY TO ALL PIN.
4. 各部のソリは 0.2MAX.  
 CAMBER: 0.2MAX.
5. 本製品は、53290-\*\*10 の鉛フリー品である。  
 THIS PRODUCT IS LEAD FREE OF 53290-\*\*10.
6. 梱包仕様 PACKAGING  
 53290-\*\*8\* トレー TRAY  
 53290-\*\*4\* ポリ袋 POLYBAG



REVISED EC No: J2005-2460 DRAWN: NAIDA CHKD: KTOJO APPR: NUKITA	DESCRIPTION 2005/02/25 2005/02/28 2005/03/07	GENERAL TOLERANCES (UNLESS SPECIFIED)		DIMENSION STYLE MM ONLY	SCALE ---	DESIGN UNITS METRIC	THIRD ANGLE PROJECTION	
		10 UNDER	±0.2	DRAWN BY J. SASAMO	DATE 2004/8/20	TITLE 2.0 BOARD TO BOARD CONN. WAFER ASS'Y -LEAD FREE-		
		10 OVER 30 UNDER	±0.25	CHECKED BY K. TOJO	DATE 2004/8/20	MOLEX INCORPORATED		
		30 OVER	±0.3	APPROVED BY N. UKITA	DATE 2004/8/20	DOCUMENT NO. SD-53290-004	SHEET NO. 1 OF 2	
DRAFT WHERE APPLICABLE MUST REMAIN WITHIN DIMENSIONS		SEE CHART		THIS DRAWING CONTAINS INFORMATION THAT IS PROPRIETARY TO MOLEX INCORPORATED AND SHOULD NOT BE USED WITHOUT WRITTEN PERMISSION				

10 9 8 7 6 5 4 3 2 1

F

F

E

E

D

D

C

C

B

B

A

A

43	41.64	38	53290-2041	53290-2081	53290-2040	53290-2080	20
41	39.64	36	-1941	-1981	-1940	-1980	19
39	37.64	34	-1841	-1881	-1840	-1880	18
37	35.64	32	-1741	-1781	-1740	-1780	17
35	33.64	30	-1641	-1681	-1640	-1680	16
33	31.64	28	-1541	-1581	-1540	-1580	15
31	29.64	26	-1441	-1481	-1440	-1480	14
29	27.64	24	-1341	-1381	-1340	-1380	13
27	25.64	22	-1241	-1281	-1240	-1280	12
25	23.64	20	-1141	-1181	-1140	-1180	11
23	21.64	18	-1041	-1081	-1040	-1080	10
21	19.64	16	-0941	-0981	-0940	-0980	9
19	17.64	14	-0841	-0881	-0840	-0880	8
17	15.64	12	-0741	-0781	-0740	-0780	7
15	13.64	10	-0641	-0681	-0640	-0680	6
13	11.64	8	-0541	-0581	-0540	-0580	5
11	9.64	6	-0441	-0481	-0440	-0480	4
9	7.64	4	53290-0341	53290-0381	53290-0340	53290-0380	3
C	B	A	MATERIAL NO. COLOR : BLACK 色 : 黒		MATERIAL NO. COLOR : NATURAL (WHITE) 色 : ナチュラル(白)		極数 CKT.

REVISED EC NO: J2005-2460 DRAWN: NAIDA 2005/02/25 CHKD: KTOJO 2005/02/28 APPR: NUKITA 2005/03/07	GENERAL TOLERANCES (UNLESS SPECIFIED)		DIMENSION STYLE MM ONLY	SCALE ---	DESIGN UNITS METRIC	THIRD ANGLE PROJECTION	
	10 UNDER	±0.2	DRAWN BY J. SASAMO	DATE 2004/8/20	TITLE 2.0 BOARD TO BOARD CONN. WAFER ASS'Y -LEAD FREE-		
	10 OVER 30 UNDER	±0.25	CHECKED BY K. TOJO	DATE 2004/8/20			
	30 OVER	±0.3	APPROVED BY N. UKITA	DATE 2004/8/20	MOLEX INCORPORATED DOCUMENT NO. SD-53290-004 SHEET NO. 2 OF 2		
	ANGULAR	±3 °	MATERIAL NO. SEE CHART				
DRAFT WHERE APPLICABLE MUST REMAIN WITHIN DIMENSIONS		SIZE A3	THIS DRAWING CONTAINS INFORMATION THAT IS PROPRIETARY TO MOLEX INCORPORATED AND SHOULD NOT BE USED WITHOUT WRITTEN PERMISSION				