



FORM



DOC REF: 7167

REVISION: 2.00

Customer Product Change Notice

Page 1 of 1

Part Number:	VN10-2050
Change No:	D17488
Raised By:	M.SALMON
Department:	ENGINEERING
Date:	20/07/2021

Detailed description of the change

Include previous revision and new revision. List all changes from the previous to the new revision clearly. Attach new marked up drawing to accompany this PCN document.

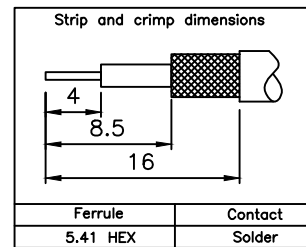
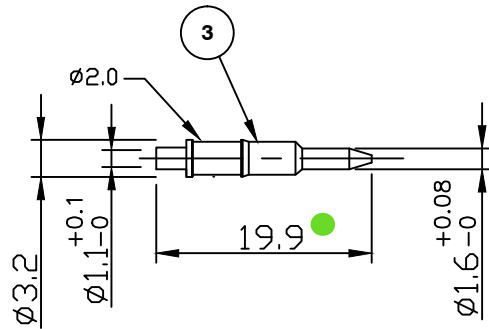
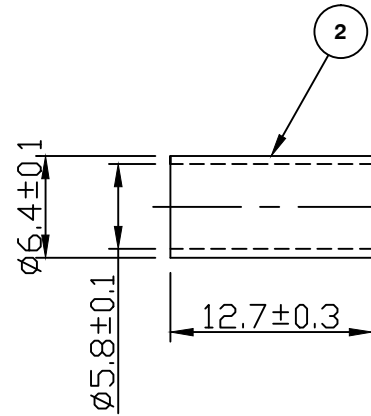
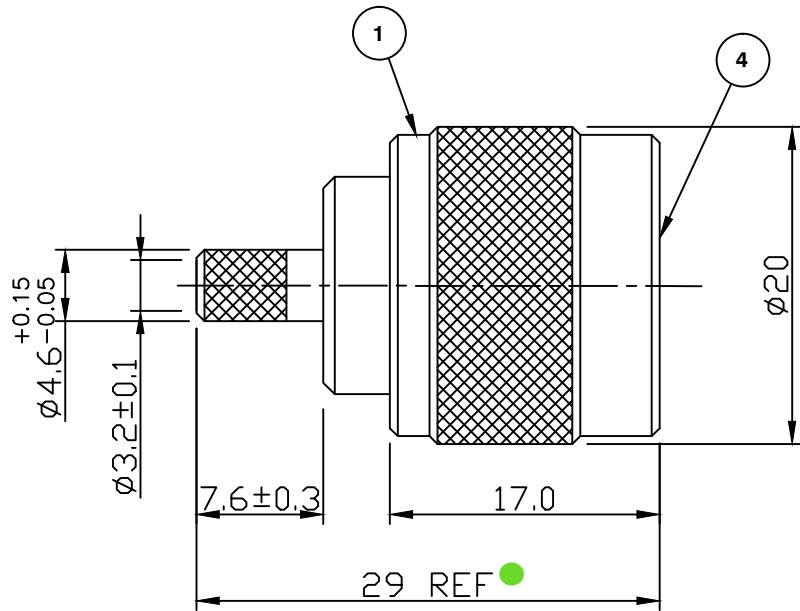
VN10-2050 DRAWING UP-ISSUED IN LINE WITH CINCH SUPPLIER PART DOCUMENTATION QUALITY REVIEW AND DIMENSIONAL PART INSPECTION. SEE ANNOTATED ISSUE 4 DRAWING ATTACHED FOR HIGHLIGHTED CHANGES AGAINST THE PREVIOUS ISSUE 3 DRAWING.

- OVERALL LENGTH OF CONNECTOR CHANGED FROM 28MM TO 29
- OVERALL LENGTH OF CONTACT CHANGED FROM 18.4 TO 19.9
- DRAWING ISSUE UPDATED TO ISS 4

PCN Approved By (Cinch Use Only)	Sign & Print Name	Date
Engineering:		
Product/Business Development:		

RoHS COMPLIANT

● UPDATED



Electrical Characteristics

Nominal Impedance:	50 ohms
Frequency Range:	DC to 11 GHz
VSWR:	1.3:1 maximum
Insertion Loss:	0.3 dB at 10 GHz
Operating Voltage (rms):	1000 V maximum at sea level
Dielectric Withstand Voltage (rms):	2500 V maximum at sea level
Contact Resistance:	1.0 milliohms maximum
Insulation Resistance:	5000 megohms minimum

Mechanical Characteristics

Mating Cycles:	500 cycles minimum
Interface Dimensions:	Conform to MIL-C-39012

Environmental Characteristics

Temperature Range:	-65 °C to +165 °C
--------------------	-------------------

PART	DESCRIPTION
1	Body Brass, nickel plated 2.54 µm
2	Ferrule Brass, nickel plated 2.54 µm
3	Contact Brass, gold plated 0.076 µm - 0.127 µm
4	Dielectric PTFE
5	Gasket Rubber

D17488 - Dimensions updated	MS	4 ●	12 Jul 21
Strip & Crimp Details added	MS	3	11 Sep 09
CAD Issue	SN	2	29 Jan 02
First Issue	AT	1	02 Feb 95
DESCRIPTION OF REVISION	APPVD	ISS	DATE

For stripping and assembly instructions see Drawing Number: VAIN1101



CINCH CONNECTIVITY SOLUTIONS
11 Bilton Road,
Chelmsford, Essex,
CM1 2UP, UK.
Tel: +44 (0) 1245 359515
Fax: +44 (0) 1245 358938

SCALE: Not To Scale
DIMENSIONS: mm
TOLERANCES:
± 0.2mm unless
otherwise stated

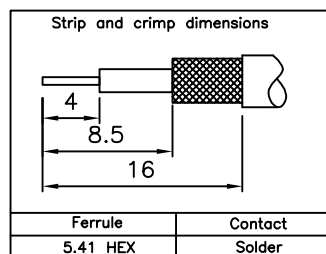
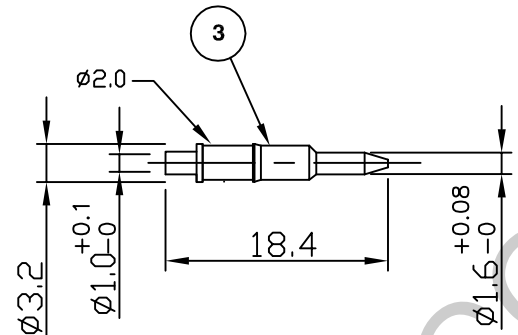
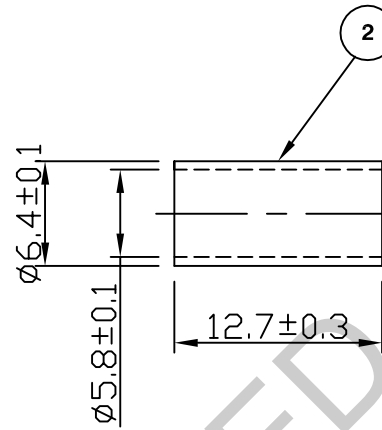
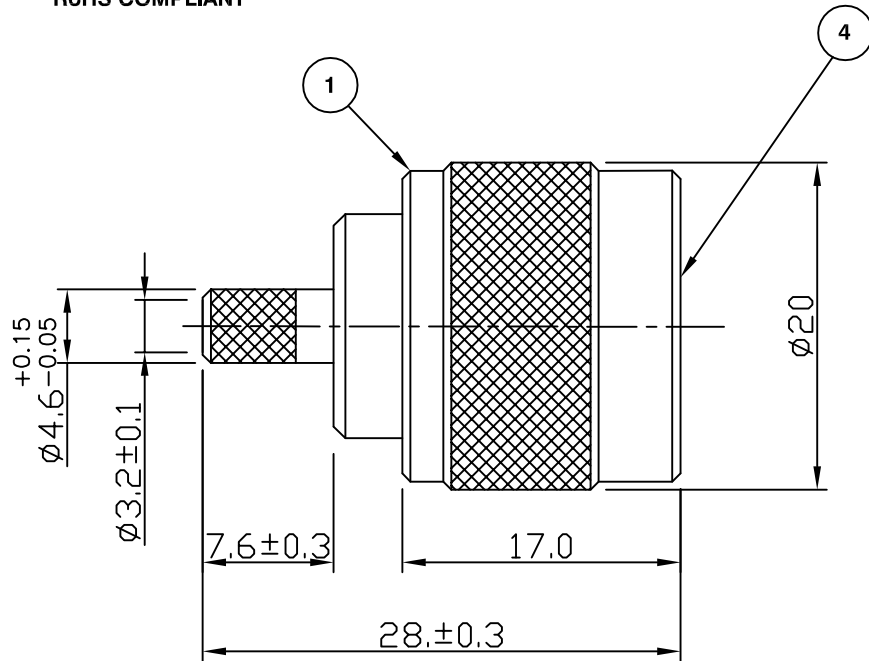
DRAWN BY:	S Nash
CHECKED BY:	S Nash
APPROVED BY:	M Nielsen
DATE:	29 Jan 02

TITLE:
**N Crimp Plug for RG142,
RG223, RG400**

PART NUMBER:
VN10-2050

PAGE: 1 of 1

RoHS COMPLIANT



Electrical Characteristics

Nominal Impedance:	50 ohms
Frequency Range:	DC to 11 GHz
VSWR:	1.3:1 maximum
Insertion Loss:	0.3 dB at 10 GHz
Operating Voltage (rms):	1000 V maximum at sea level
Dielectric Withstand Voltage (rms):	2500 V maximum at sea level
Contact Resistance:	1.0 milliohms maximum
Insulation Resistance:	5000 megohms minimum

Mechanical Characteristics

Mating Cycles:	500 cycles minimum
Interface Dimensions:	Conform to MIL-C-39012

Environmental Characteristics

Temperature Range:	-65 °C to +165 °C
--------------------	-------------------

PART	DESCRIPTION
1	Body Brass, nickel plated 2.54 μm
2	Ferrule Brass, nickel plated 2.54 μm
3	Contact Brass, gold plated 0.076 μm - 0.127 μm
4	Dielectric PTFE
5	Gasket Rubber

Strip & Crimp Details added	MS	3	11 Sep 09
CAD Issue	SN	2	29 Jan 02
First Issue	AT	1	02 Feb 95
DESCRIPTION OF REVISION	APPVD	ISS	DATE

For stripping and assembly instructions see Drawing Number: VAIN1101



Cinch Connectivity Solutions
7 - 13 Russell Way,
Widford Industrial Estate,
Chelmsford, Essex,
CM1 3AA, UK
Tel: +44 (0)1245 359515
Fax: +44 (0)1245 358938

SCALE: Not To Scale	DRAWN BY: S Nash
DIMENSIONS: mm	CHECKED BY: S Nash
TOLERANCES: ± 0.2mm unless otherwise stated	APPROVED BY: M Nielsen
DATE: 29 Jan 02	

TITLE:
**N Crimp Plug for RG142,
RG223, RG400**

PART NUMBER:
VN10-2050

PAGE: 1 of 1