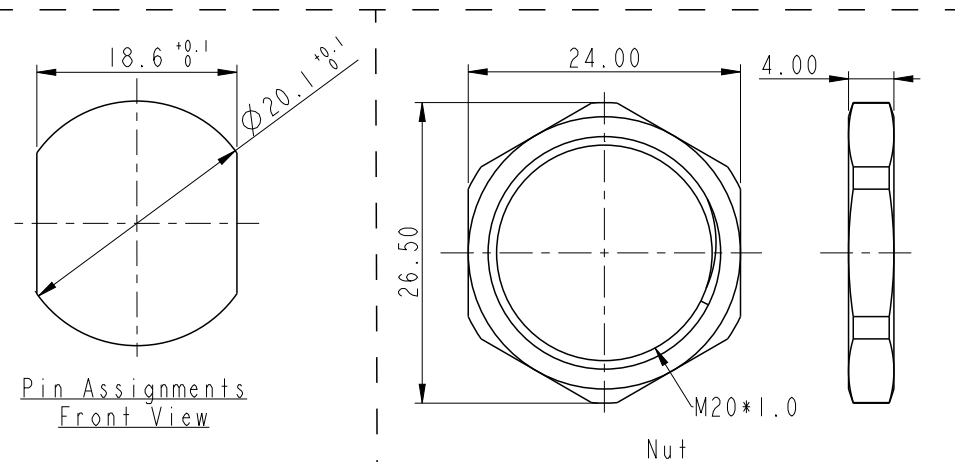
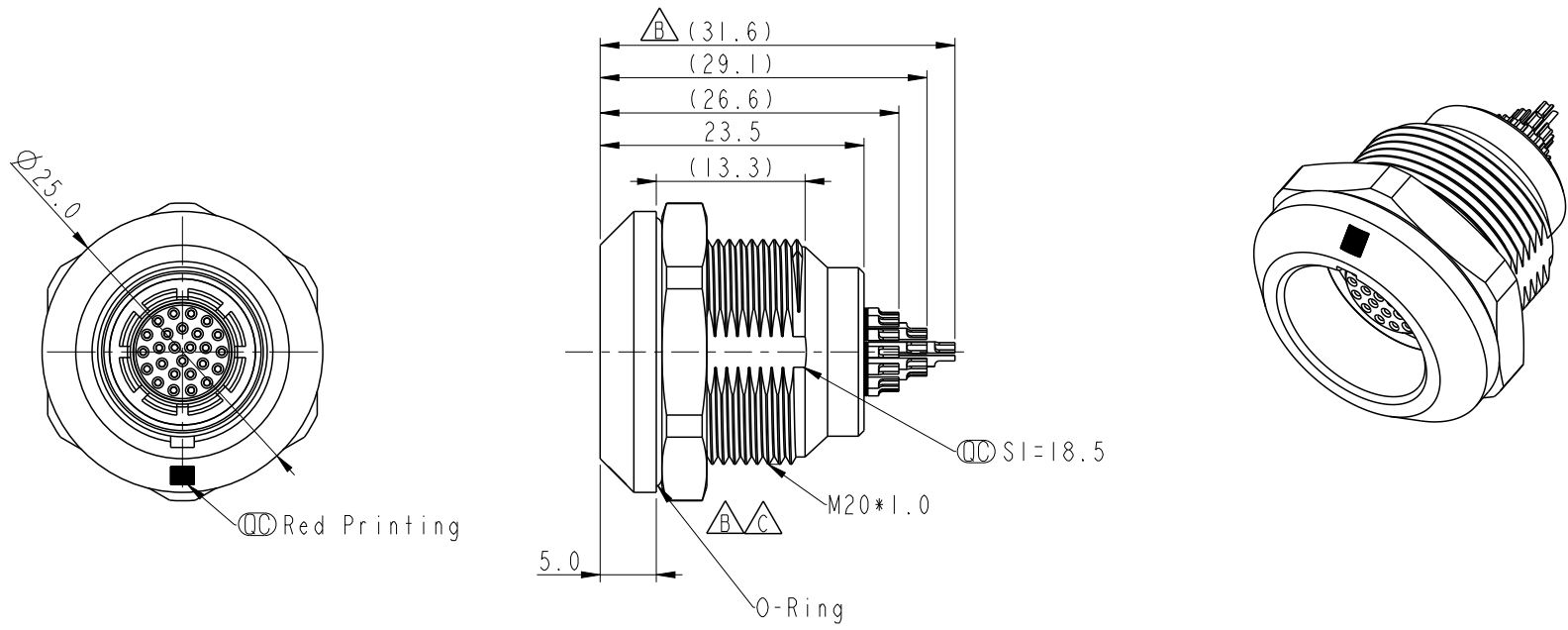


THIS DOCUMENT IS SUBJECT TO CHANGE WITHOUT NOTICE. IT IS CONFIDENTIAL AND A PROPERTY OF Amphenol LTW. DISCLOSURE TO THIRD PARTY HAS TO BE AUTHORIZED BY Amphenol LTW.

REV.	ECN NO.	DATE	SIGN	DESCRIPTION
A		2021/01/04	Wen	Rev.02 to Rev.A
B	C210409	2021/02/03	Wen	$\triangle B$ x4
C	C211405	2021/09/13	Wen	$\triangle C$ X2



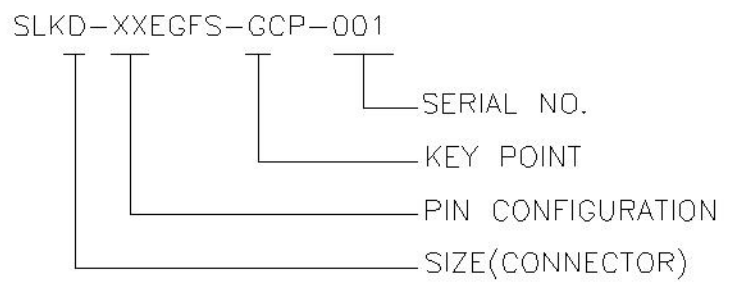
- Notes:
- * SI Important Dimensions To Check.
 - * $\triangle B$ Waterproof Rate: IPX8, Unmated 1m/24h
 - * Pin: Copper Alloy, Gold Plated.
 - * Housing: Thermoplastic, Black
 - * Shell: Metal
 - * Nut: Metal
 - * O-Ring: Rubber, Gray
 - * Use Panel Thickness Max: 8.0mm
 - * $\triangle C$ O-Ring and nut are assembled on connectors

UNIT: mm TOLERANCE ± 0.5 mm	TITLE FLO PLUS D SIZE,G CODE, PANEL CONNECTOR			Amphenol LTW 安費諾亮泰企業股份有限公司		ITEM NO	DRAWN BY Wen	DATE 2021/01/04
	SCALE 1:1	SIZE A4	SHEET 1 OF 2			DWG NO SLKD-XXEGFS-GCP-001	CHECKED BY Neo	DATE 2021/01/04
	REV. C	WC-REV. .0	SI : Inspection item	CUSTOMER ALTW	APPROVED BY Max	DATE 2021/01/04		

THIS DOCUMENT IS SUBJECT TO CHANGE WITHOUT NOTICE. IT IS CONFIDENTIAL AND A PROPERTY OF Amphenol LTW. DISCLOSURE TO THIRD PARTY HAS TO BE AUTHORIZED BY Amphenol LTW.

1 2 3 4 5 6 7 8

KEY POINT	
CODE	G
GRAPHIC	



PIN CONFIGURATION (Solder Definition)

GRAPHIC							
	2 PIN	3 PIN	4 PIN	5 PIN	6 PIN	7 PIN	8 PIN
GRAPHIC							
	10 PIN	12 PIN	14 PIN	16 PIN	18 PIN	19 PIN	26 PIN

UNIT:mm		TITLE
TOLERANCE	±0.5mm	FLO PLUS D SIZE,G CODE, PANEL CONNECTOR
SCALE	1:1	SIZE
REV.	C	WC-REV.
		SHEET
		OF
		2
		2
		②: Inspection item

Amphenol LTW
安費諾亮泰企業股份有限公司

ITEM NO	DRAWN BY	DATE
DWG NO	Wen	2021/01/04
CUSTOMER	CHECKED BY	DATE
ALTW	Neo	2021/01/04
	APPROVED BY	DATE
	Max	2021/01/04

1 2 3 4 5 6 7 8 W10814-03-EM01A2